



## **HPE G2 Metered Power Distribution Units (PDU)**

**Secure, intelligent, and flexible power distribution is foundational to a safer and more efficient datacenter. HPE G2 Metered PDU solutions get power where it needs to go, when it needs to get there -- and give you the data you need to make informed management decisions along the way.**

**HPE G2 Metered PDUs are designed to work precisely with HPE Infrastructure and Compute solutions. Designed for use with HPE Standard, Advanced, and Enterprise racks (and compatible with other industry-standard server racks), HPE G2 Metered PDUs guaranty a compatible fit and reliable operation backed by a 3 year warranty. Built with high-temperature grade premium components, our G2 PDUs can operate reliably in operating temperatures up to 60°C over extended periods of time.**

**For more information visit us at: [hpe.com/info/rackandpower](https://hpe.com/info/rackandpower)**

**G2 Metered PDUs**

---

**100-120V Input, Single Phase, North America/Japan**

---

**P9R45A**

---

**P9R46A**

---

**P9R48A**

---

**P9R49A**

---

**100-240V Input, Single Phase, Worldwide**

---

**P9R50A**

---

**200-208V Input, Single Phase, North America/  
Japan**

---

**P9R51A**

---

**P9R52A**

---

**P9R53A**

---

**P9R57A**

---

**P9R77A**

---

**200-208V Input, Three Phase, North America/  
Japan**

---

**P9R58A**

---

**P9R59A**

---

**P9R78A**

---

**P9R60A**

---

**G2 Metered PDUs**

---

**200-208V Input, Three Phase, North America/  
Japan (cont.)**

---

**P9R80A**

---

**P9R82A**

---

**P9R83A**

---

**P9R86A**

---

**220-240V Input, Single Phase, International**

---

**P9R54A**

---

**P9R55A**

---

**P9R56A**

---

**200-240V Input, Three Phase, International**

---

**P9R61A**

---

**P9R79A**

---

**P9R81A**

---

**P9R84A**

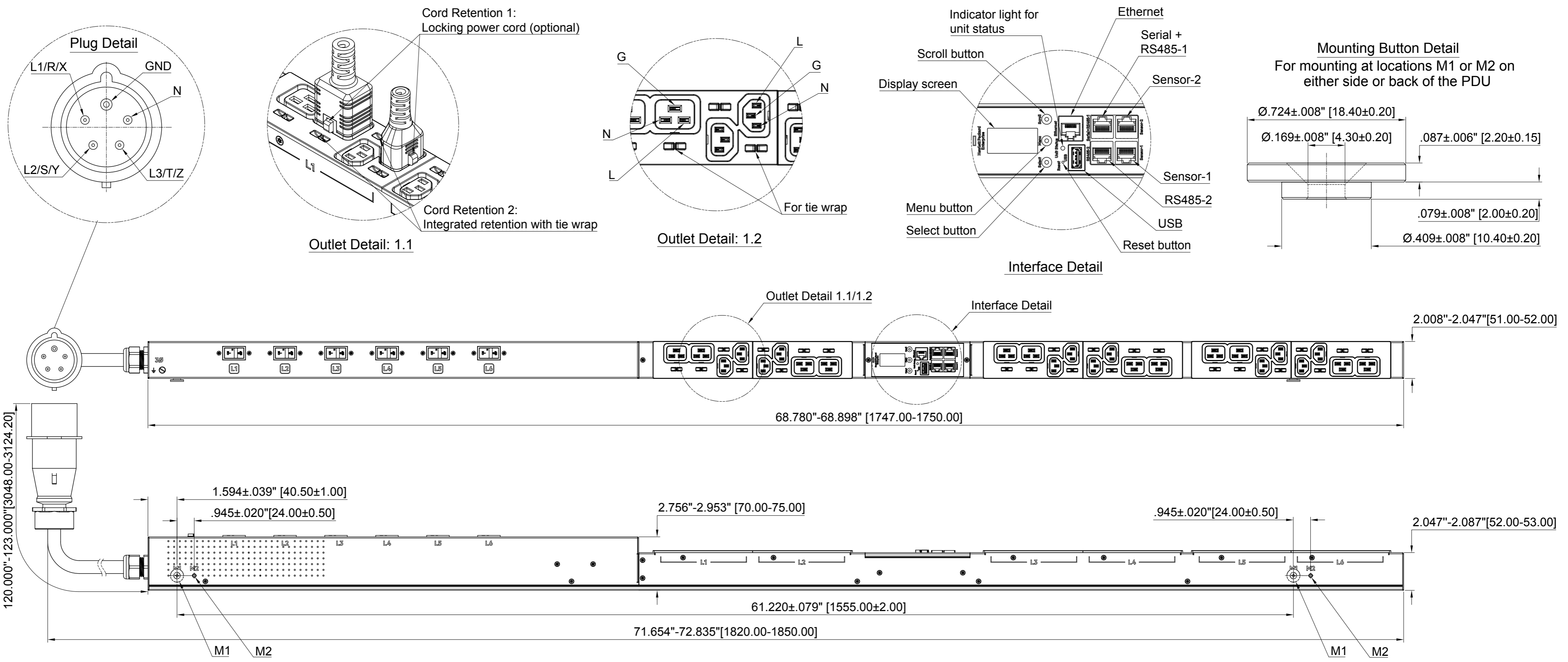
---

**P9R85A**

---

**P9R87A**

---



## Product Information

### Input Ratings

Nominal Voltage	230VAC, 3-Ph, 50/60Hz
Input Plug	IEC 60309 32A 5-wire
Cord Type/Length	H07RNF5G6/10'
Current Rating	32A
Power Rating (kVA)	22.08 kVA

### Output Ratings

Nominal Voltage	230VAC, 50/60Hz
Current Rating	32A
Current/Breaker	16A

### Outlet Configuration

Total Outlets	(12) C13, (12) C19
Outlets/Load Segment	(2) C19, (2) C19
Branch Circuit Protection	(6) 1-Pole 16A UL 489 Breaker

### Features

Cord Retention 1	Locking power cord (optional)
Cord Retention 2	Integrated retention with tie wrap
Mounting Option	Vertical (0U)
Mounting Hardware	Included

### Environmental Conditions

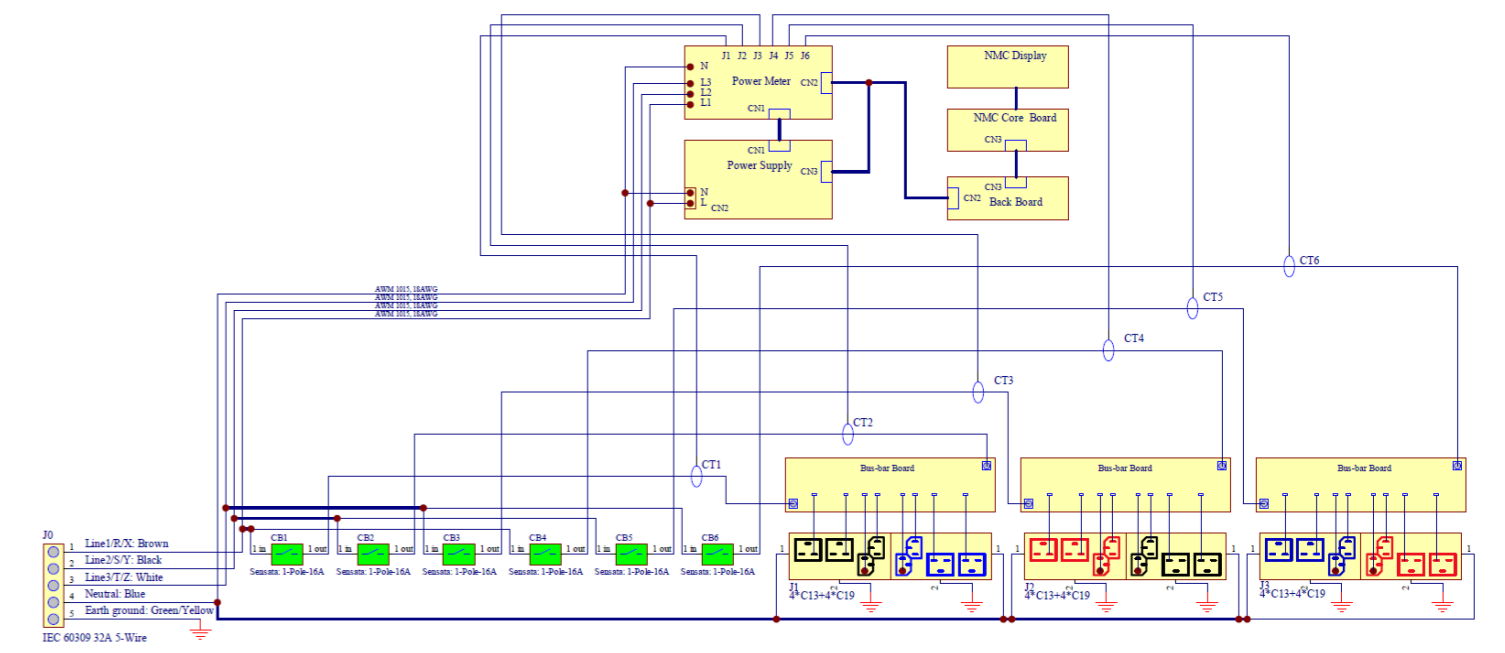
Operating Temperature	50-140°F (10-60°C)
Operating Rel Humidity	10-90%
Operating Elevation	0-10000ft (0-3000m)

### Regulatory Information

CE, DEMKO, EAC, KC, KCC, ACMA

### Unit Weight

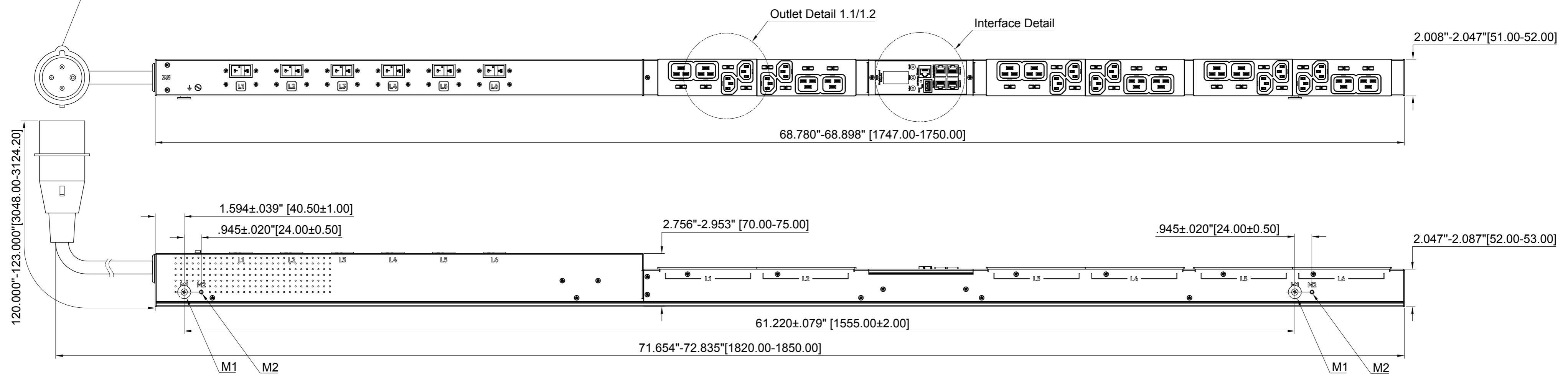
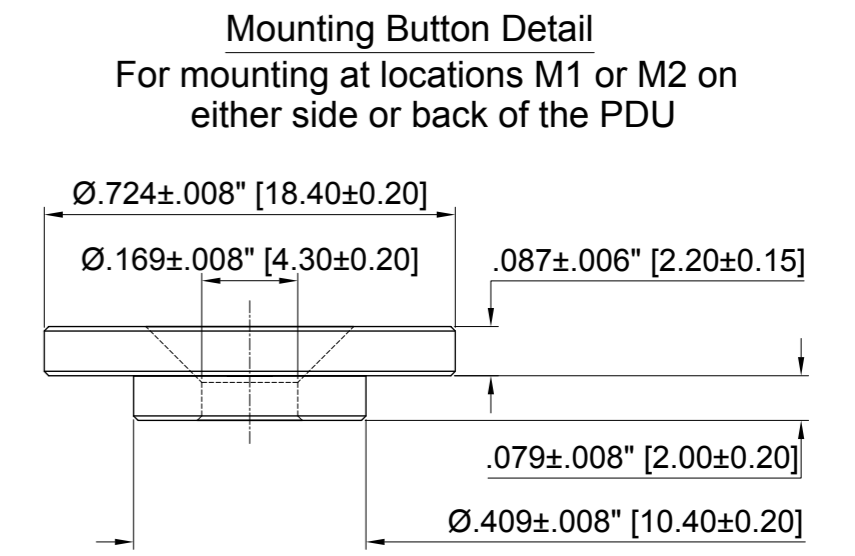
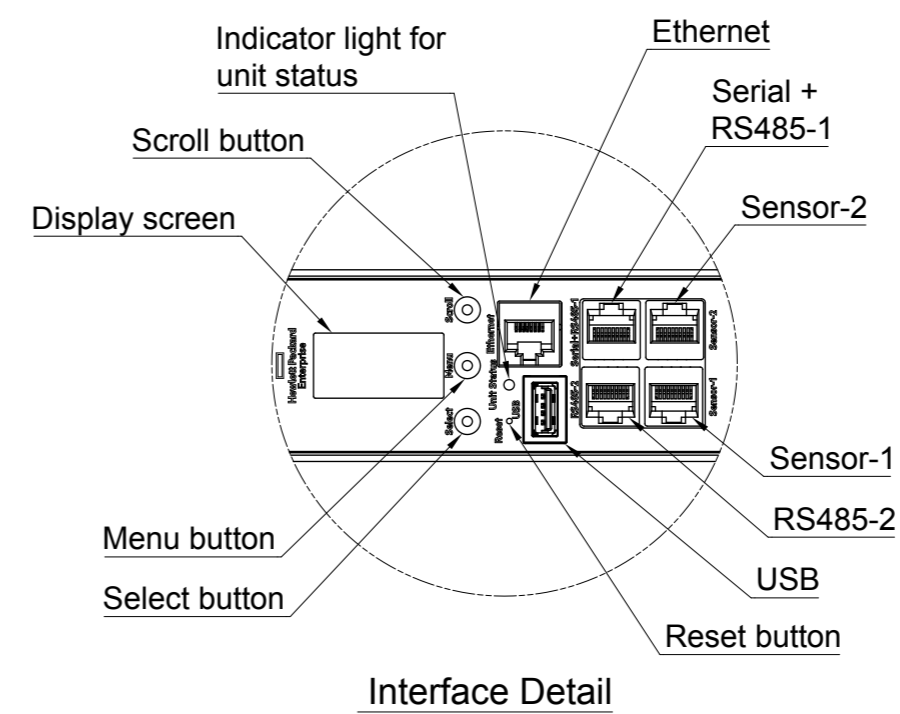
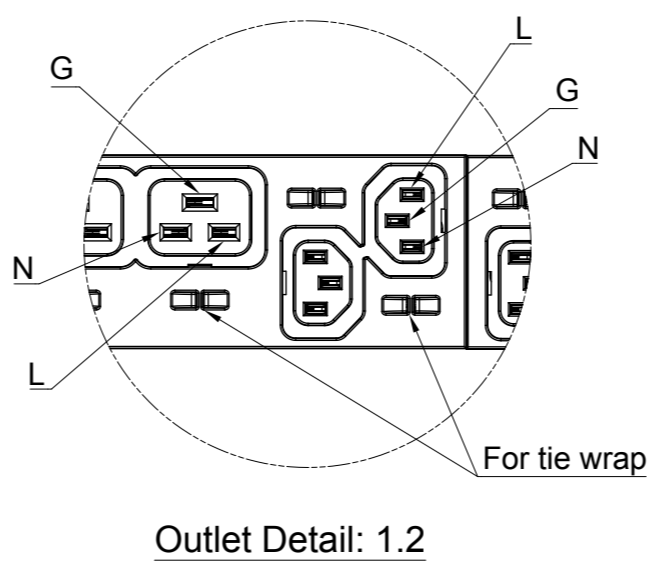
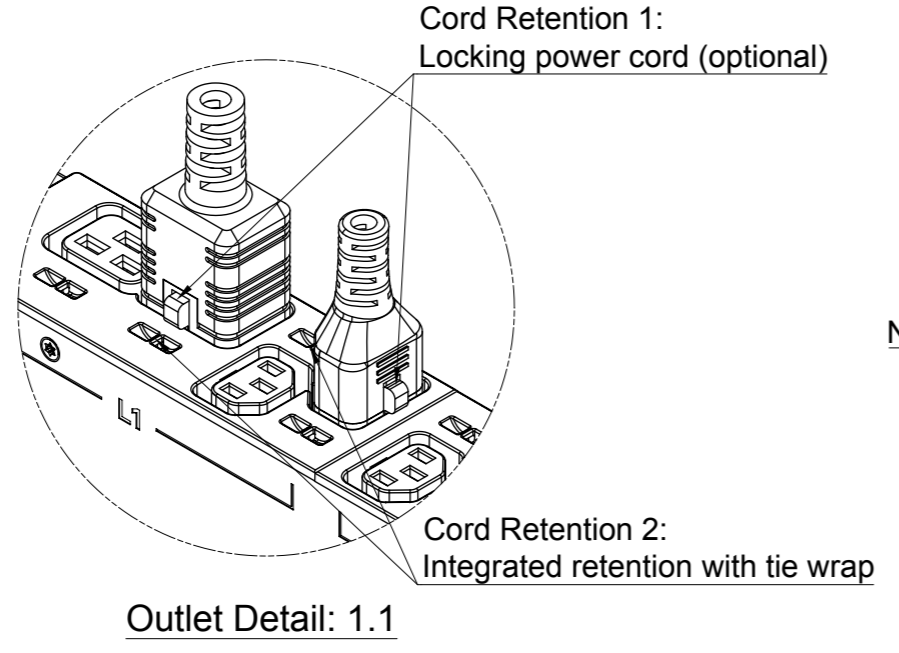
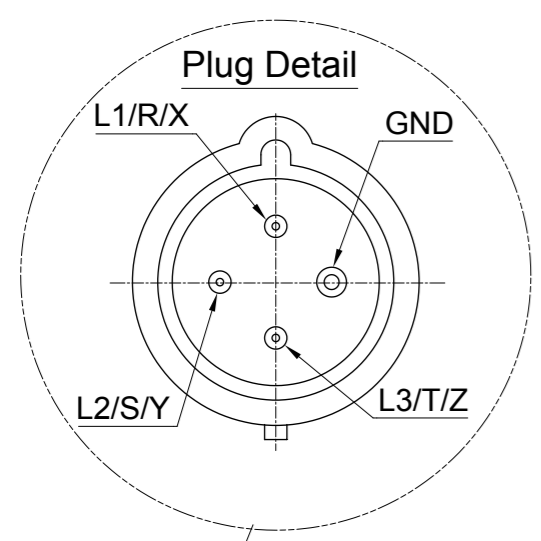
Weight 16.2lbs (7.3kg)



Wiring Scheme

PDU Classification	Metered
Part Number	P9R87A
Specification Number	866833-A





**Product Information**

**Input Ratings**  
 Nominal Voltage 208VAC, 3-Ph, 50/60Hz  
 Input Plug IEC 60309 60A 4-wire  
 Cord Type/Length Type W; 90°C; 2000V; 6AWG; 4C/10'  
 Current Rating 48A (Derated)  
 Power Rating (kVA) 17.293 kVA

**Output Ratings**  
 Nominal Voltage 208VAC, 50/60Hz  
 Current Rating 48A  
 Current/Breaker 16A (Derated)

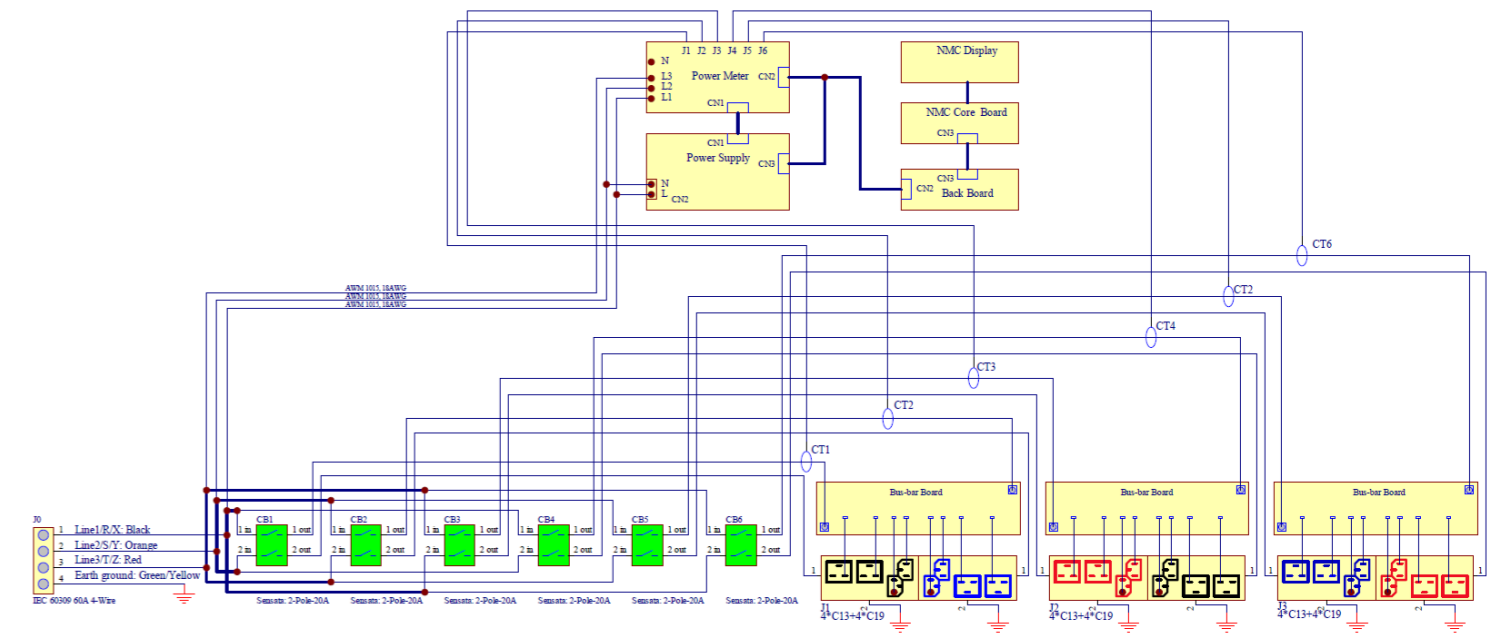
**Outlet Configuration**  
 Total Outlets (12) C13, (12) C19  
 Outlets/Load Segment (2) C13, (2) C19  
 Branch Circuit Protection (6) 2-Pole 20A UL 489 Breaker

**Features**  
 Cord Retention 1 Locking power cord (optional)  
 Cord Retention 2 Integrated retention with tie wrap  
 Mounting Option Vertical (0U)  
 Mounting Hardware Included

**Environmental Conditions**  
 Operating Temperature 50-140°F (10-60°C)  
 Operating Rel Humidity 10-90%  
 Operating Elevation 0-10000ft (0-3000m)

**Regulatory Information**  
 UL or CSA, CB Test+ FCC, ICES, VCCI

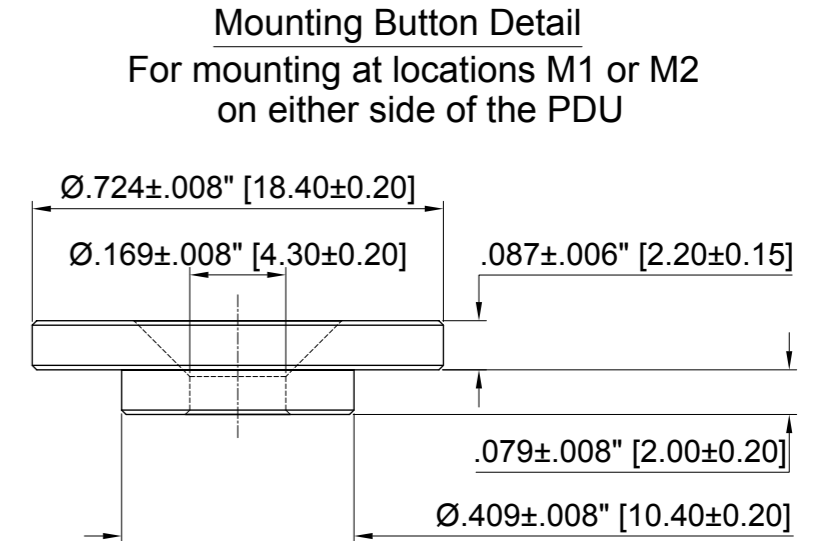
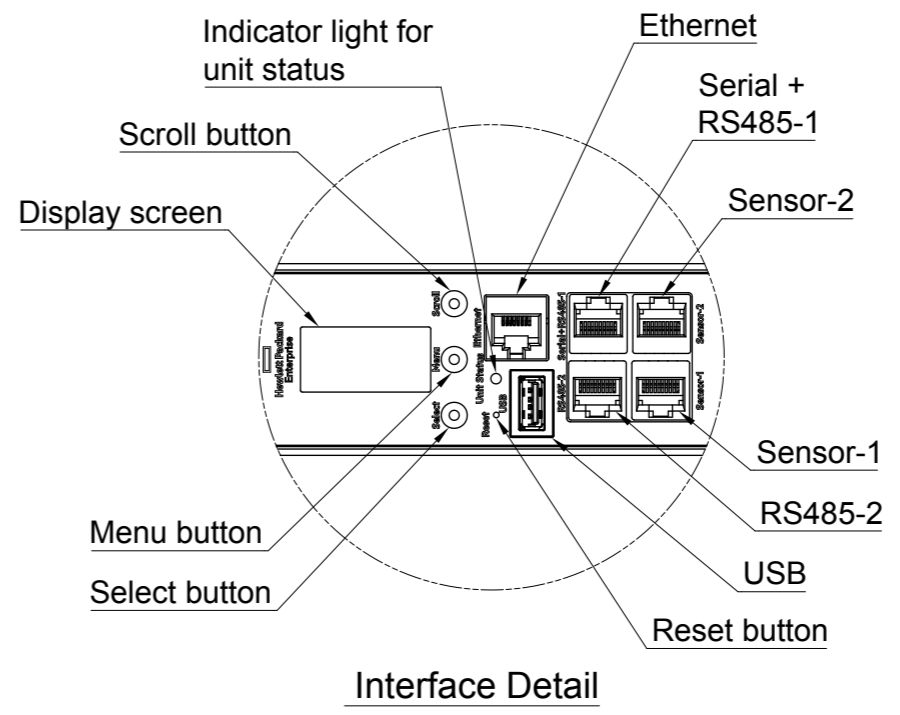
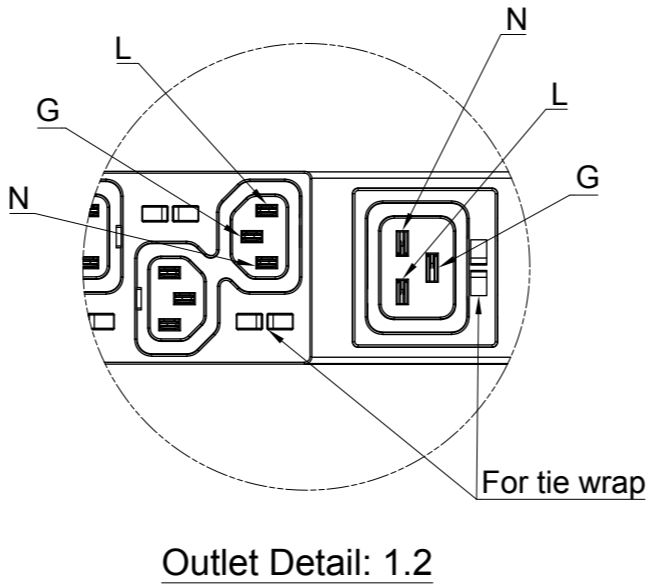
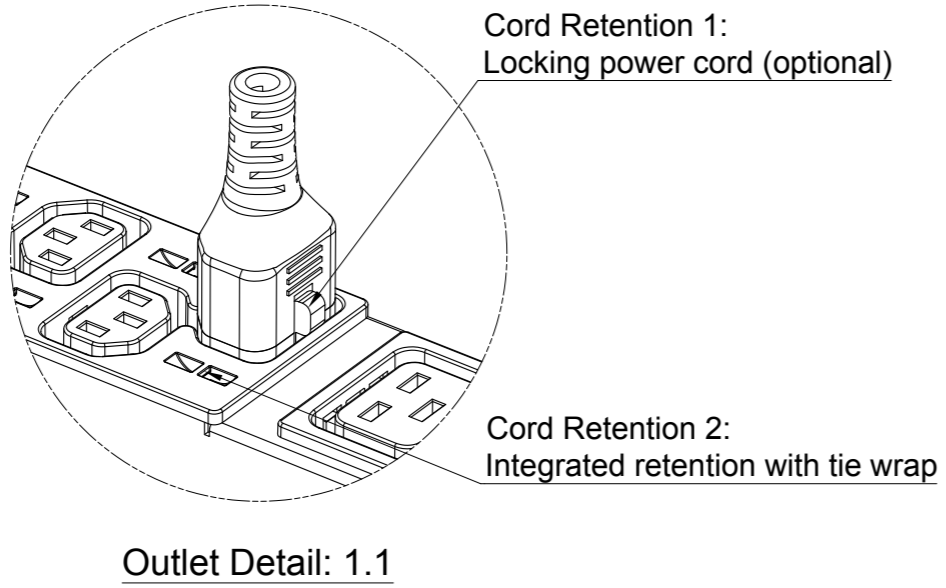
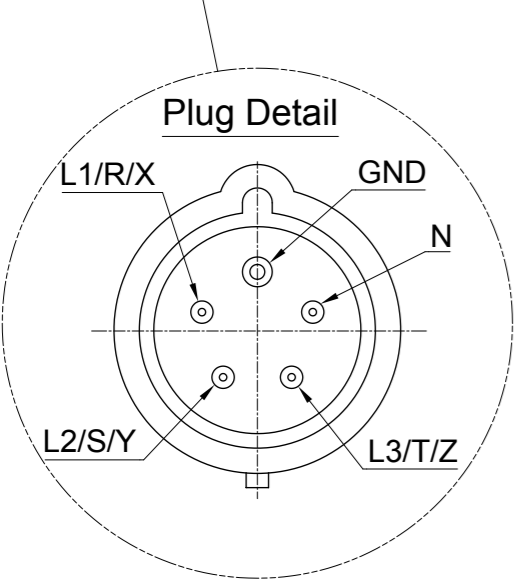
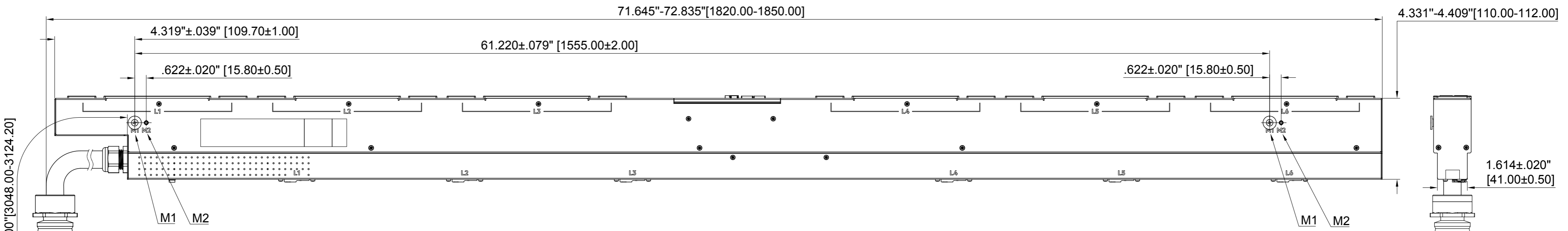
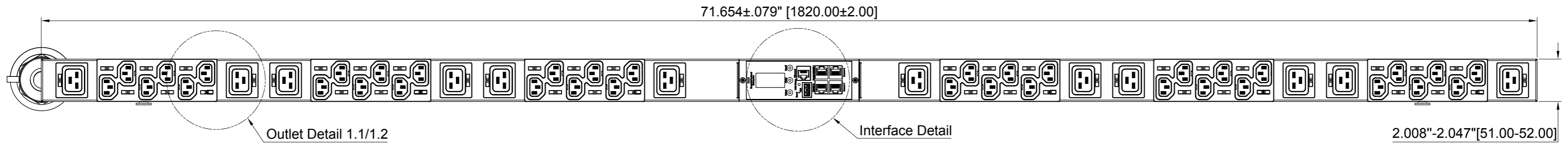
**Unit Weight**  
 Weight 24.8lbs (11.2kg)



Wiring Scheme

PDU Classification	Metered
Part Number	P9R86A
Specification Number	866833-A





**Product Information**

**Input Ratings**

Nominal Voltage 230VAC, 3-Ph, 50/60Hz

Input Plug IEC 60309 32A 5-wire

Cord Type/Length H07RNF5G6/10'

Current Rating 32A

Power Rating (kVA) 22.08 kVA

**Output Ratings**

Nominal Voltage 230VAC, 50/60Hz

Current Rating 32A

Current/Breaker 16A

**Outlet Configuration**

Total Outlets (36) C13, (12) C19

Outlets/Load Segment (6) C19, (2) C13

Branch Circuit Protection (6) 1-Pole 16A UL 489 Breaker

**Features**

Cord Retention 1 Locking power cord (optional)

Cord Retention 2 Integrated retention with tie wrap

Mounting Option Vertical (0U) side mount only

Mounting Hardware Included

**Environmental Conditions**

Operating Temperature 50-140°F (10-60°C)

Operating Rel Humidity 10-90%

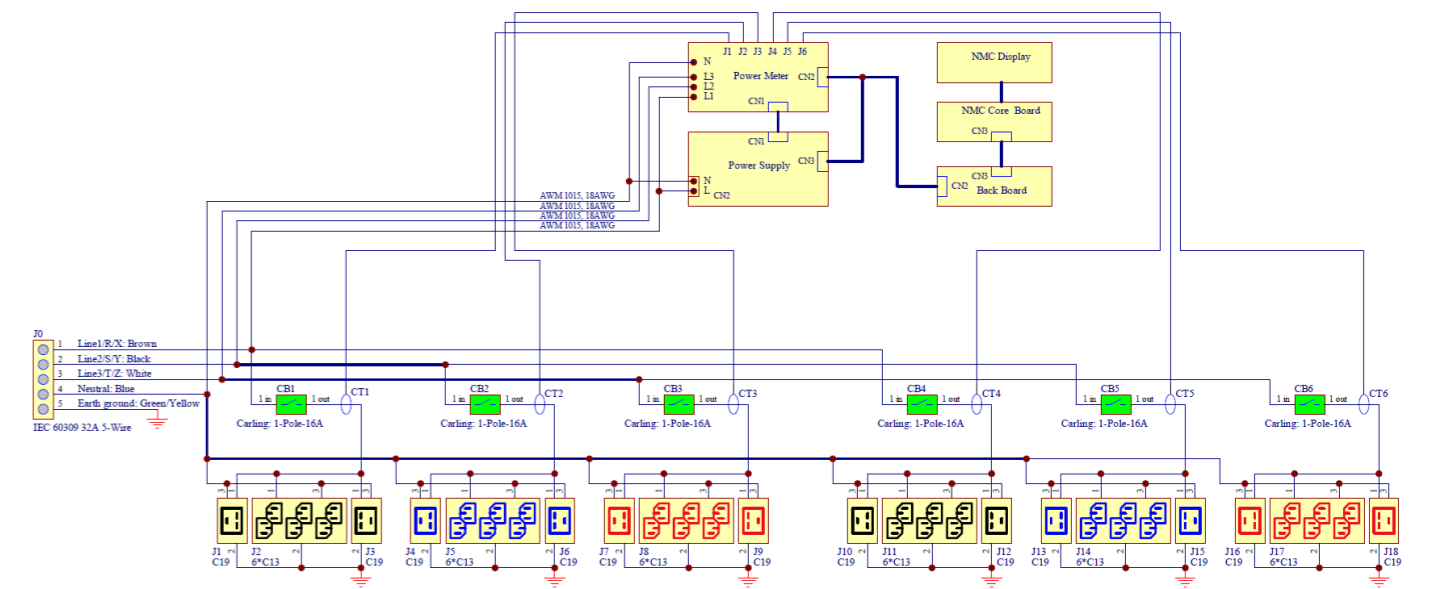
Operating Elevation 0-10000ft (0-3000m)

**Regulatory Information**

CE, DEMKO, EAC, KC, KCC, ACMA

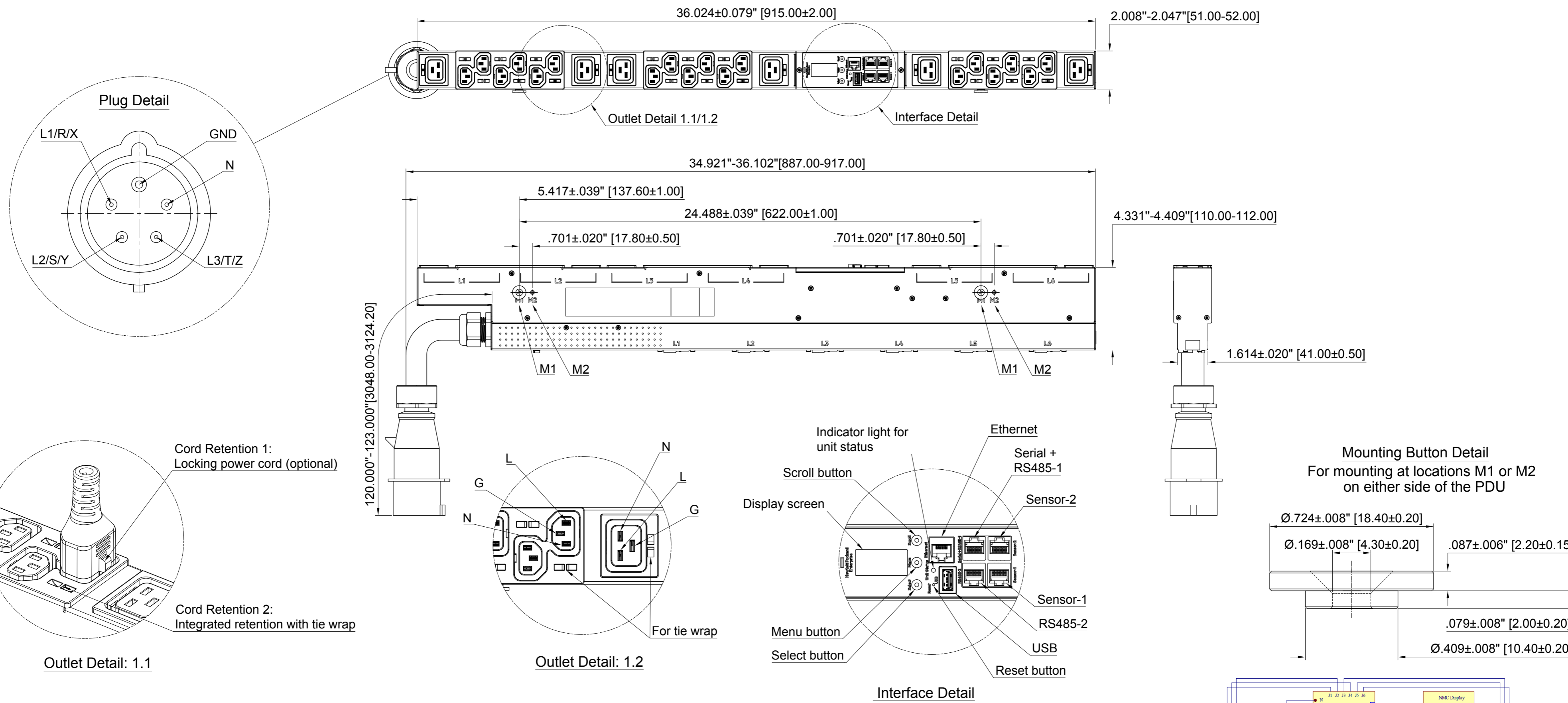
**Unit Weight**

Weight 23.6lbs (10.7kg)



PDU Classification	Metered
Part Number	P9R85A
Specification Number	866833-A





## Product Information

### Input Ratings

Nominal Voltage	230VAC, 3-Ph, 50/60Hz
Input Plug	IEC 60309 32A 5-wire
Cord Type/Length	H07RNF5G6/10'
Current Rating	32A
Power Rating (kVA)	22.08 kVA

### Output Ratings

Nominal Voltage	230VAC, 50/60Hz
Current Rating	32A
Current/Breaker	16A

### Outlet Configuration

Total Outlets	(18) C13, (6) C19
Outlets/Load Segment	(3) C19, (1) C19
Branch Circuit Protection	(6) 1-Pole 16A UL 489 Breaker

### Features

Cord Retention 1	Locking power cord (optional)
Cord Retention 2	Integrated retention with tie wrap
Mounting Option	Vertical (0U) side mount only
Mounting Hardware	Included

### Environmental Conditions

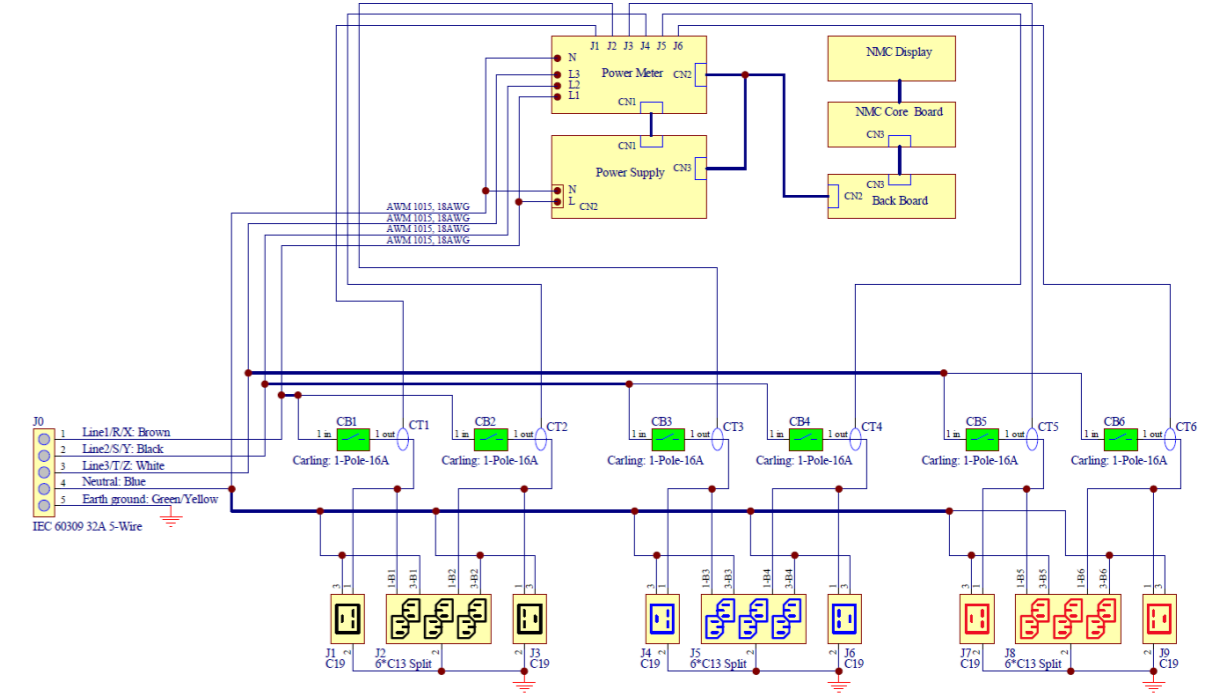
Operating Temperature	50-140°F (10-60°C)
Operating Rel Humidity	10-90%
Operating Elevation	0-10000ft (0-3000m)

### Regulatory Information

CE, DEMKO, EAC, KC, KCC, ACMA

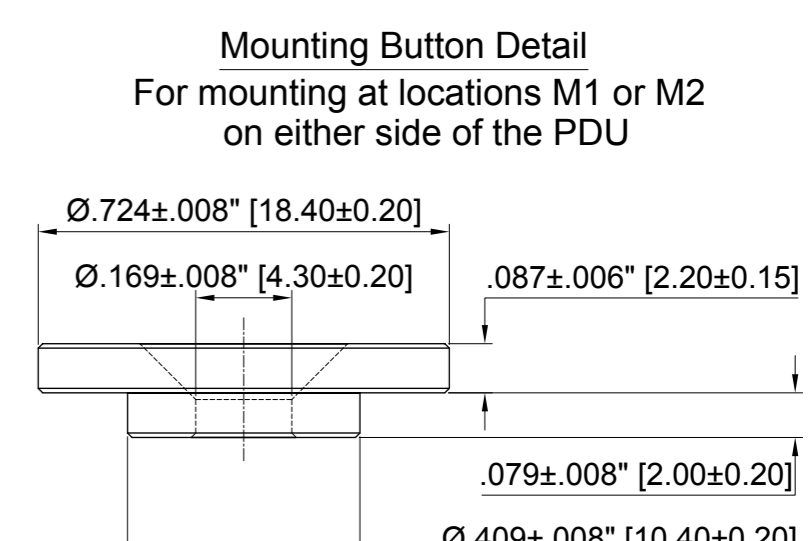
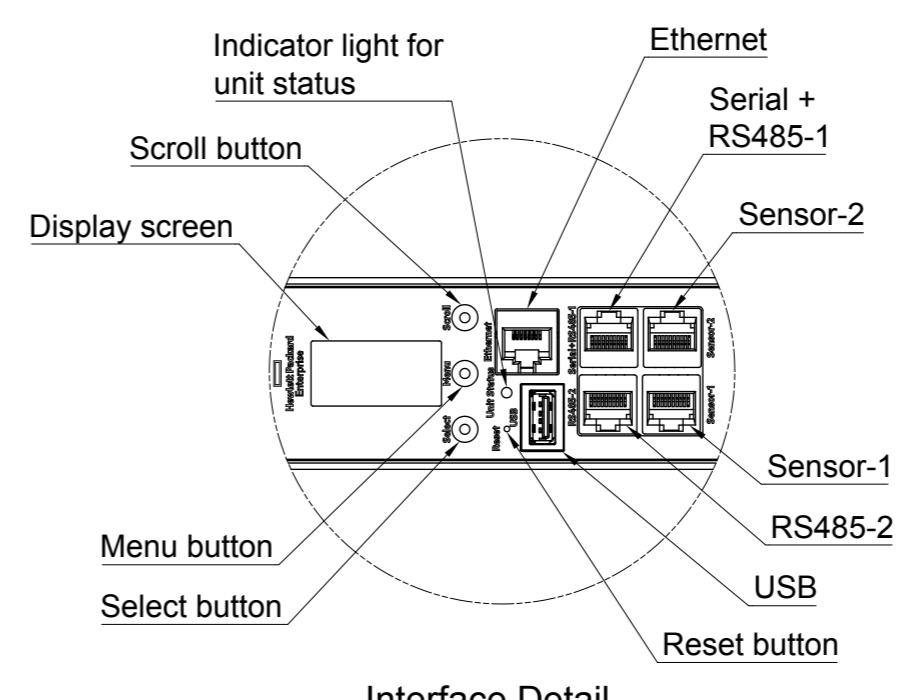
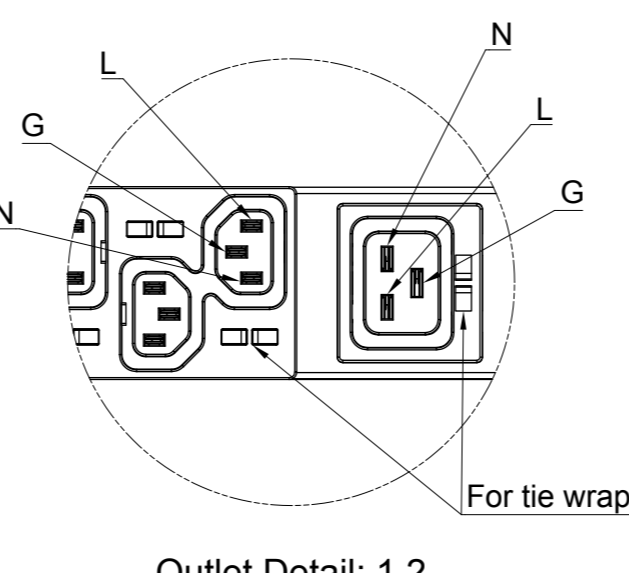
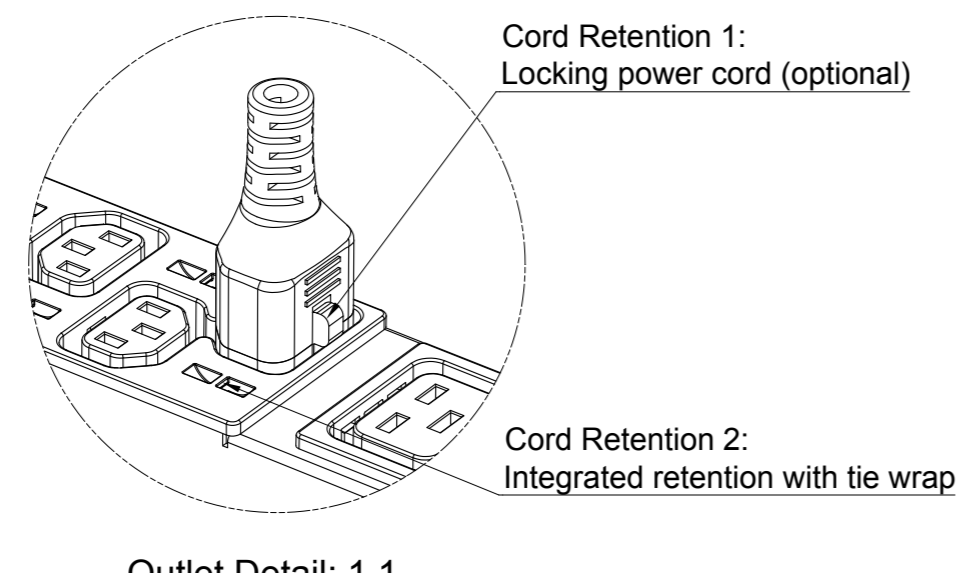
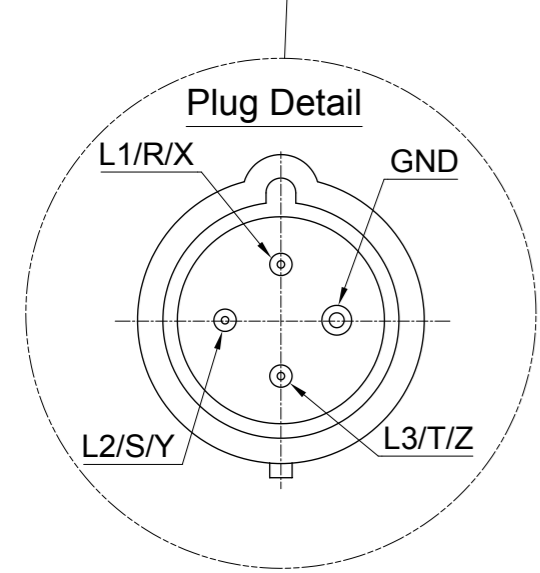
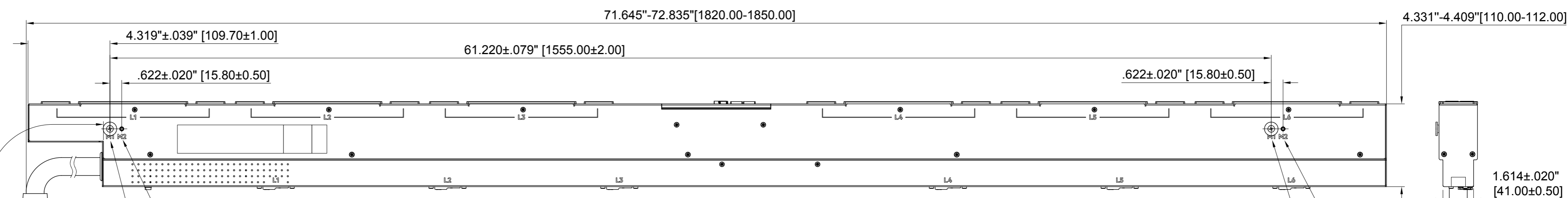
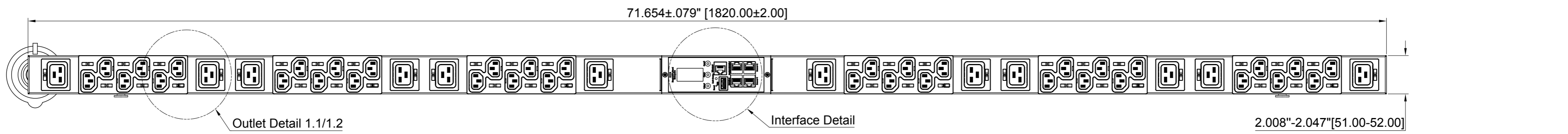
### Unit Weight

Weight	14.2lbs (6.4kg)
--------	-----------------



PDU Classification	Metered
Part Number	P9R84A
Specification Number	866833-A





## Product Information

Input Ratings	
Nominal Voltage	208VAC, 3-Ph, 50/60Hz
Input Plug	IEC 60309 60A 4-wire
Cord Type/Length	Type W; 90°C; 2000V; 6AWG; 4C/10'
Current Rating	48A (Derated)
Power Rating (kVA)	17.293 kVA

Output Ratings	
Nominal Voltage	208VAC, 50/60Hz
Current Rating	48A
Current/Breaker	16A (Derated)

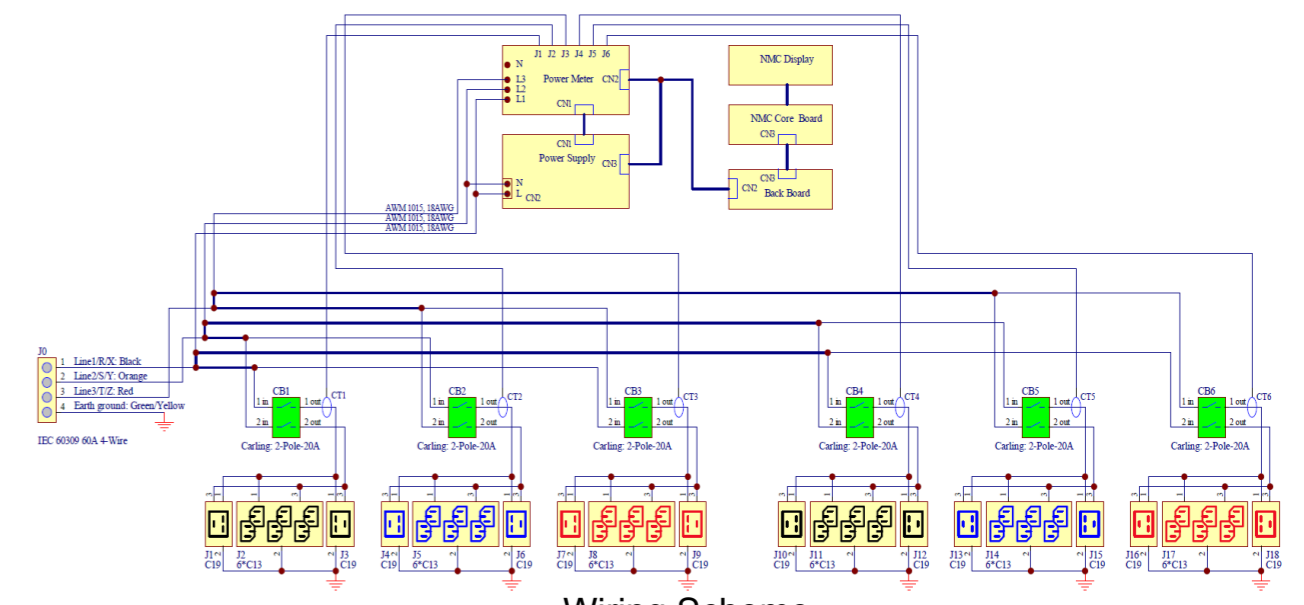
Outlet Configuration	
Total Outlets	(36) C13, (12) C19
Outlets/Load Segment	(6) C13, (2) C19
Branch Circuit Protection	(6) 2-Pole 20A UL 489 Breaker

Features	
Cord Retention 1	Locking power cord (optional)
Cord Retention 2	Integrated retention with tie wrap
Mounting Option	Vertical (0U) side mount only
Mounting Hardware	Included

Environmental Conditions	
Operating Temperature	50-140°F (10-60°C)
Operating Rel Humidity	10-90%
Operating Elevation	0-10000ft (0-3000m)

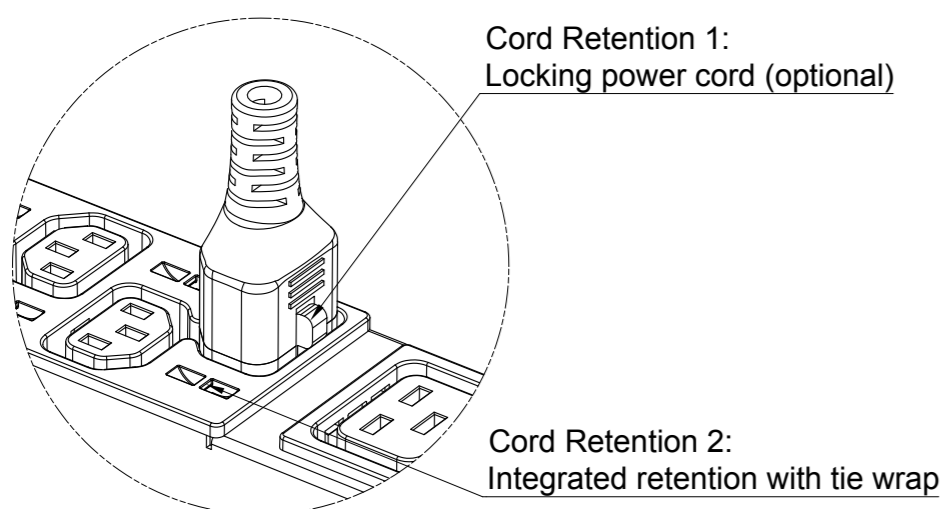
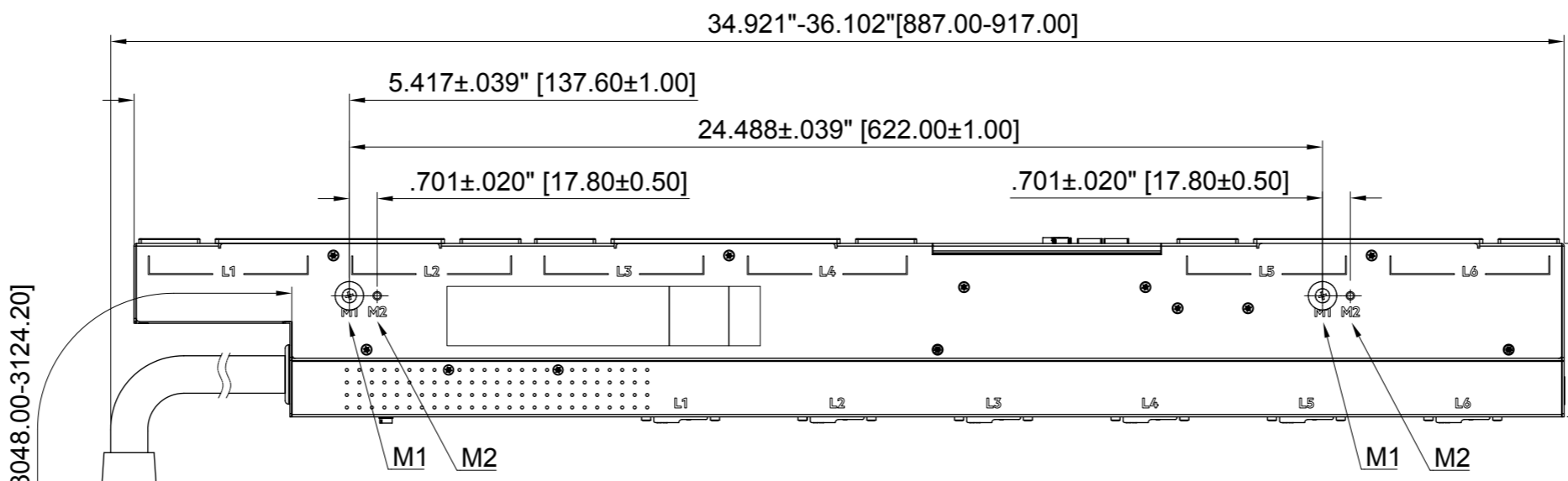
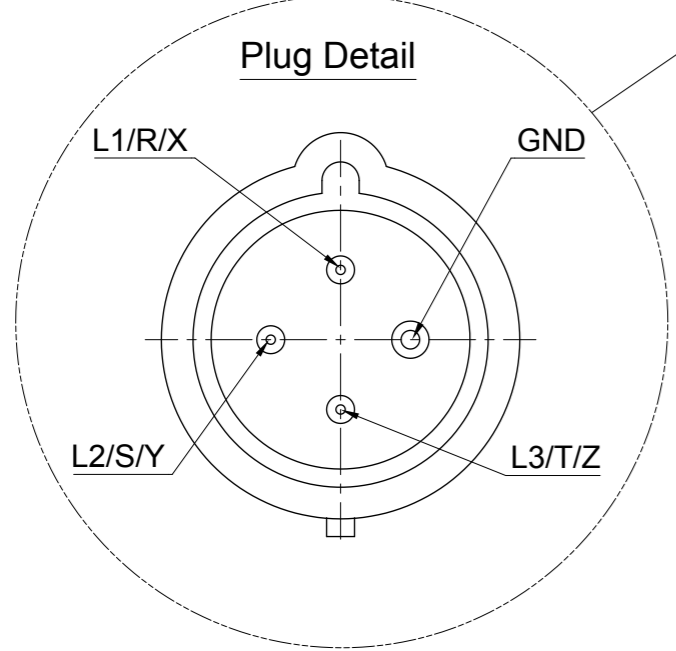
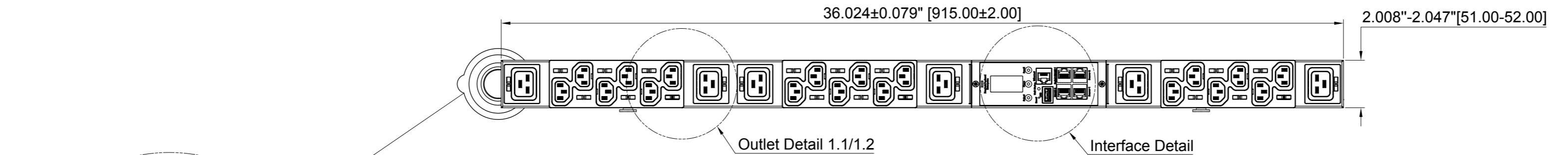
Regulatory Information	
UL or CSA, CB test+ FCC, ICES, VCCI	

Unit Weight	
Weight	31.0lbs (14.1kg)

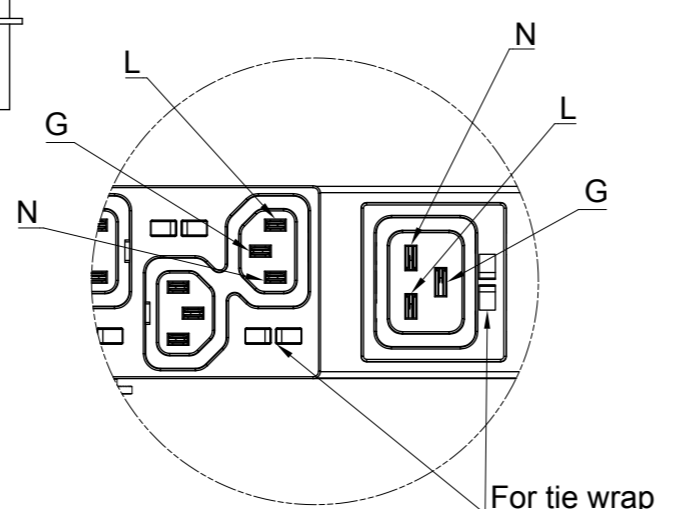


PDU Classification	Metered
Part Number	P9R83A
Specification Number	866833-A

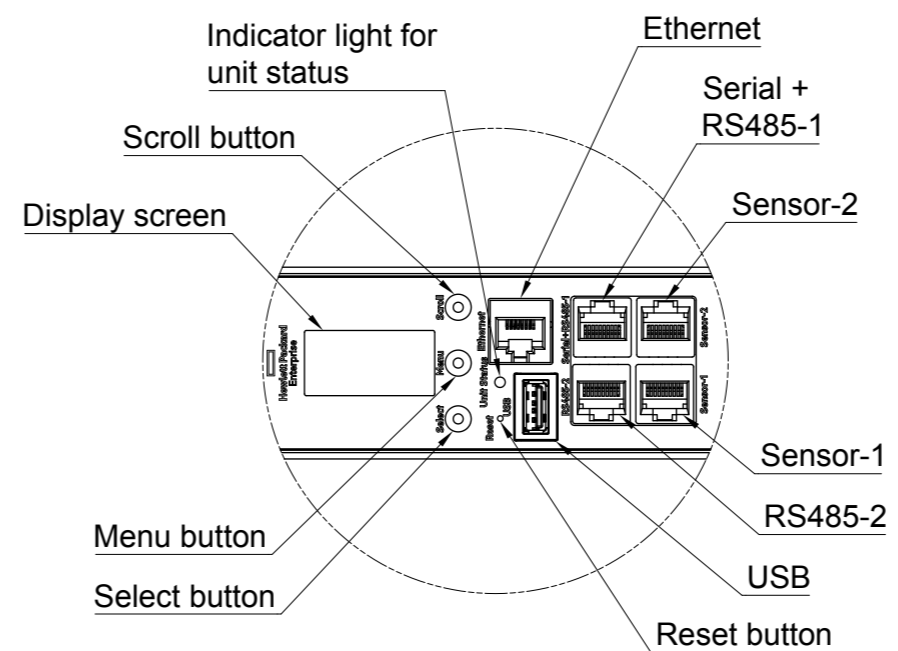
**Hewlett Packard Enterprise**



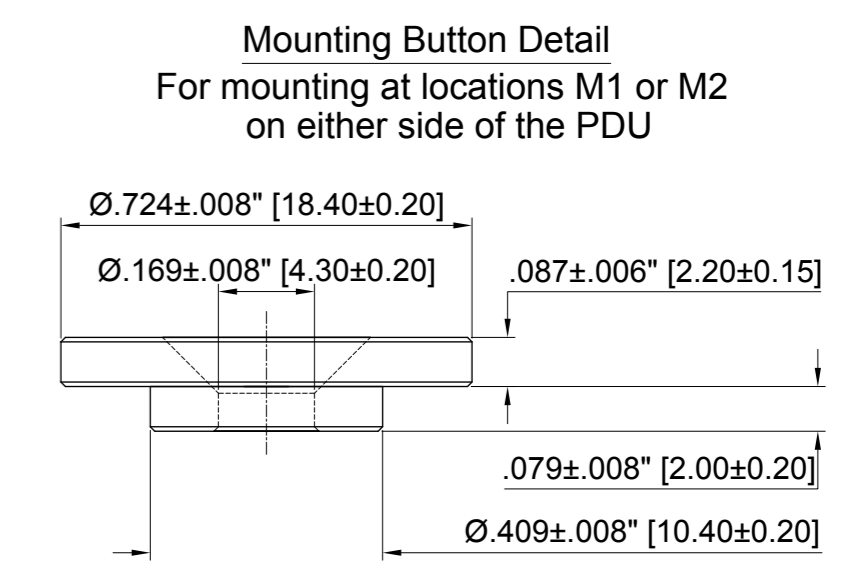
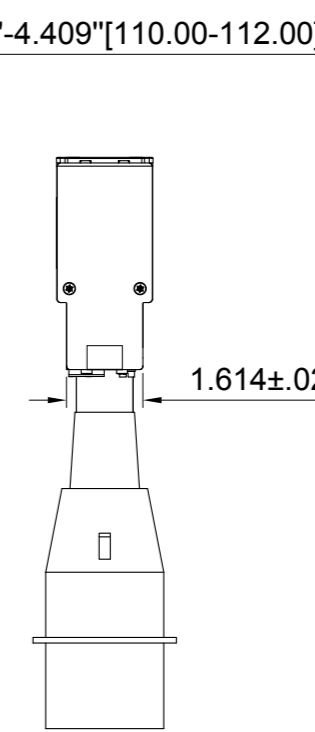
Outlet Detail: 1.1



Outlet Detail: 1.2



Interface Detail



Mounting Button Detail  
For mounting at locations M1 or M2  
on either side of the PDU

## Product Information

### Input Ratings

Nominal Voltage	208VAC, 3-Ph, 50/60Hz
Input Plug	IEC 60309 60A 4-wire
Cord Type/Length	Type W; 90°C; 2000V; 6AWG; 4C/10'
Current Rating	48A (Derated)
Power Rating (kVA)	17.293 kVA

### Output Ratings

Nominal Voltage	208VAC, 50/60Hz
Current Rating	48A
Current/Breaker	16A (Derated)

### Outlet Configuration

Total Outlets	(18) C13, (6) C19
Outlets/Load Segment	(3) C13, (1) C19
Branch Circuit Protection	(6) 2-Pole 20A UL 489 Breaker

### Features

Cord Retention 1	Locking power cord (optional)
Cord Retention 2	Integrated retention with tie wrap
Mounting Option	Vertical (0U) side mount only
Mounting Hardware	Included

### Environmental Conditions

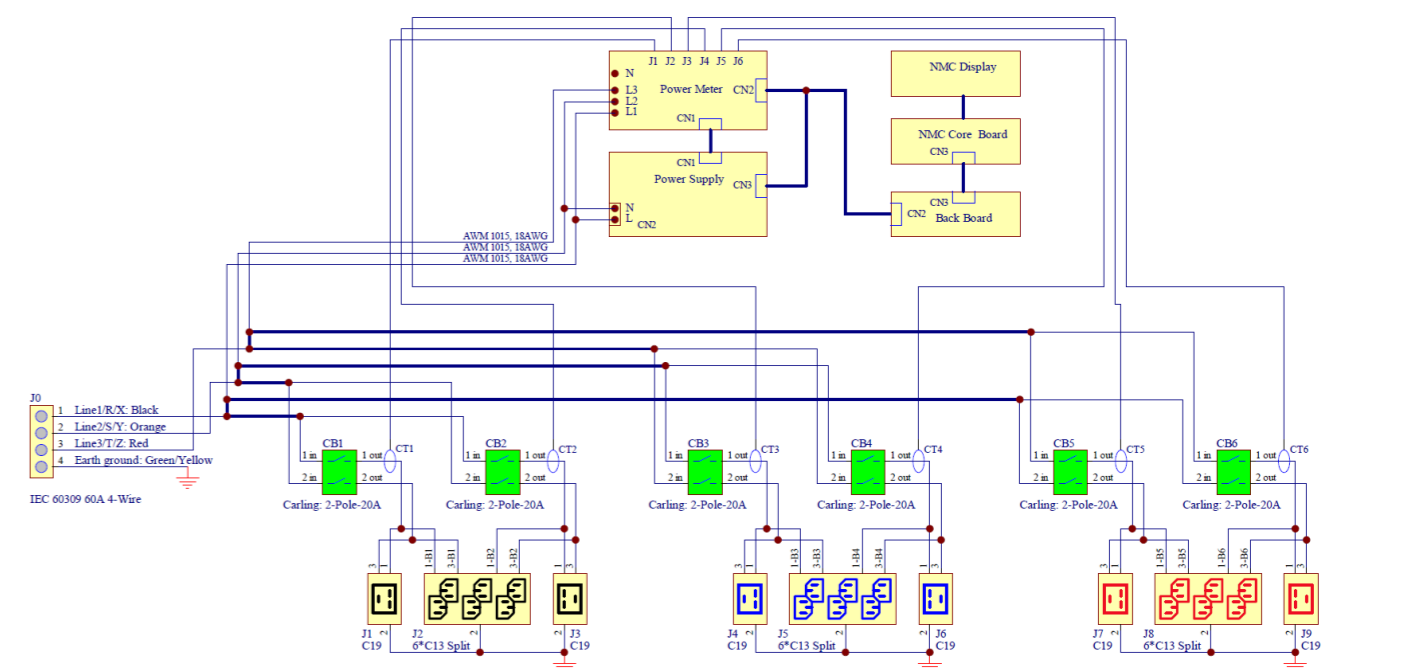
Operating Temperature	50-140°F (10-60°C)
Operating Rel Humidity	10-90%
Operating Elevation	0-10000ft (0-3000m)

### Regulatory Information

UL or CSA, CB test+ FCC, ICES, VCCI

### Unit Weight

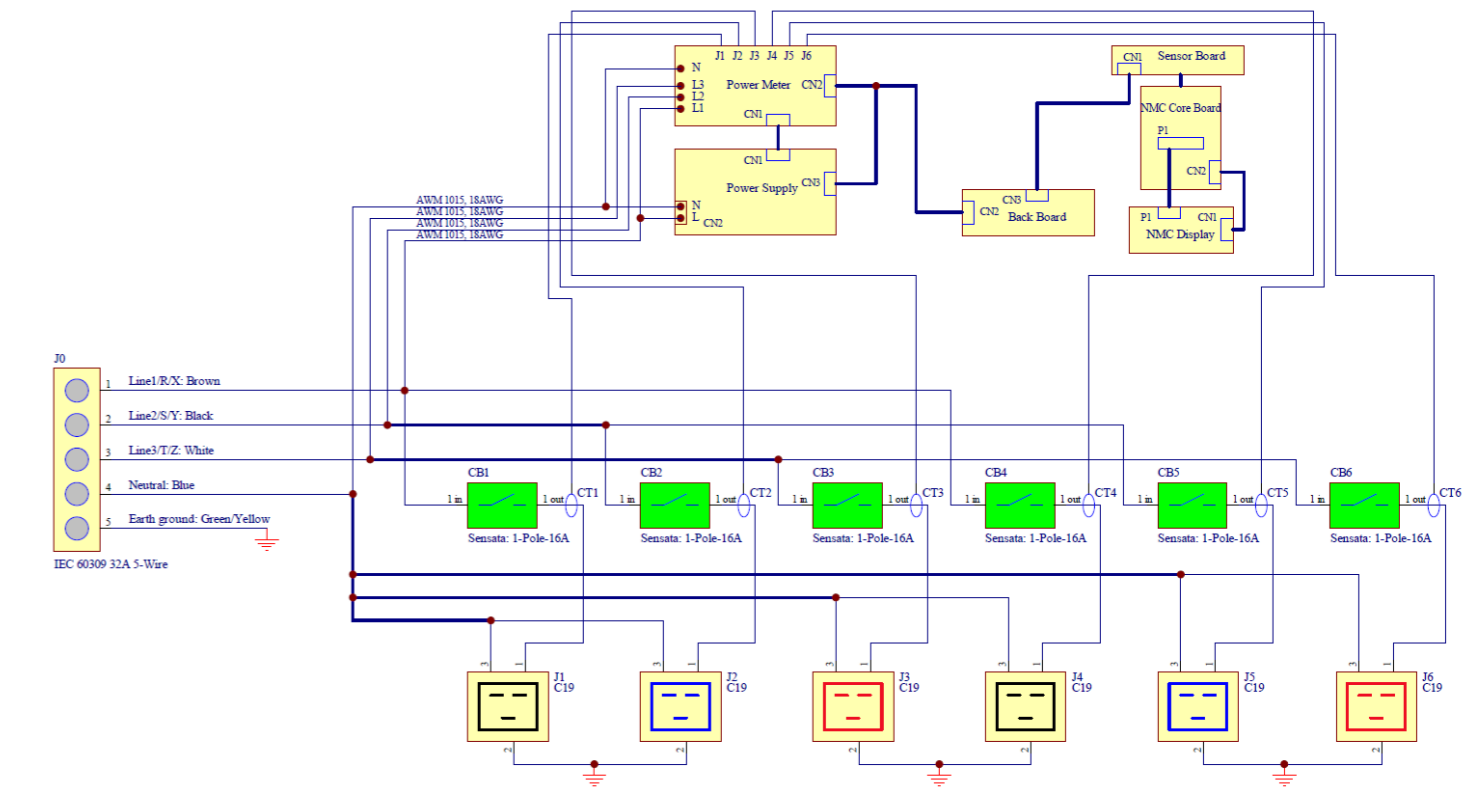
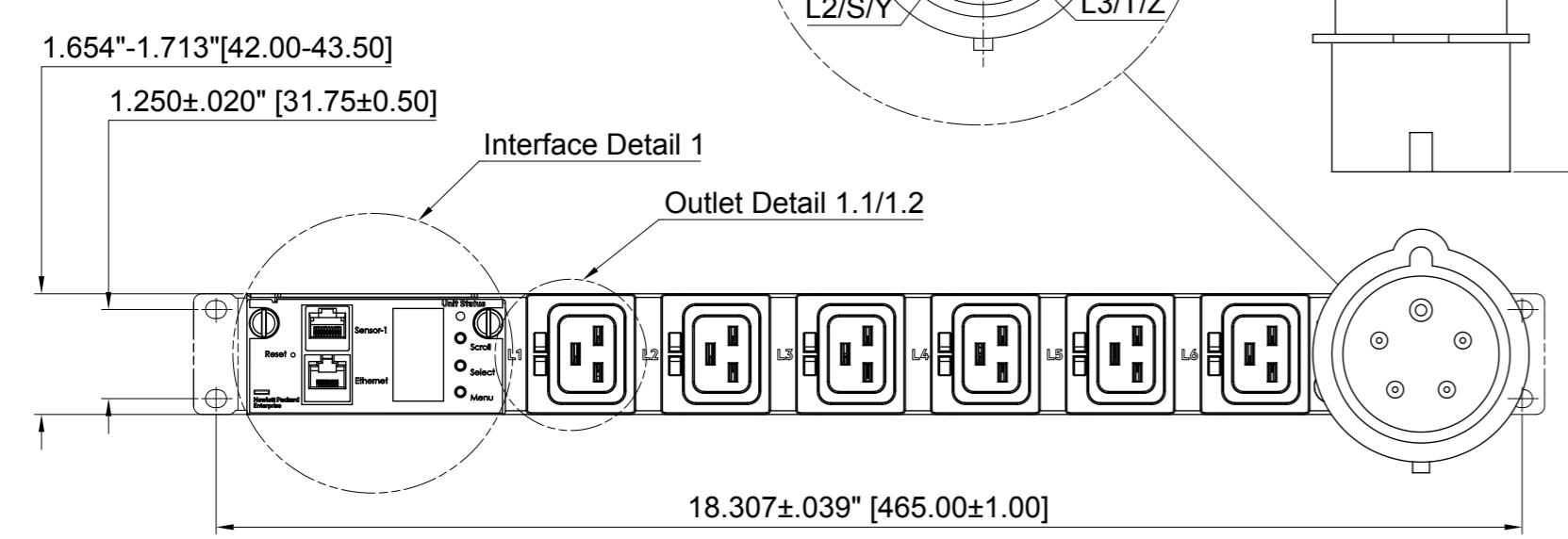
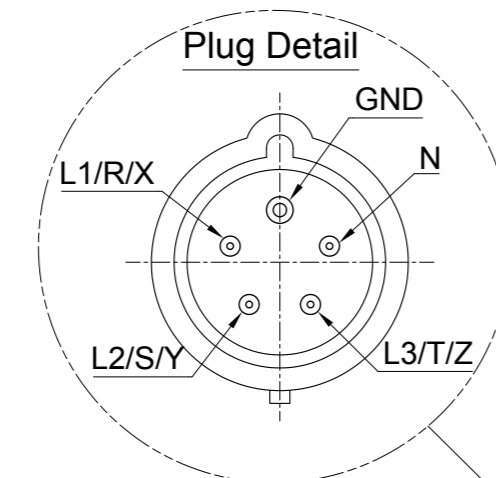
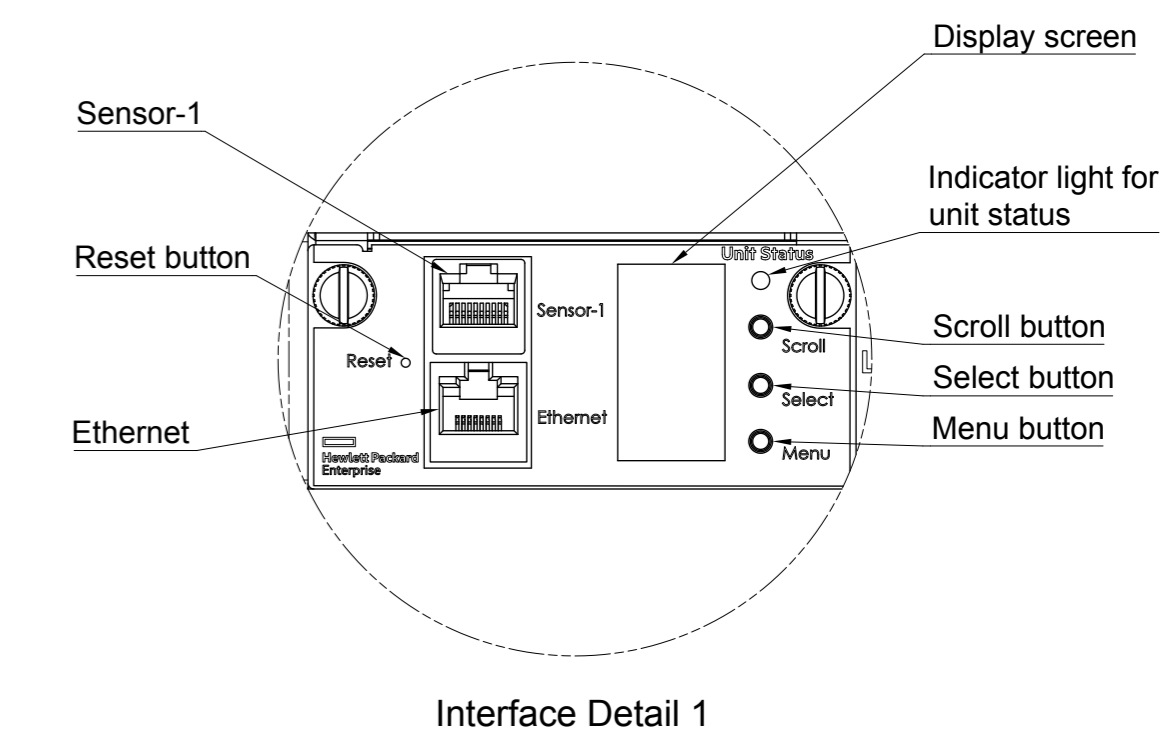
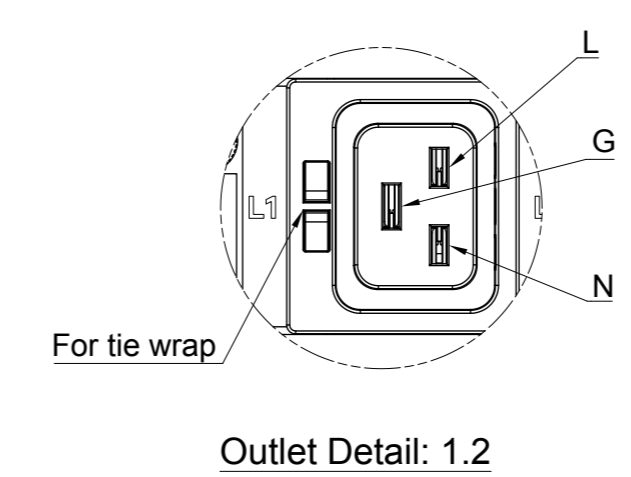
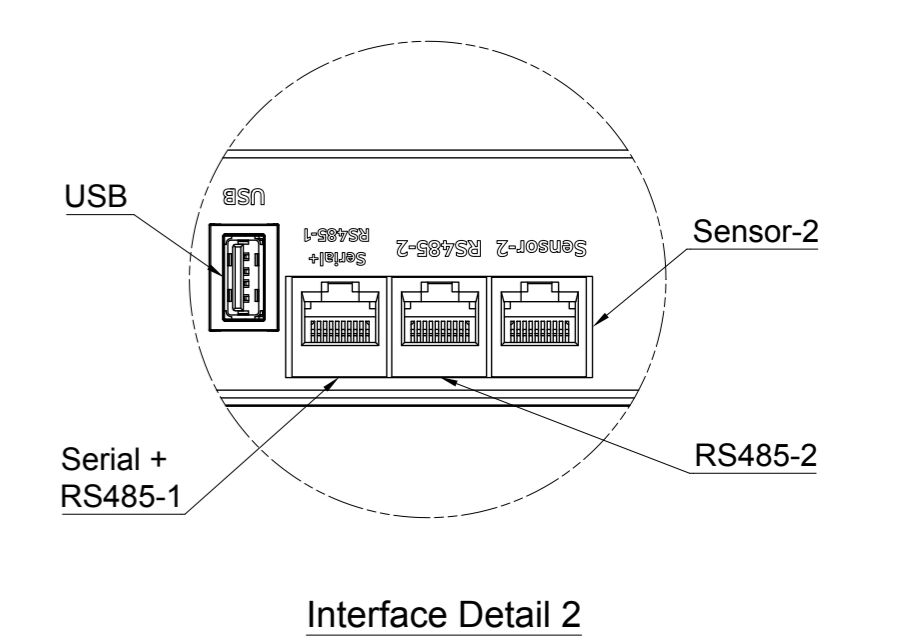
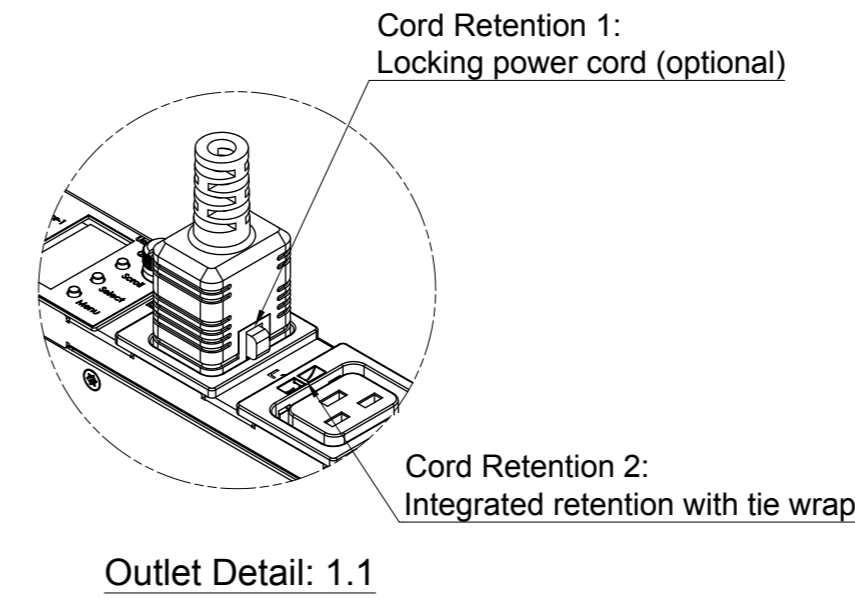
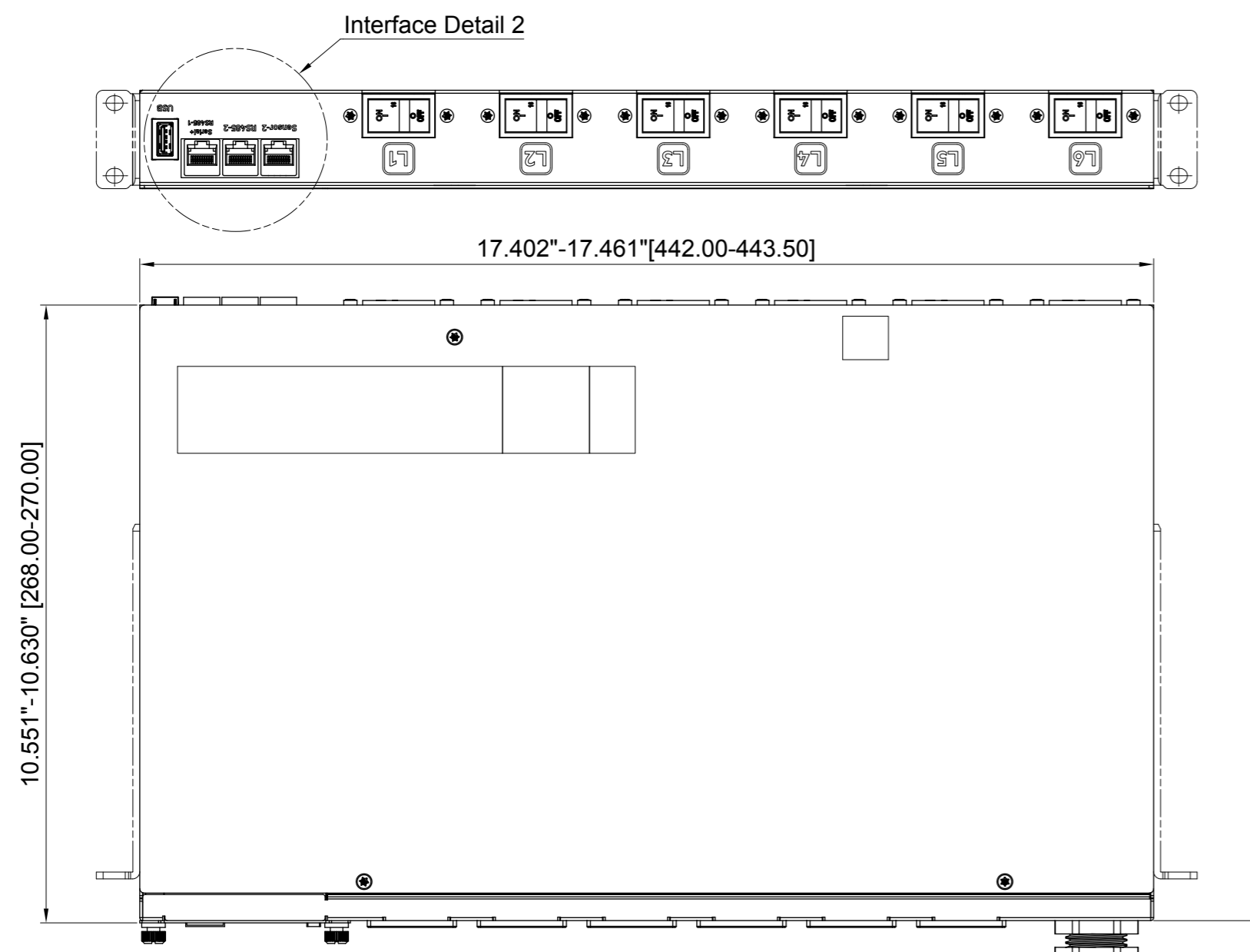
Weight	23.8lbs (10.8kg)
--------	------------------



Wiring Scheme

PDU Classification	Metered
Part Number	P9R82A
Specification Number	866833-A





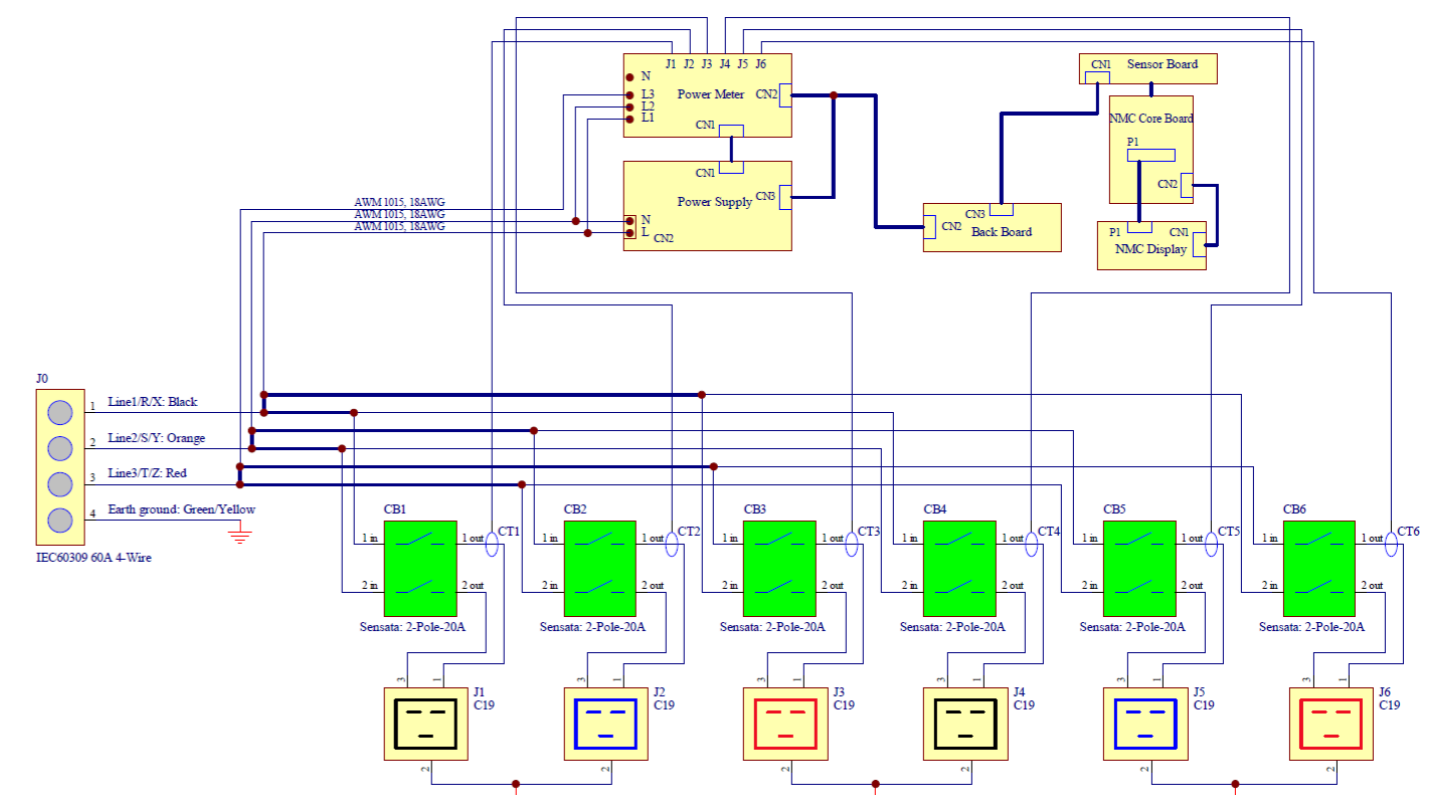
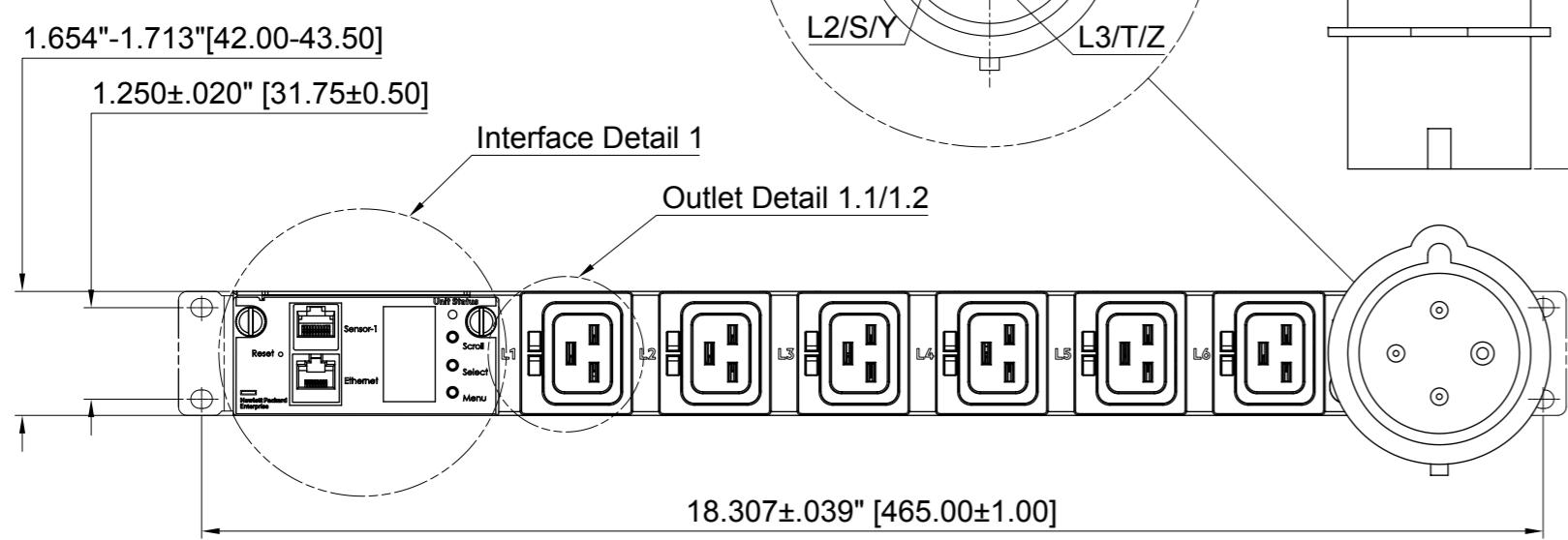
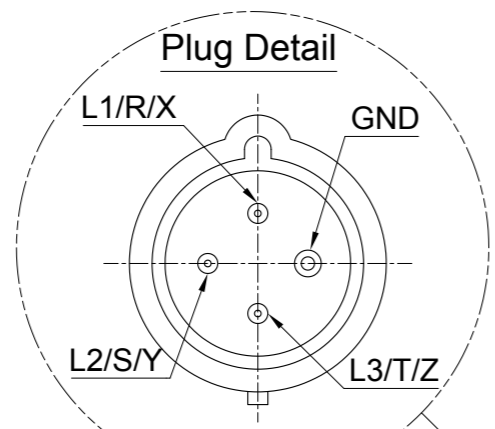
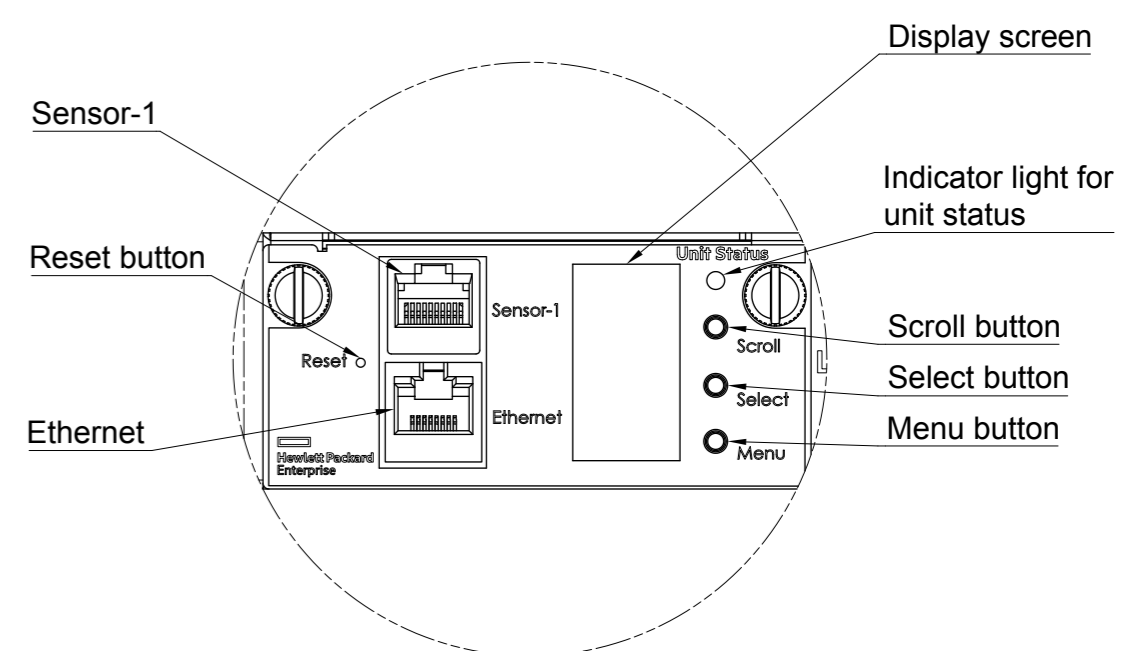
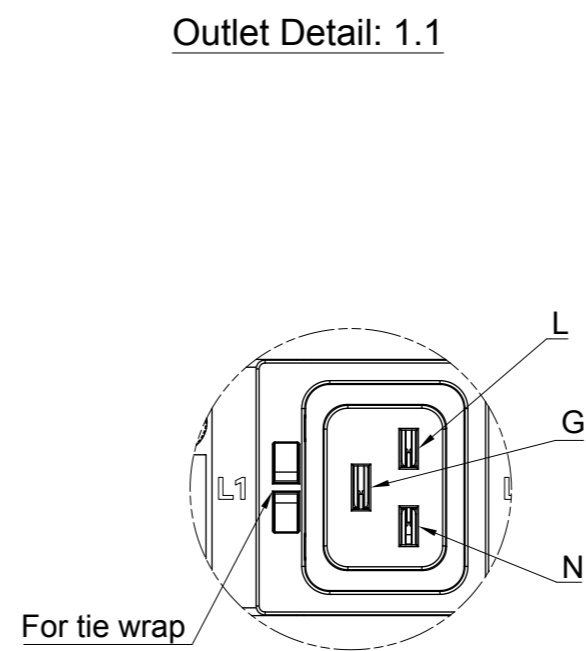
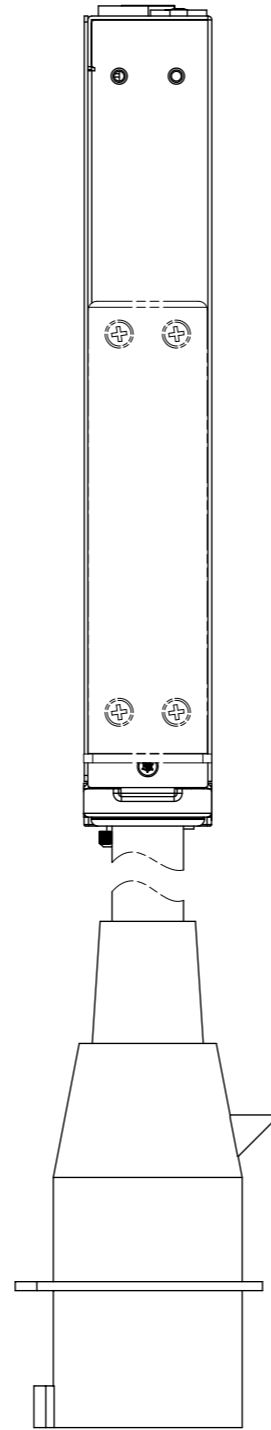
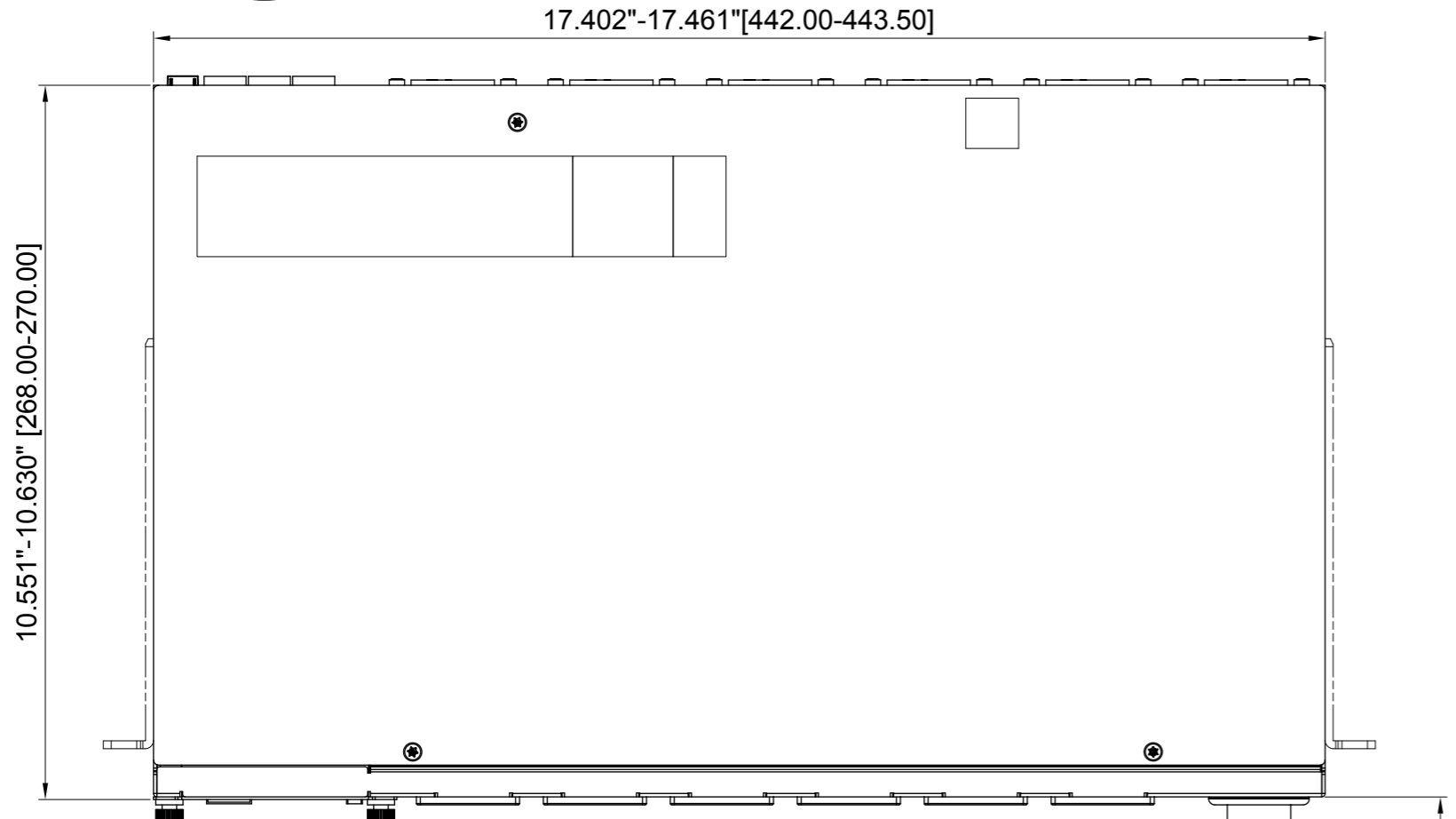
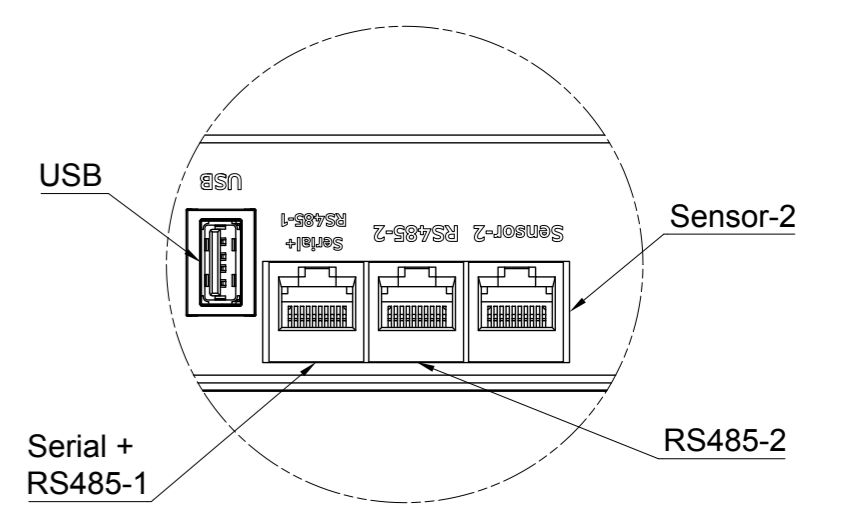
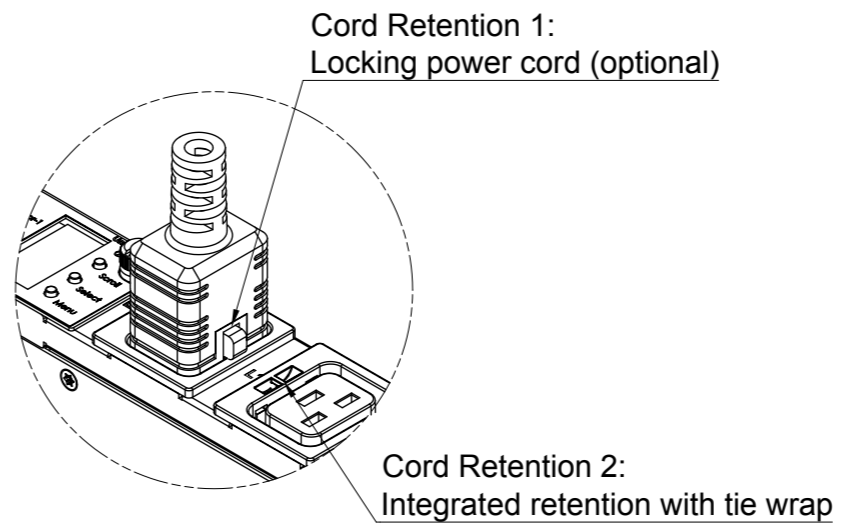
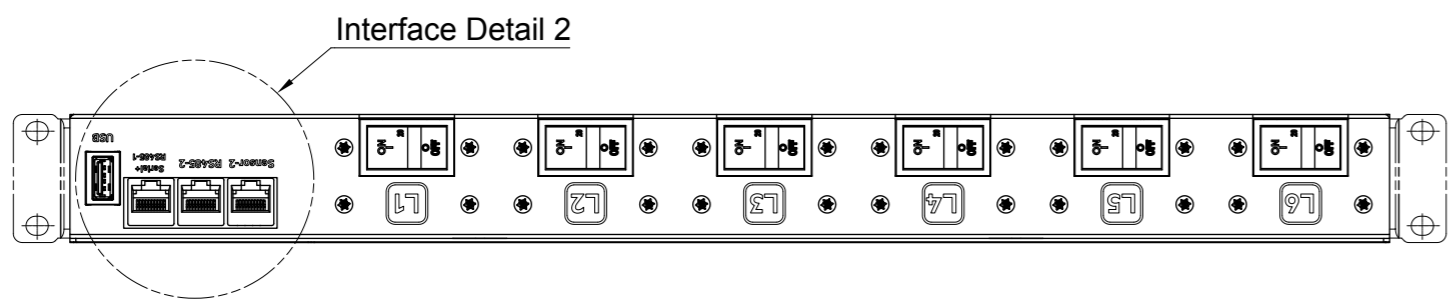
## Product Information

Input Ratings	
Nominal Voltage	230VAC, 3-Ph, 50/60Hz
Input Plug	IEC 60309 32A 5-wire
Cord Type/Length	H07RNF5G4/12'
Current Rating	32A
Power Rating (kVA)	22.08 kVA
Output Ratings	
Nominal Voltage	230VAC, 50/60Hz
Current Rating	32A
Current/Breaker	16A

Outlet Configuration	
Total Outlets	(6) C19
Outlets/Load Segment	(1) C19
Branch Circuit Protection	(6) 1-Pole 16A UL 489 Breaker
Features	
Cord Retention 1	Locking power cord (optional)
Cord Retention 2	Integrated retention with tie wrap
Mounting Option	Between RETMA rail (0U), Horizontal (1U)
Mounting Hardware	Included

Environmental Conditions	
Operating Temperature	50-140°F (10-60°C)
Operating Rel Humidity	10-90%
Operating Elevation	0-10000ft (0-3000m)
Regulatory Information	
CE, DEMKO, EAC, KC, KCC, ACMA	
Unit Weight	
Weight	15.5lbs (7.0kg)

PDU Classification	Metered
Part Number	P9R81A
Specification Number	866833-A



## Product Information

### Input Ratings

Nominal Voltage	208VAC, 3-Ph, 50/60Hz
Input Plug	IEC 60309 60A 4-wire
Cord Type/Length	Type W; 90°C; 2000V; 6AWG; 4C/12'
Current Rating	48A (Derated)
Power Rating (kVA)	17.293 kVA

### Output Ratings

Nominal Voltage	208VAC, 50/60Hz
Current Rating	48A
Current/Breaker	16A (Derated)

### Outlet Configuration

Total Outlets	(6) C19
Outlets/Load Segment	(1) C19
Branch Circuit Protection	(6) 2-Pole 20A UL 489 Breaker

### Features

Cord Retention 1	Locking power cord (optional)
Cord Retention 2	Integrated retention with tie wrap
Mounting Option	Between RETMA rail (0U), Horizontal (1U)
Mounting Hardware	Included

### Environmental Conditions

Operating Temperature	50-140°F (10-60°C)
Operating Rel Humidity	10-90%
Operating Elevation	0-10000ft (0-3000m)

### Regulatory Information

UL or CSA, CB Test+ FCC, ICES, VCCI

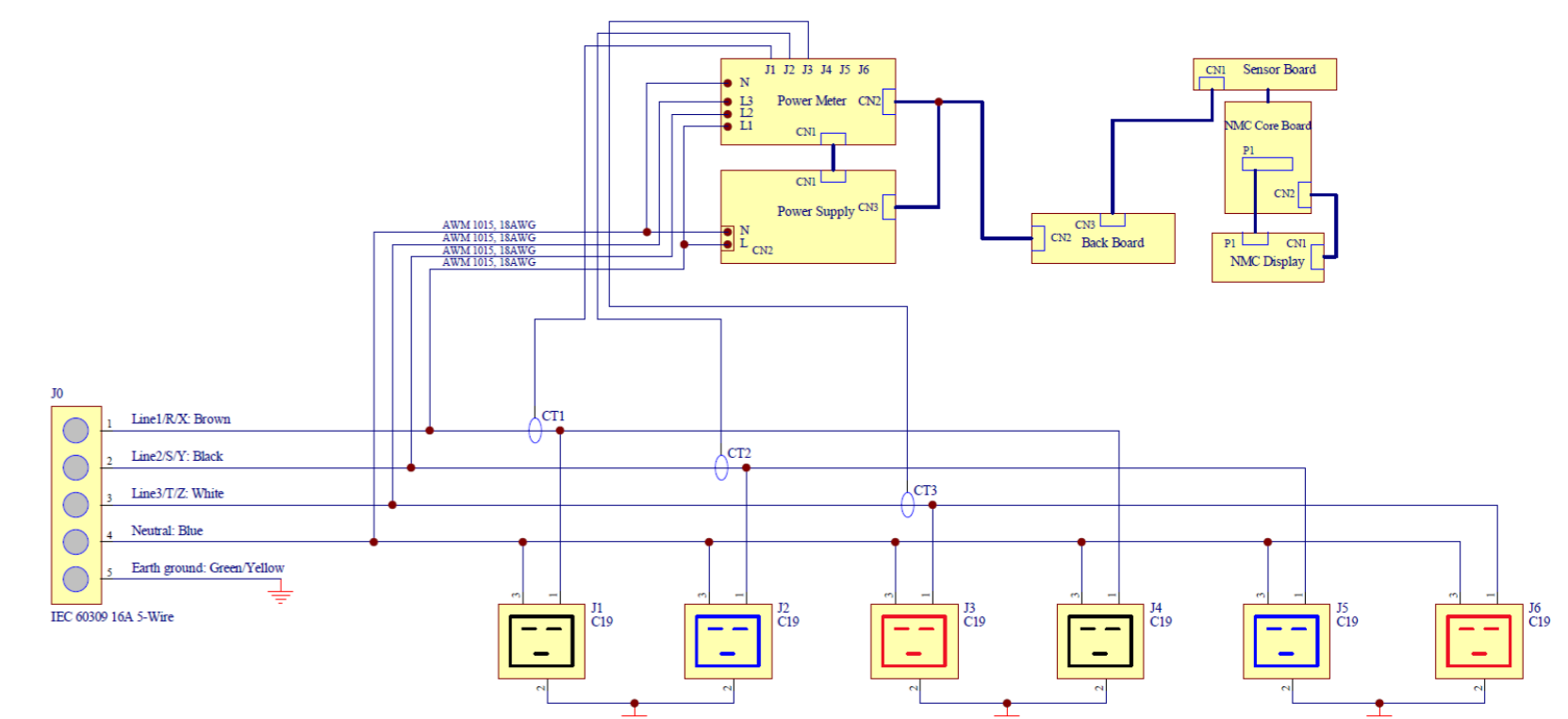
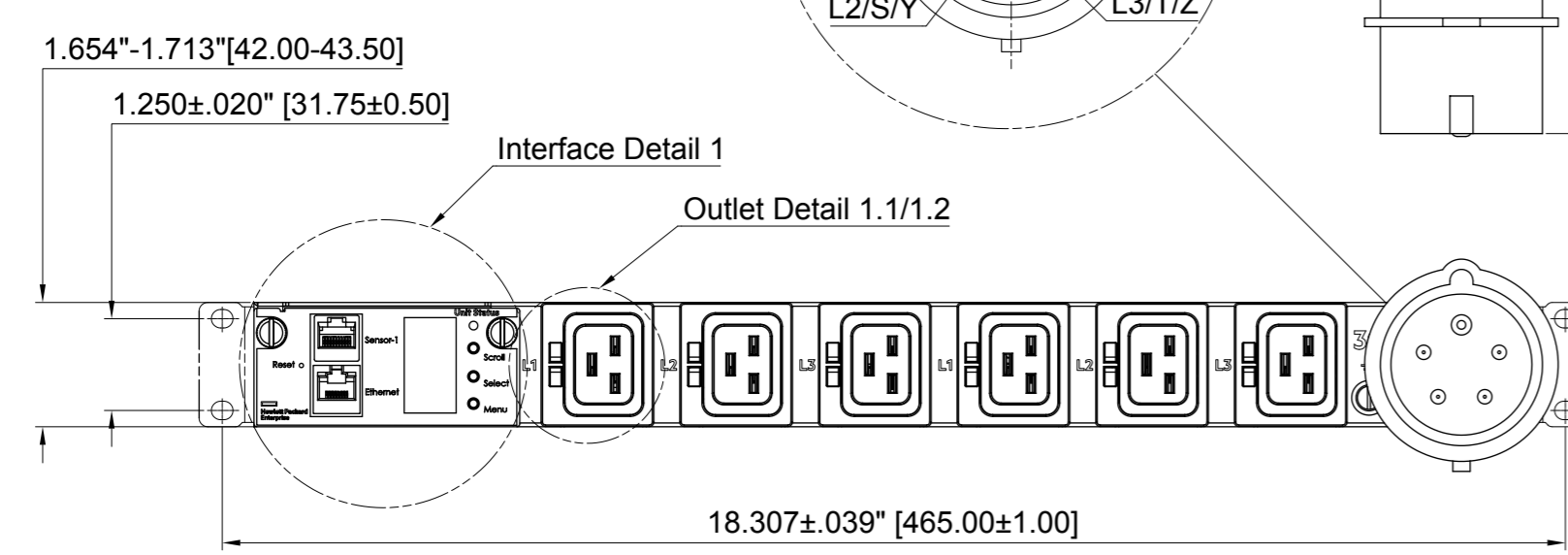
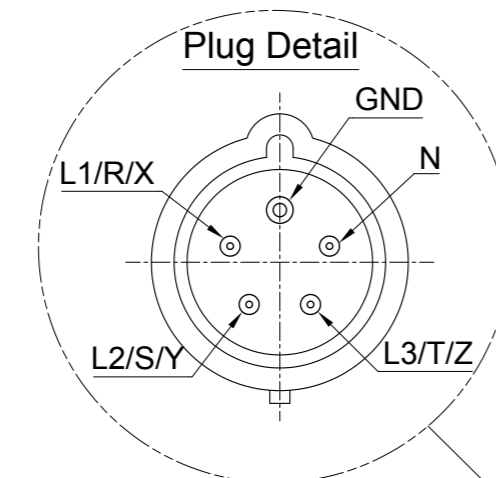
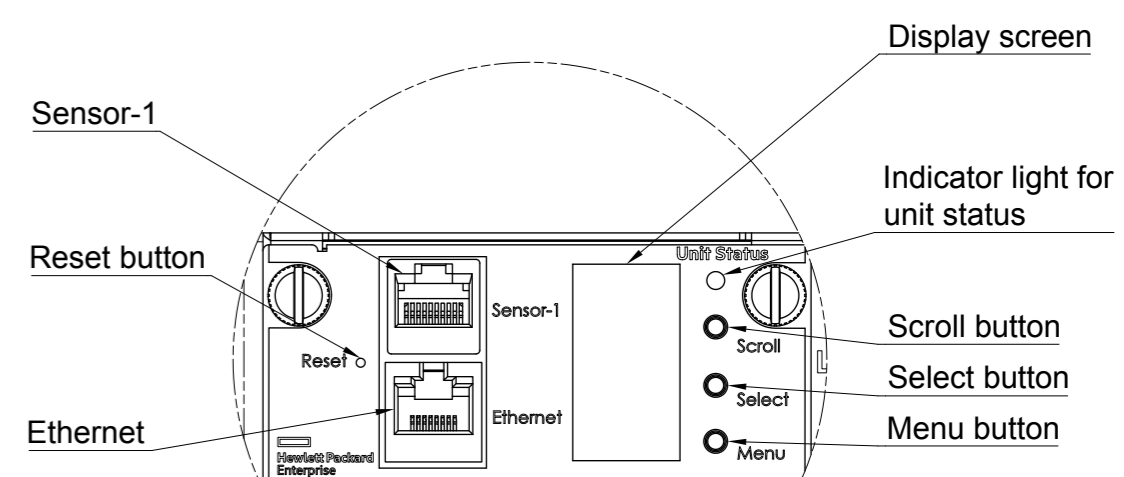
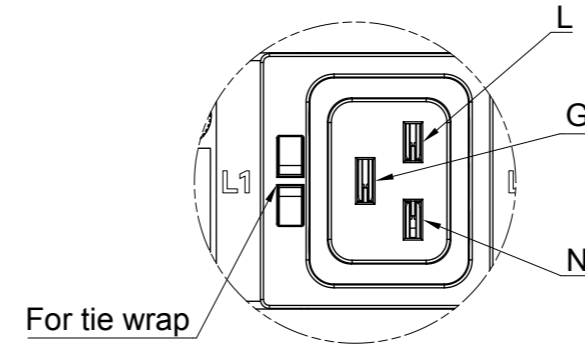
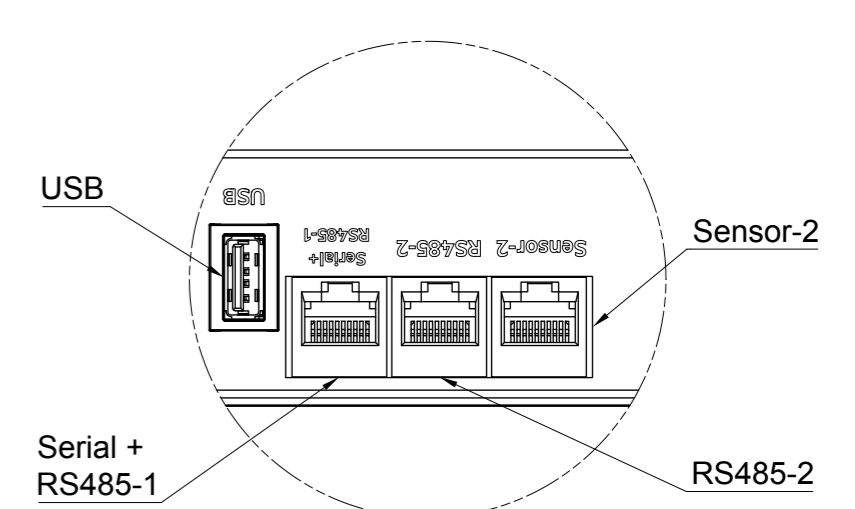
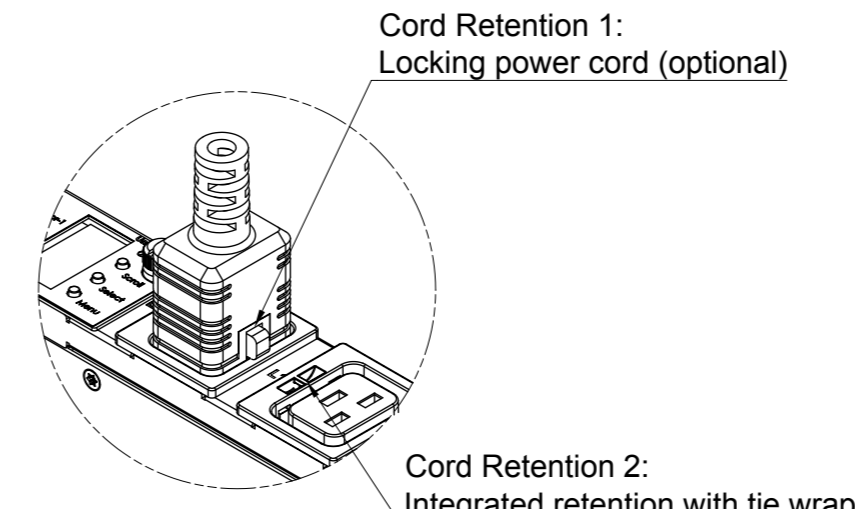
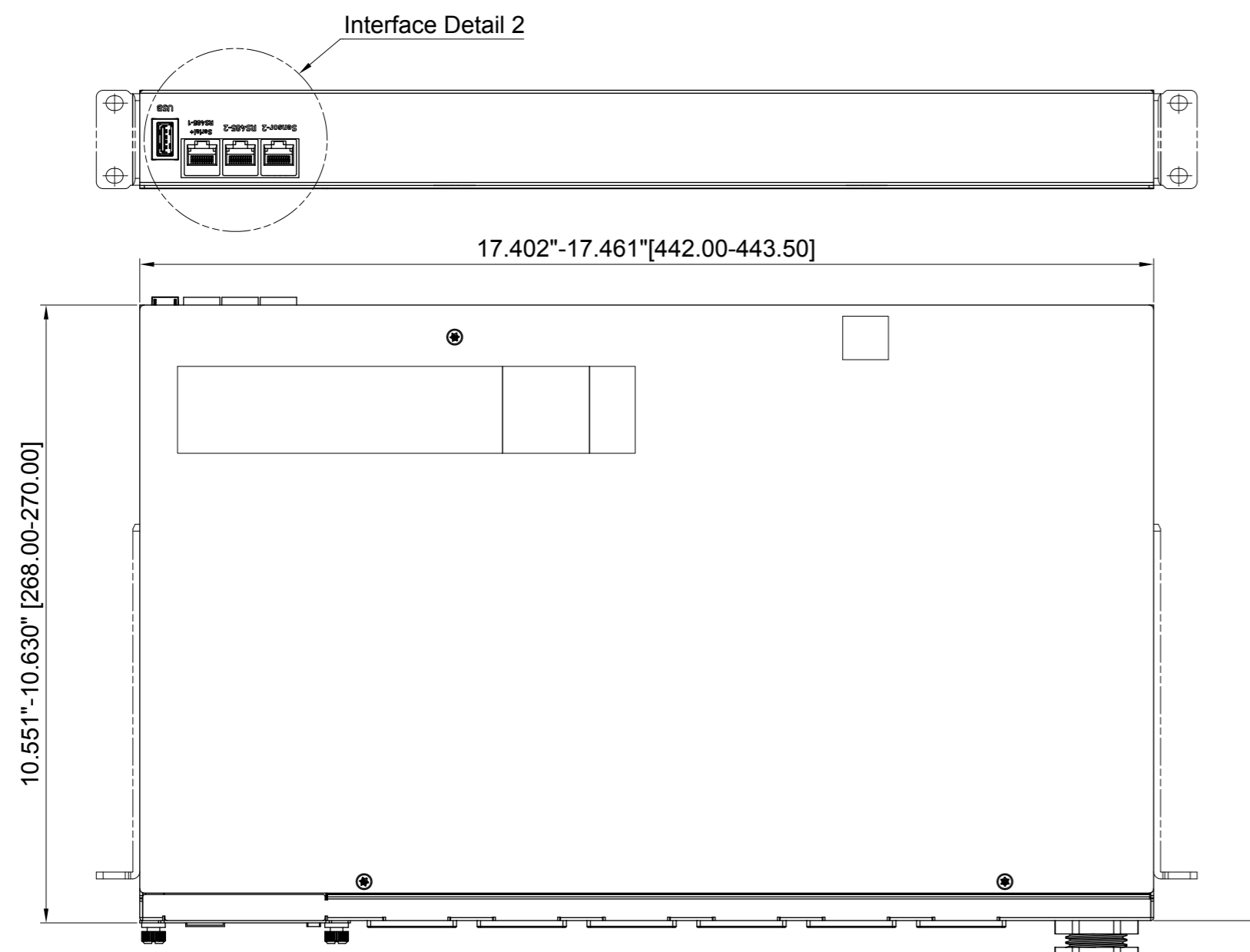
### Unit Weight

Weight 22.9lbs (10.4kg)

### Wiring Scheme

PDU Classification	Metered
Part Number	P9R80A
Specification Number	866833-A

**Hewlett Packard**  
Enterprise

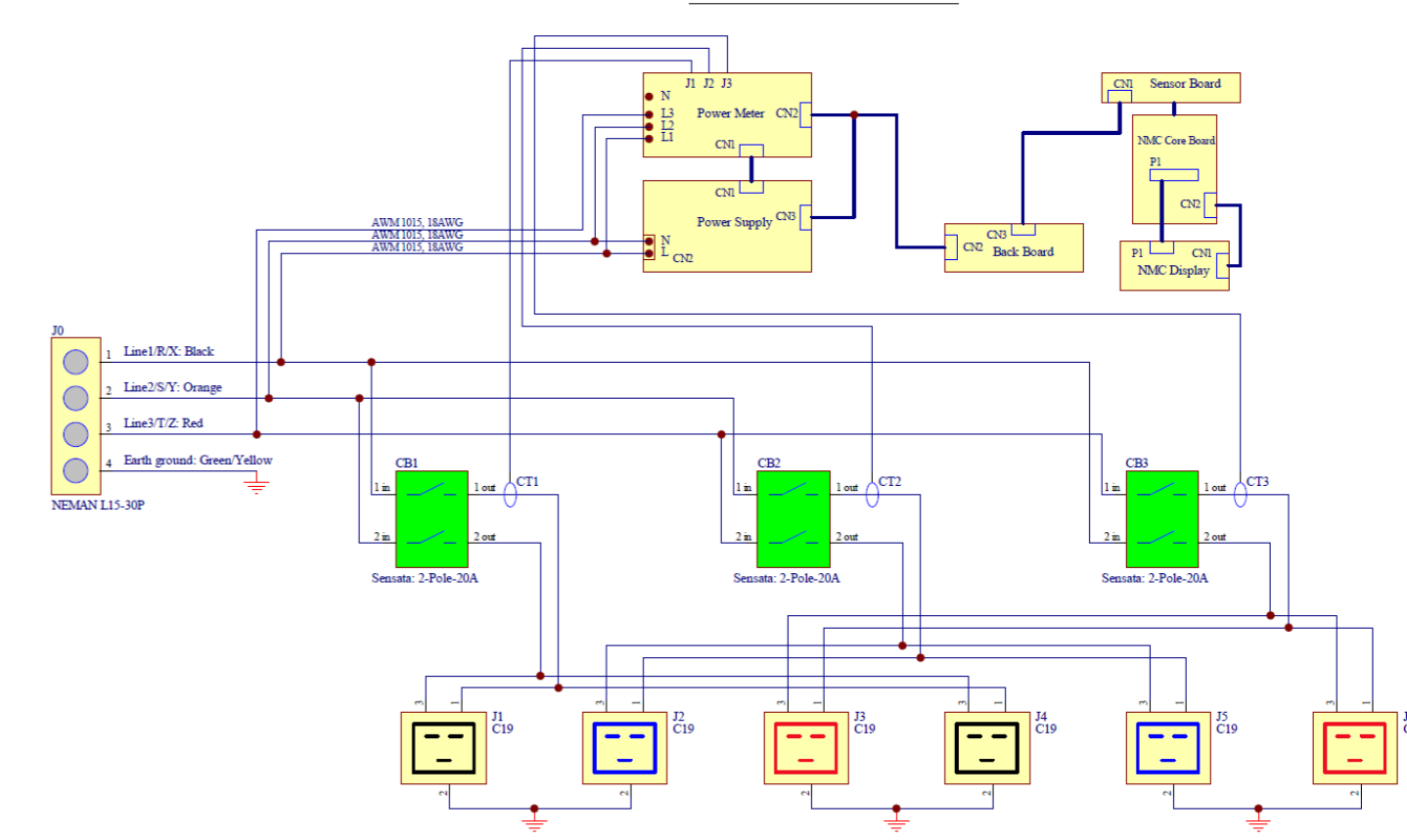
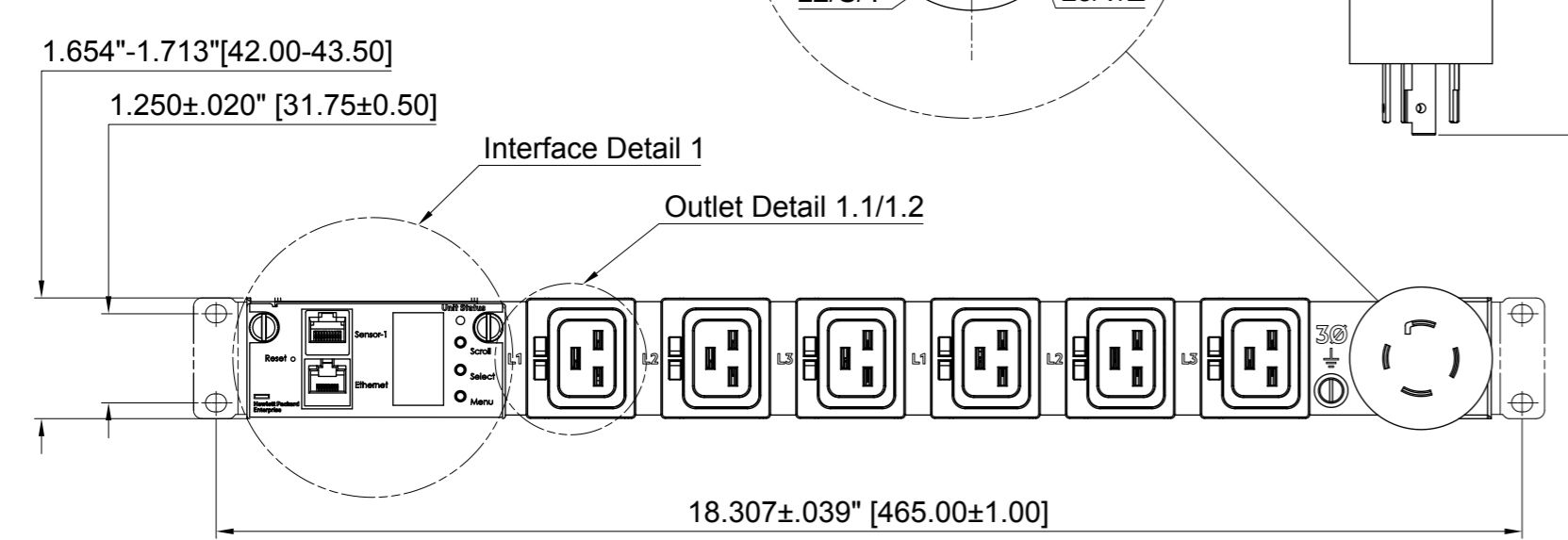
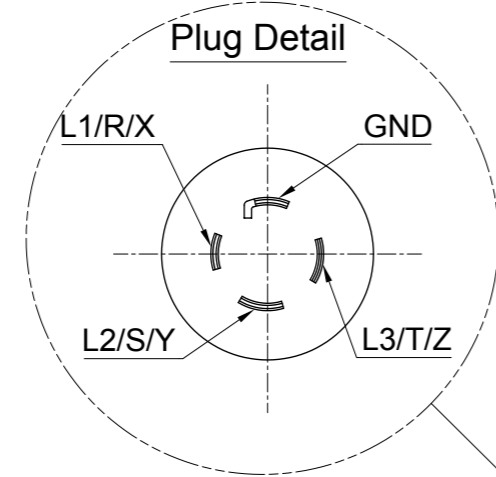
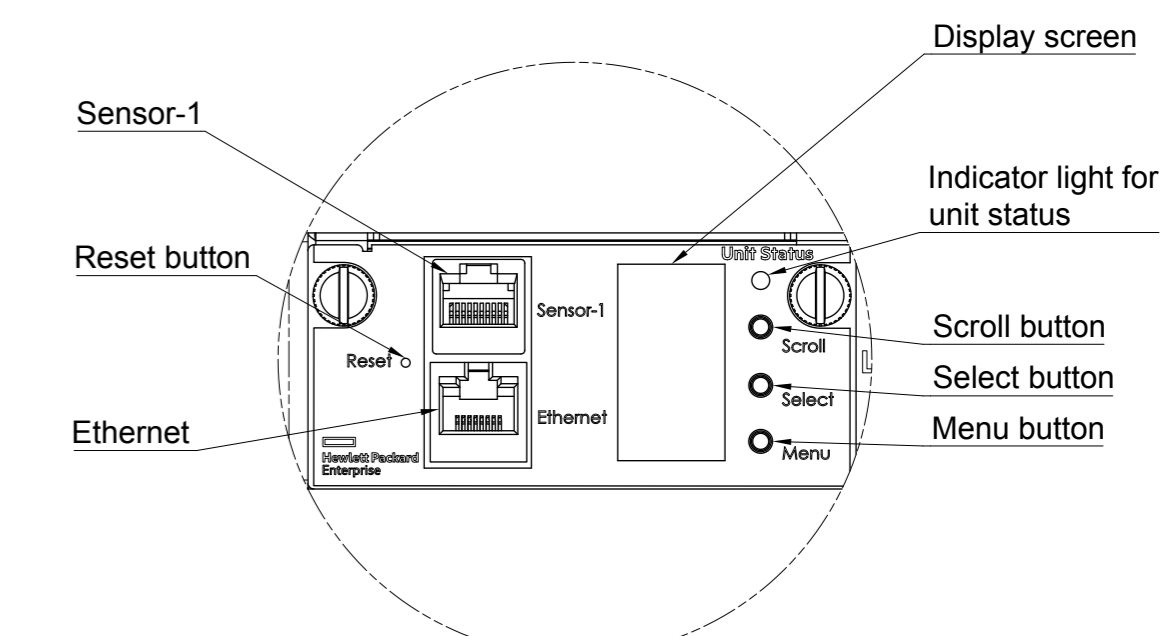
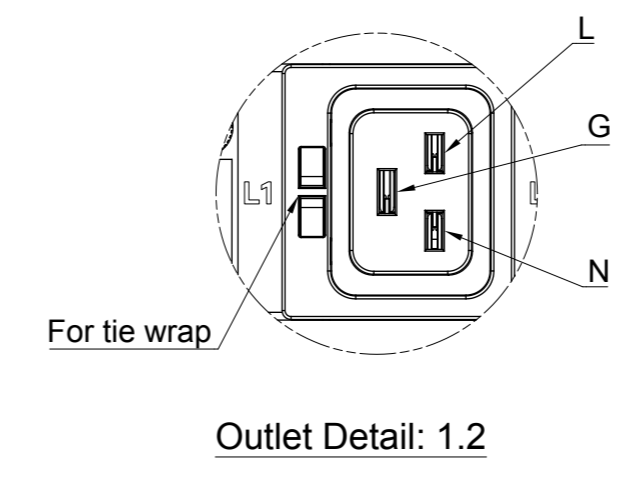
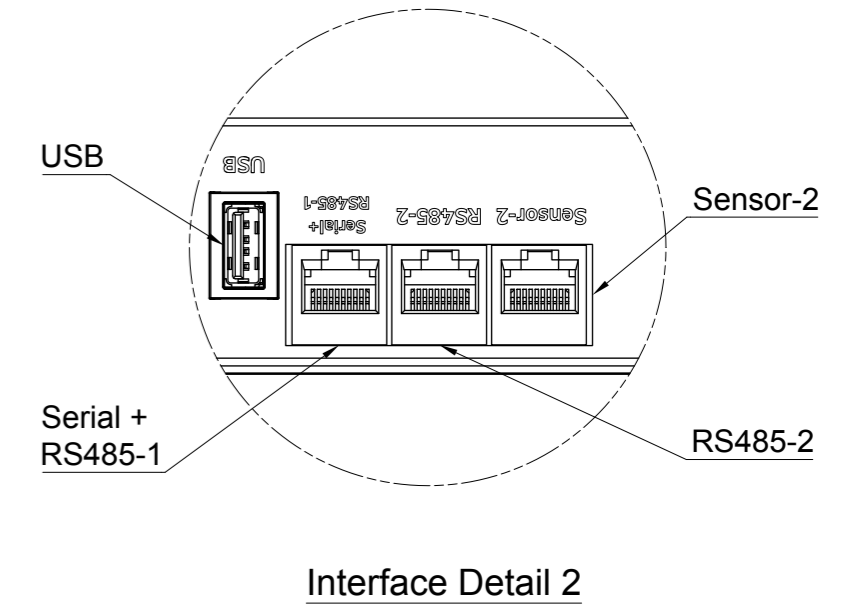
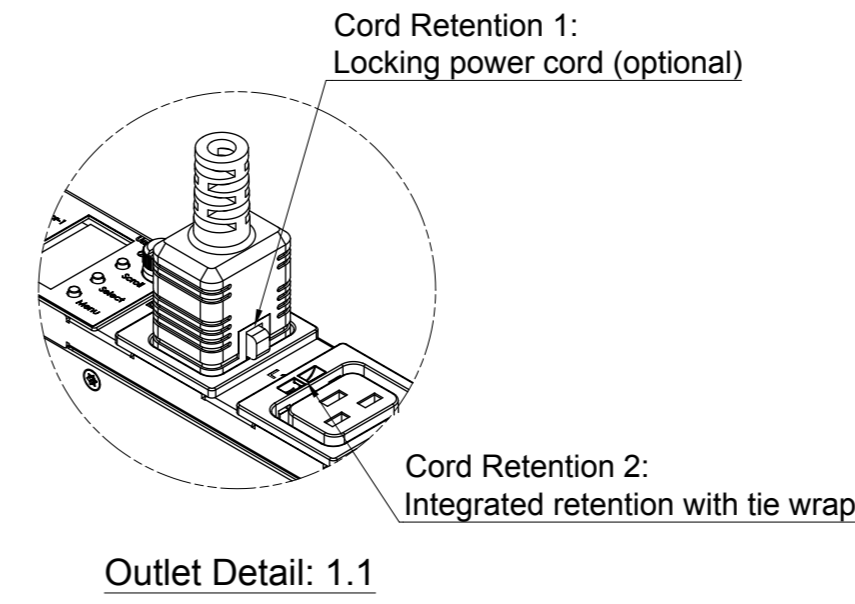
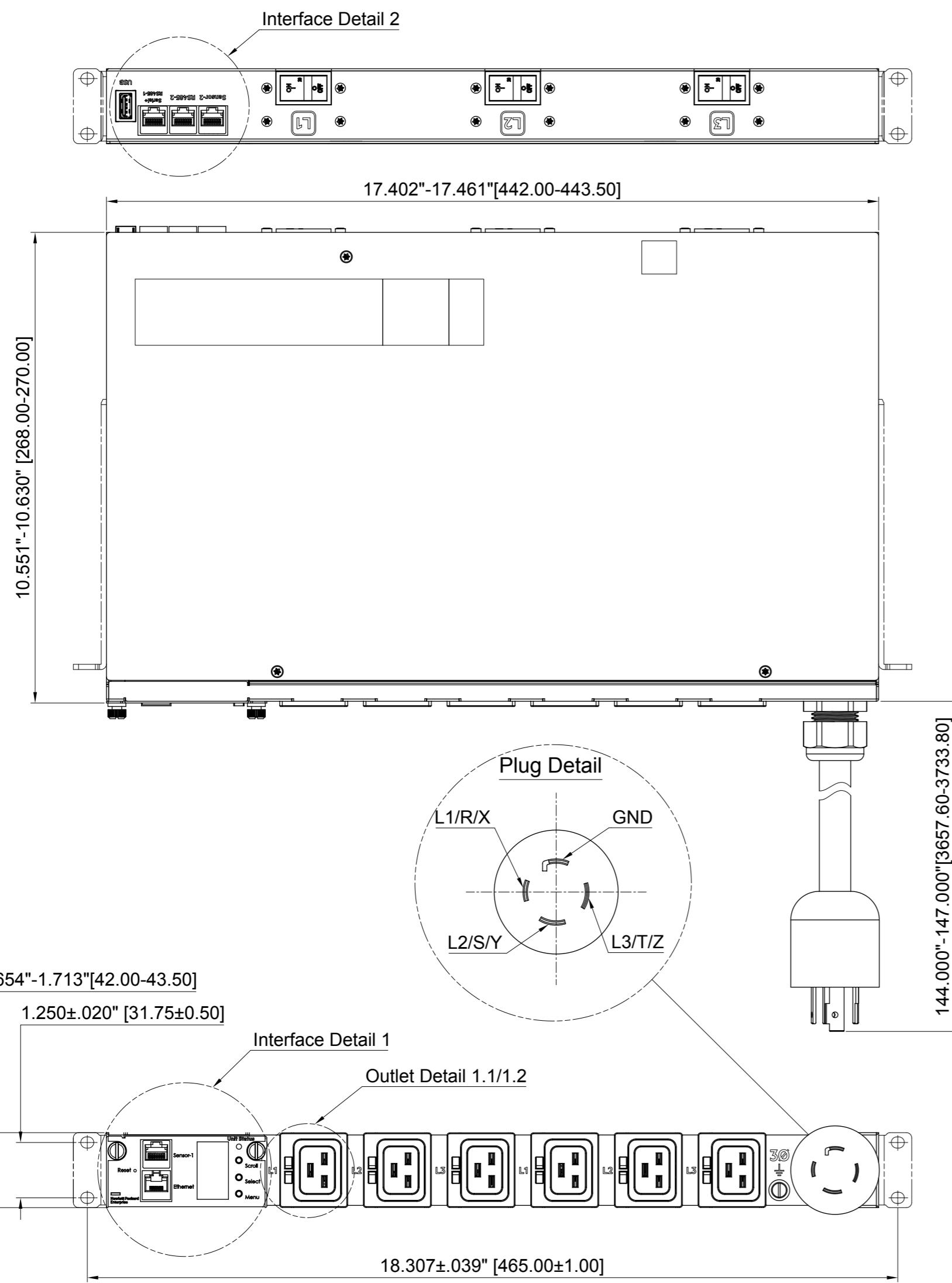


## Product Information

<b>Input Ratings</b>		<b>Outlet Configuration</b>	
Nominal Voltage	230VAC, 3-Ph, 50/60Hz	Total Outlets	(6) C19
Input Plug	IEC 60309 16A 5-wire	<b>Features</b>	
Cord Type/Length	H07RNF5G1.5/12'	Cord Retention 1	Locking power cord (optional)
Current Rating	16A	Cord Retention 2	Integrated retention with tie wrap
Power Rating (kVA)	11.04 kVA	Mounting Option	Between RETMA rail (0U), Horizontal (1U)
<b>Output Ratings</b>		Mounting Hardware	Included
Nominal Voltage	230VAC, 50/60Hz		
Current Rating	16A		

<b>Environmental Conditions</b>	
Operating Temperature	50-140°F (10-60°C)
Operating Rel Humidity	10-90%
Operating Elevation	0-10000ft (0-3000m)
<b>Regulatory Information</b>	
CE, DEMKO, EAC, KC, KCC, ACMA	
<b>Unit Weight</b>	
Weight	12.0lbs (5.4kg)

PDU Classification	Metered
Part Number	P9R79A
Specification Number	866833-A



## Product Information

### Input Ratings

Nominal Voltage	208VAC, 3-Ph, 50/60Hz
Input Plug	NEMA L15-30P (Over-molded)
Cord Type/Length	Type SJT; 90°C; 300V; 10AWG; 4C/12'
Current Rating	24A (Derated)
Power Rating (kVA)	8.646 kVA

### Output Ratings

Nominal Voltage	208VAC, 50/60Hz
Current Rating	24A
Current/Breaker	16A (Derated)

### Outlet Configuration

Total Outlets	(6) C19
Outlets/Load Segment	(2) C19
Branch Circuit Protection	(3) 2-Pole 20A UL 489 Breaker

### Features

Cord Retention 1	Locking power cord (optional)
Cord Retention 2	Integrated retention with tie wrap
Mounting Option	Between RETMA rail (0U), Horizontal (1U)
Mounting Hardware	Included

### Environmental Conditions

Operating Temperature	50-140°F (10-60°C)
Operating Rel Humidity	10-90%
Operating Elevation	0-10000ft (0-3000m)

### Regulatory Information

UL or CSA, CB Test+ FCC, ICES, VCCI

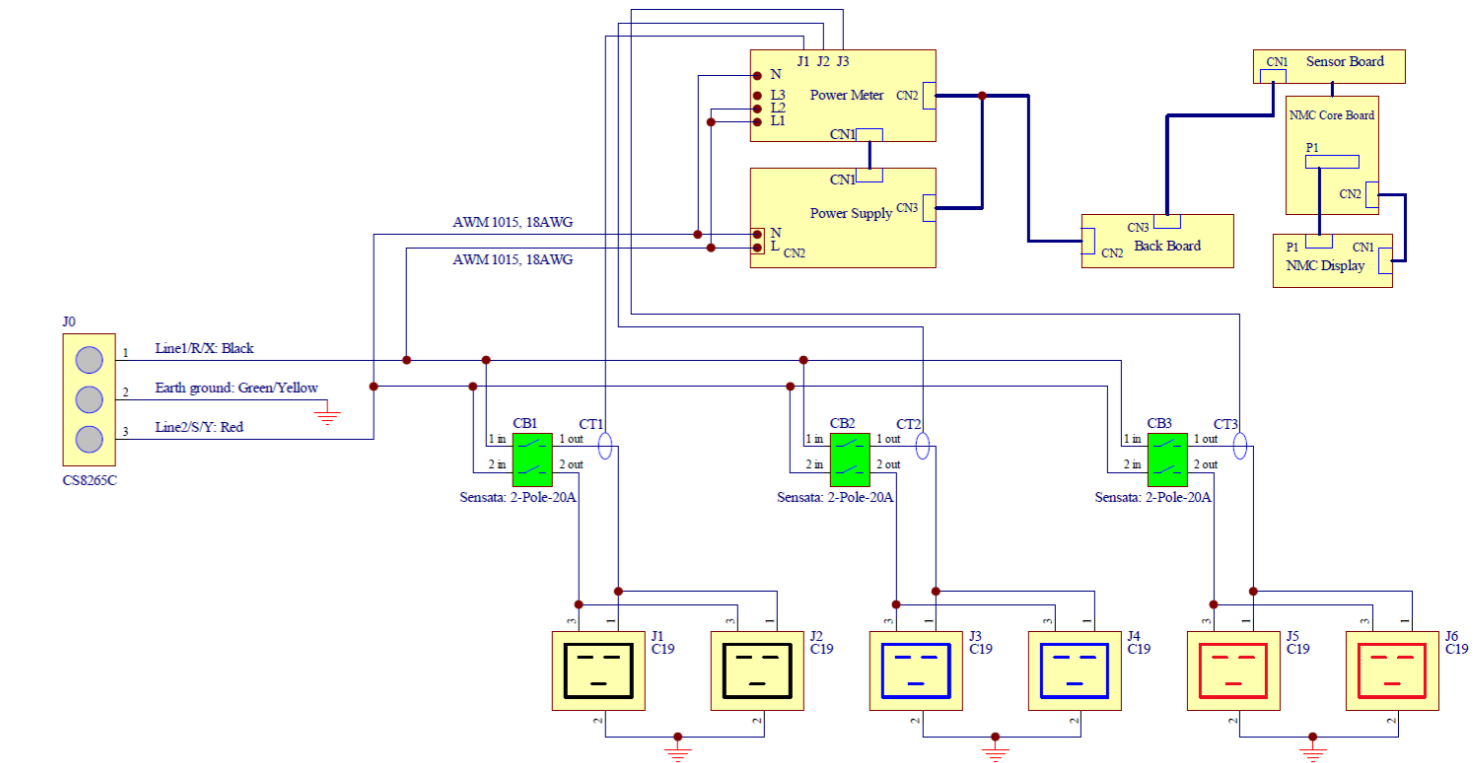
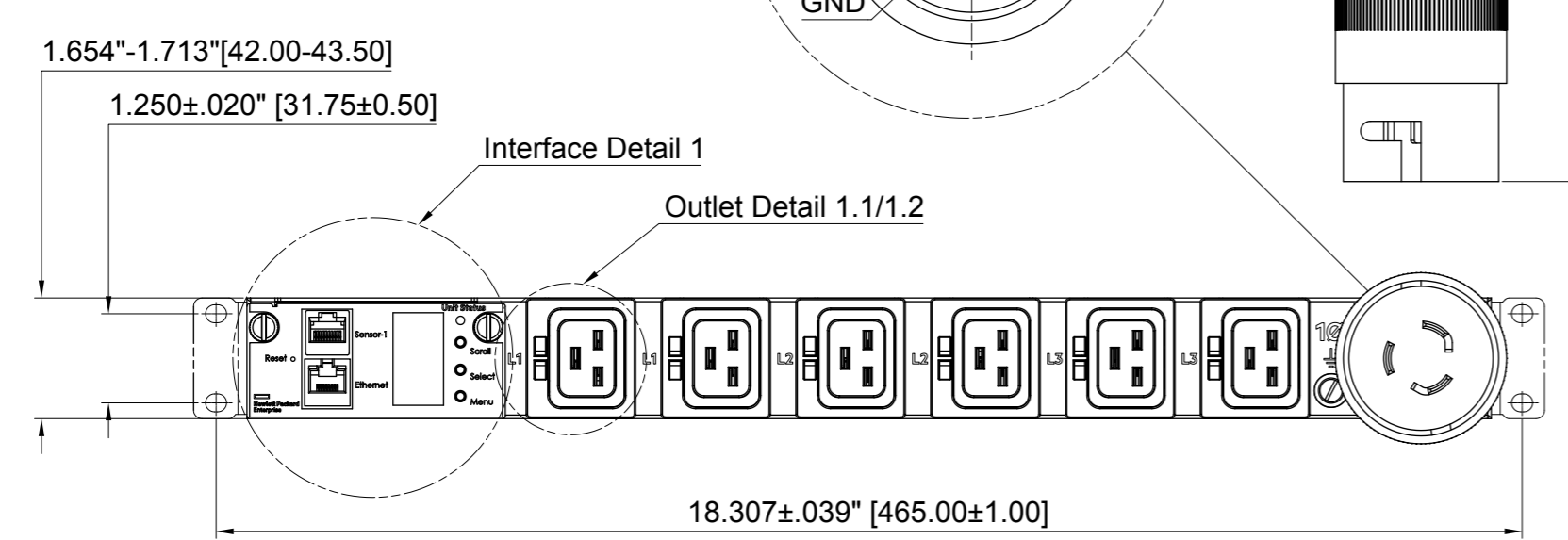
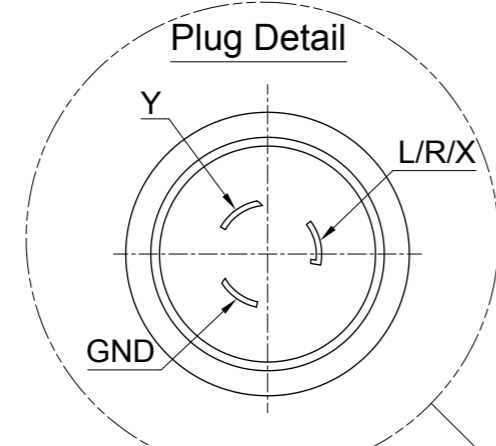
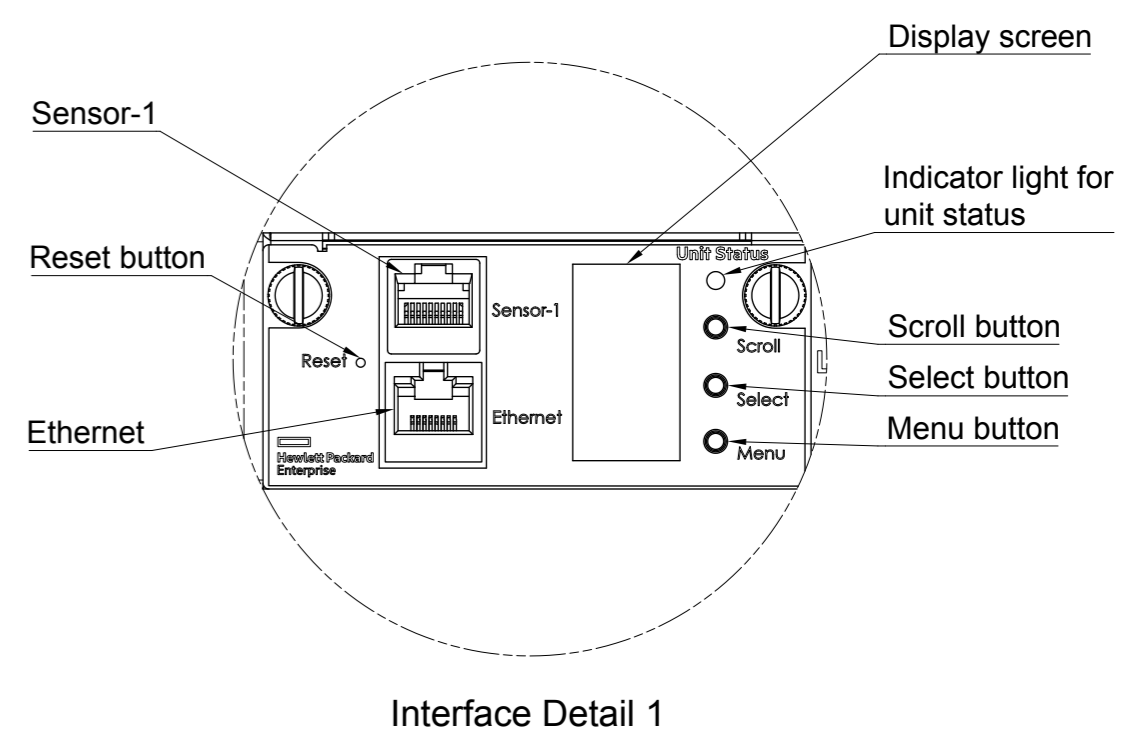
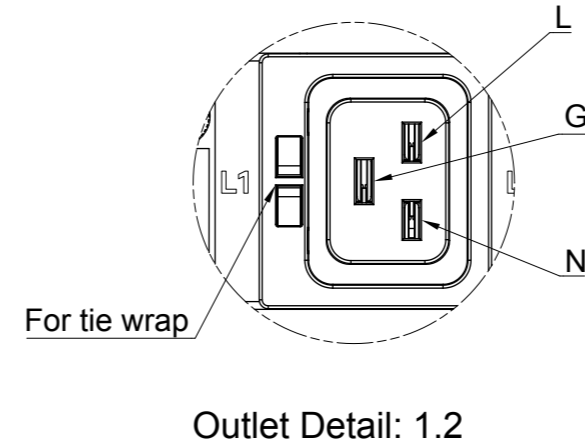
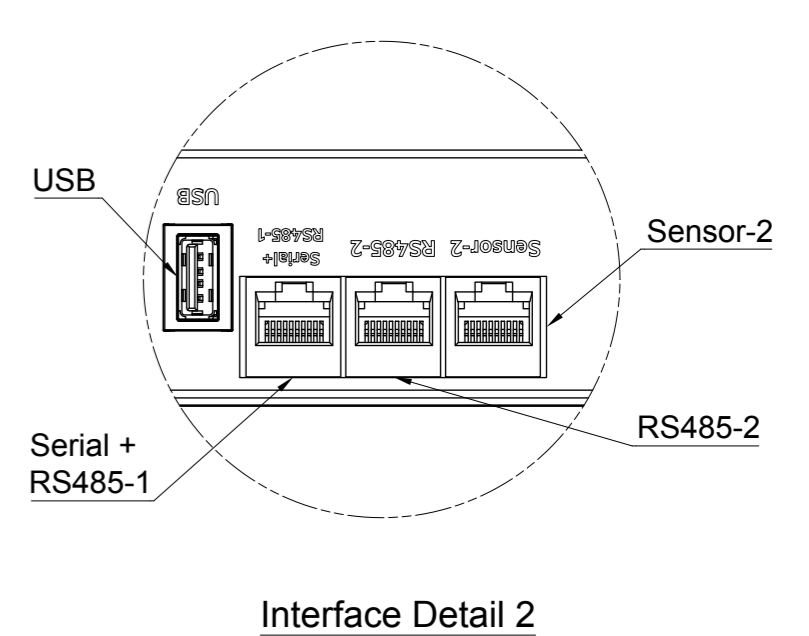
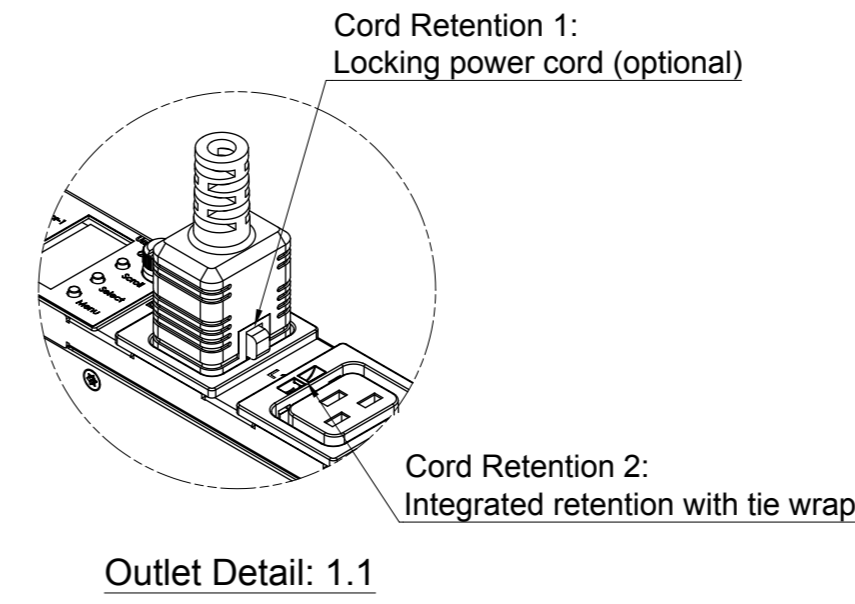
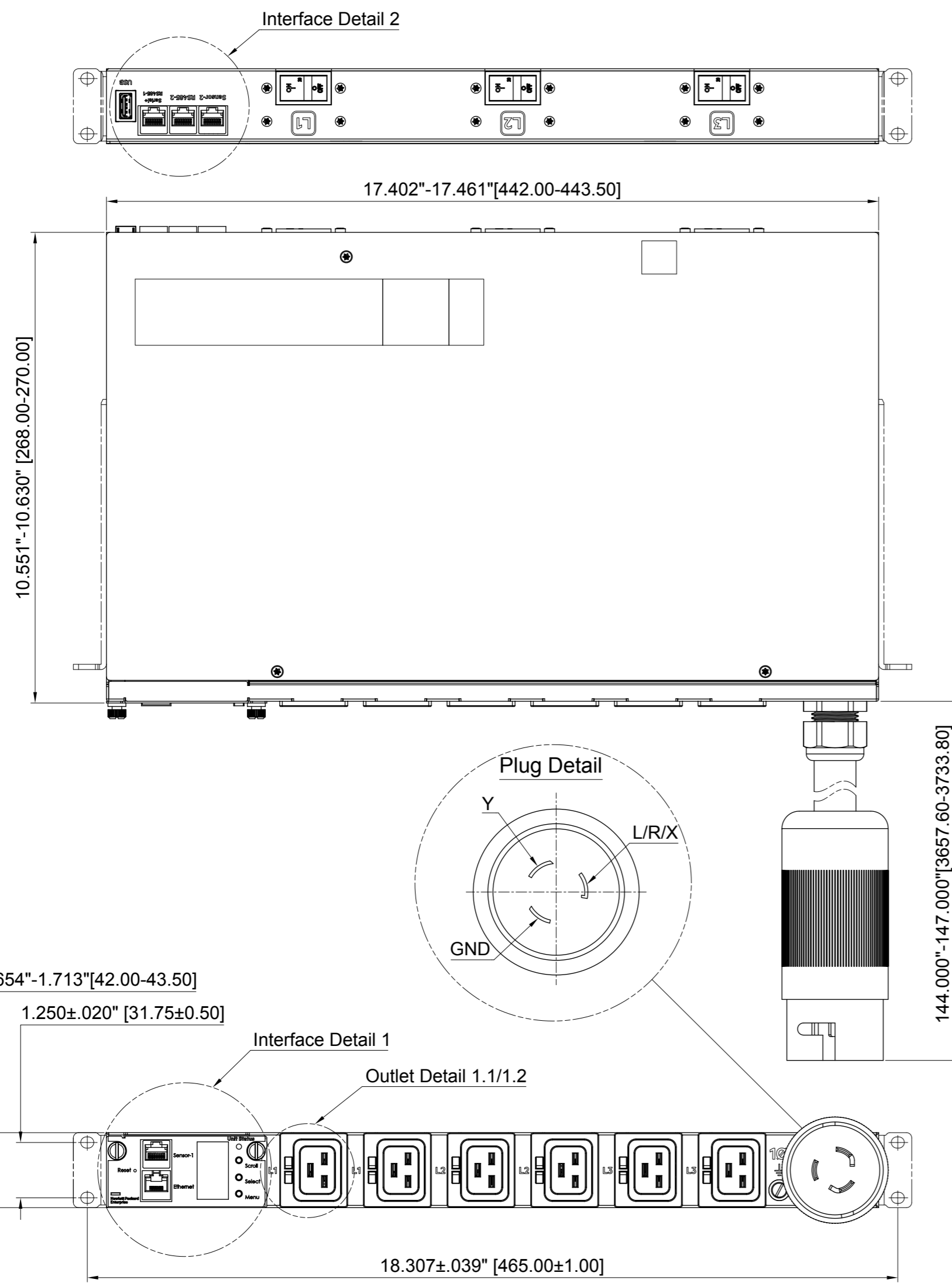
### Unit Weight

Weight 16.0lbs (7.3kg)

### Wiring Scheme

PDU Classification	Metered
Part Number	P9R78A
Specification Number	866833-A





## Product Information

### Input Ratings

Nominal Voltage	208VAC, 1-Ph, 50/60Hz
Input Plug	CS8265C
Cord Type/Length	Type SOOW; 90°C; 600V; 8AWG; 3C/12'
Current Rating	40A (Derated)
Power Rating (kVA)	8.32 kVA

### Output Ratings

Nominal Voltage	208VAC, 50/60Hz
Current Rating	40A
Current/Breaker	16A (Derated)

### Outlet Configuration

Total Outlets	(6) C19
Outlets/Load Segment	(2) C19
Branch Circuit Protection	(3) 2-Pole 20A UL 489 Breaker

### Features

Cord Retention 1	Locking power cord (optional)
Cord Retention 2	Integrated retention with tie wrap
Mounting Option	Between RETMA rail (0U), Horizontal (1U)
Mounting Hardware	Included

### Environmental Conditions

Operating Temperature	50-140°F (10-60°C)
Operating Rel Humidity	10-90%
Operating Elevation	0-10000ft (0-3000m)

### Regulatory Information

UL or CSA, CB Test+ FCC, ICES, VCCI

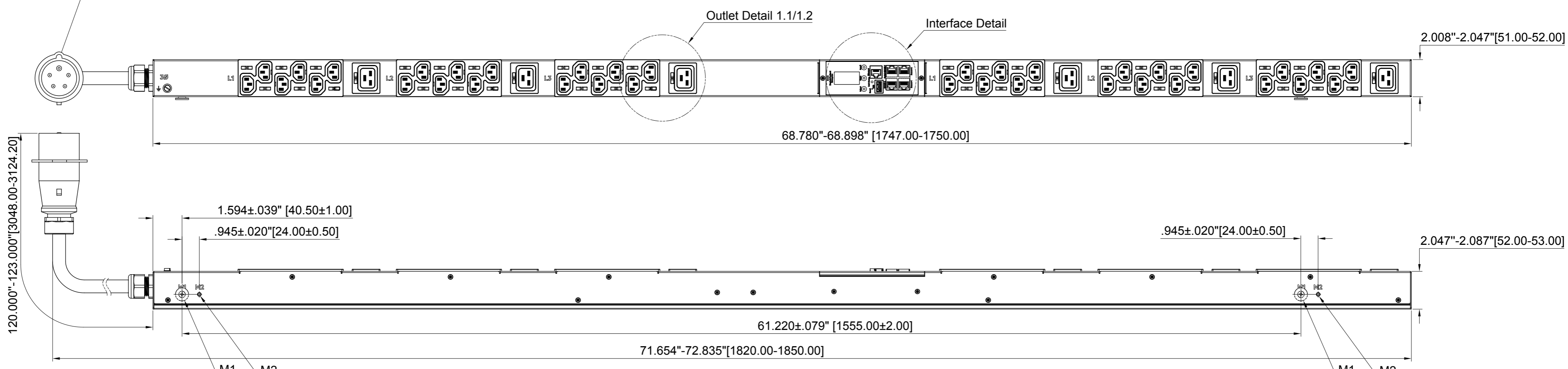
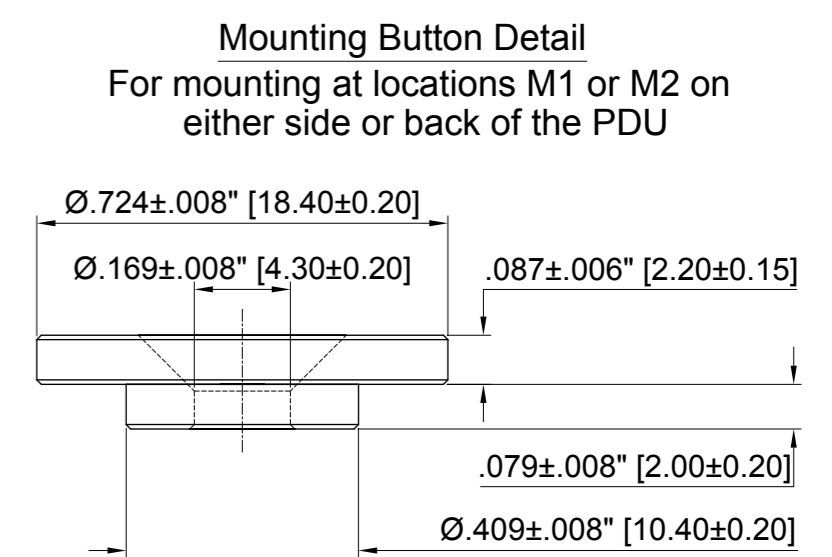
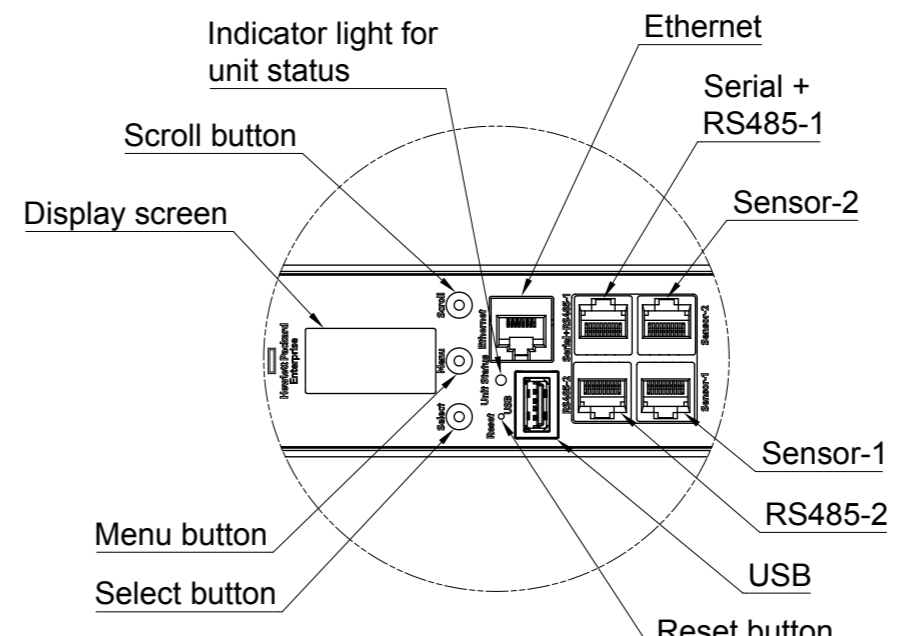
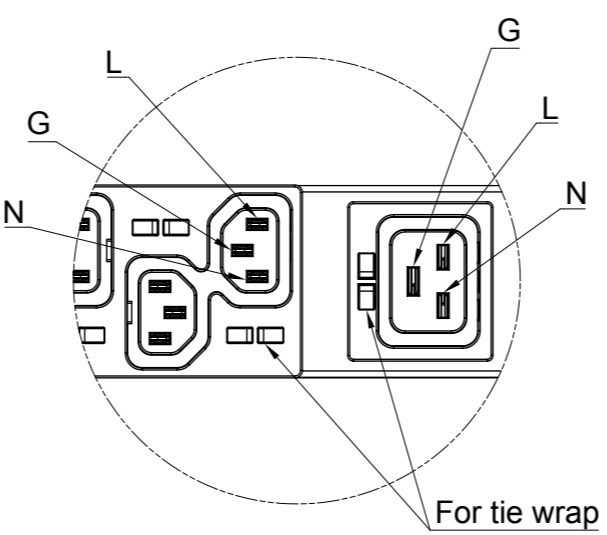
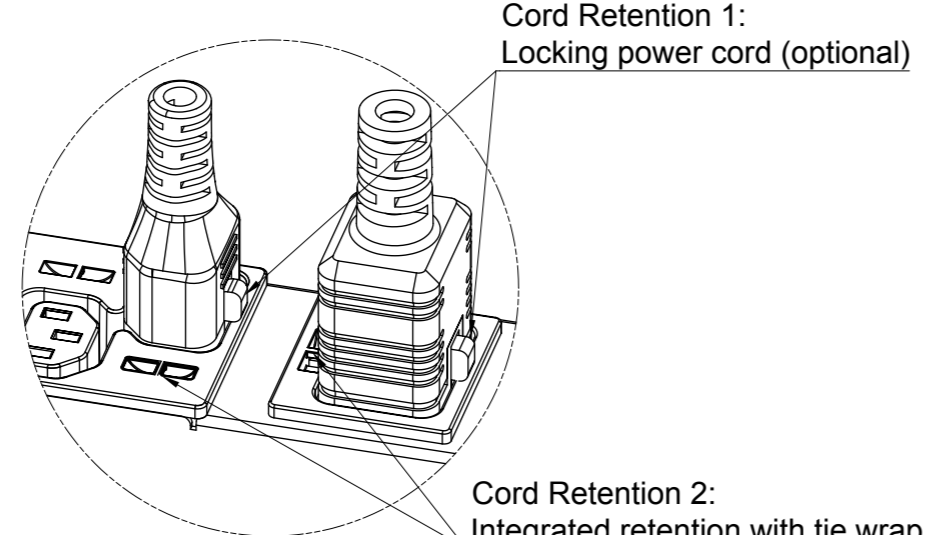
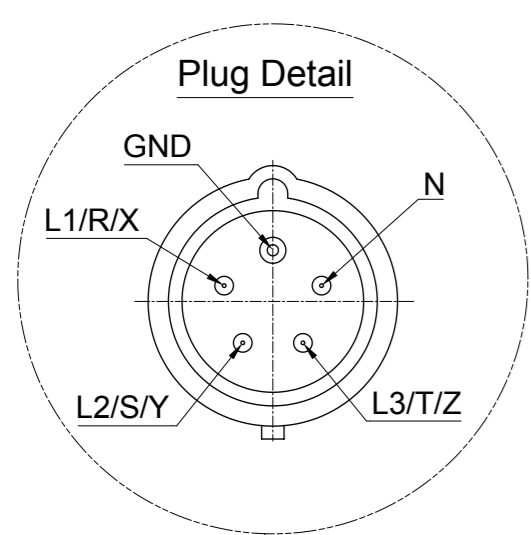
### Unit Weight

Weight 16.5lbs (7.5kg)

### Wiring Scheme

PDU Classification	Metered
Part Number	P9R77A
Specification Number	866833-A





**Product Information**

**Input Ratings**  
 Nominal Voltage 230VAC, 3-Ph, 50/60Hz  
 Input Plug IEC 60309 16A 5-wire  
 Cord Type/Length H07RNF5G1.5/10'  
 Current Rating 16A  
 Power Rating (kVA) 11.04 kVA

**Output Ratings**  
 Nominal Voltage 230VAC, 50/60Hz  
 Current Rating 16A

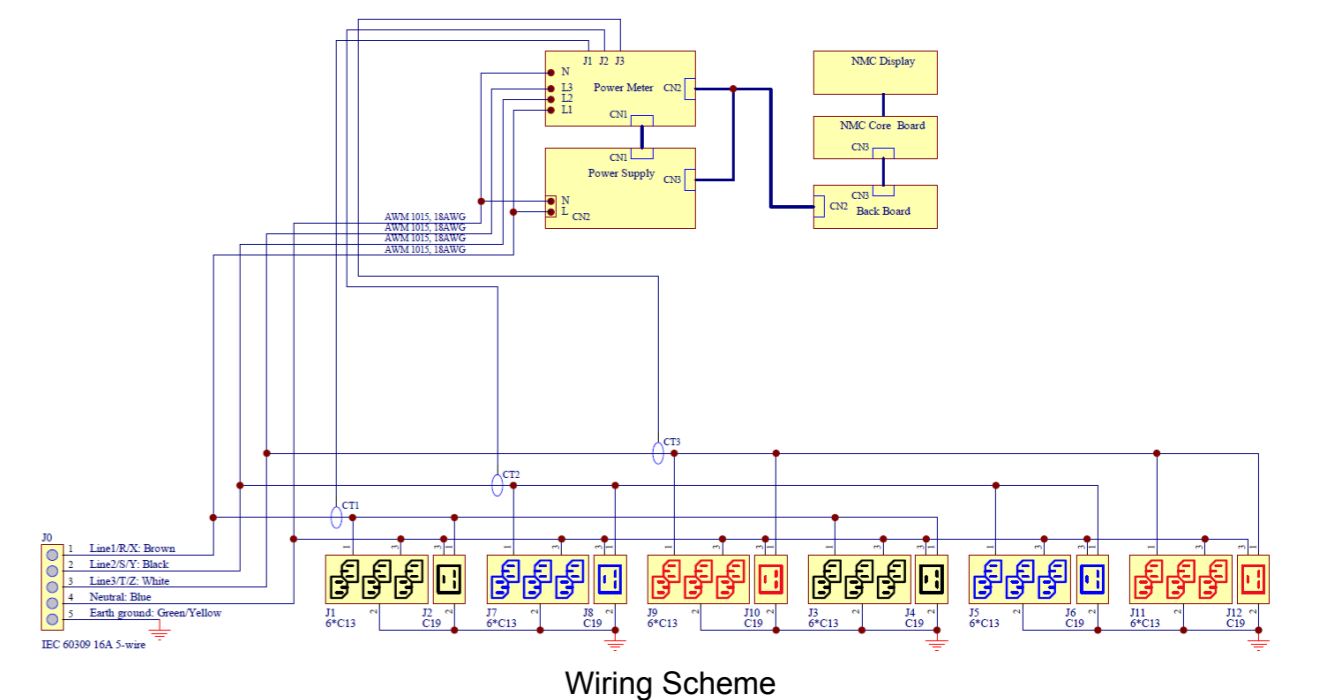
**Outlet Configuration**  
 Total Outlets (36) C13, (6) C19

**Features**  
 Cord Retention 1 Locking power cord (optional)  
 Cord Retention 2 Integrated retention with tie wrap  
 Mounting Option Vertical (0U)  
 Mounting Hardware Included

**Environmental Conditions**  
 Operating Temperature 50-140°F (10-60°C)  
 Operating Rel Humidity 10-90%  
 Operating Elevation 0-10000ft (0-3000m)

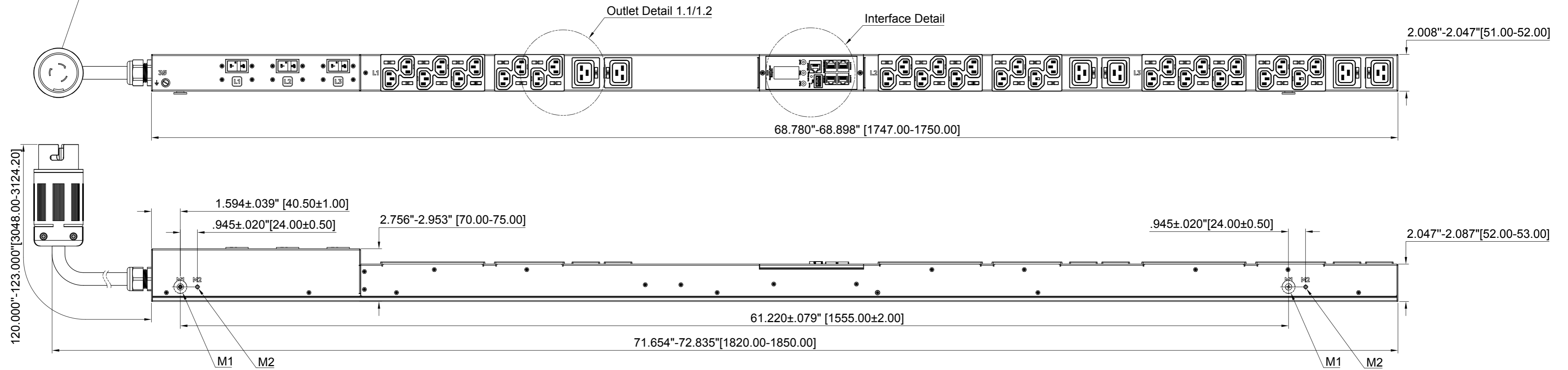
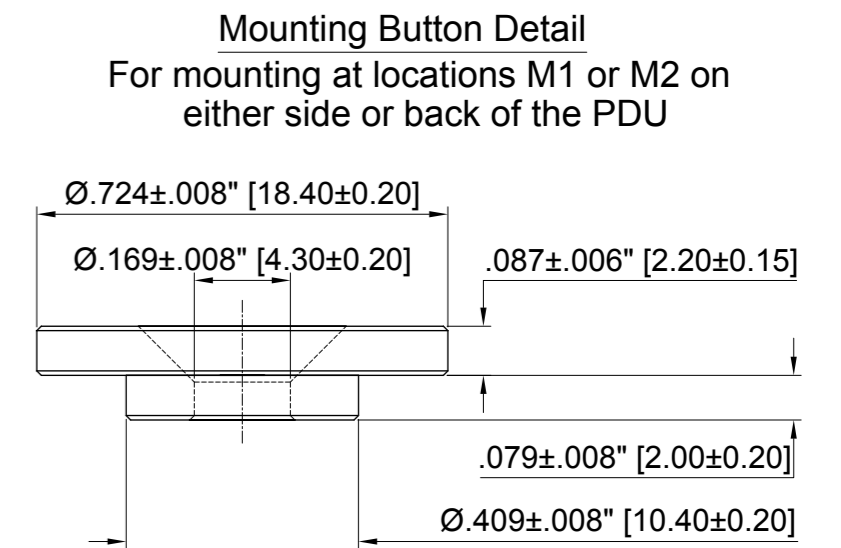
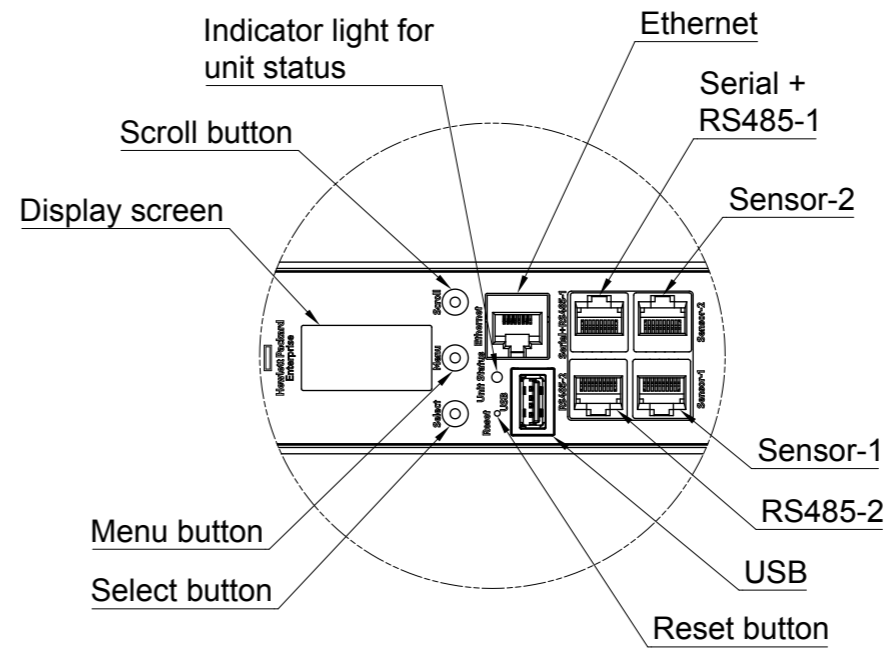
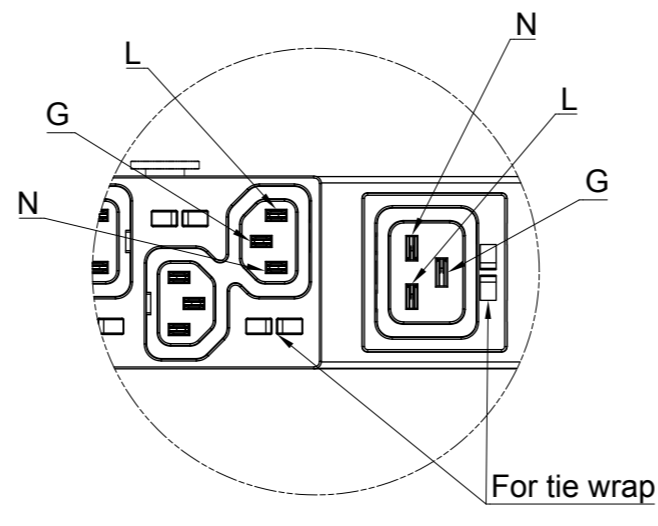
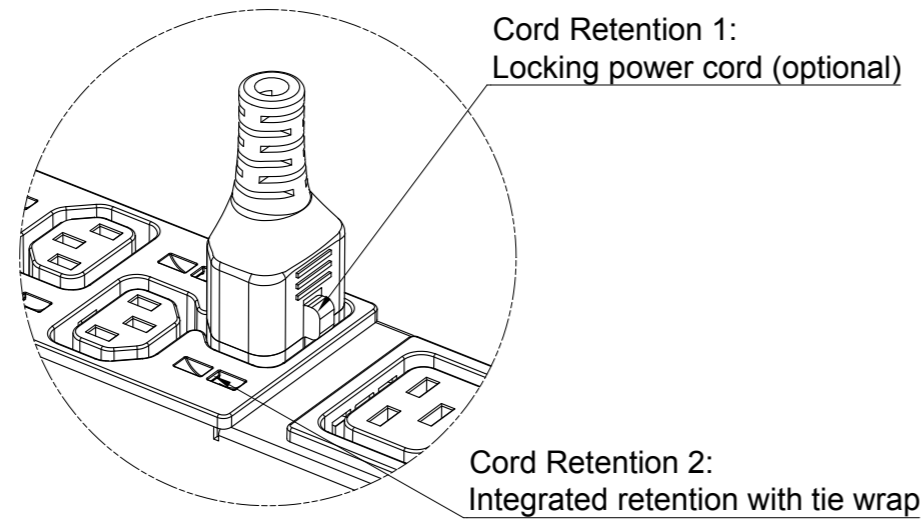
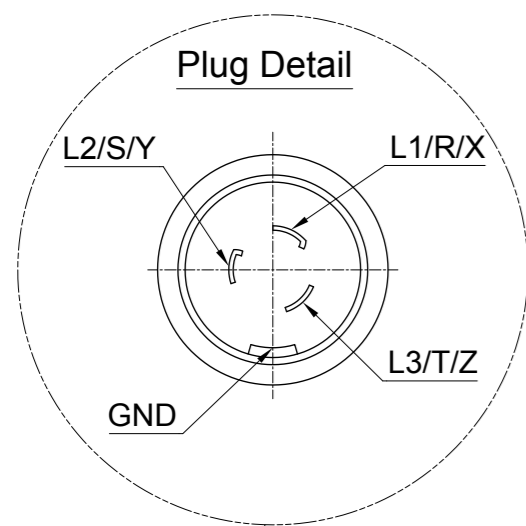
**Regulatory Information**  
 CE, DEMKO, EAC, KC, KCC, ACMA

**Unit Weight**  
 Weight 12.5lbs (5.7kg)



PDU Classification	Metered
Part Number	P9R61A
Specification Number	866833-A





**Product Information**

**Input Ratings**

Nominal Voltage	208VAC, 3-Ph, 50/60Hz
Input Plug	CS8365C 50A 4W
Cord Type/Length	Type SOOW; 90°C; 600V; 8AWG; 4C/10'
Current Rating	28A (Derated)
Power Rating (kVA)	9.98 kVA

**Output Ratings**

Nominal Voltage	208VAC, 50/60Hz
Current Rating	28A
Current/Breaker	16A (Derated)

**Outlet Configuration**

Total Outlets	(30) C13, (6) C19
Outlets/Load Segment	(10) C13, (2) C19
Branch Circuit Protection	(3) 2-Pole 20A UL 489 Breaker

**Features**

Cord Retention 1	Locking power cord (optional)
Cord Retention 2	Integrated retention with tie wrap
Mounting Option	Vertical (0U)
Mounting Hardware	Included

**Environmental Conditions**

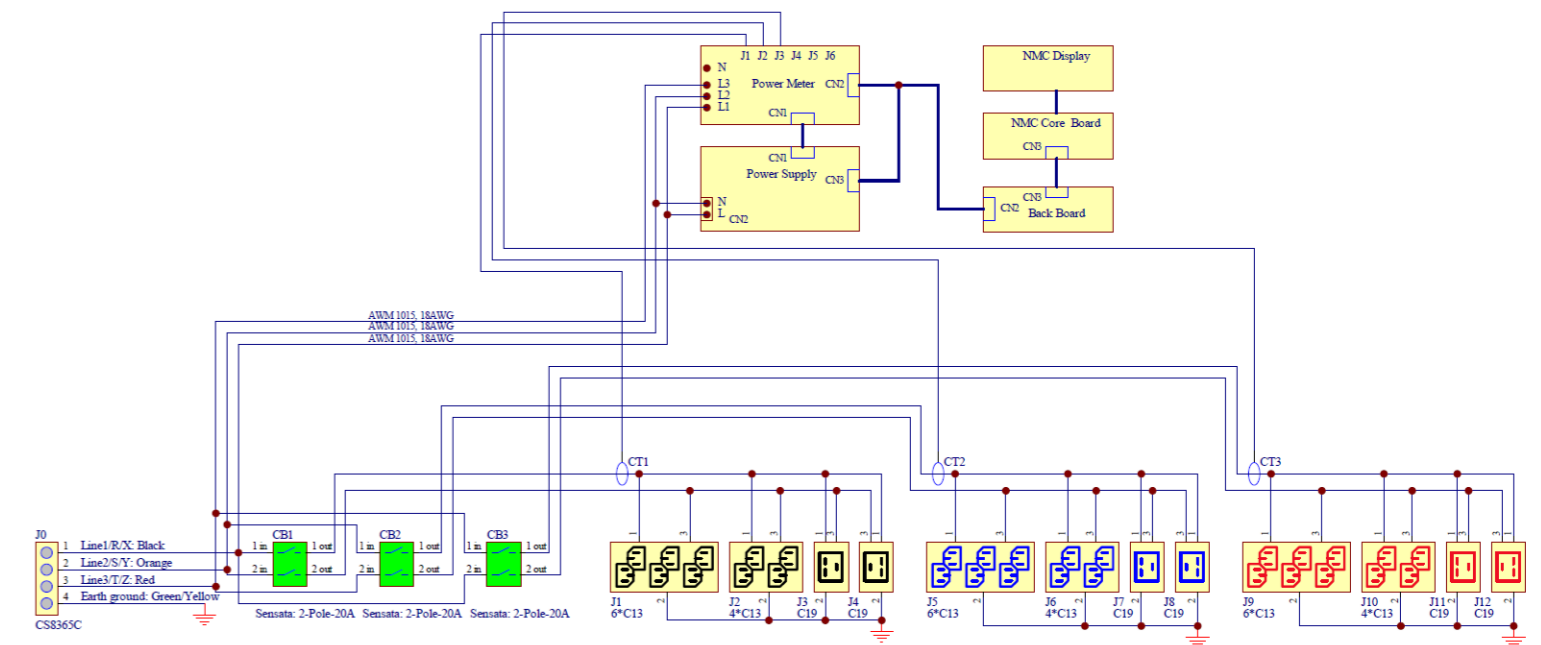
Operating Temperature	50-140°F (10-60°C)
Operating Rel Humidity	10-90%
Operating Elevation	0-10000ft (0-3000m)

**Regulatory Information**

UL or CSA, CB test+ FCC, ICES, VCCI

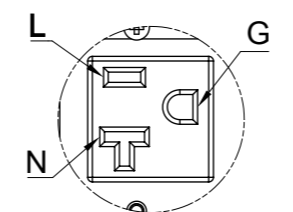
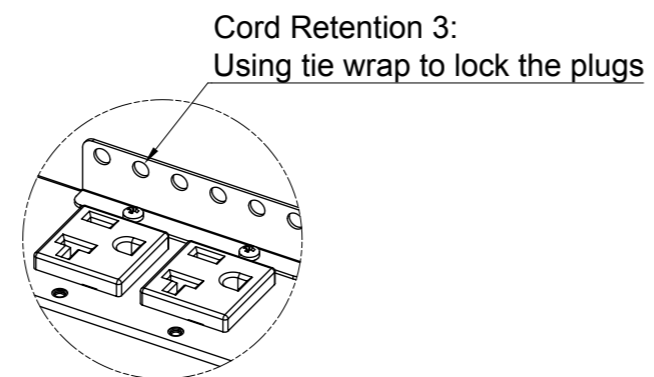
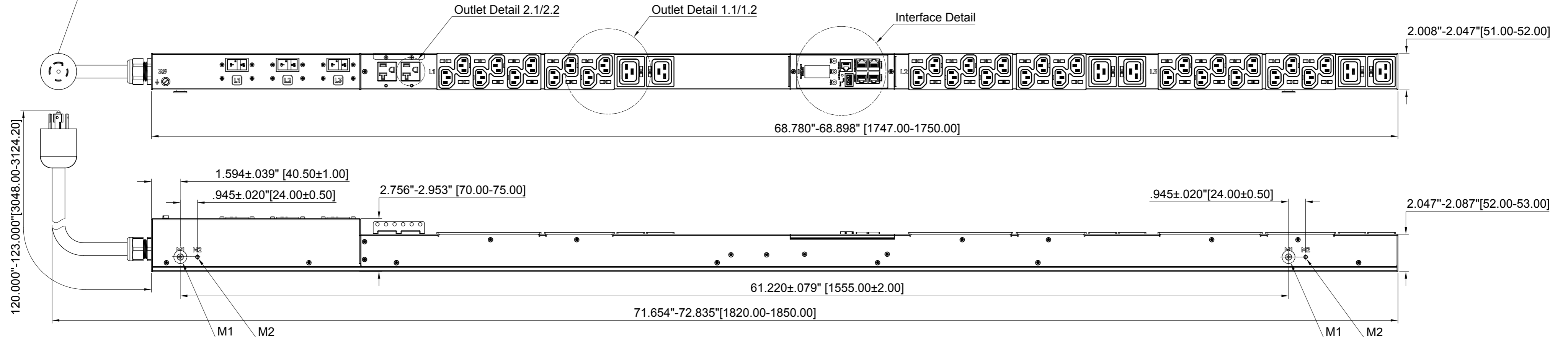
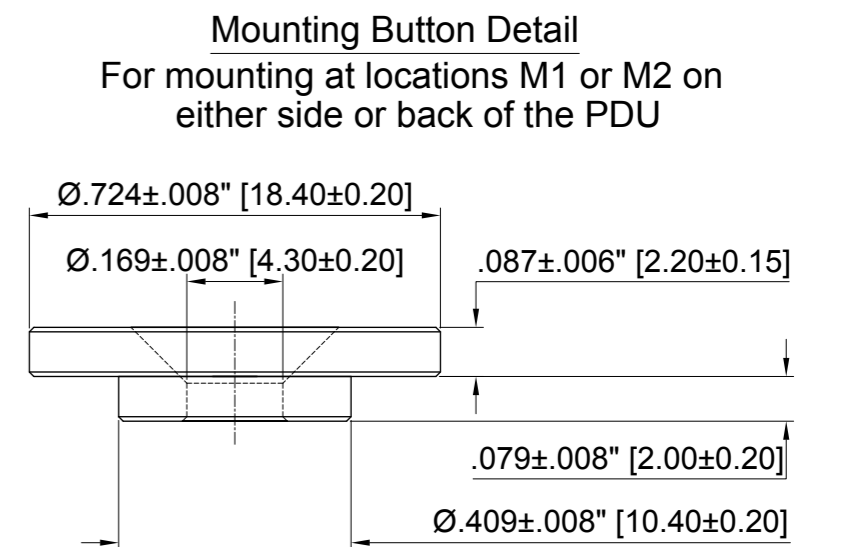
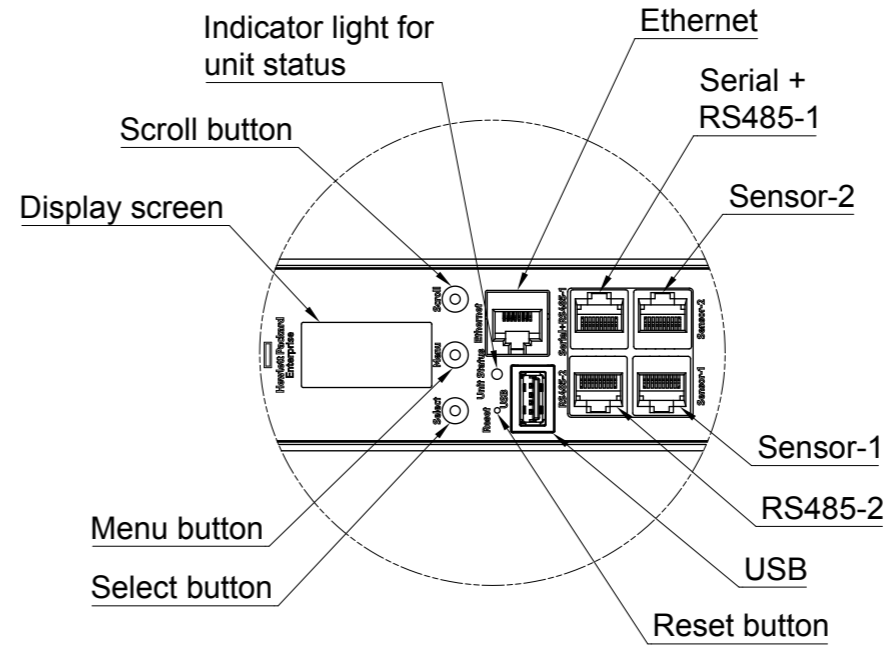
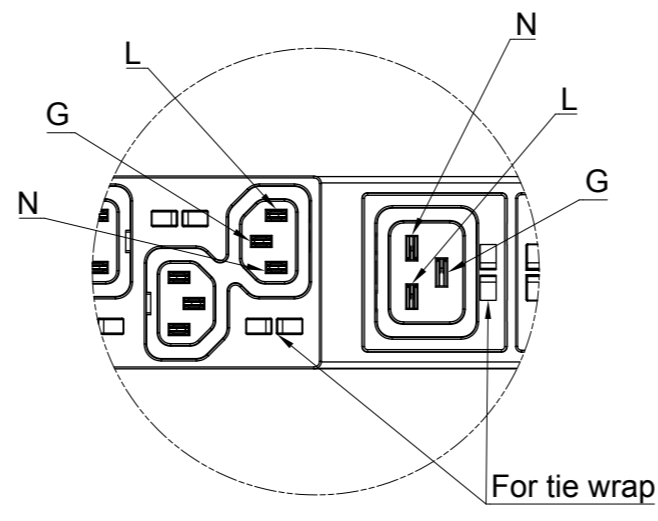
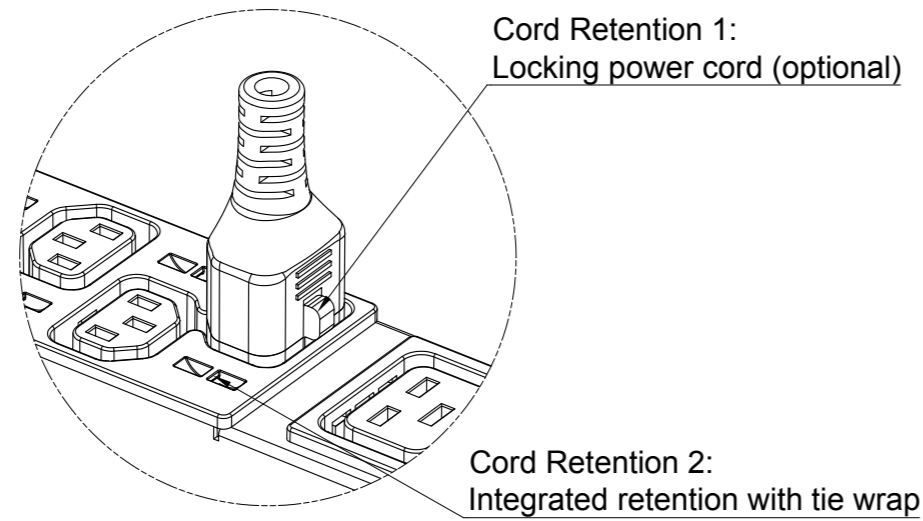
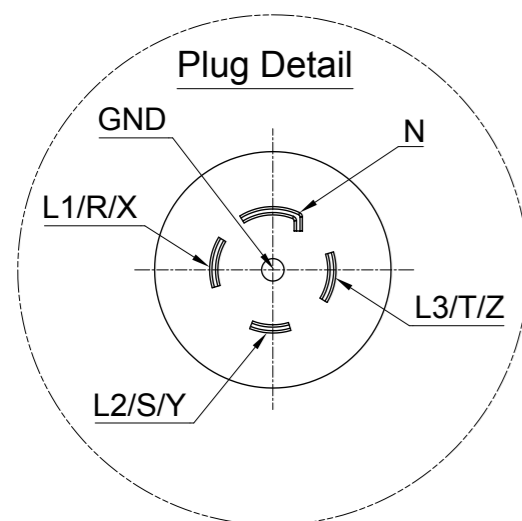
**Unit Weight**

Weight 18.0lbs (8.2kg)



Wiring Scheme

PDU Classification	Metered
Part Number	P9R60A
Specification Number	866833-A



**Product Information**

**Input Ratings**

Nominal Voltage 208VAC, 3-Ph, 50/60Hz  
 Input Plug NEMA L21-30P (Over-molded)  
 Cord Type/Length Type SJT; 90°C; 300V; 10AWG; 5C/10'  
 Current Rating 24A (Derated)  
 Power Rating (kVA) 8.646 kVA

**Output Ratings**

Nominal Voltage 208VAC, 50/60Hz  
 Current Rating 24A  
 Current/Breaker 16A (Derated)

**Outlet Configuration**

Total Outlets (30) C13, (6) C19, (2) 5-20R  
 Outlets/Load Segment L1: (10) C13, (2) C19, (2) 5-20R  
 L2&L3: (10) C13, (2) C19  
 Branch Circuit Protection (3) 2-Pole 20A UL 489 Breaker

**Features**

Cord Retention 1 Locking power cord (optional)  
 Cord Retention 2 Integrated retention with tie wrap  
 Cord Retention 3 Using tie wrap to lock the plugs  
 Mounting Option Vertical (0U)  
 Mounting Hardware Included

**Environmental Conditions**

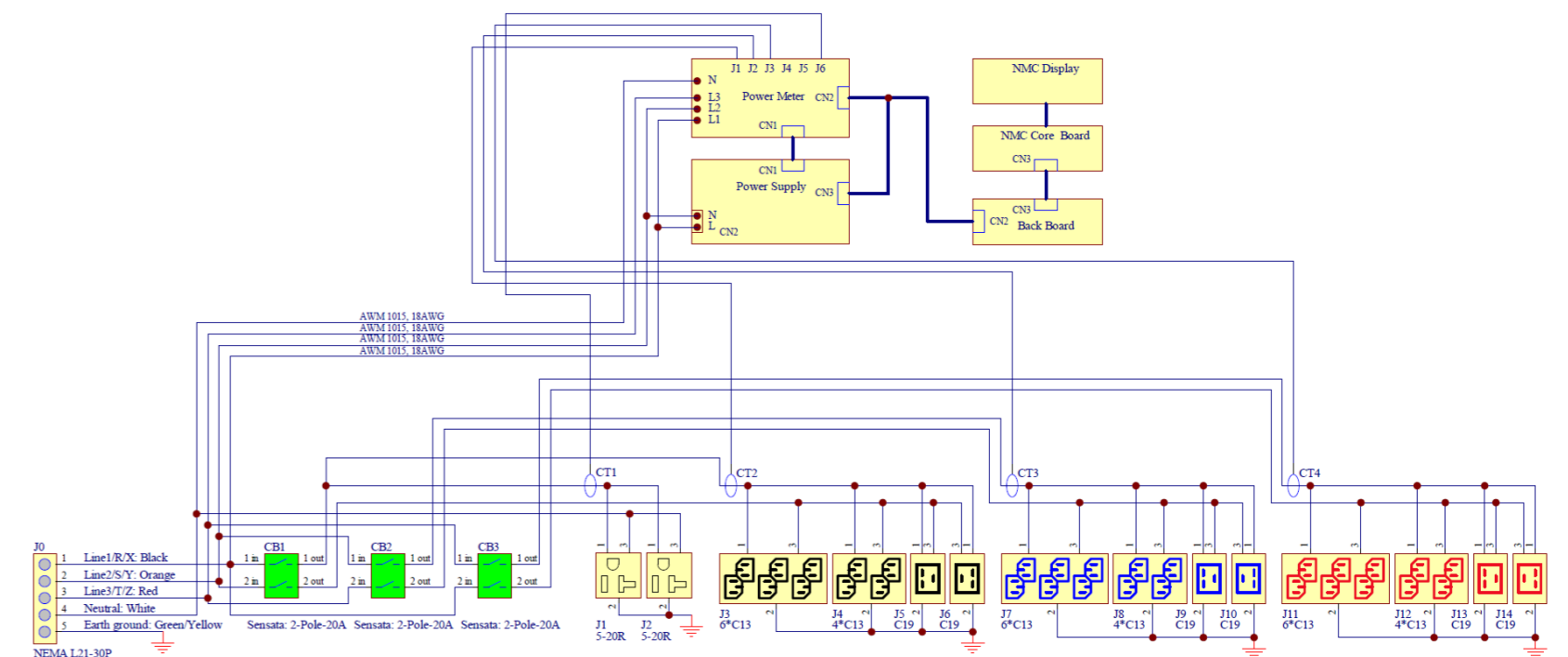
Operating Temperature 50-140°F (10-60°C)  
 Operating Rel Humidity 10-90%  
 Operating Elevation 0-10000ft (0-3000m)

**Regulatory Information**

UL or CSA, CB test+ FCC, ICES, VCCI

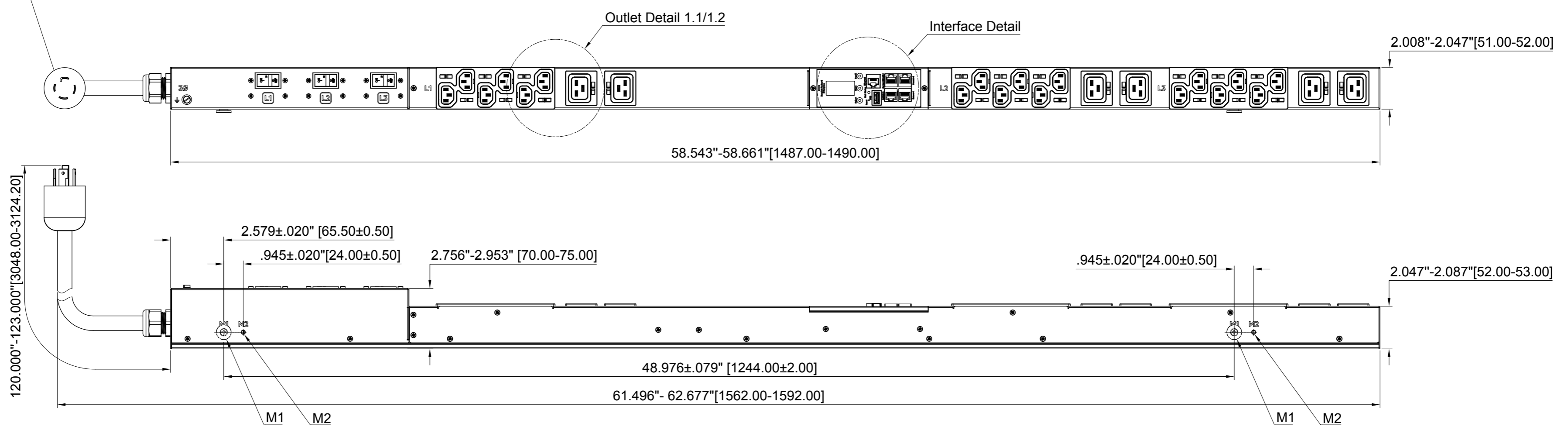
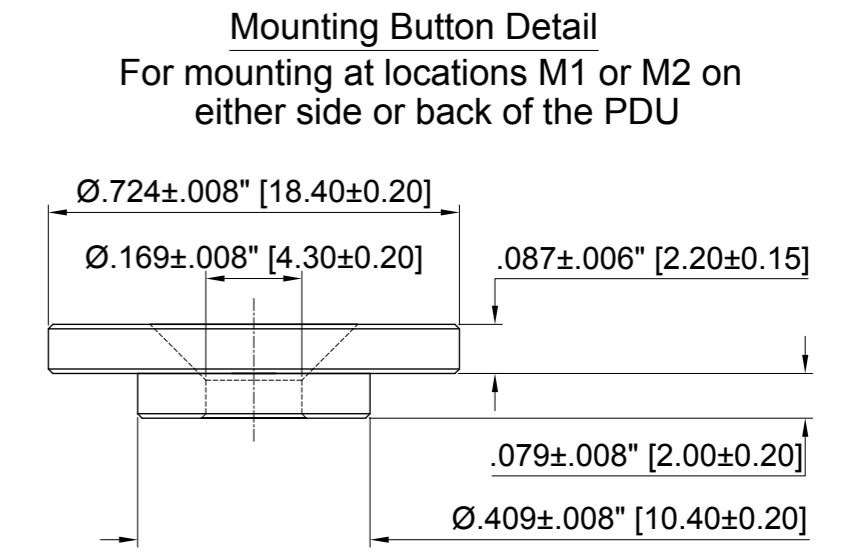
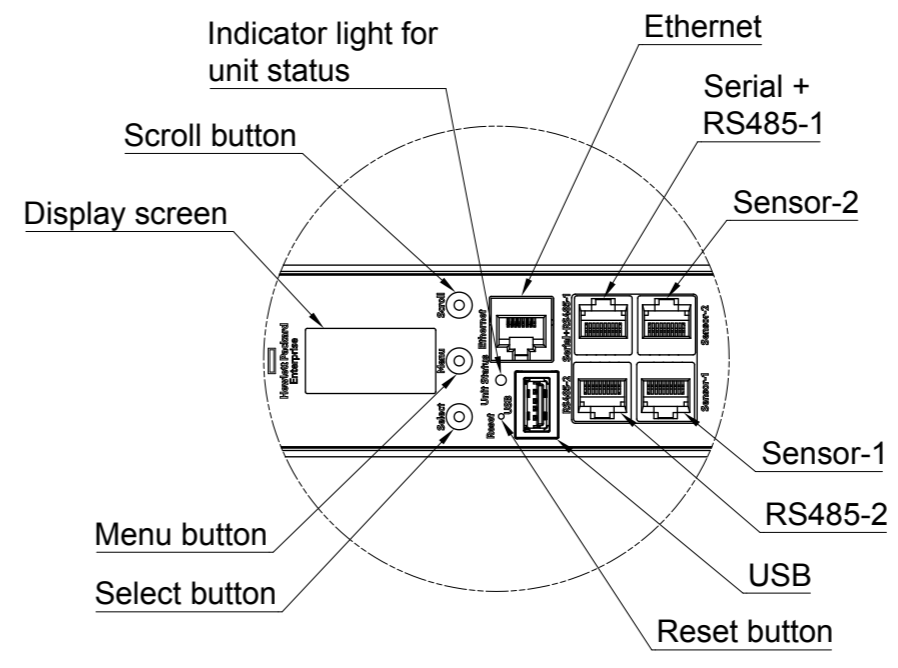
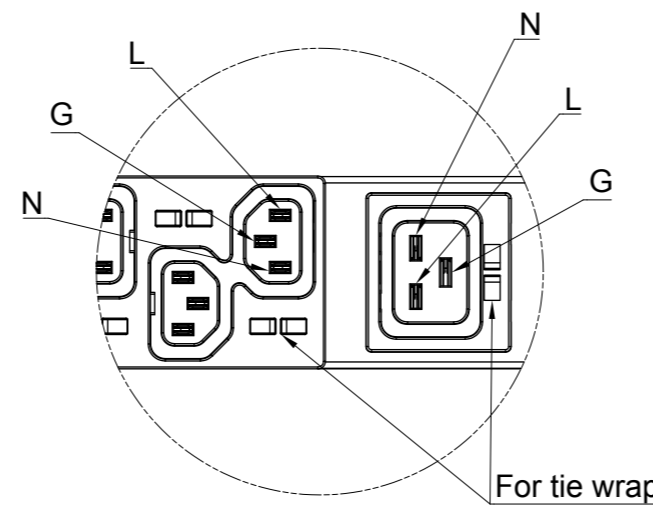
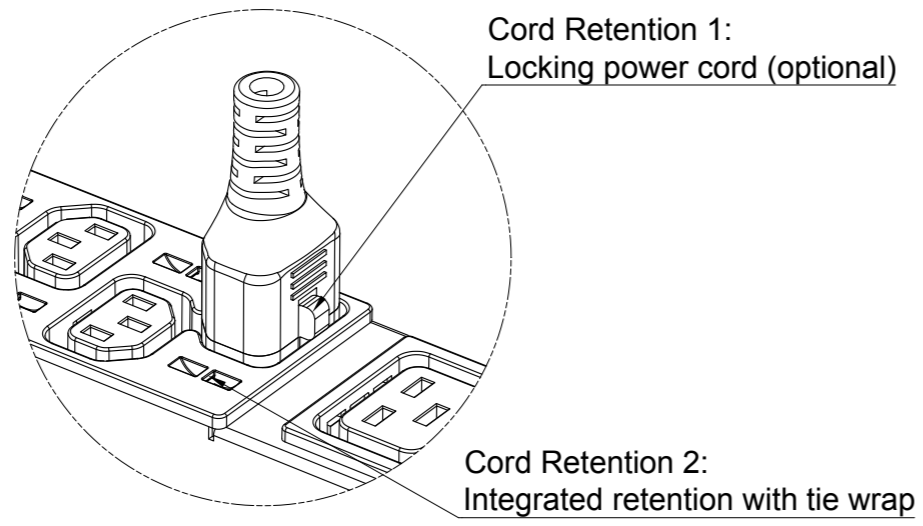
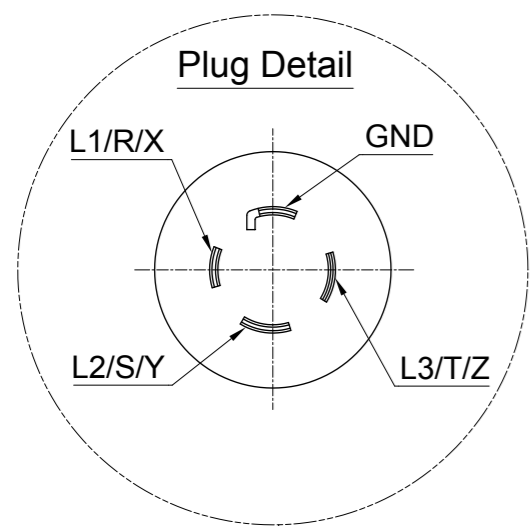
**Unit Weight**

Weight 17.2lbs (7.8kg)



Wiring Scheme

PDU Classification	Metered
Part Number	P9R59A
Specification Number	866833-A



**Product Information**

**Input Ratings**  
 Nominal Voltage 208VAC, 3-Ph, 50/60Hz  
 Input Plug NEMA L15-30P (Over-molded)  
 Cord Type/Length Type SJT; 90°C; 300V; 10AWG; 4C/10'  
 Current Rating 24A (Derated)  
 Power Rating (kVA) 8.646 kVA

**Output Ratings**  
 Nominal Voltage 208VAC, 50/60Hz  
 Current Rating 24A  
 Current/Breaker 16A (Derated)

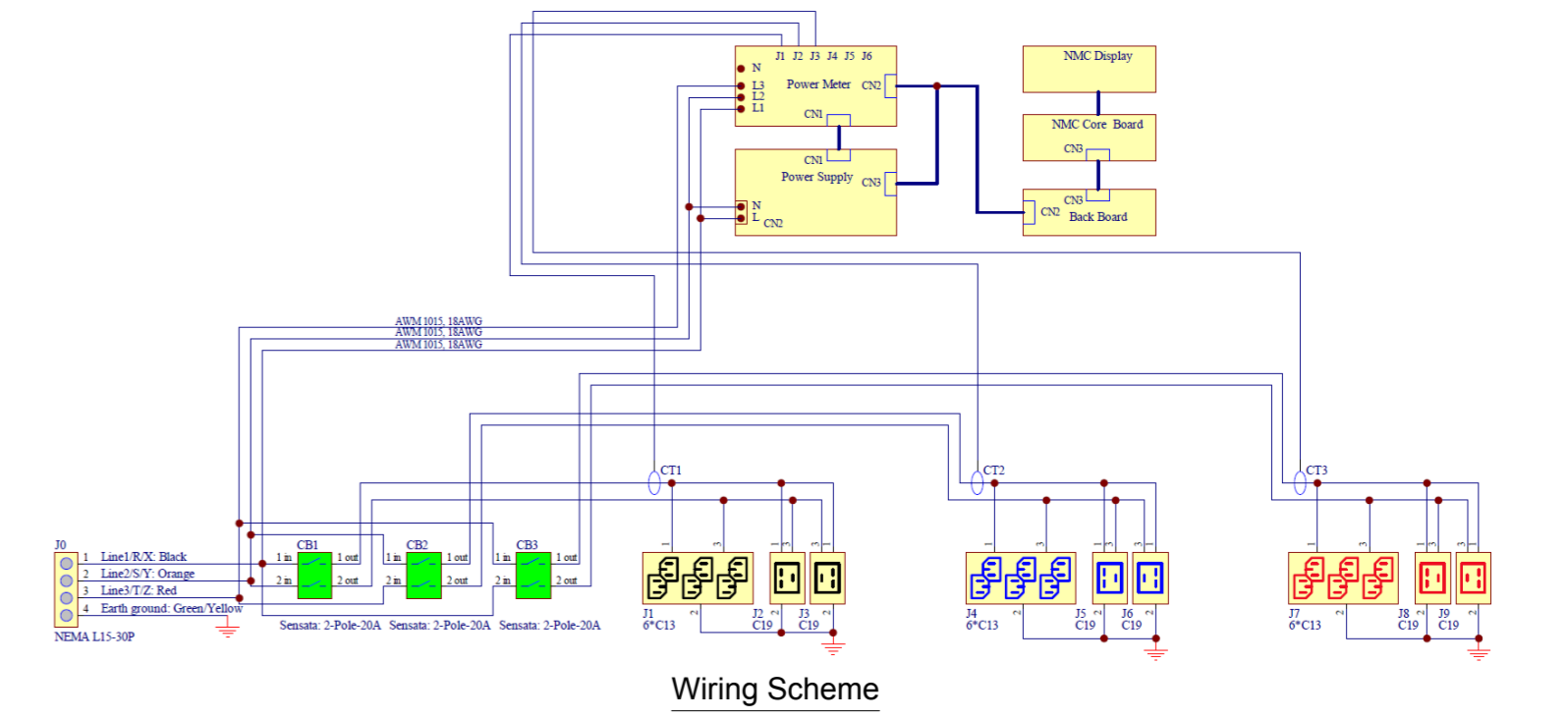
**Outlet Configuration**  
 Total Outlets (18) C13, (6) C19  
 Outlets/Load Segment (6) C13, (2) C19  
 Branch Circuit Protection (3) 2-Pole 20A UL 489 Breaker

**Features**  
 Cord Retention 1 Locking power cord (optional)  
 Cord Retention 2 Integrated retention with tie wrap  
 Mounting Option Vertical (0U)  
 Mounting Hardware Included

**Environmental Conditions**  
 Operating Temperature 50-140°F (10-60°C)  
 Operating Rel Humidity 10-90%  
 Operating Elevation 0-10000ft (0-3000m)

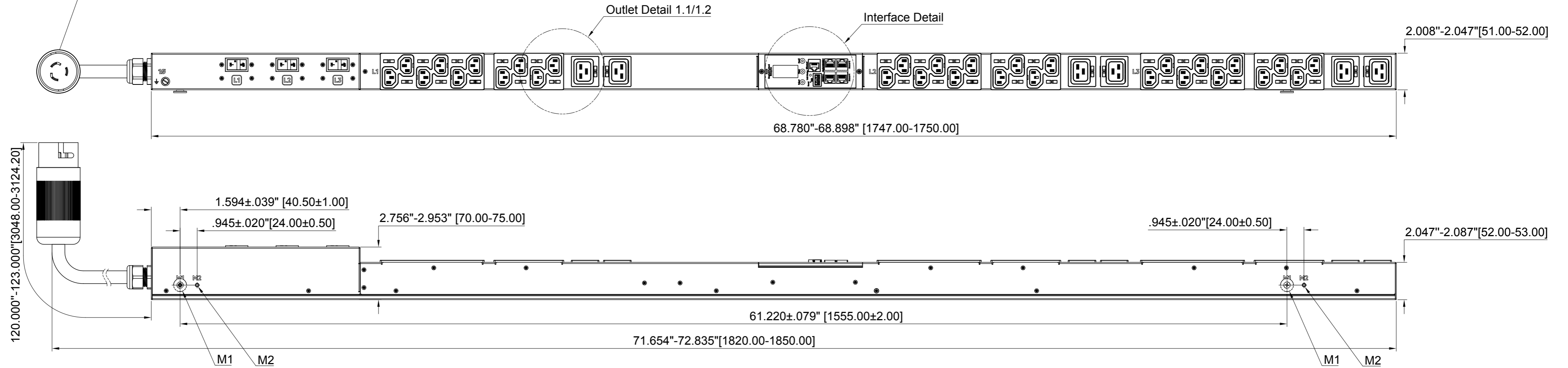
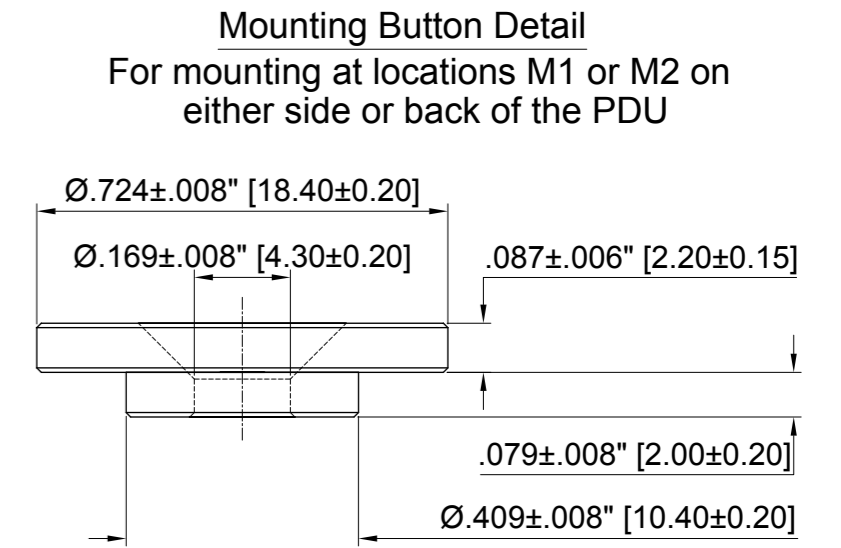
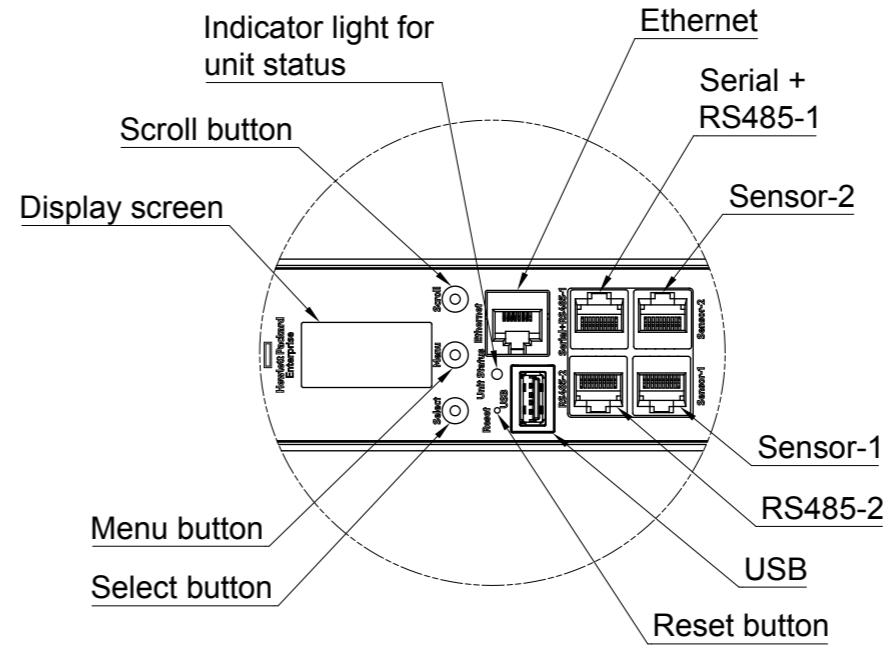
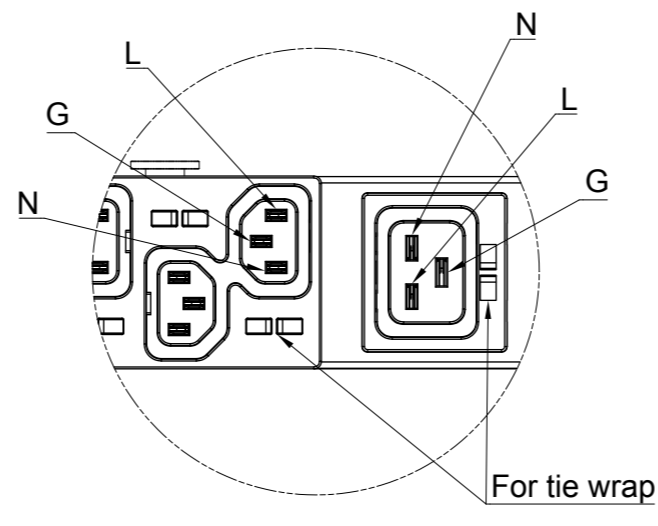
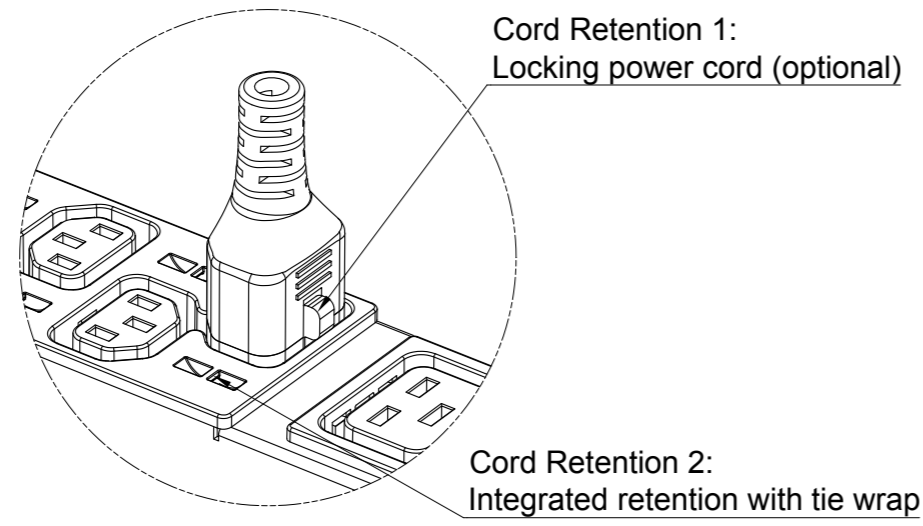
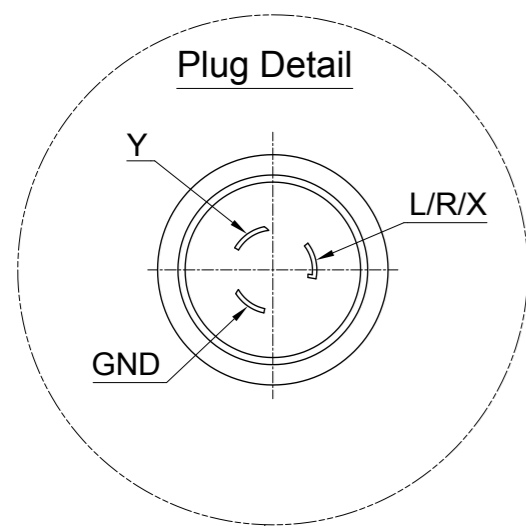
**Regulatory Information**  
 UL or CSA, CB test+ FCC, ICES, VCCI

**Unit Weight**  
 Weight 14.5lbs (6.6kg)



PDU Classification	Metered
Part Number	P9R58A
Specification Number	866833-A





**Product Information**

**Input Ratings**

Nominal Voltage	208VAC, 1-Ph, 50/60Hz
Input Plug	CS8265C
Cord Type/Length	Type SOOW; 90°C; 600V; 8AWG; 3C/10'
Current Rating	40A (Derated)
Power Rating (kVA)	8.32 kVA

**Output Ratings**

Nominal Voltage	208VAC, 50/60Hz
Current Rating	40A
Current/Breaker	16A (Derated)

**Outlet Configuration**

Total Outlets	(30) C13, (6) C19
Outlets/Load Segment	(10) C13, (2) C19
Branch Circuit Protection	(3) 2-Pole 20A UL 489 Breaker

**Features**

Cord Retention 1	Locking power cord (optional)
Cord Retention 2	Integrated retention with tie wrap
Mounting Option	Vertical (0U)
Mounting Hardware	Included

**Environmental Conditions**

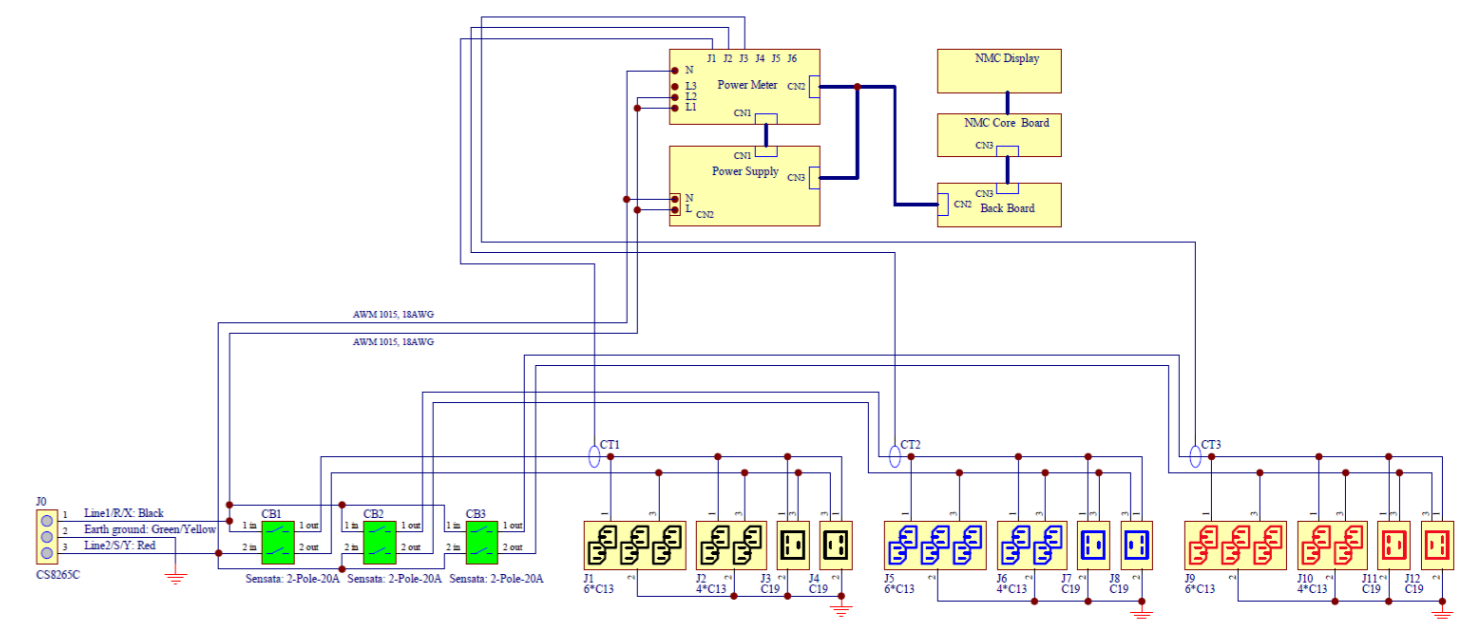
Operating Temperature	50-140°F (10-60°C)
Operating Rel Humidity	10-90%
Operating Elevation	0-10000ft (0-3000m)

**Regulatory Information**

UL or CSA, CB test+ FCC, ICES, VCCI

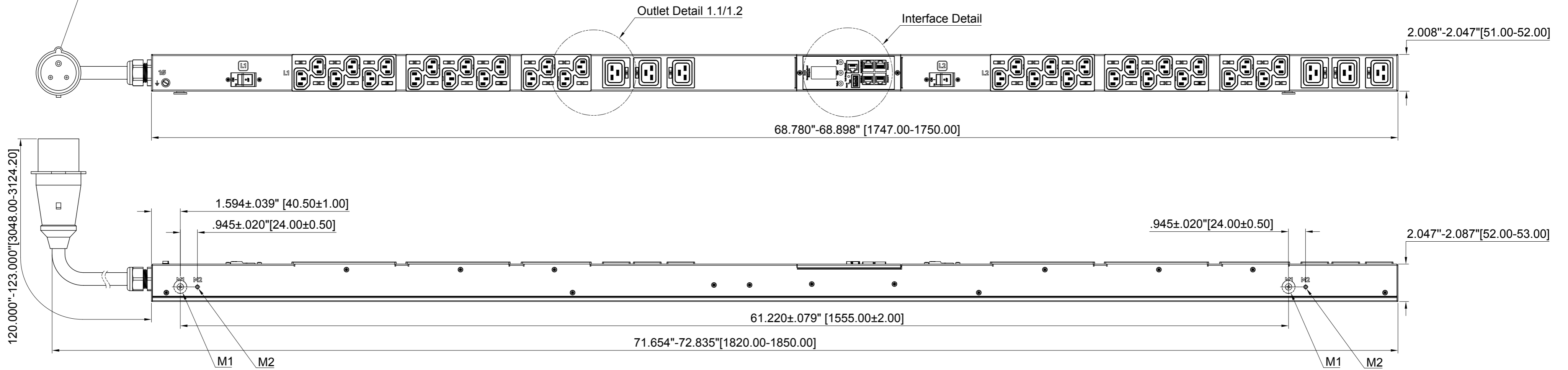
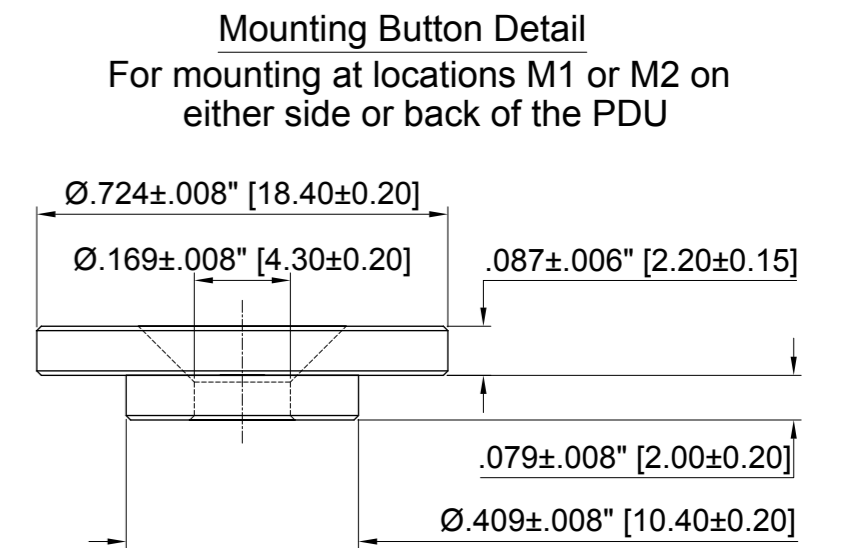
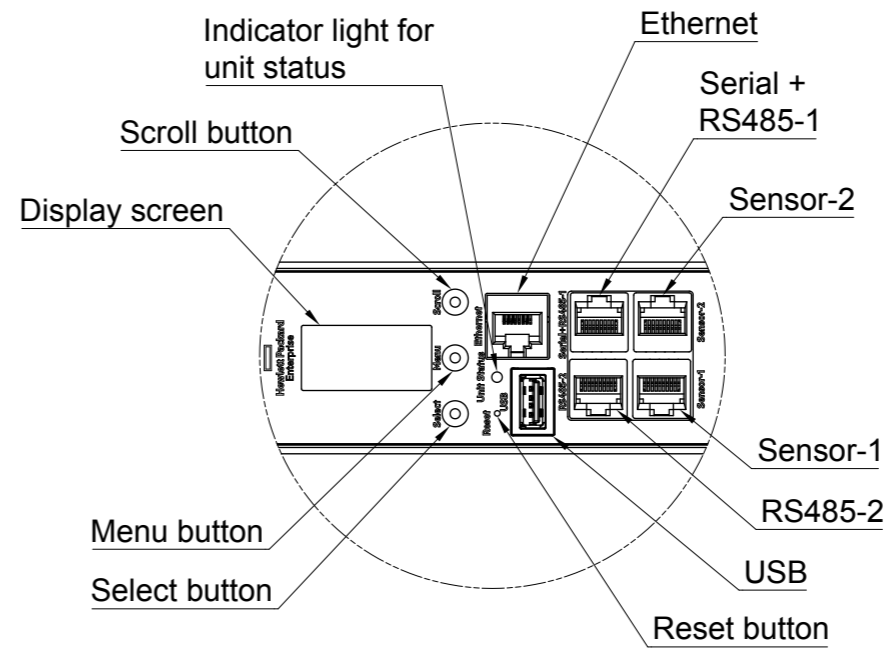
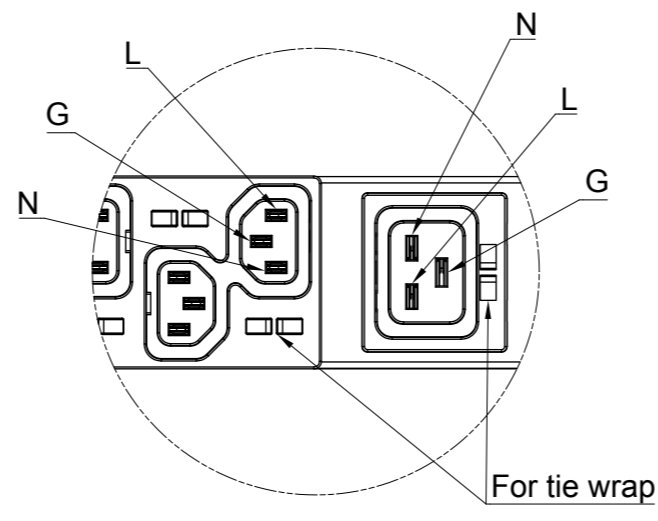
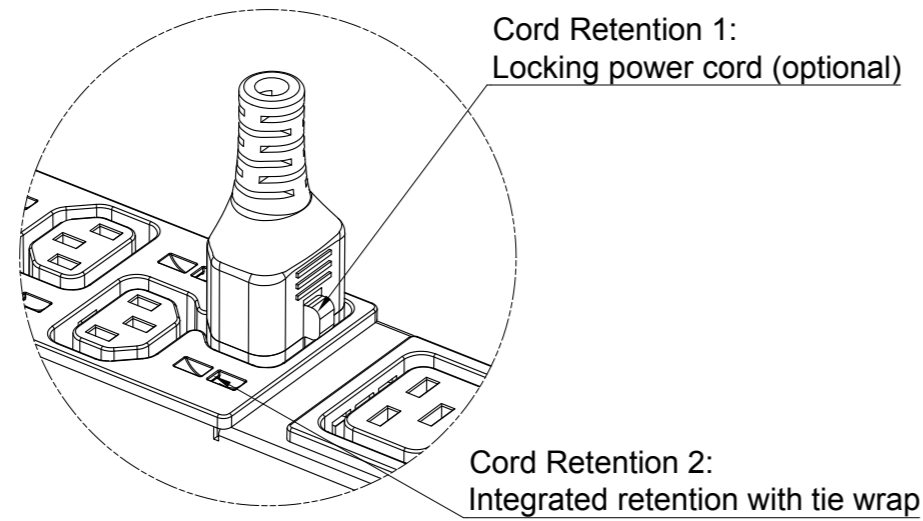
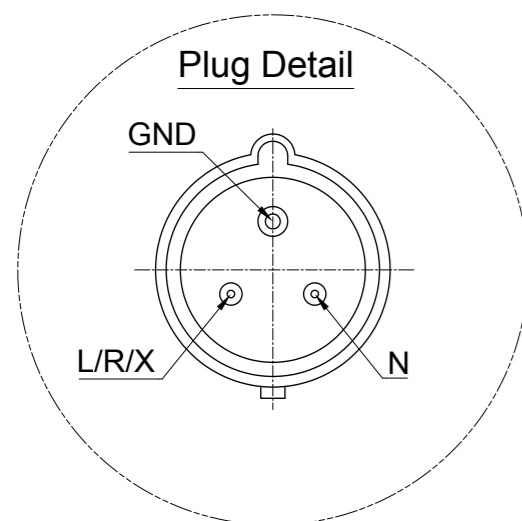
**Unit Weight**

Weight 17.6lbs (8.0kg)



Wiring Scheme

PDU Classification	Metered
Part Number	P9R57A
Specification Number	866833-A



## Product Information

### Input Ratings

Nominal Voltage	230VAC, 1-Ph, 50/60Hz
Input Plug	IEC 60309 32A 3-wire
Cord Type/Length	H07RNF3G4/10'
Current Rating	32A
Power Rating (kVA)	7.36 kVA

### Output Ratings

Nominal Voltage	230VAC, 50/60Hz
Current Rating	32A
Current/Breaker	16A

### Outlet Configuration

Total Outlets	(32) C13, (6) C19
Outlets/Load Segment	(16) C13, (3) C19
Branch Circuit Protection	(2) 1-Pole 16A UL 489 Breaker

### Features

Cord Retention 1	Locking power cord (optional)
Cord Retention 2	Integrated retention with tie wrap
Mounting Option	Vertical (0U)
Mounting Hardware	Included

### Environmental Conditions

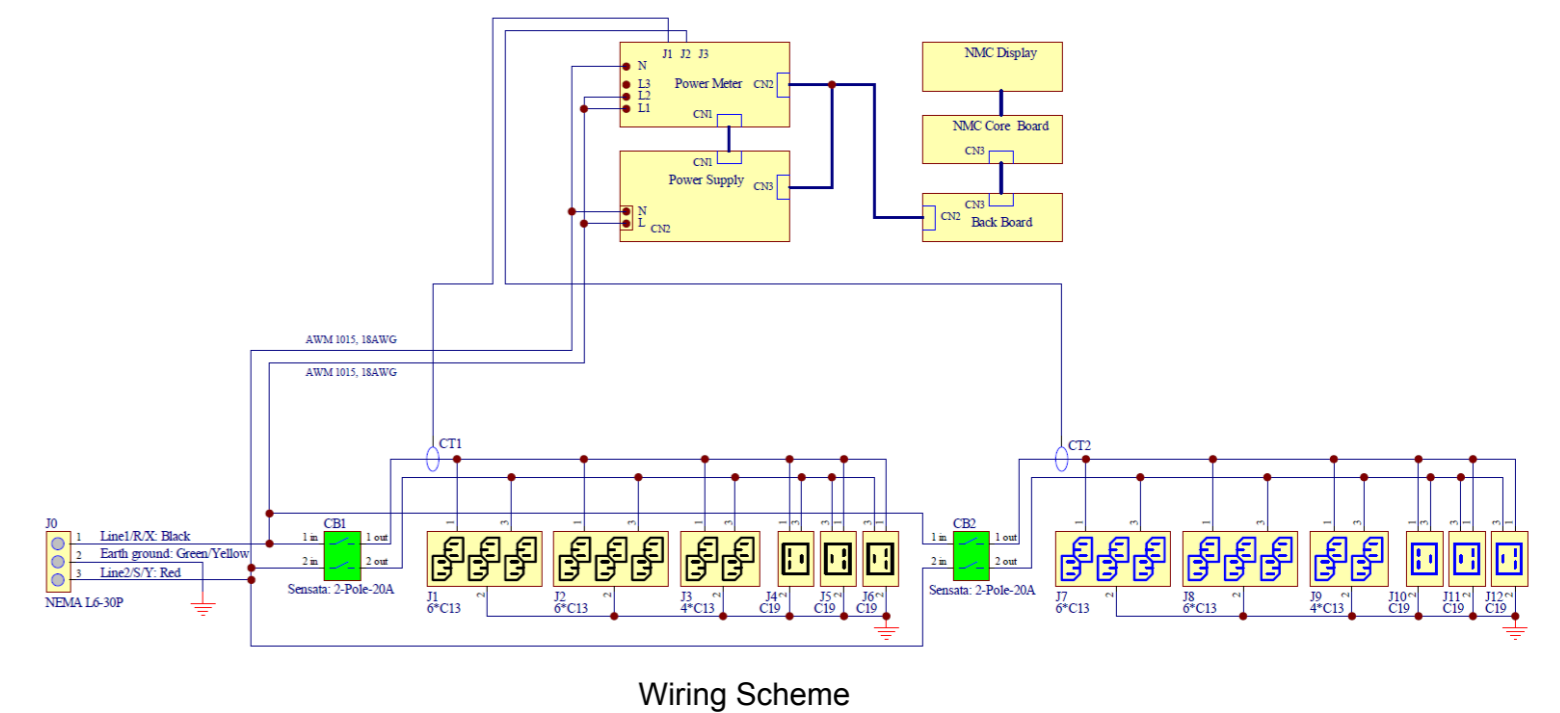
Operating Temperature	50-140°F (10-60°C)
Operating Rel Humidity	10-90%
Operating Elevation	0-10000ft (0-3000m)

### Regulatory Information

CE, DEMKO, EAC, KC, KCC, ACMA

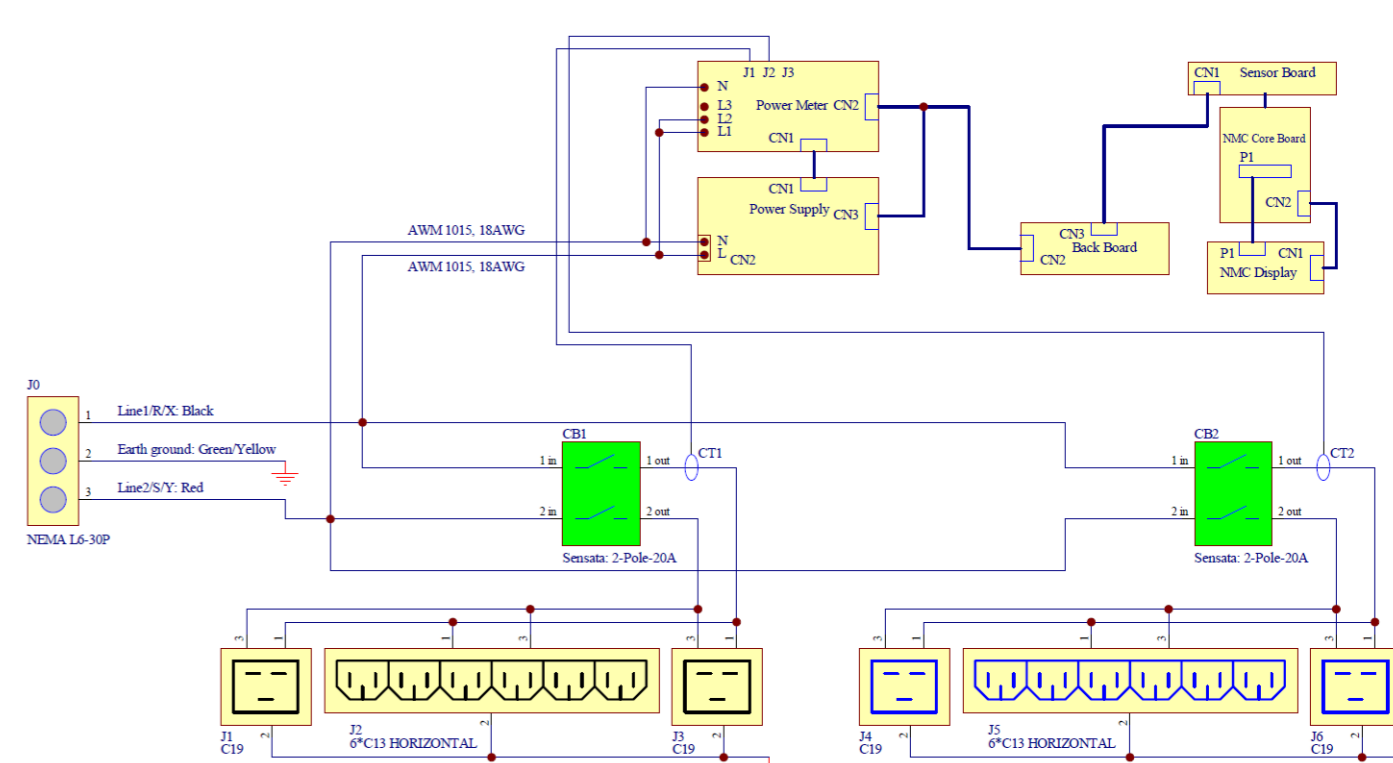
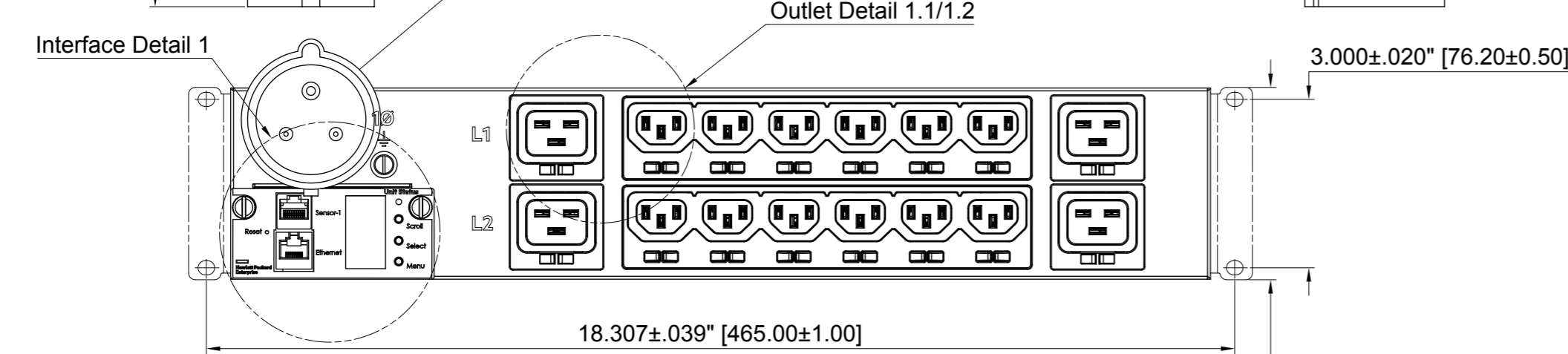
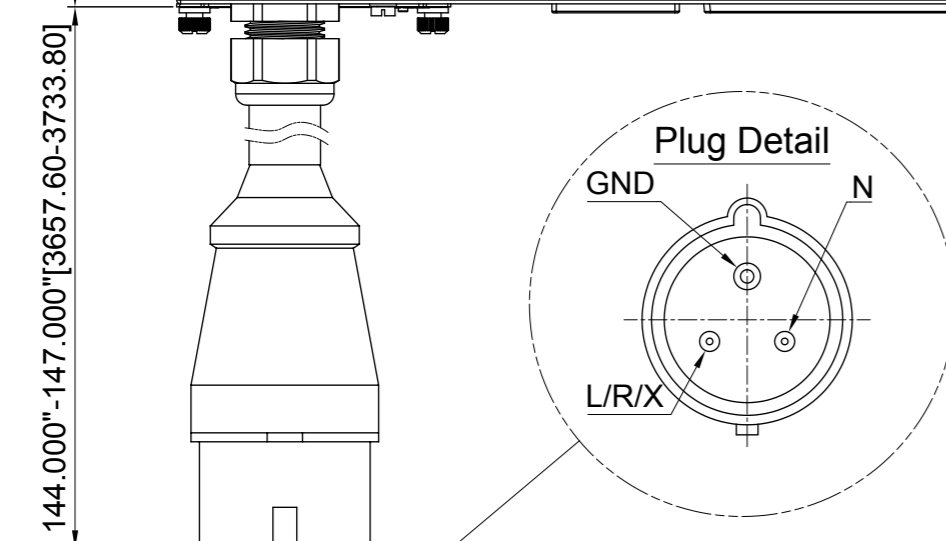
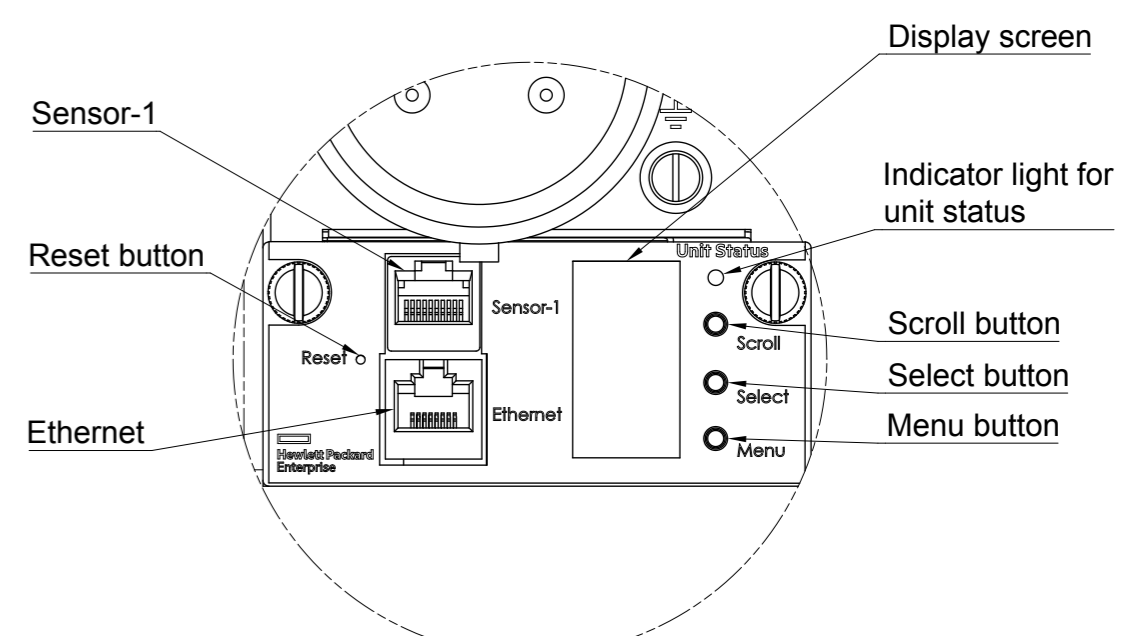
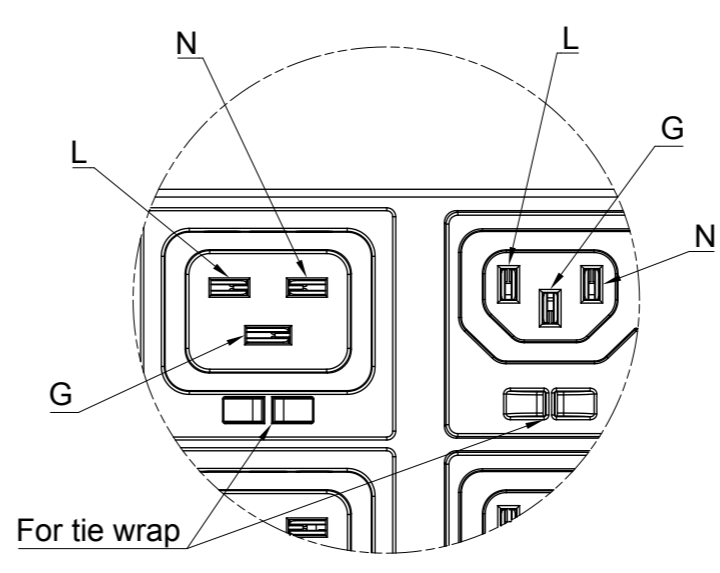
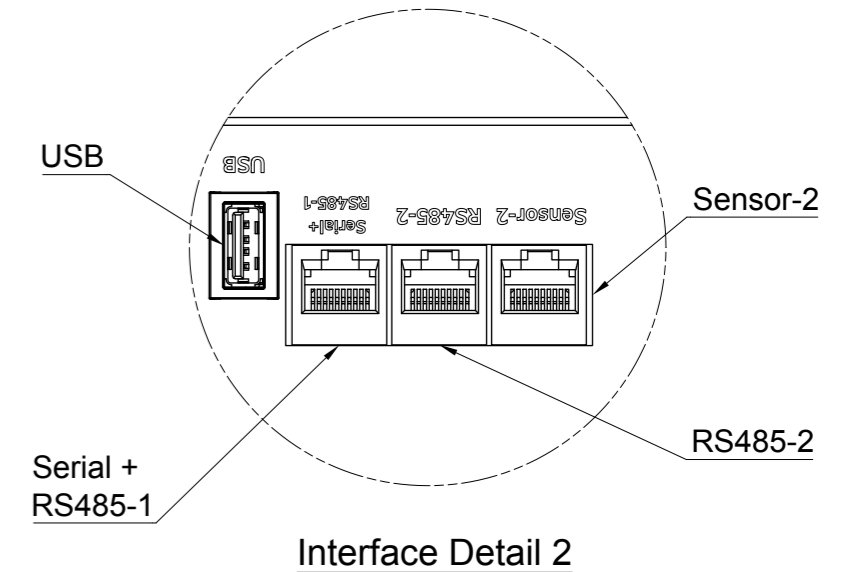
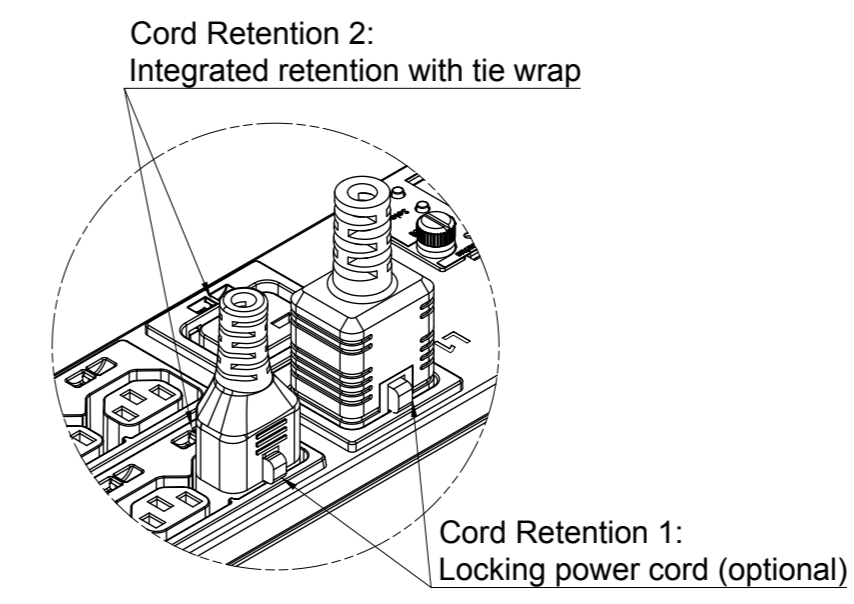
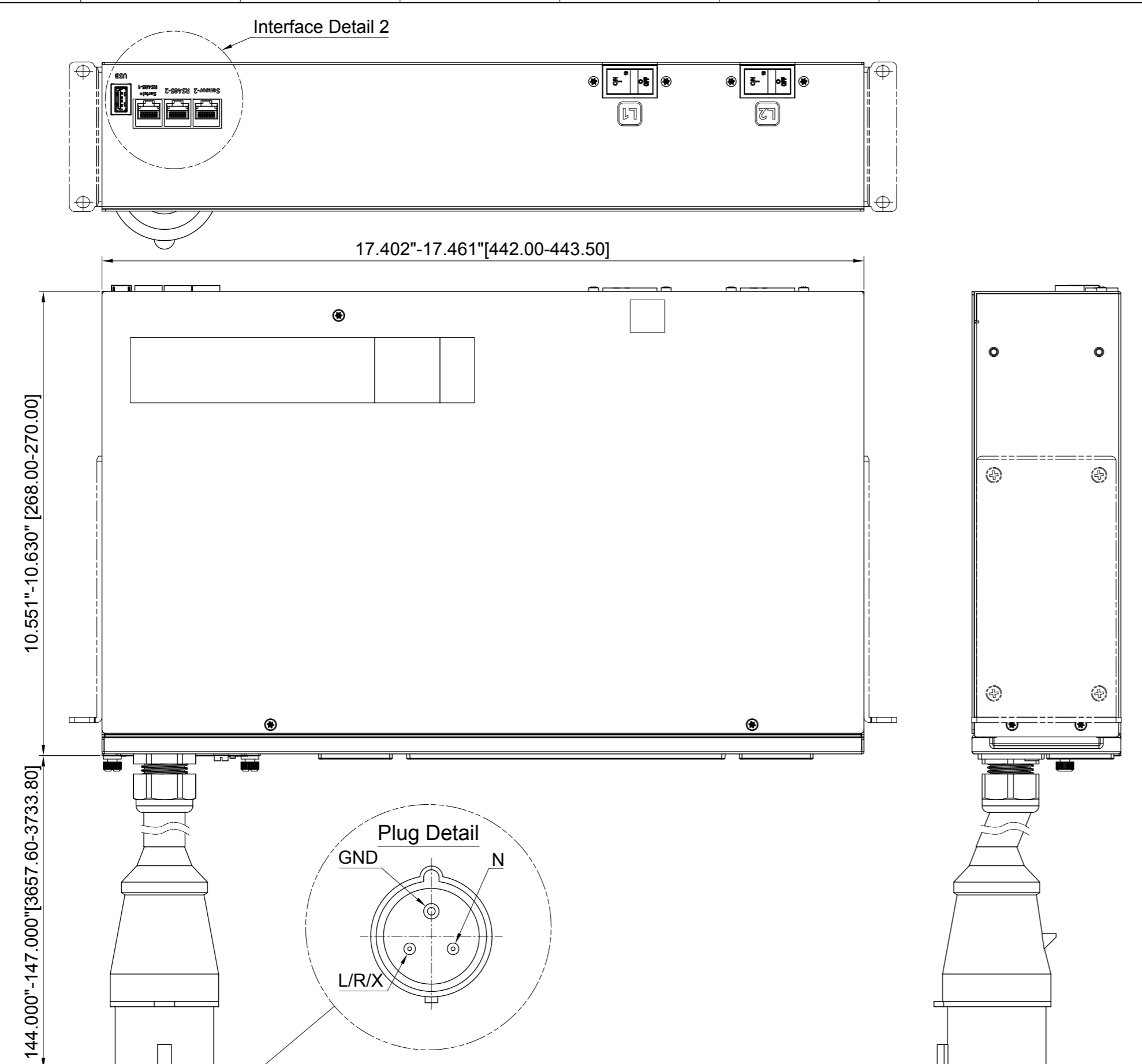
### Unit Weight

Weight 14.4lbs (6.5kg)



PDU Classification	Metered
Part Number	P9R56A
Specification Number	866833-A

**Hewlett Packard**  
Enterprise



### Product Information

Input Ratings	
Nominal Voltage	230VAC, 1-Ph, 50/60Hz
Input Plug	IEC 60309 32A 3-wire
Cord Type/Length	H07RNF3G4/12'
Current Rating	32A
Power Rating (kVA)	7.36 kVA
Output Ratings	
Nominal Voltage	230VAC, 50/60Hz
Current Rating	32A
Current/Breaker	16A

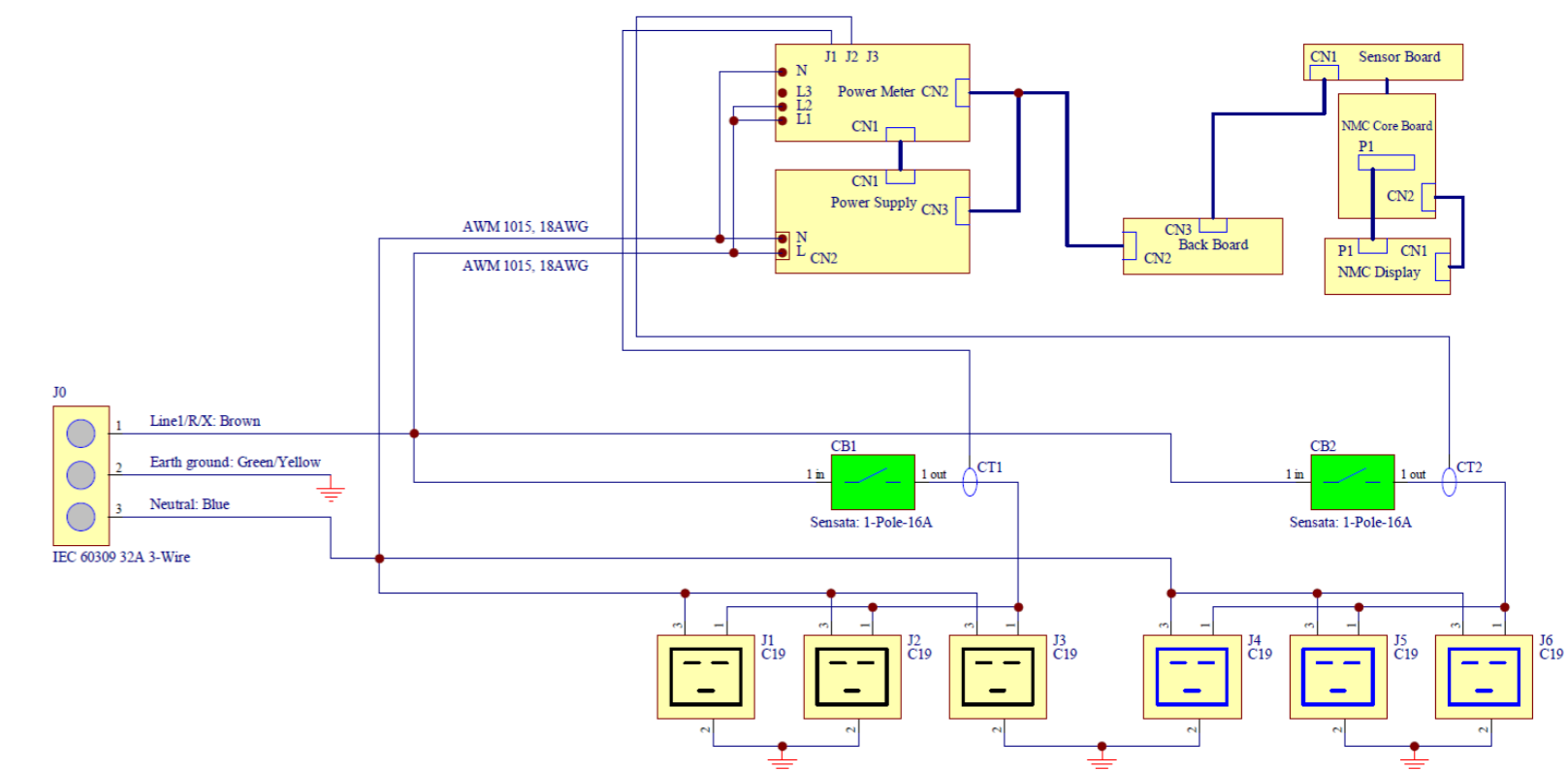
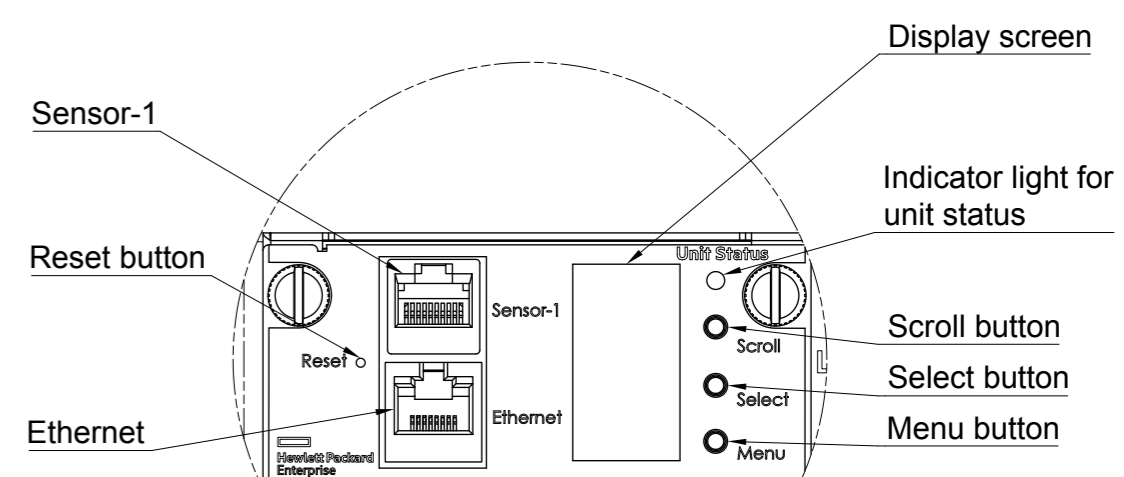
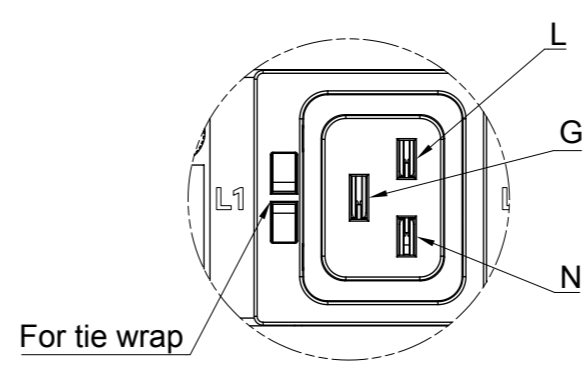
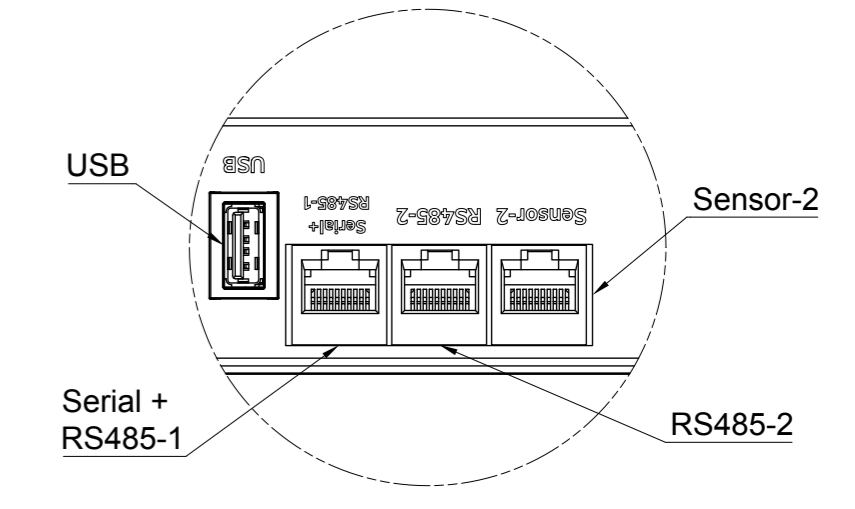
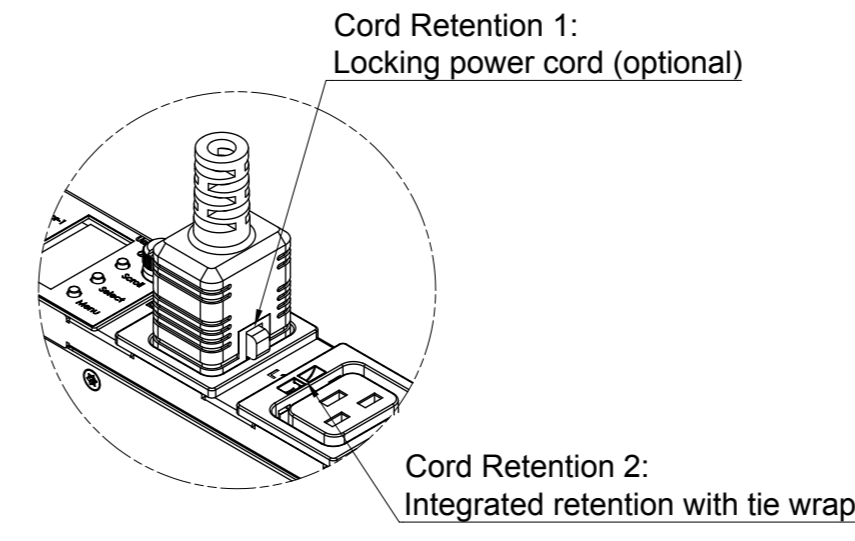
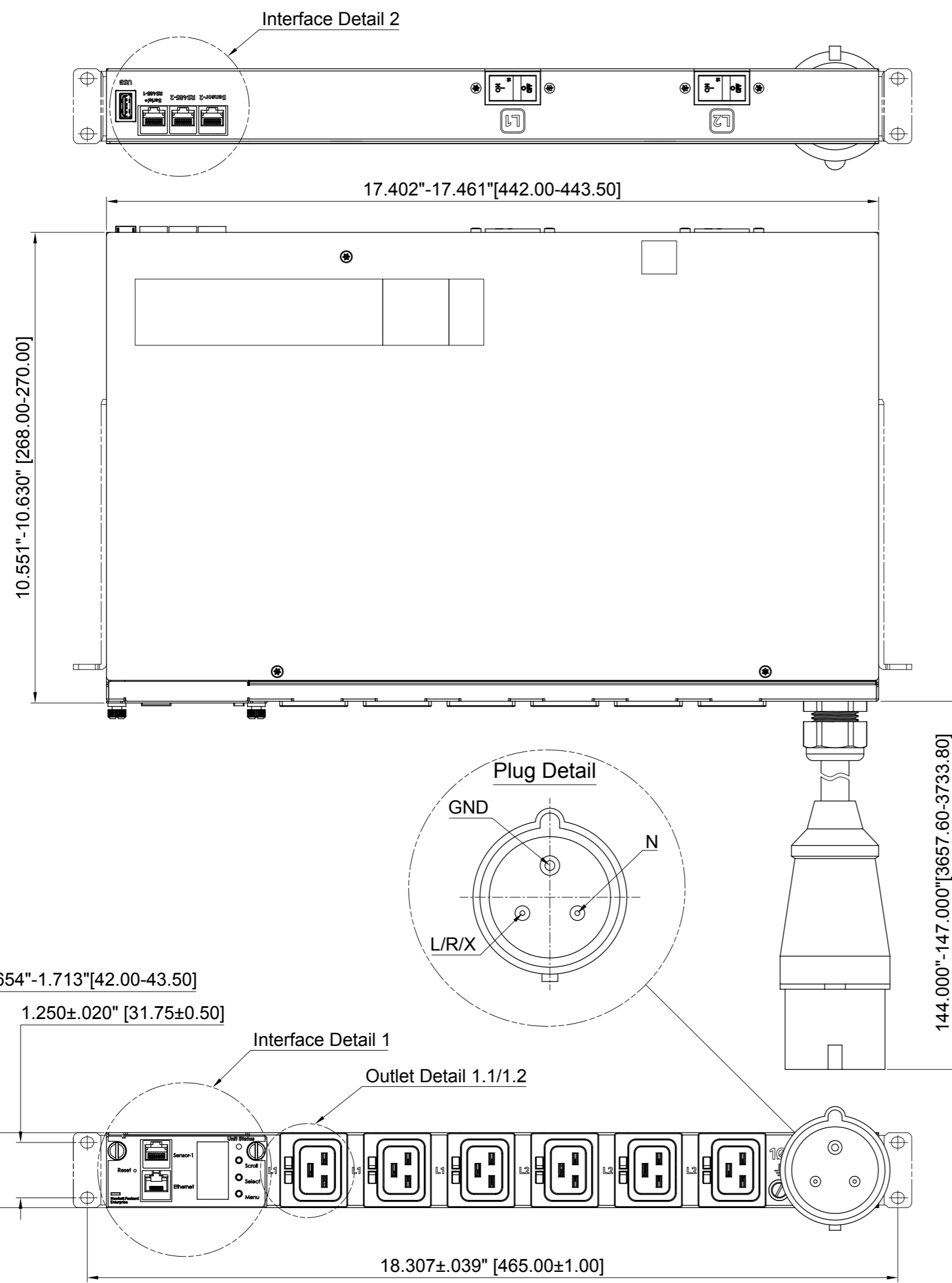
Outlet Configuration	
Total Outlets	(12) C-13, (4) C-19
Outlets/Load Segment	(6) C13, (2) C19
Branch Circuit Protection	(2) 1-Pole 16A UL 489 Breaker
Features	
Cord Retention 1	Locking power cord (optional)
Cord Retention 2	Integrated retention with tie wrap
Mounting Option	Horizontal (2U)
Mounting Hardware	Included

Environmental Conditions	
Operating Temperature	50-140°F (10-60°C)
Operating Rel Humidity	10-90%
Operating Elevation	0-10000ft (0-3000m)
Regulatory Information	
CE, DEMKO, EAC, KC, KCC, ACMA	
Unit Weight	
Weight	13.8lbs (6.3kg)

### Wiring Scheme

PDU Classification	Metered
Part Number	P9R55A
Specification Number	866833-A





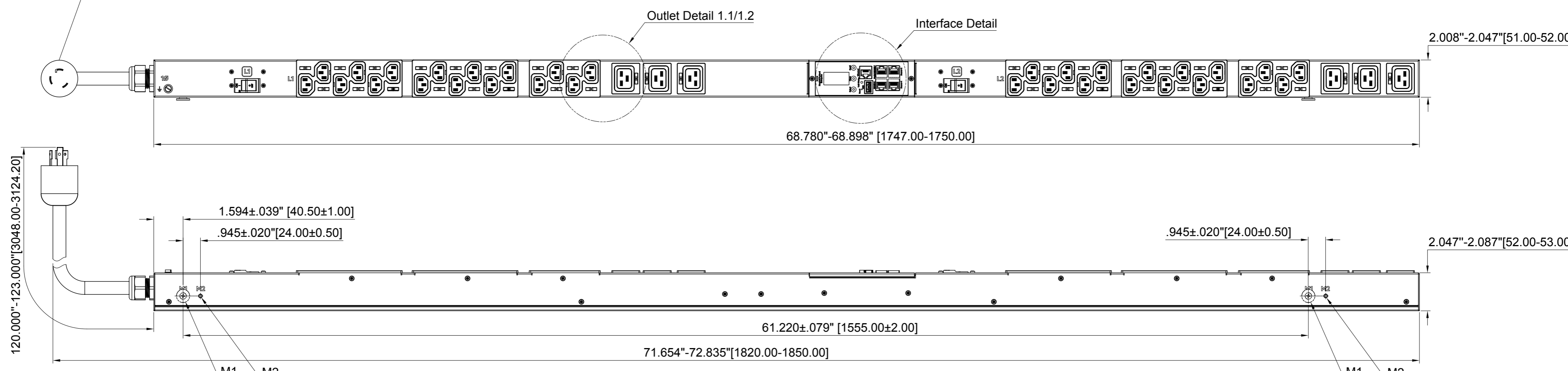
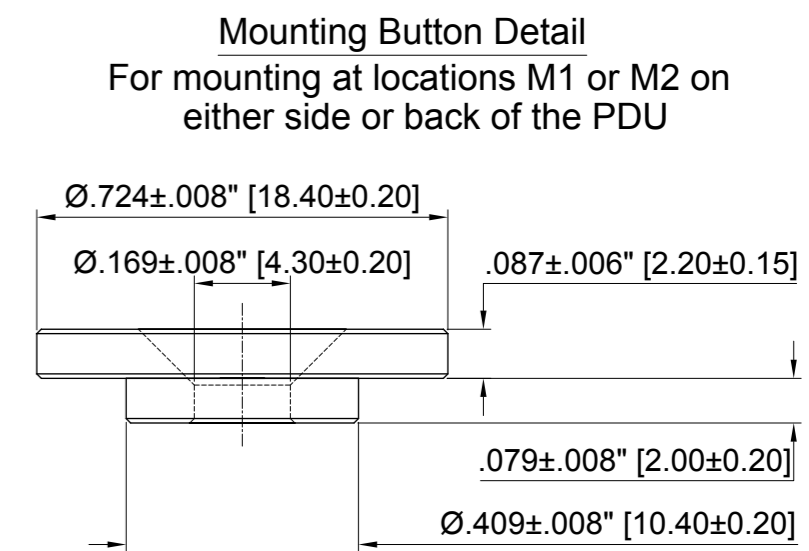
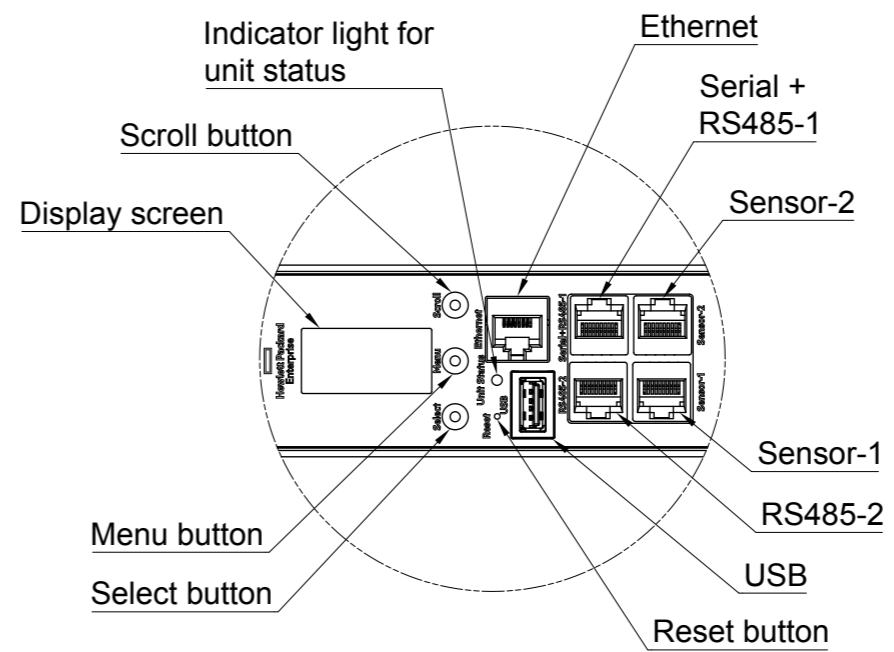
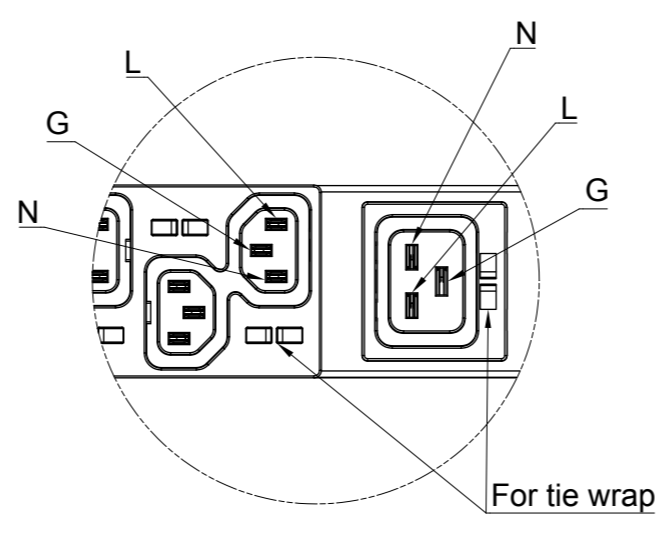
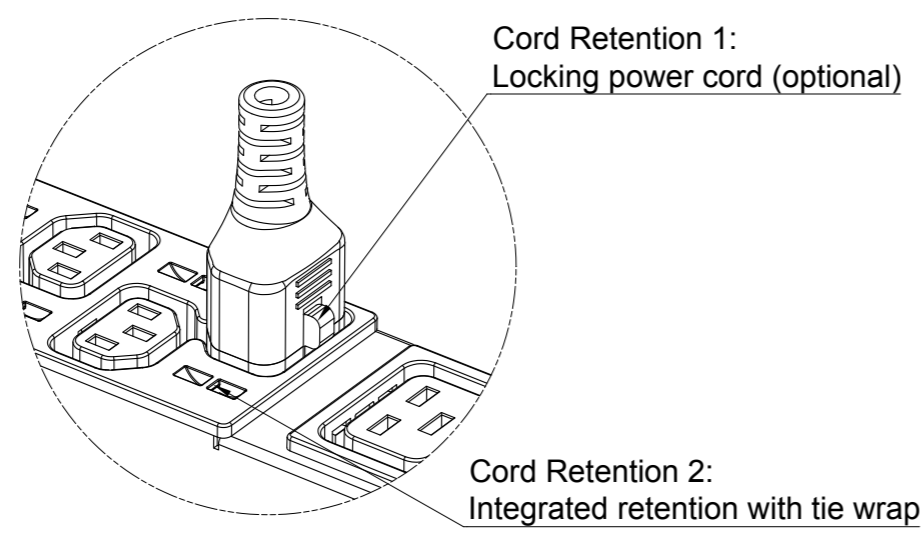
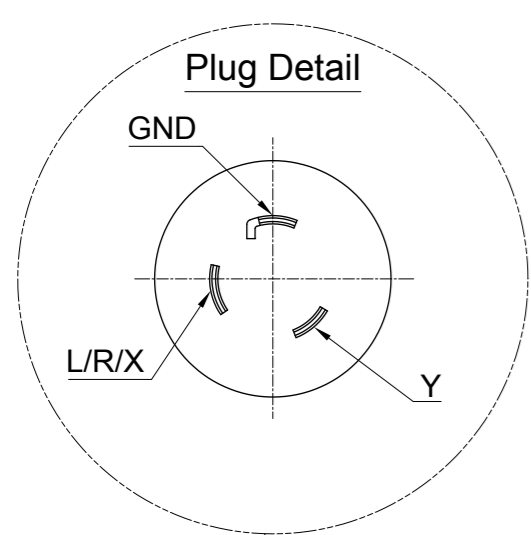
## Product Information

Input Ratings	
Nominal Voltage	230VAC, 1-Ph, 50/60Hz
Input Plug	IEC 60309 32A 3-wire
Cord Type/Length	H07RNF3G4/12'
Current Rating	32A
Power Rating (kVA)	7.36 kVA
Output Ratings	
Nominal Voltage	230VAC, 50/60Hz
Current Rating	32A
Current/Breaker	16A

Outlet Configuration	
Total Outlets	(6) C19
Outlets/Load Segment	(3) C19
Branch Circuit Protection	(2) 1-Pole 16A UL 489 Breaker
Features	
Cord Retention 1	Locking power cord (optional)
Cord Retention 2	Integrated retention with tie wrap
Mounting Option	Between RETMA rail (0U), Horizontal (1U)
Mounting Hardware	Included

Environmental Conditions	
Operating Temperature	50-140°F (10-60°C)
Operating Rel Humidity	10-90%
Operating Elevation	0-10000ft (0-3000m)
Regulatory Information	
CE, DEMKO, EAC, KC, KCC, ACMA	
Unit Weight	
Weight	12.3lbs (5.6kg)

PDU Classification	Metered
Part Number	P9R54A
Specification Number	866833-A



**Product Information**

**Input Ratings**  
 Nominal Voltage 208VAC, 1-Ph, 50/60Hz  
 Input Plug NEMA L6-30P (Over-molded)  
 Cord Type/Length Type SJT; 90°C; 300V; 10AWG; 3C/10'  
 Current Rating 24A (Derated)  
 Power Rating (kVA) 4.992 kVA

**Output Ratings**  
 Nominal Voltage 208VAC, 50/60Hz  
 Current Rating 24A  
 Current/Breaker 16A (Derated)

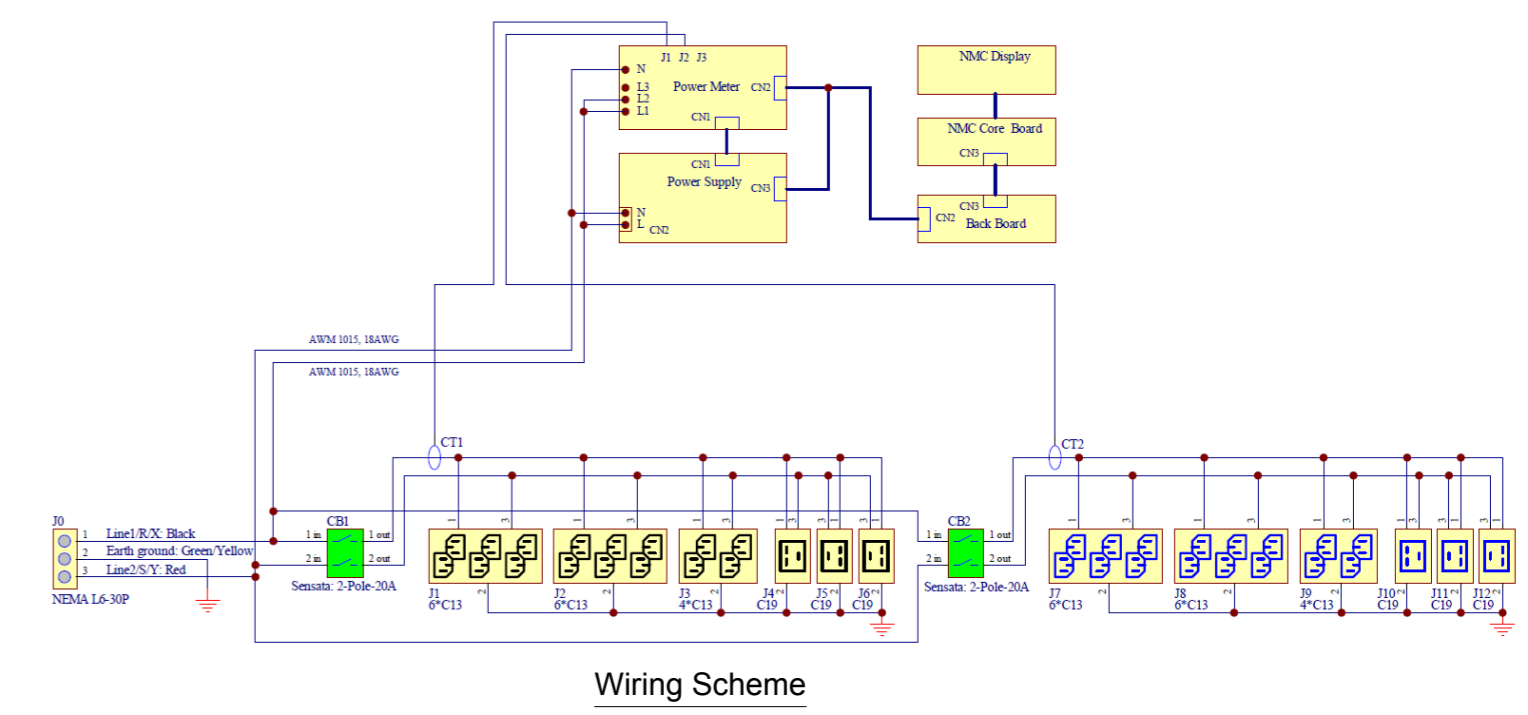
**Outlet Configuration**  
 Total Outlets (32) C13, (6) C19  
 Outlets/Load Segment (16) C13, (3) C19  
 Branch Circuit Protection (2) 2-Pole 20A UL 489 Breaker

**Features**  
 Cord Retention 1 Locking power cord (optional)  
 Cord Retention 2 Integrated retention with tie wrap  
 Mounting Option Vertical (0U)  
 Mounting Hardware Included

**Environmental Conditions**  
 Operating Temperature 50-140°F (10-60°C)  
 Operating Rel Humidity 10-90%  
 Operating Elevation 0-10000ft (0-3000m)

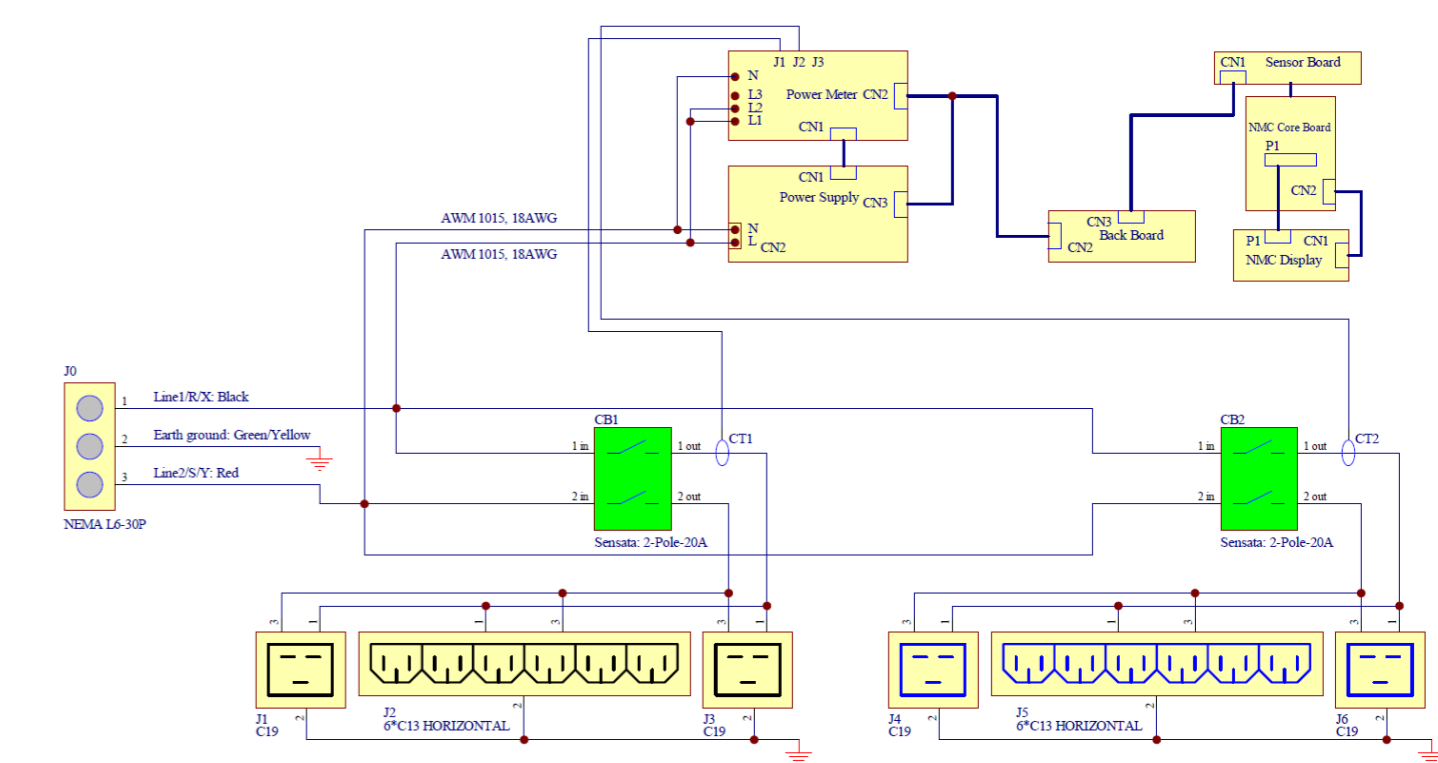
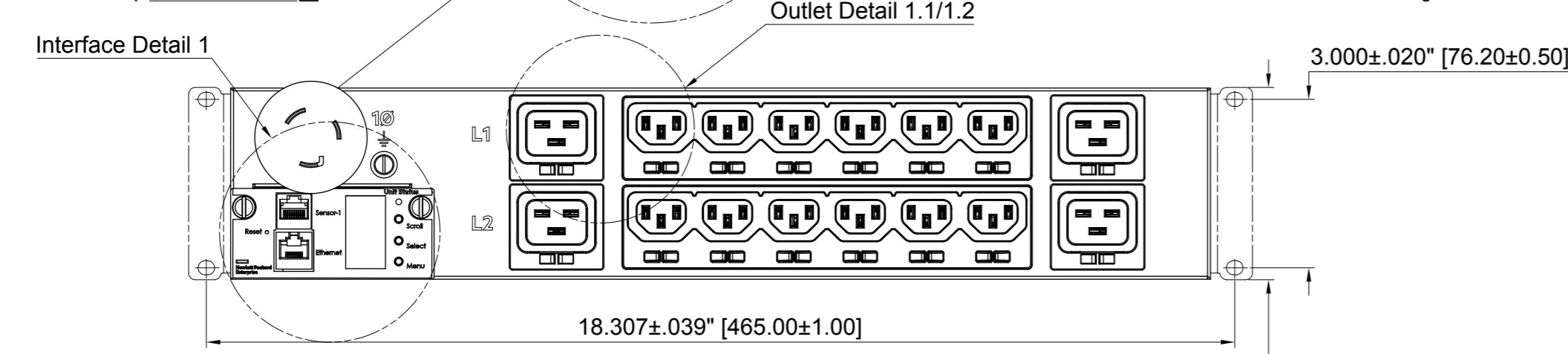
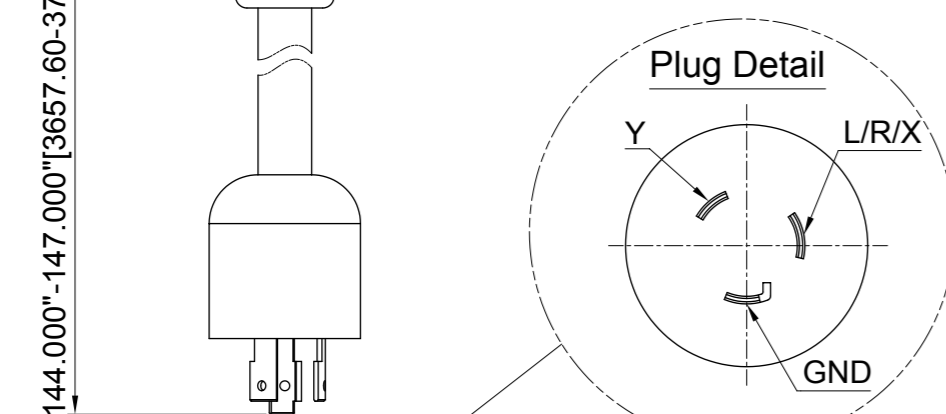
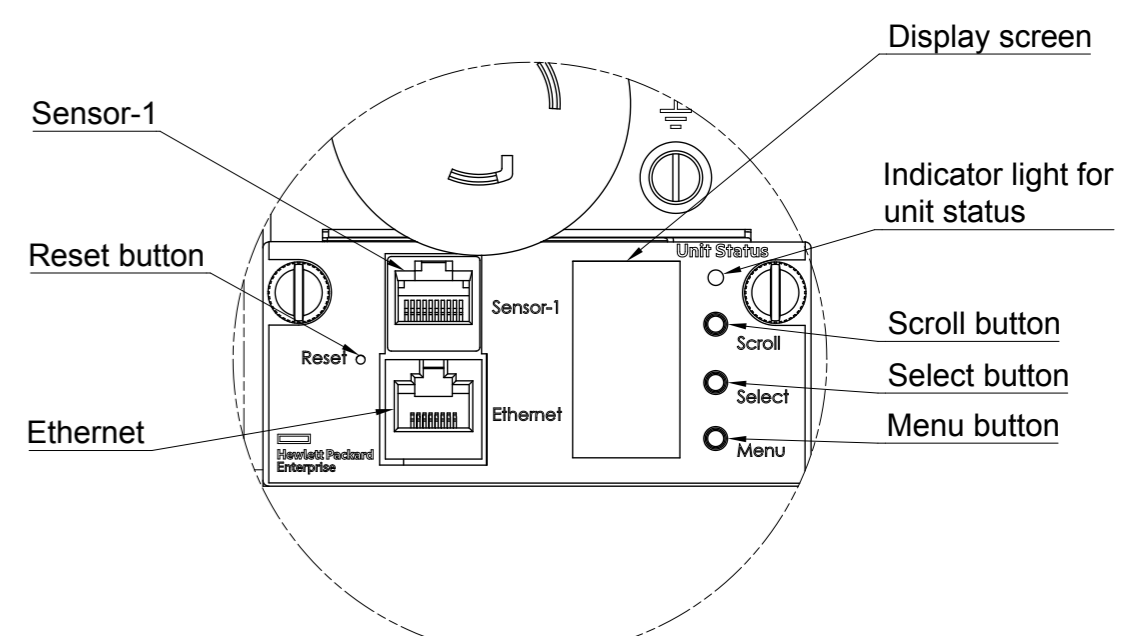
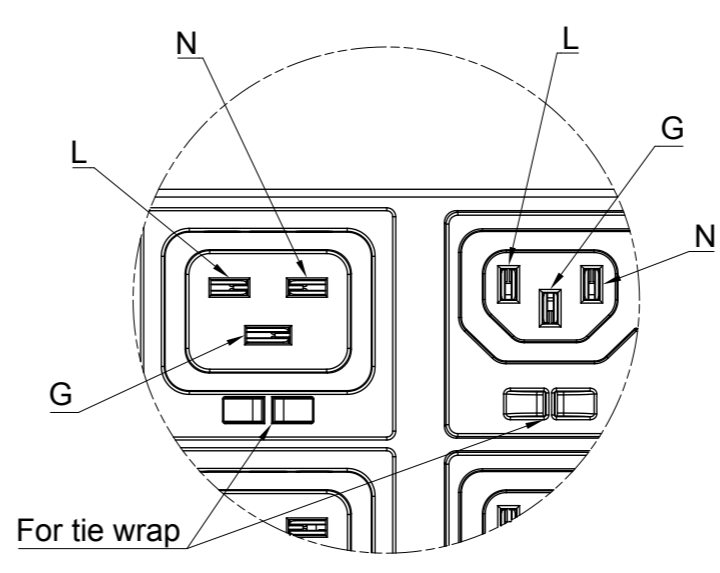
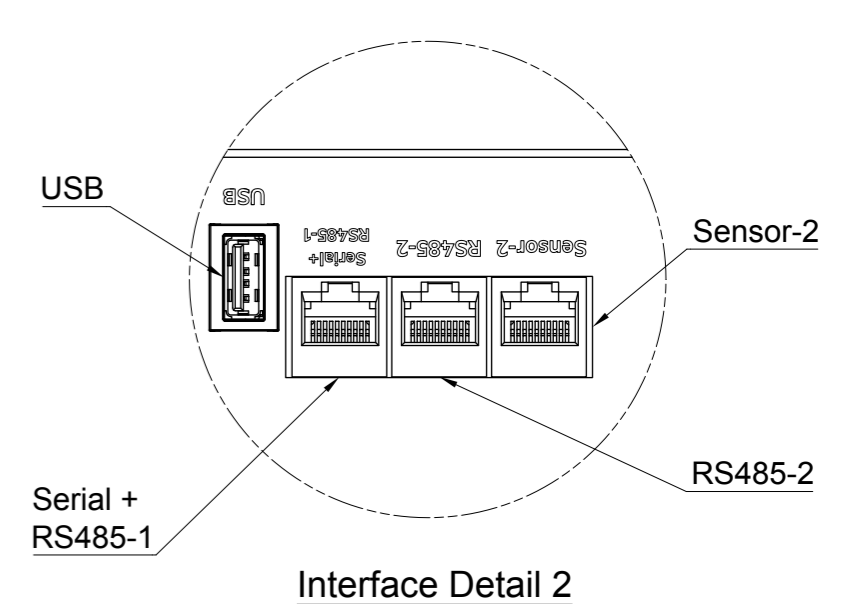
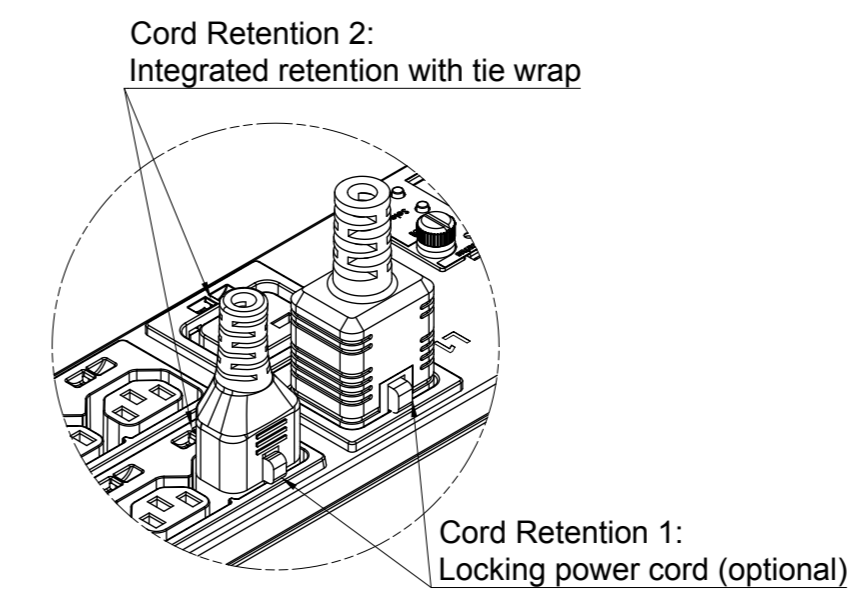
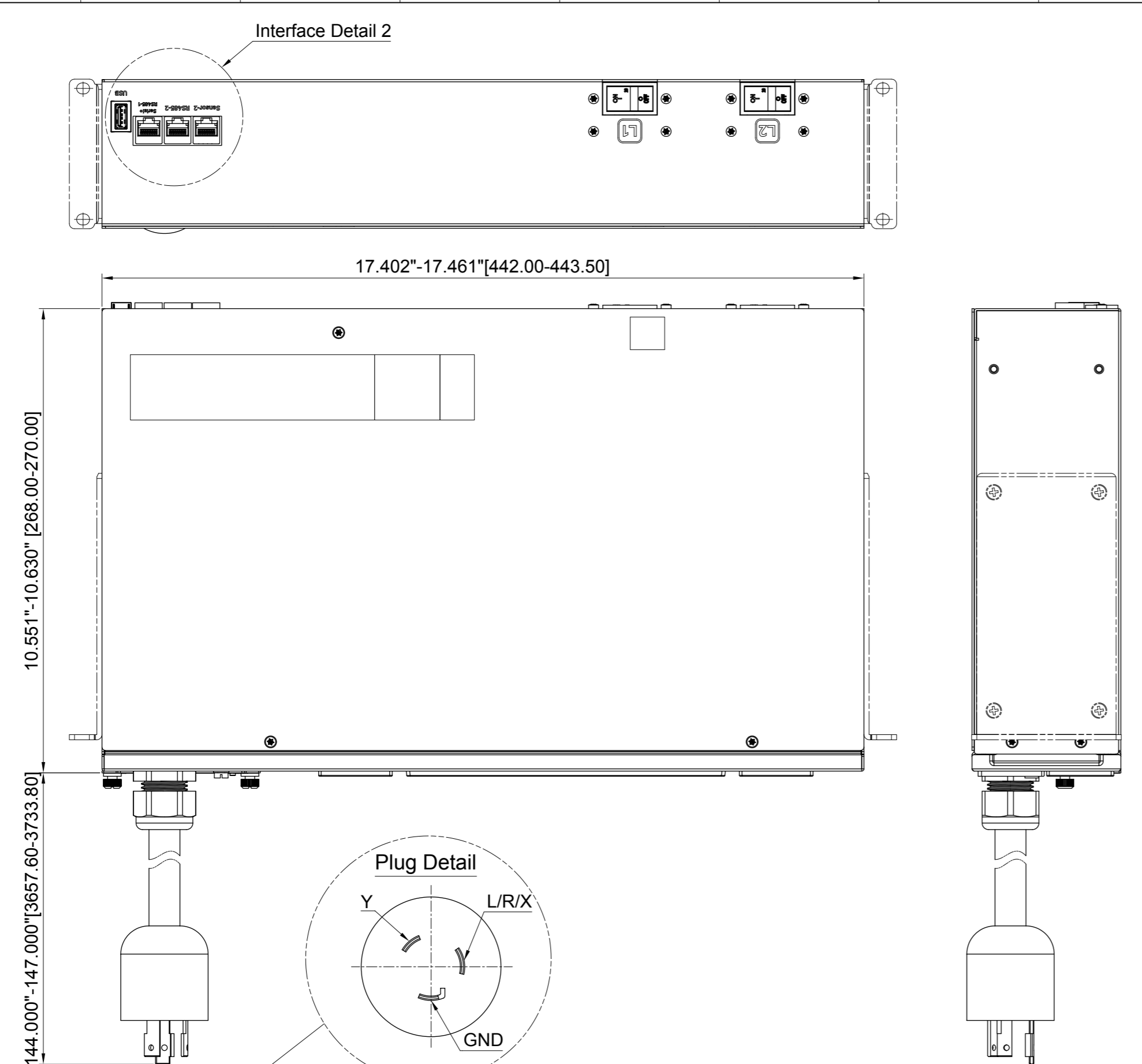
**Regulatory Information**  
 UL or CSA, CB test+ FCC, ICES, VCCI

**Unit Weight**  
 Weight 16.0lbs (7.3kg)



PDU Classification	Metered
Part Number	P9R53A
Specification Number	866833-A





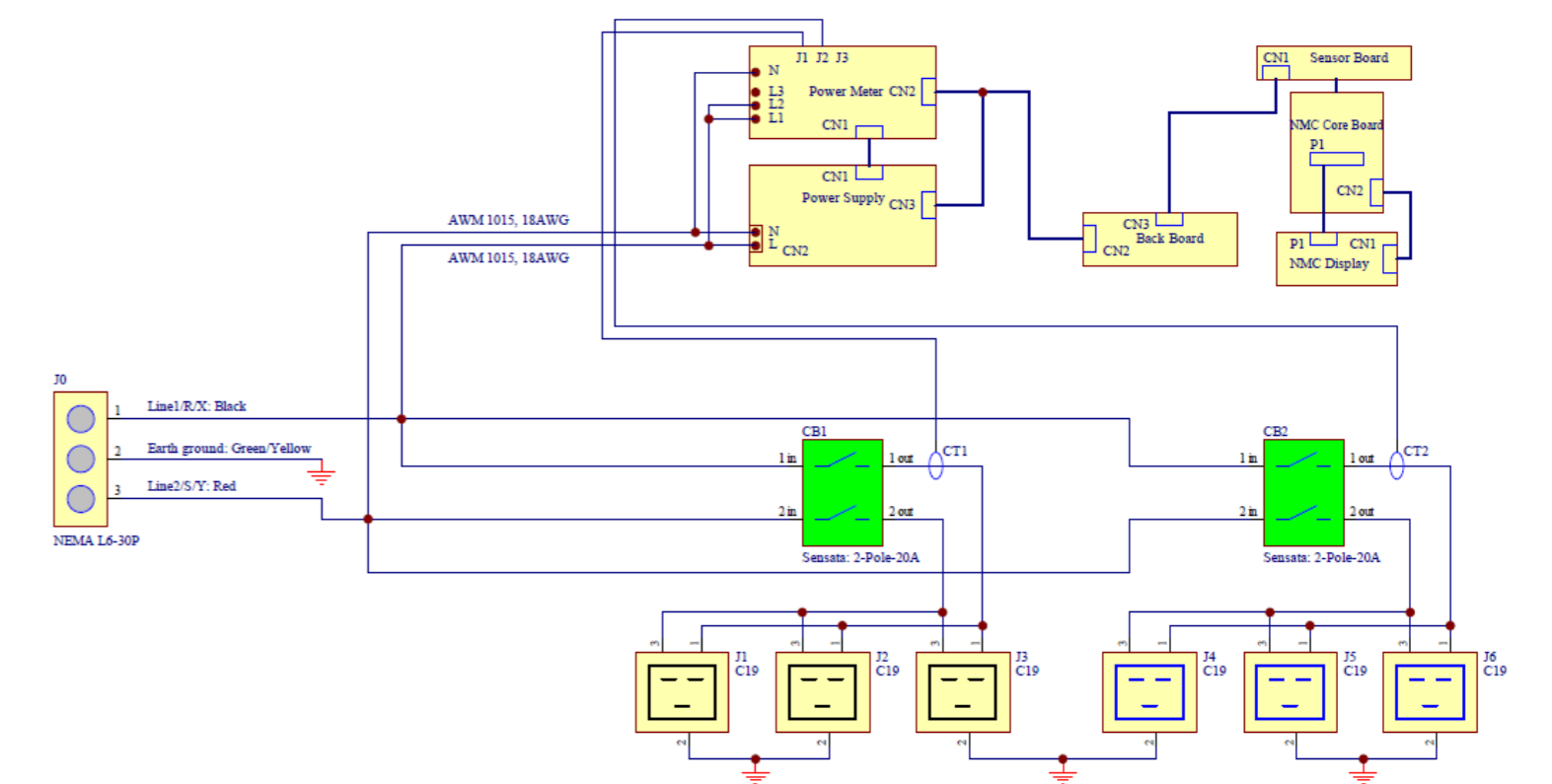
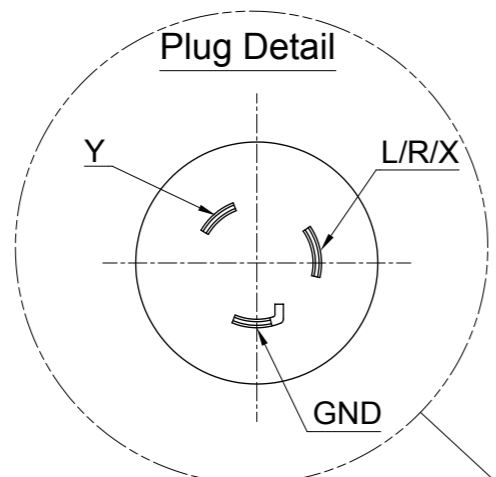
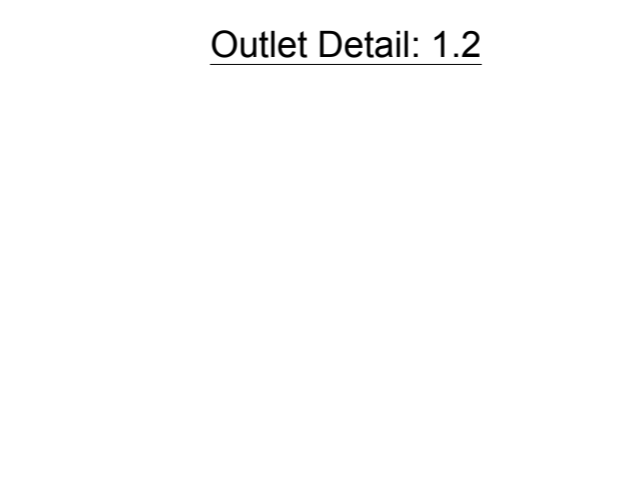
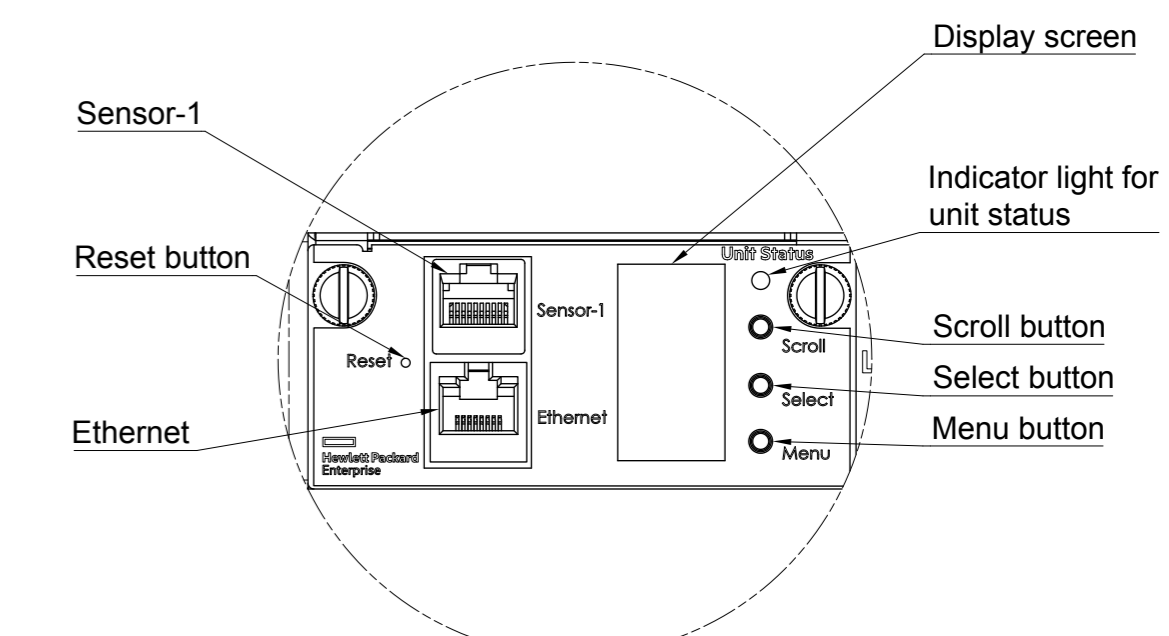
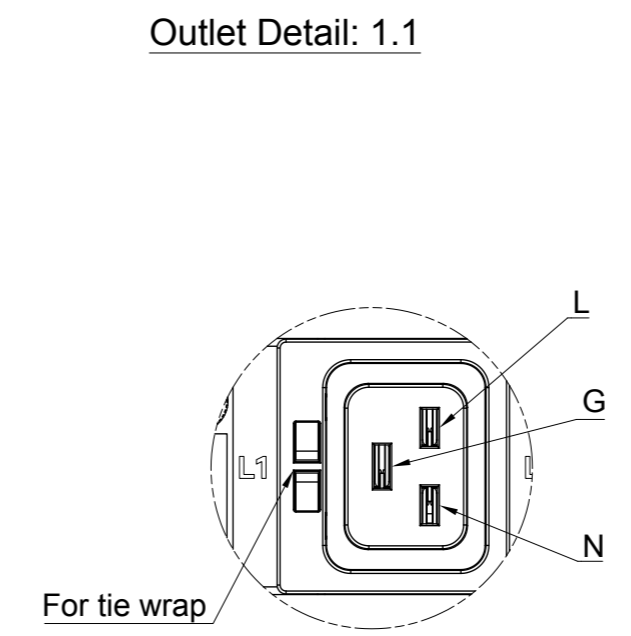
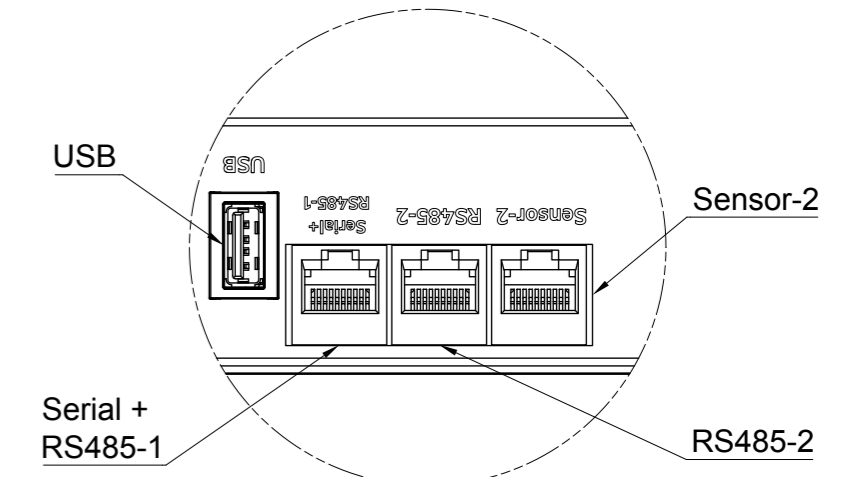
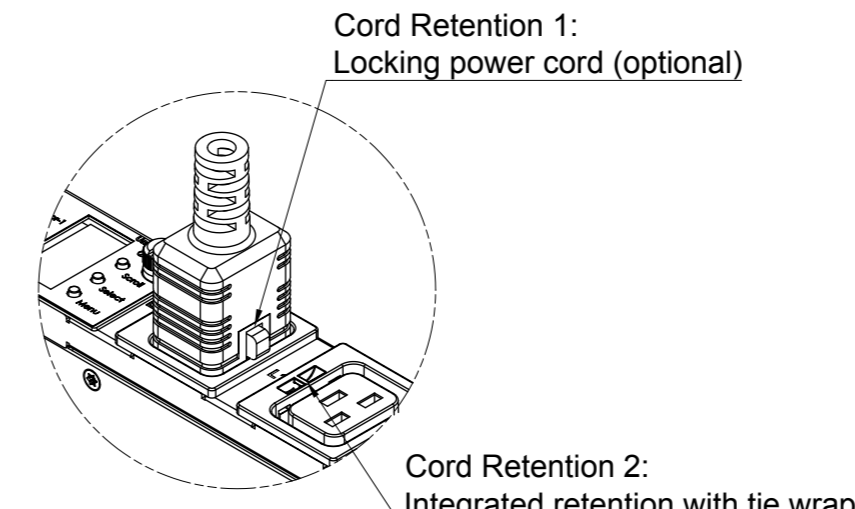
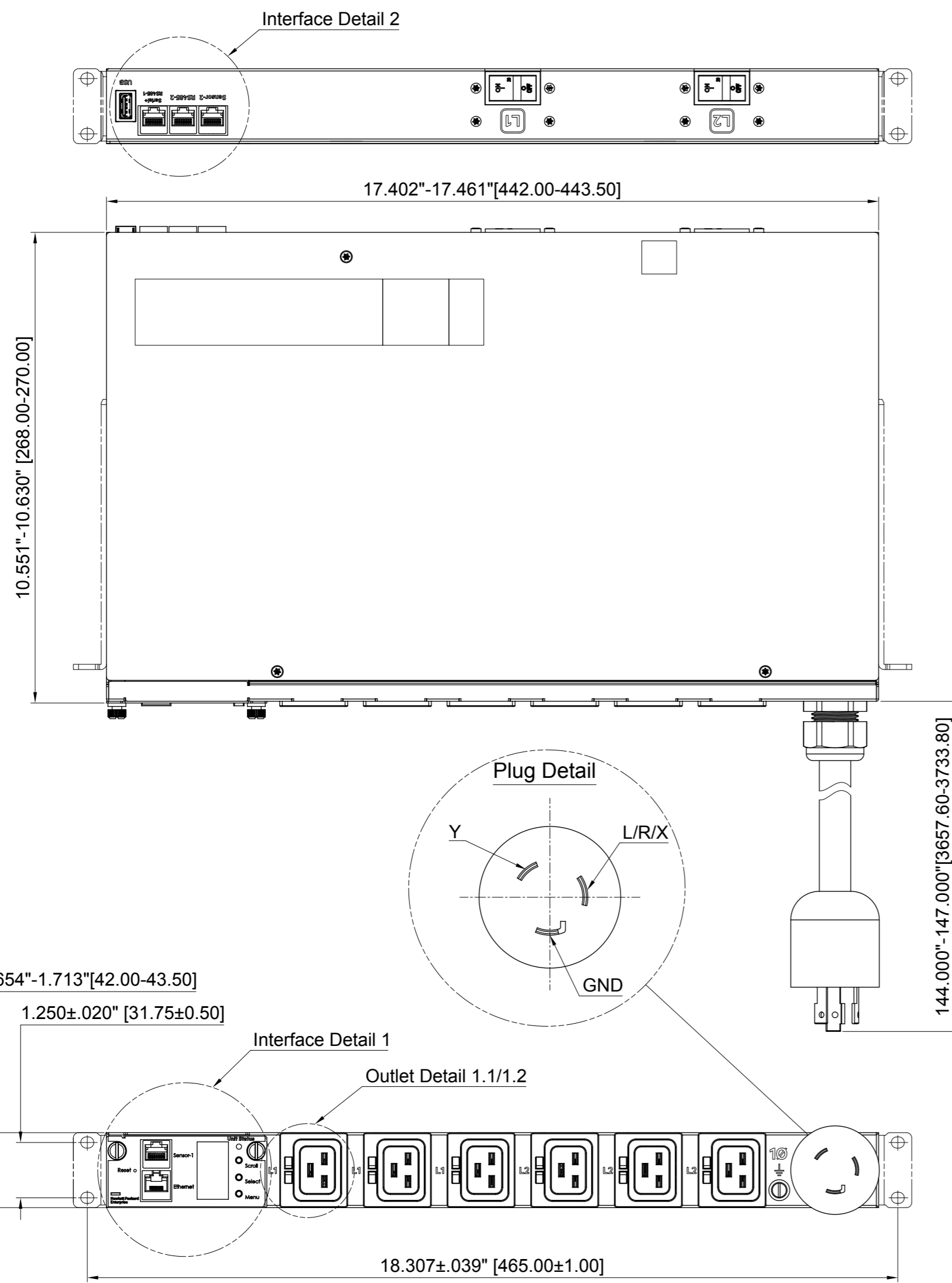
## Product Information

<b>Input Ratings</b>		<b>Outlet Configuration</b>		<b>Environmental Conditions</b>	
Nominal Voltage	208VAC, 1-Ph, 50/60Hz	Total Outlets	(12) C13, (4) C19	Operating Temperature	50-140°F (10-60°C)
Input Plug	NEMA L6-30P (Over-molded)	Outlets/Load Segment	(6) C13, (2) C19	Operating Rel Humidity	10-90%
Cord Type/Length	Type SJT; 90°C; 300V; 10AWG; 3C/12'	Branch Circuit Protection	(2) 2-Pole 20A UL 489 Breaker	Operating Elevation	0-10000ft (0-3000m)
Current Rating	24A (Derated)	<b>Features</b>		<b>Regulatory Information</b>	
Power Rating (kVA)	4.992 kVA	Cord Retention 1	Locking power cord (optional)	UL or CSA, CB Test+ FCC, ICES, VCCI	
<b>Output Ratings</b>		Cord Retention 2	Integrated retention with tie wrap	<b>Unit Weight</b>	
Nominal Voltage	208VAC, 50/60Hz	Mounting Option	Horizontal (2U)	Weight	14.5lbs (6.6kg)
Current Rating	24A	Mounting Hardware	Included		
Current/Breaker	16A (Derated)				

## Wiring Scheme

PDU Classification	Metered
Part Number	P9R52A
Specification Number	866833-A





## Product Information

### Input Ratings

Nominal Voltage	208VAC, 1-Ph, 50/60Hz
Input Plug	NEMA L6-30P (Over-molded)
Cord Type/Length	Type SJT; 90°C; 300V; 10AWG; 3C/12'
Current Rating	24A (Derated)
Power Rating (kVA)	4.992 kVA

### Output Ratings

Nominal Voltage	208VAC, 50/60Hz
Current Rating	24A
Current/Breaker	16A (Derated)

### Outlet Configuration

Total Outlets	(6) C19
Outlets/Load Segment	(3) C19
Branch Circuit Protection	(2) 2-Pole 20A UL 489 Breaker

### Features

Cord Retention 1	Locking power cord (optional)
Cord Retention 2	Integrated retention with tie wrap
Mounting Option	Between RETMA rail (0U), Horizontal (1U)
Mounting Hardware	Included

### Environmental Conditions

Operating Temperature	50-140°F (10-60°C)
Operating Rel Humidity	10-90%
Operating Elevation	0-10000ft (0-3000m)

### Regulatory Information

UL or CSA, CB Test+ FCC, ICES, VCCI

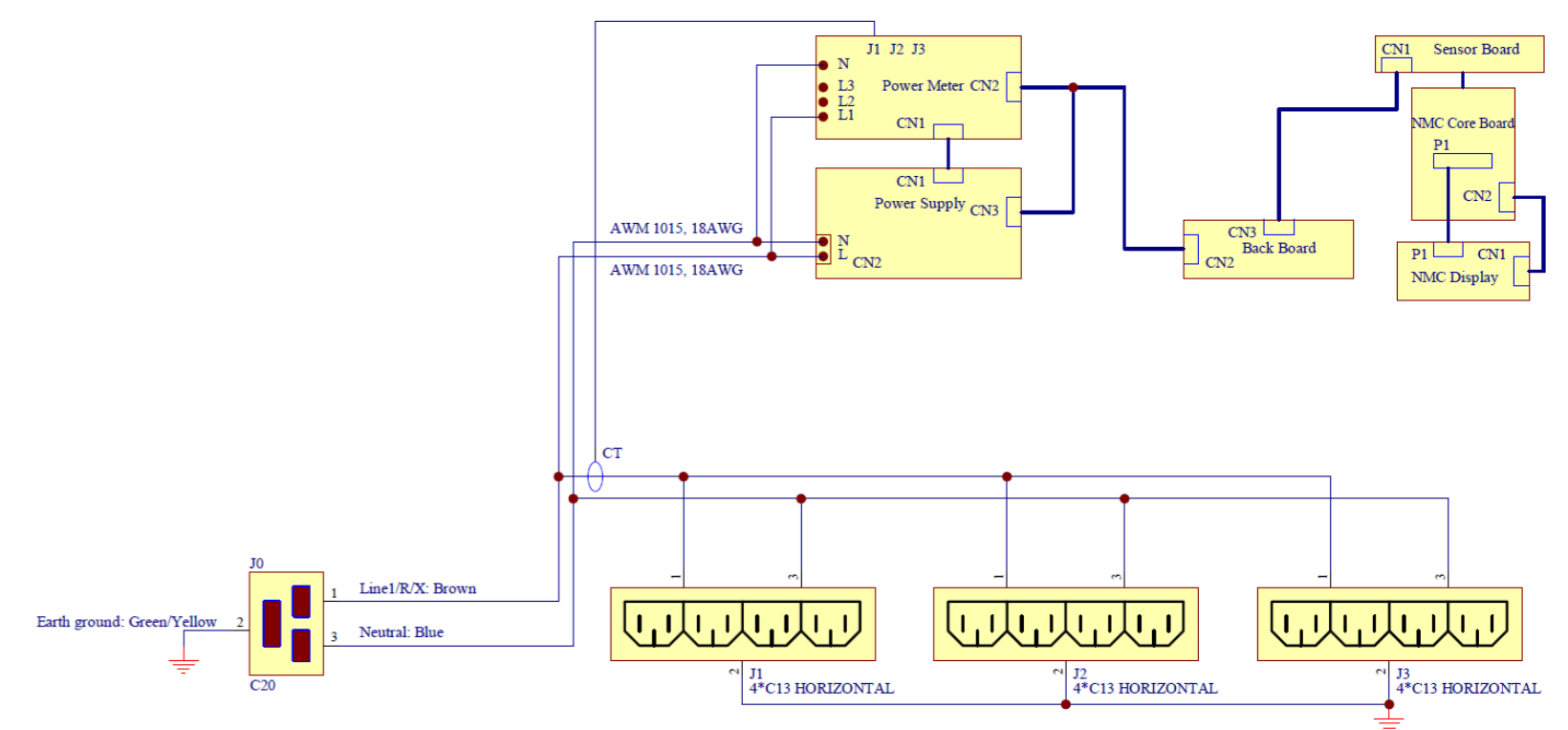
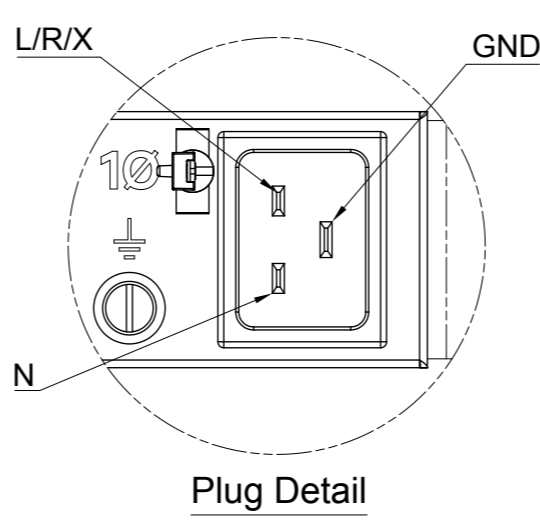
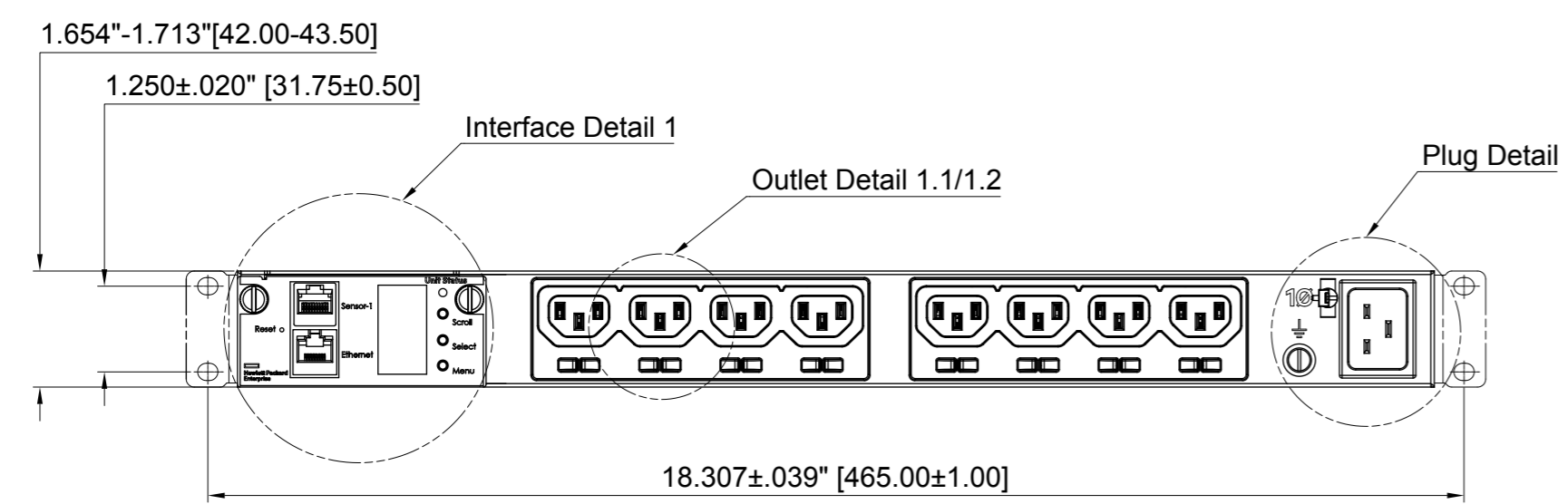
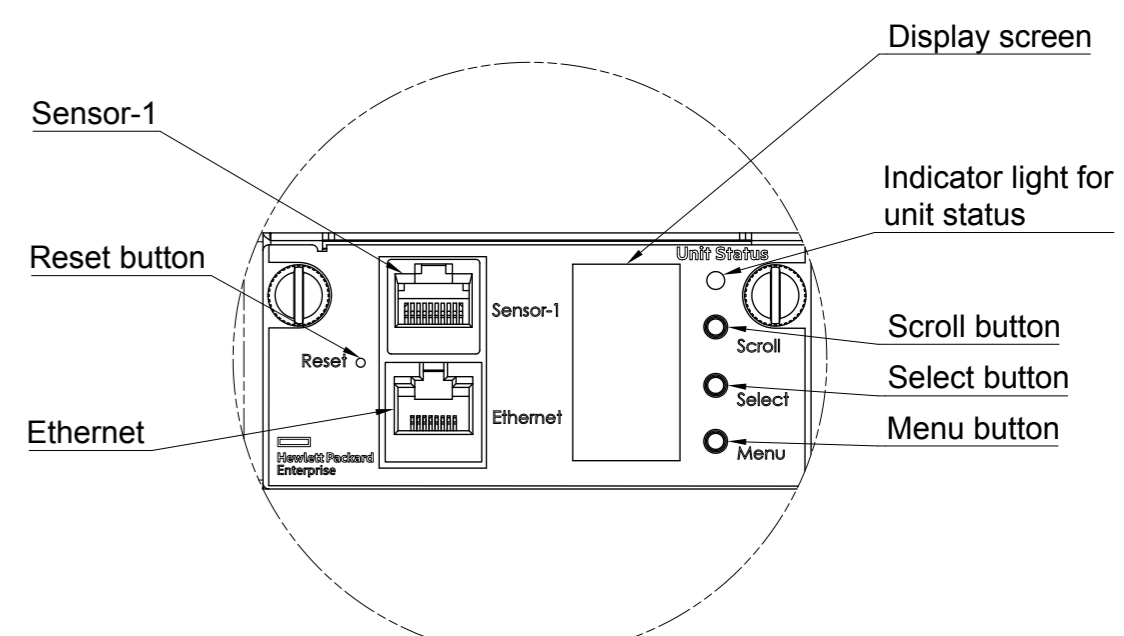
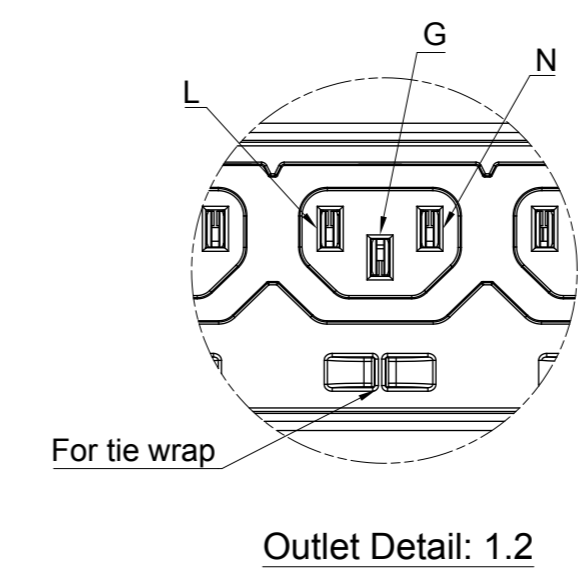
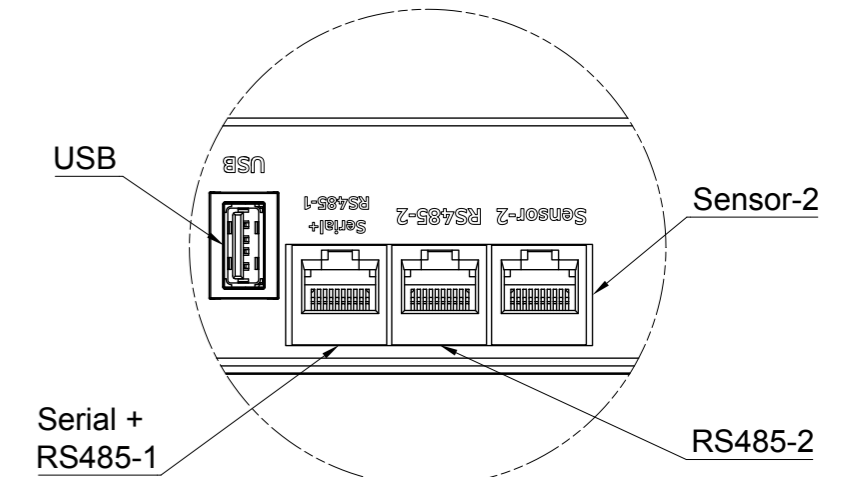
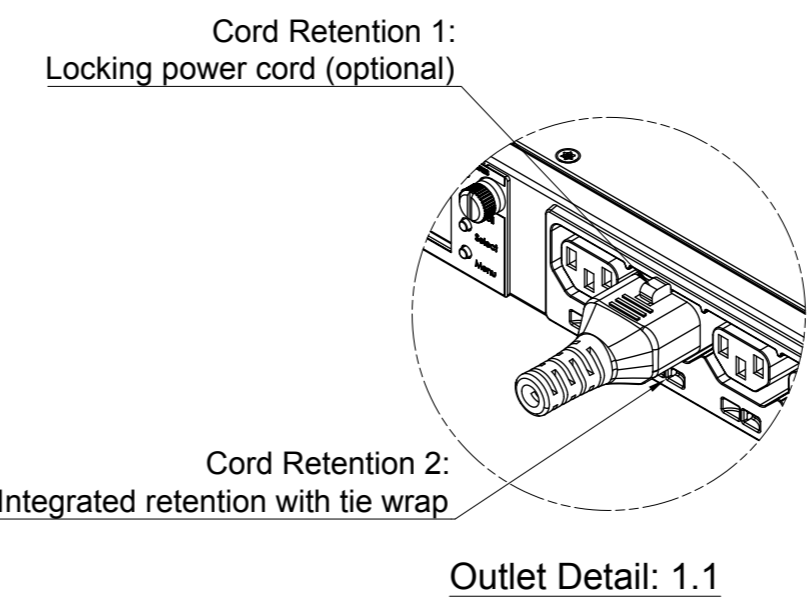
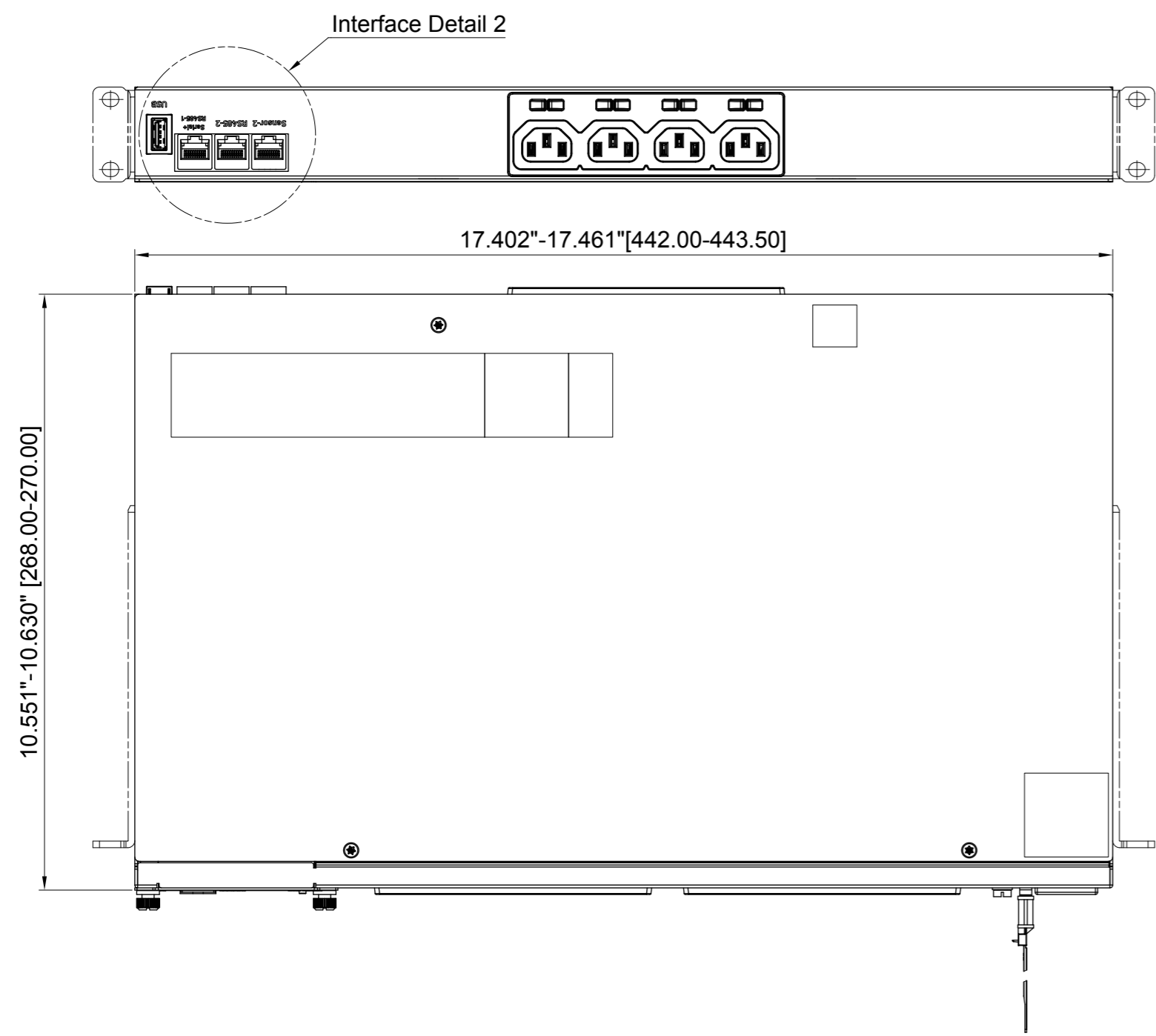
### Unit Weight

Weight 15.5lbs (7.0kg)

### Wiring Scheme

PDU Classification	Metered
Part Number	P9R51A
Specification Number	866833-A





## Product Information

<b>Input Ratings</b>	
Nominal Voltage	230VAC, 1-Ph, 50/60Hz
Input Plug	IEC 60320 C20
Current Rating	16A (Derated)
Power Rating (kVA)	3.68 kVA
<b>Output Ratings</b>	
Nominal Voltage	230VAC, 50/60Hz
Current Rating	16A

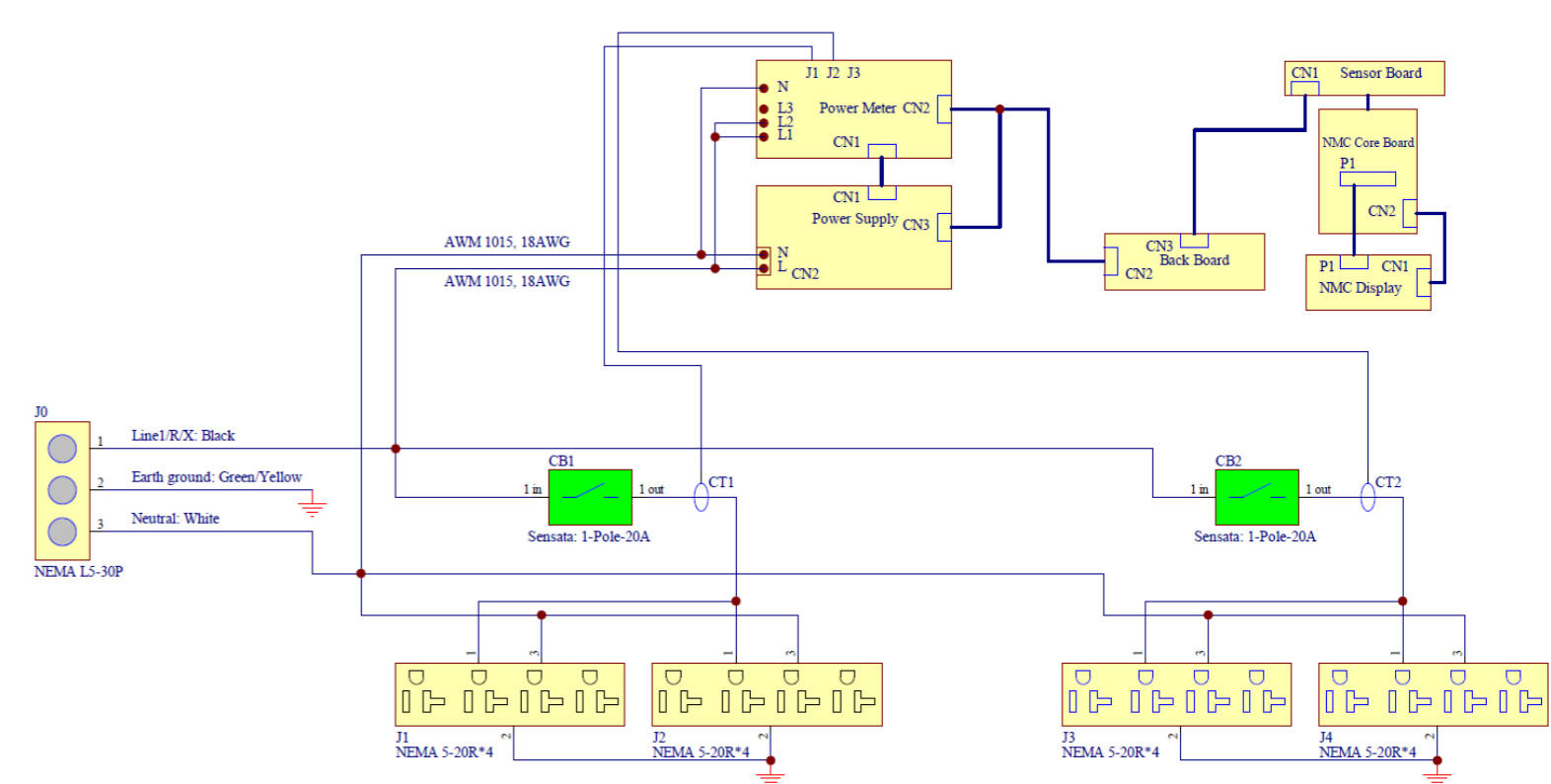
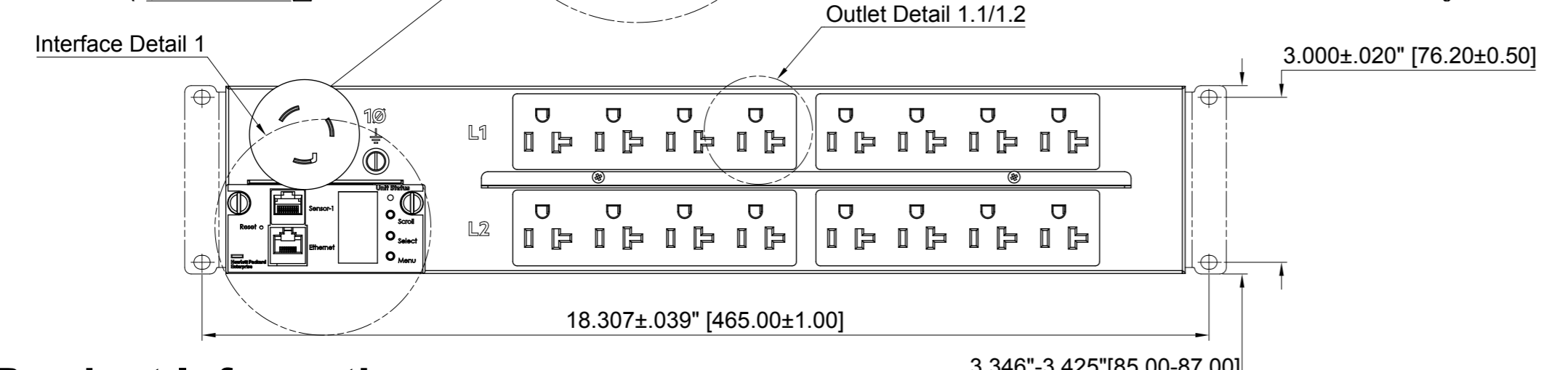
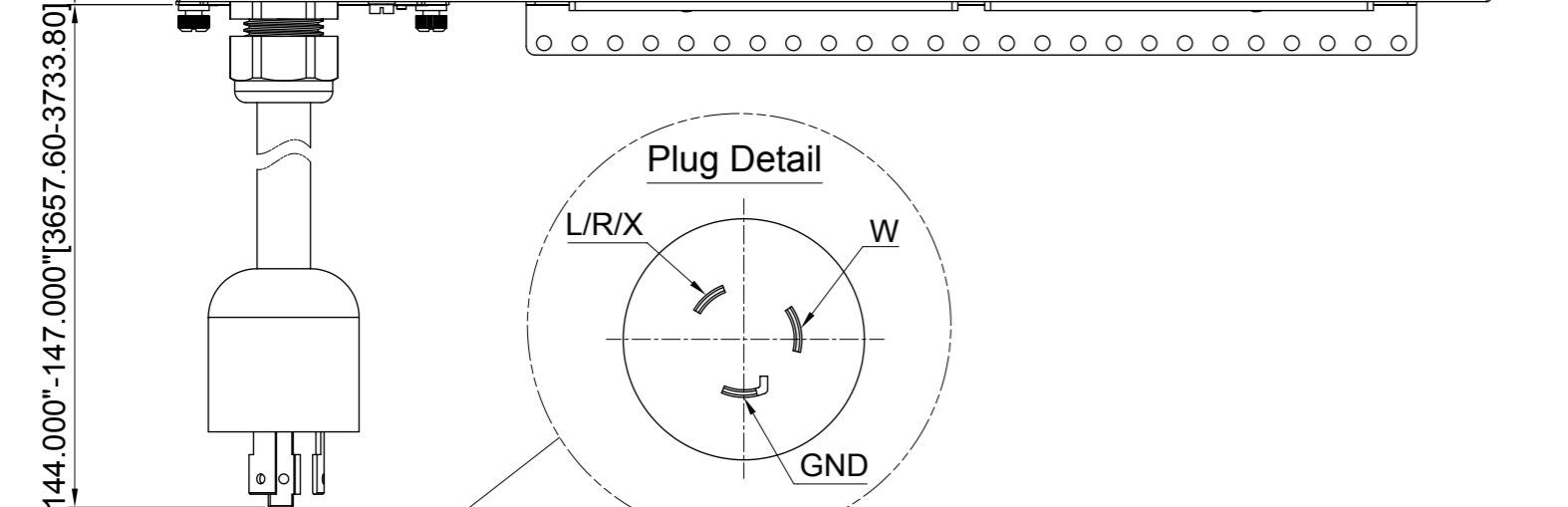
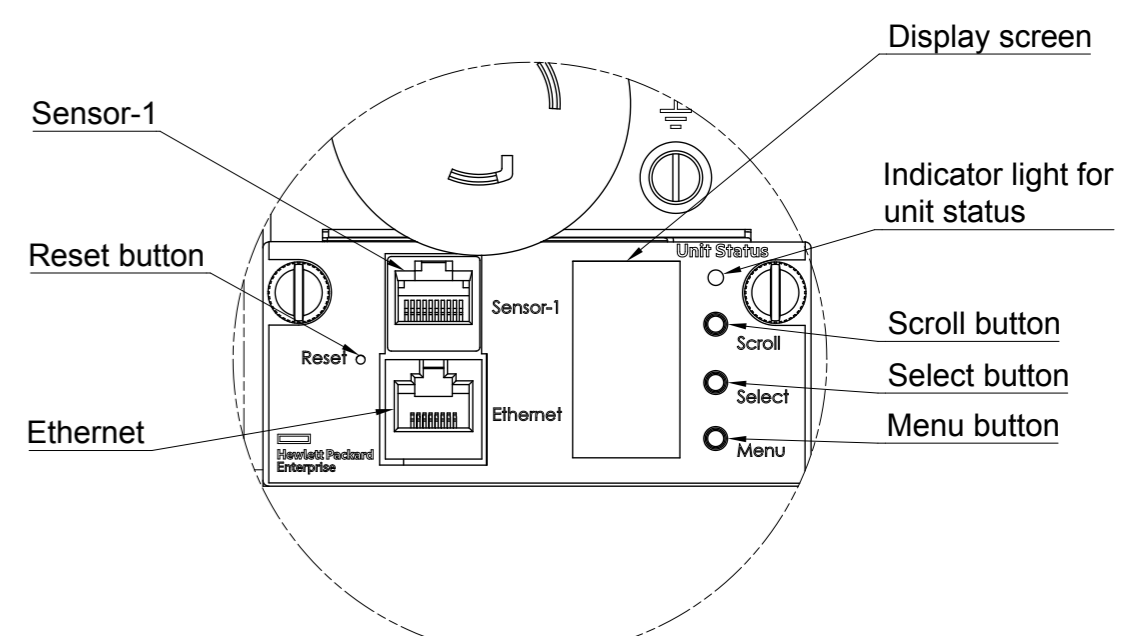
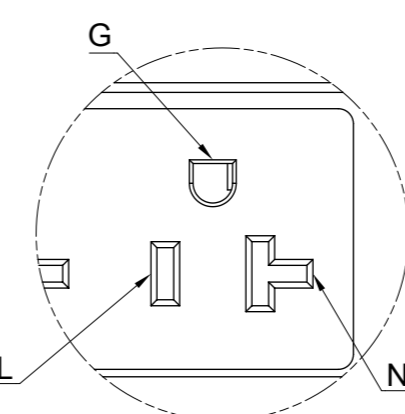
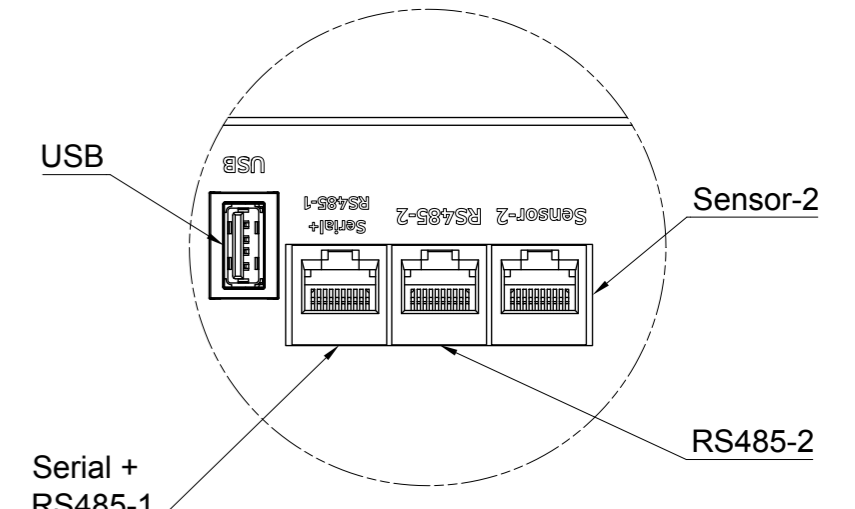
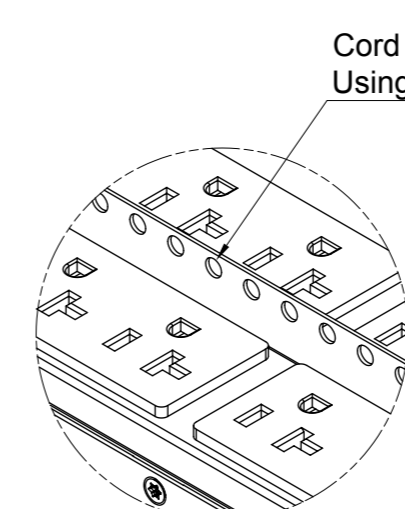
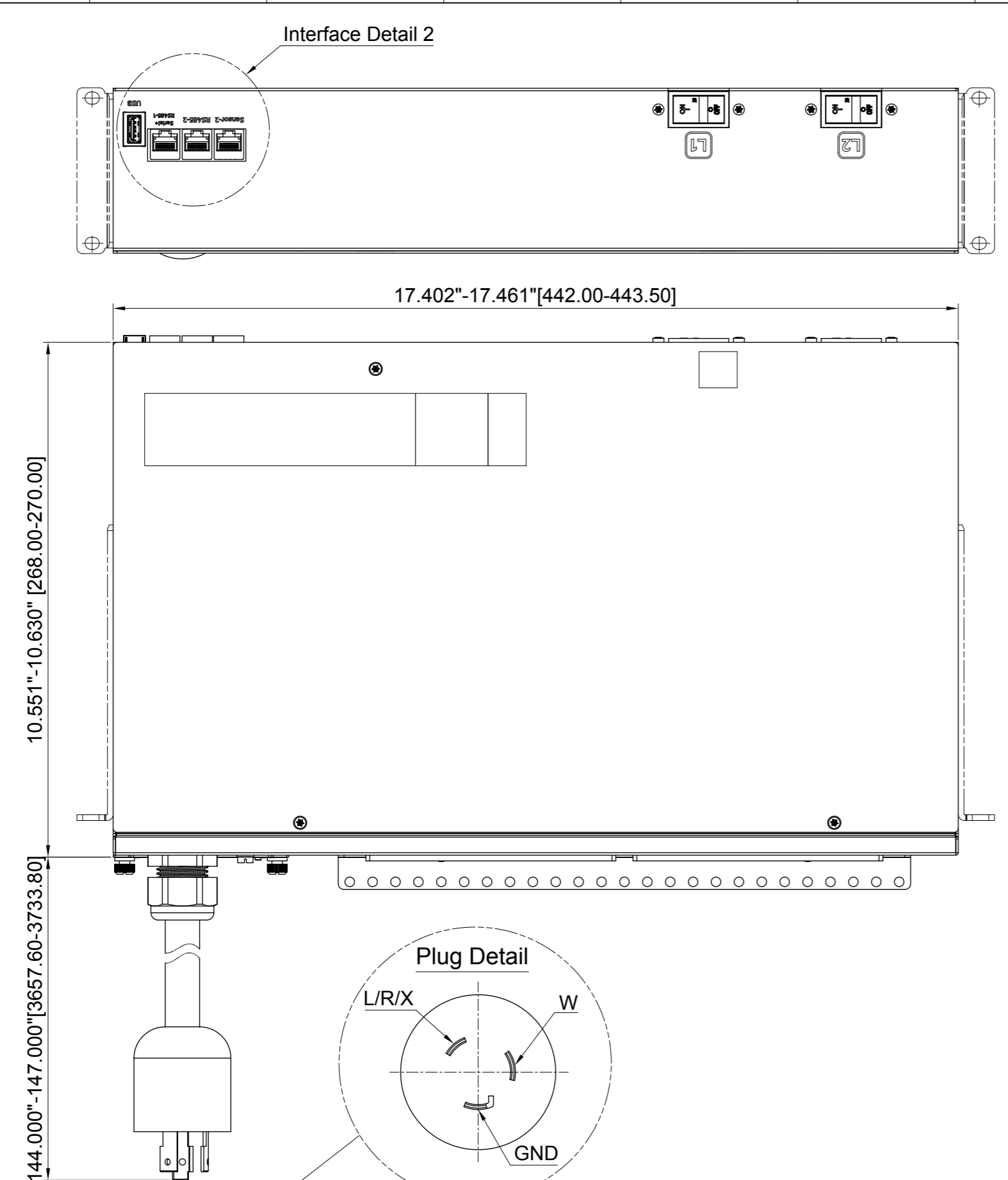
<b>Outlet Configuration</b>	
Total Outlets	(12) C13
<b>Features</b>	
Cord Retention 1	Locking power cord (optional)
Cord Retention 2	Integrated retention with tie wrap
Mounting Option	Between RETMA rail (0U), Horizontal (1U)
Mounting Hardware	Included

<b>Environmental Conditions</b>	
Operating Temperature	50-140°F (10-60°C)
Operating Rel Humidity	10-90%
Operating Elevation	0-10000ft (0-3000m)
<b>Regulatory Information</b>	
UL or CSA, CB Test + CE, DEMKO, EAC, FCC, ICES, KCC, KC	
<b>Unit Weight</b>	
Weight	8.6lbs (3.9kg)

### Wiring Scheme

PDU Classification	Metered
Part Number	P9R50A
Specification Number	866833-A





### Product Information

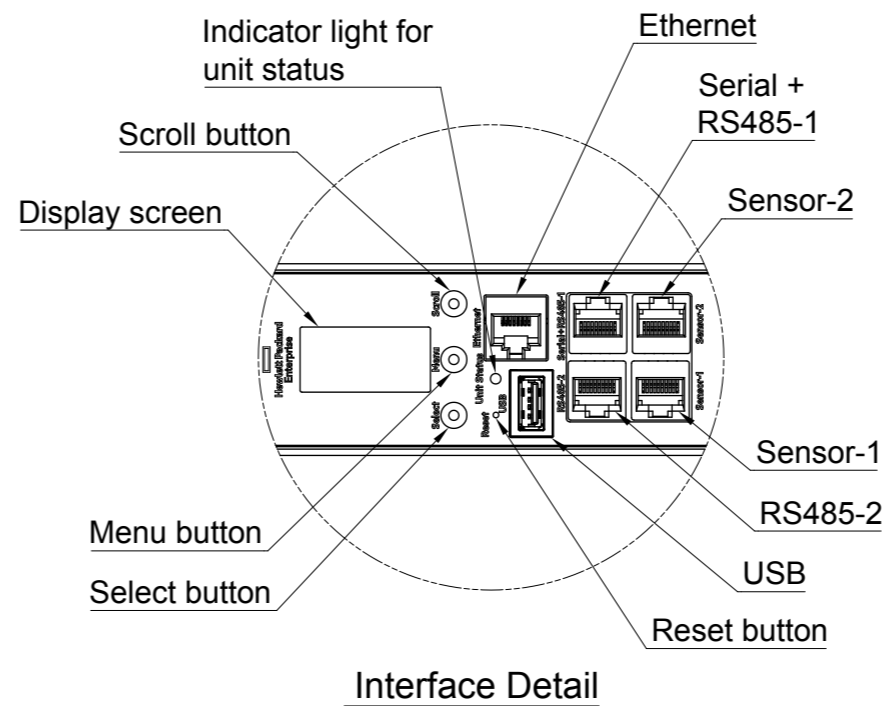
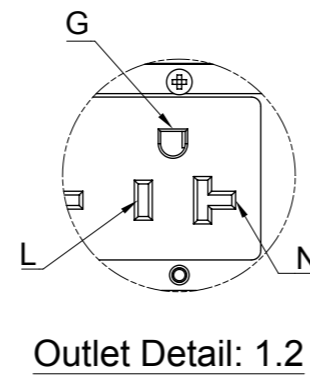
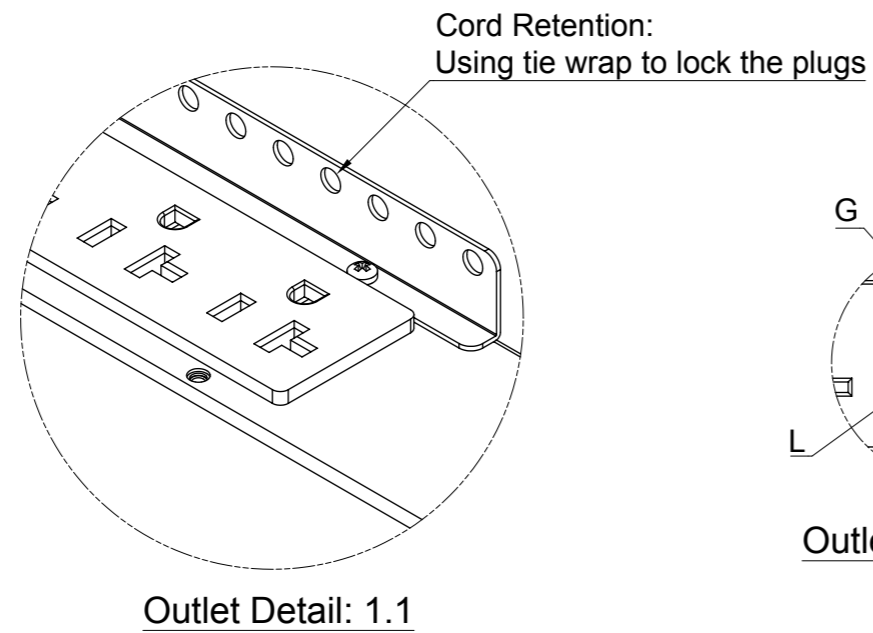
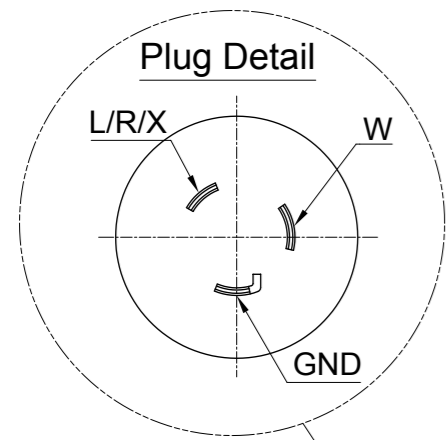
Input Ratings	
Nominal Voltage	120VAC, 1-Ph, 50/60Hz
Input Plug	NEMA L5-30P (Over-molded)
Cord Type/Length	Type SJT; 90°C; 300V; 10AWG; 3C/12'
Current Rating	24A (Derated)
Power Rating (kVA)	2.88 kVA
Output Ratings	
Nominal Voltage	120VAC, 50/60Hz
Current Rating	24A
Current/Breaker	16A (Derated)

Outlet Configuration	
Total Outlets	(16) 5-20R
Outlets/Load Segment	(8) 5-20R
Branch Circuit Protection	(2) 1-Pole 20A UL 489 Breaker
Features	
Cord Retention	Using tie wrap to lock the plugs
Mounting Option	Horizontal (2U)
Mounting Hardware	Included

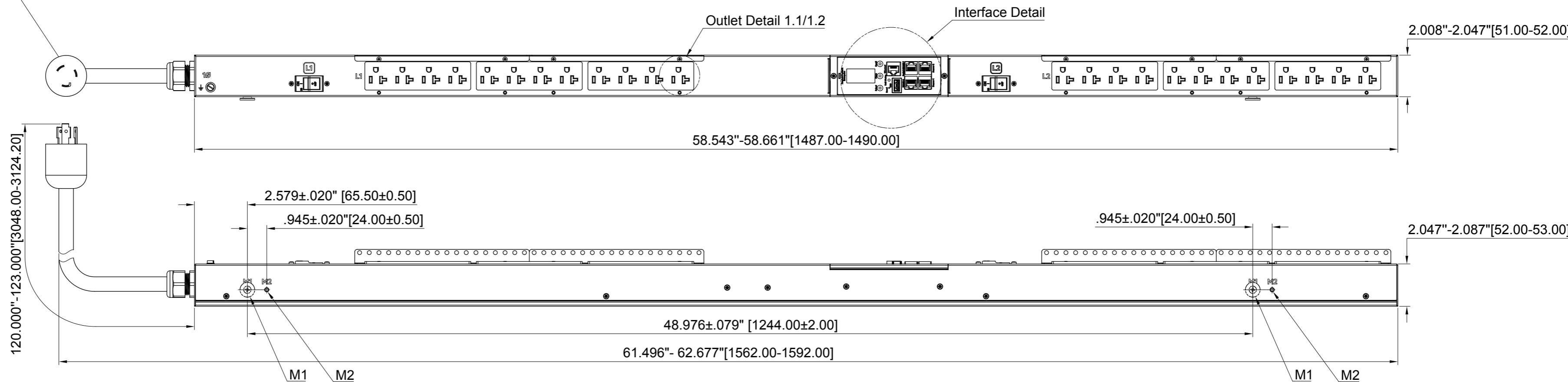
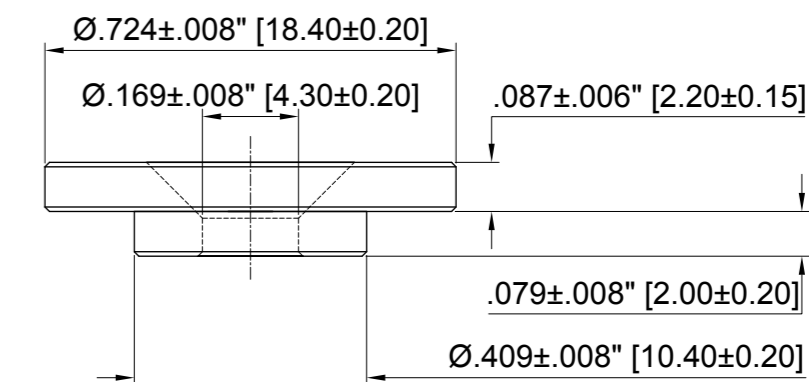
Environmental Conditions	
Operating Temperature	50-140°F (10-60°C)
Operating Rel Humidity	10-90%
Operating Elevation	0-10000ft (0-3000m)
Regulatory Information	
UL or CSA, CB Test+ FCC, ICES, VCCI	
Unit Weight	
Weight	14.2lbs (6.4kg)

### Wiring Scheme

PDU Classification	Metered
Part Number	P9R49A
Specification Number	866833-A



**Mounting Button Detail**  
For mounting at locations M1 or M2 on either side or back of the PDU



## Product Information

### Input Ratings

Nominal Voltage 120VAC, 1-Ph, 50/60Hz  
 Input Plug NEMA L5-30P (Over-molded)  
 Cord Type/Length Type SJT; 90°C; 300V; 10AWG; 3C/10'  
 Current Rating 24A (Derated)  
 Power Rating (kVA) 2.88 kVA

### Output Ratings

Nominal Voltage 120VAC, 50/60Hz  
 Current Rating 24A  
 Current/Breaker 16A (Derated)

### Outlet Configuration

Total Outlets (24) 5-20R  
 Outlets/Load Segment (12) 5-20R  
 Branch Circuit Protection (2) 1-Pole 20A UL 489 Breaker

### Features

Cord Retention Using tie wrap to lock the plugs  
 Mounting Option Vertical (OU)  
 Mounting Hardware Included

### Environmental Conditions

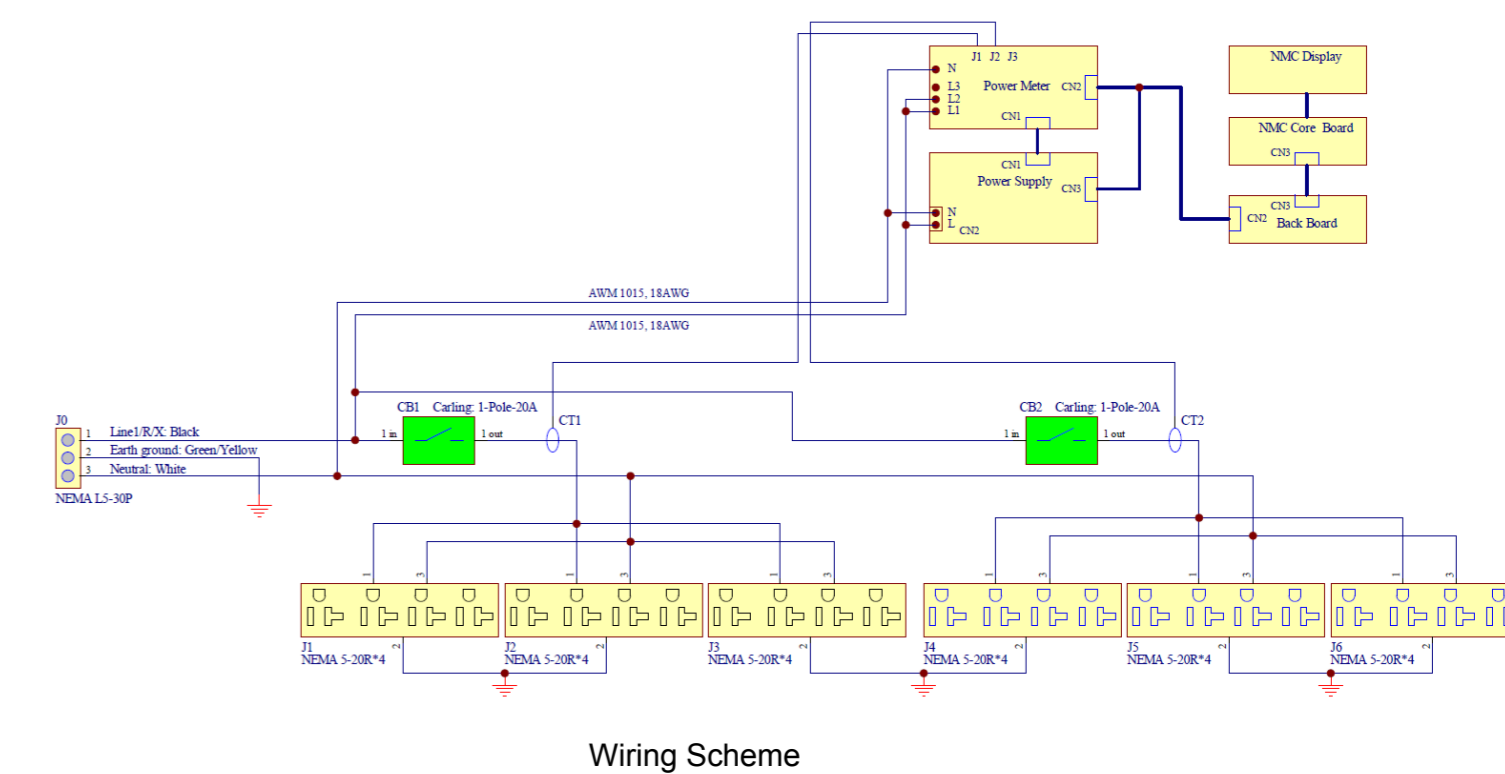
Operating Temperature 50-140°F (10-60°C)  
 Operating Rel Humidity 10-90%  
 Operating Elevation 0-10000ft (0-3000m)

### Regulatory Information

UL or CSA, CB Test+ FCC, ICES, VCCI

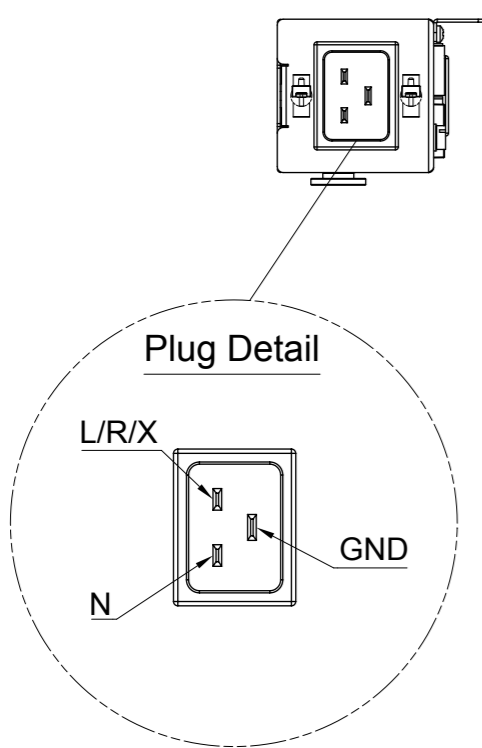
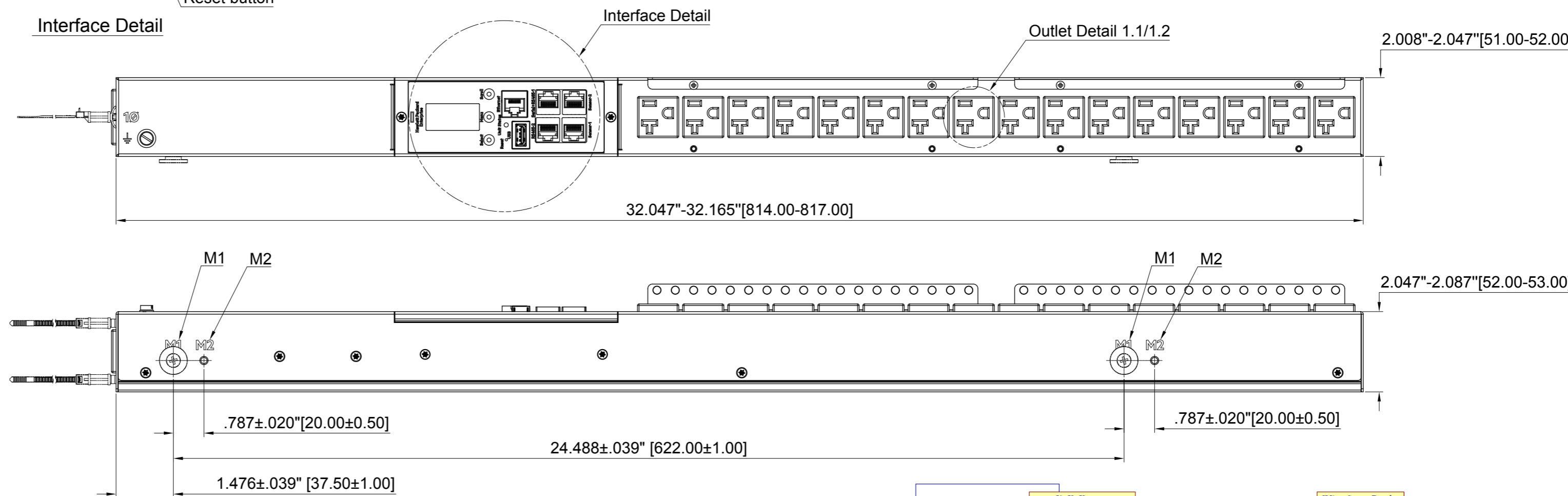
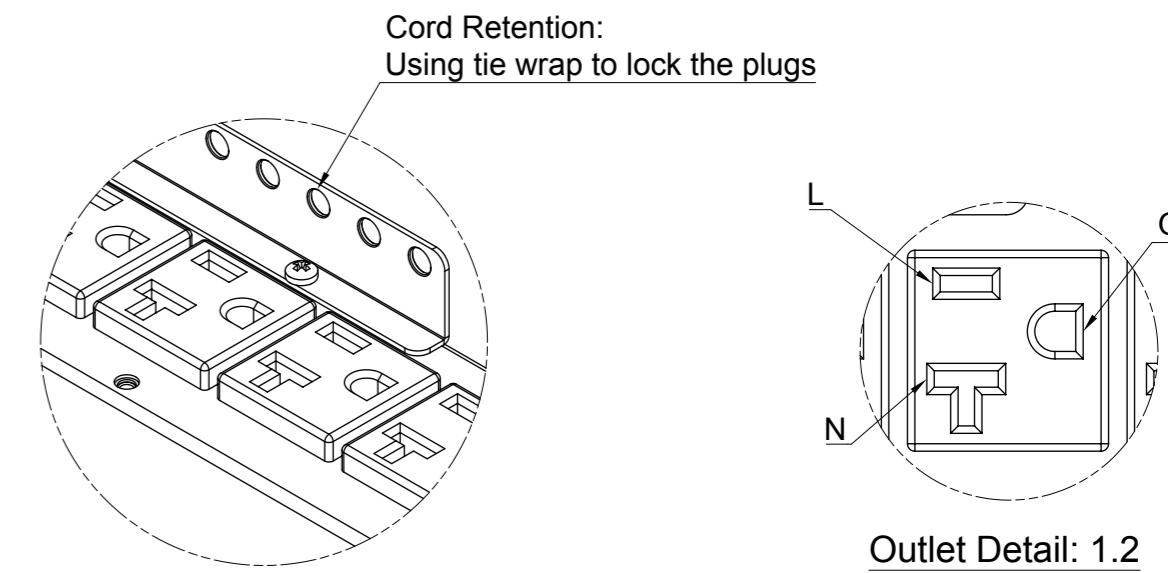
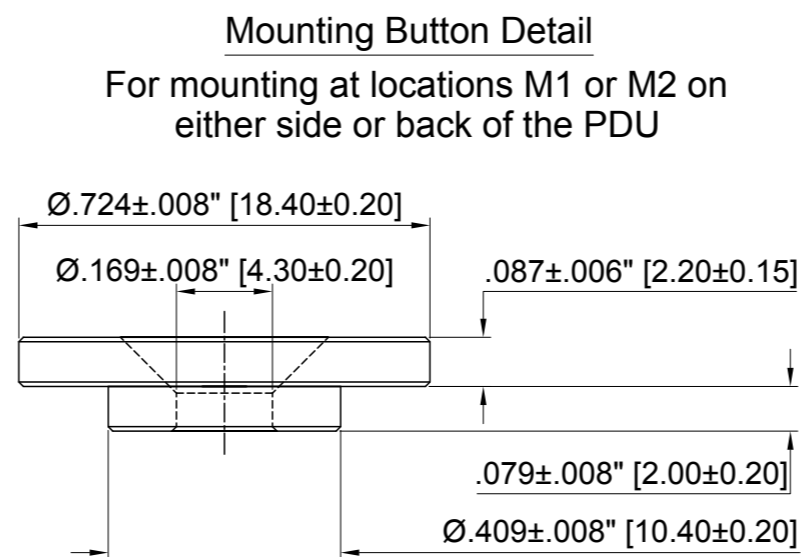
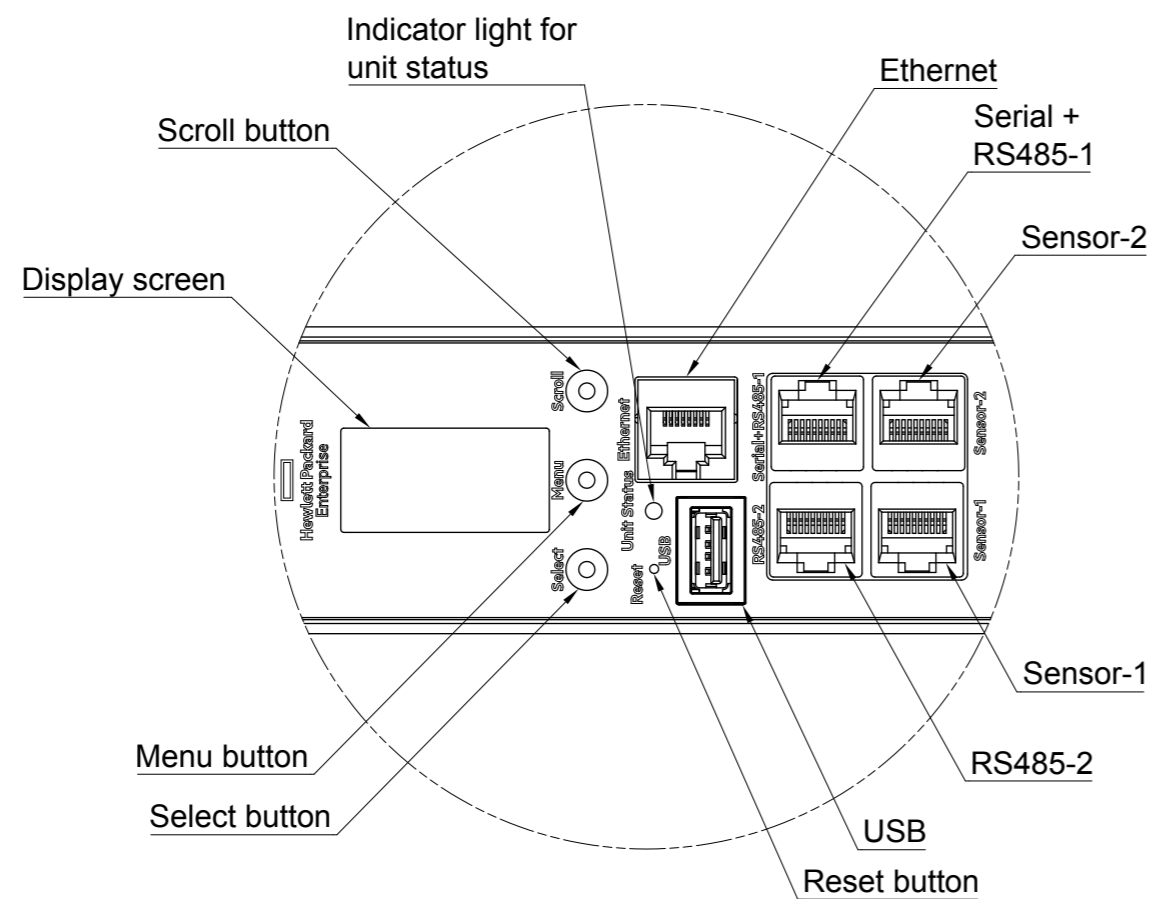
### Unit Weight

Weight 14.1lbs (6.4kg)



PDU Classification	Metered
Part Number	P9R48A
Specification Number	866833-A

**Hewlett Packard**  
Enterprise



## Product Information

**Input Ratings**  
 Nominal Voltage 120VAC, 1-Ph, 50/60Hz  
 Input Plug IEC 60320 C20  
 Current Rating 16A (Derated)  
 Power Rating (kVA) 1.92 kVA

**Output Ratings**  
 Nominal Voltage 120VAC, 50/60Hz  
 Current Rating 16A

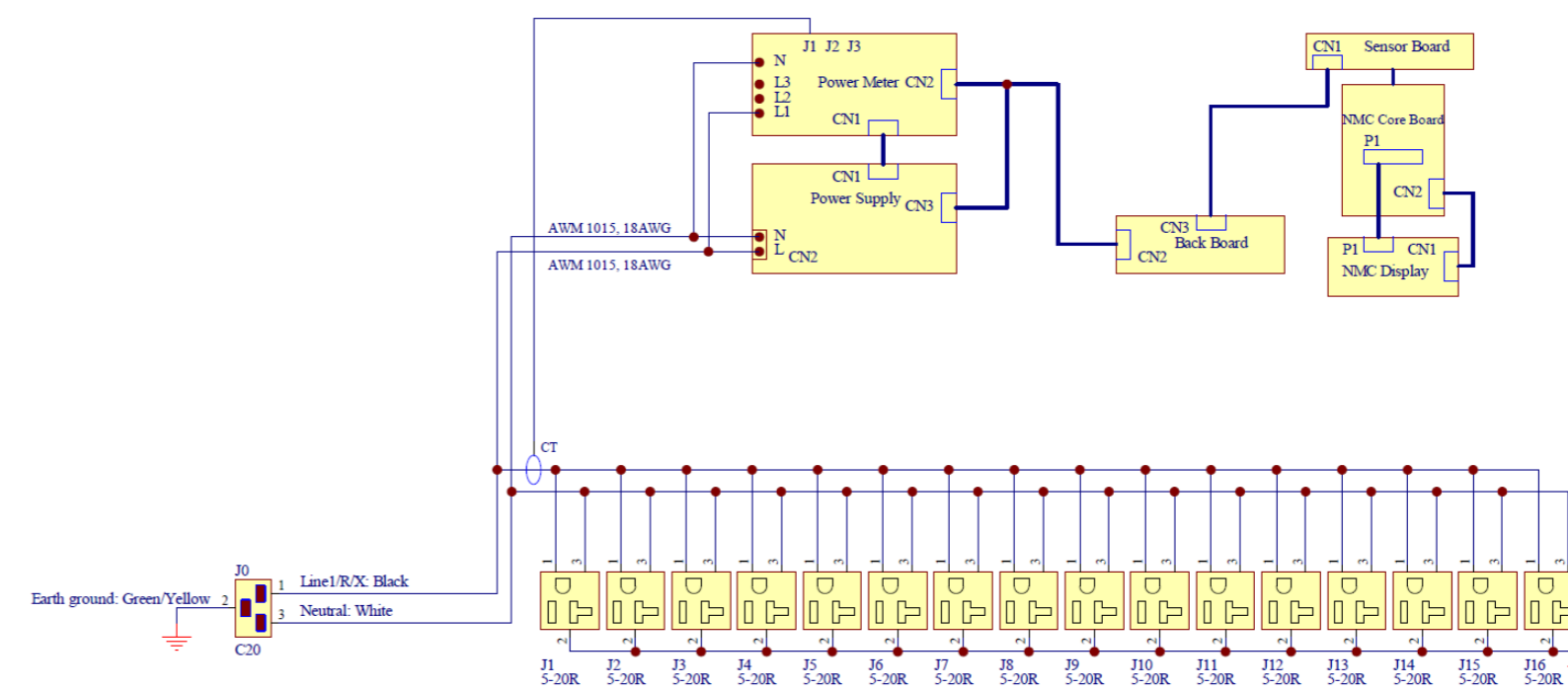
**Outlet Configuration**  
 Total Outlets (16) 5-20R

**Features**  
 Cord Retention Using tie wrap to lock the plugs  
 Mounting Option Vertical (0U)  
 Mounting Hardware Included

**Environmental Conditions**  
 Operating Temperature 50-140°F (10-60°C)  
 Operating Rel Humidity 10-90%  
 Operating Elevation 0-10000ft (0-3000m)

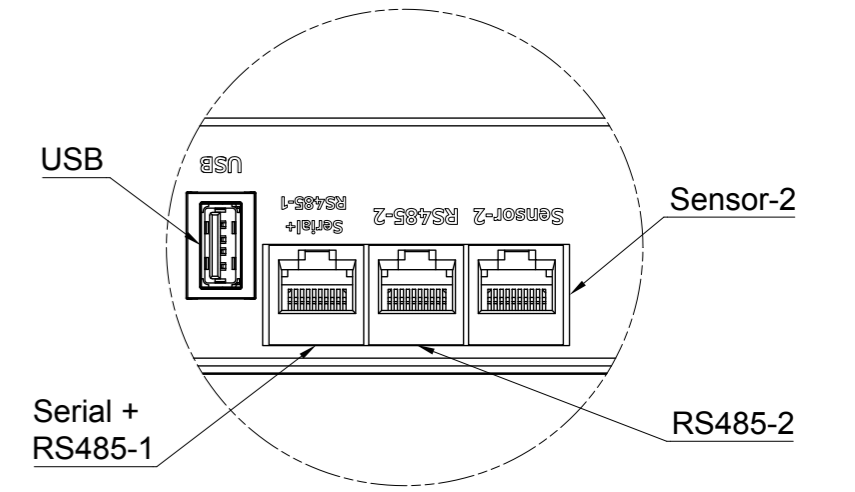
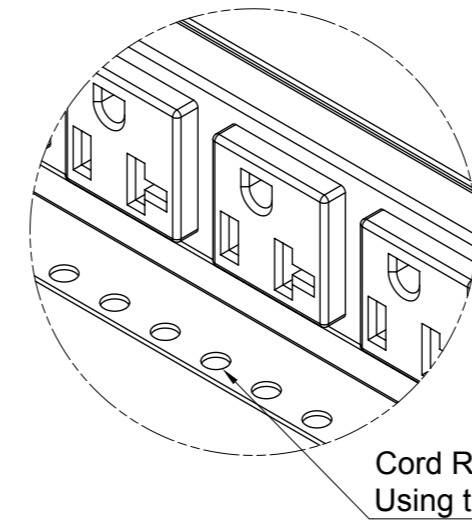
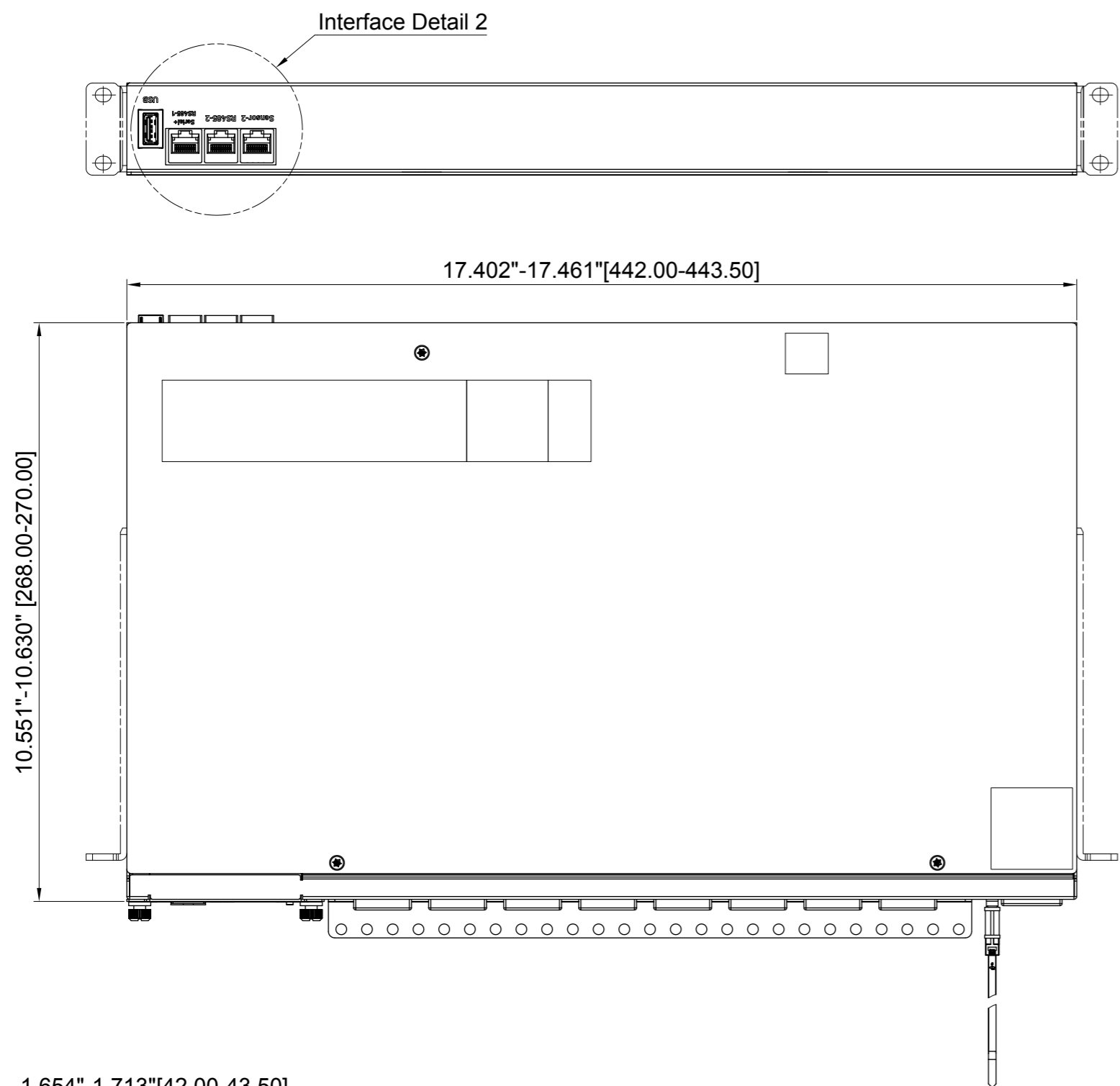
**Regulatory Information**  
 UL or CSA, CB Test+ FCC, ICES, VCCI

**Unit Weight**  
 Weight 8.3lbs (3.8kg)



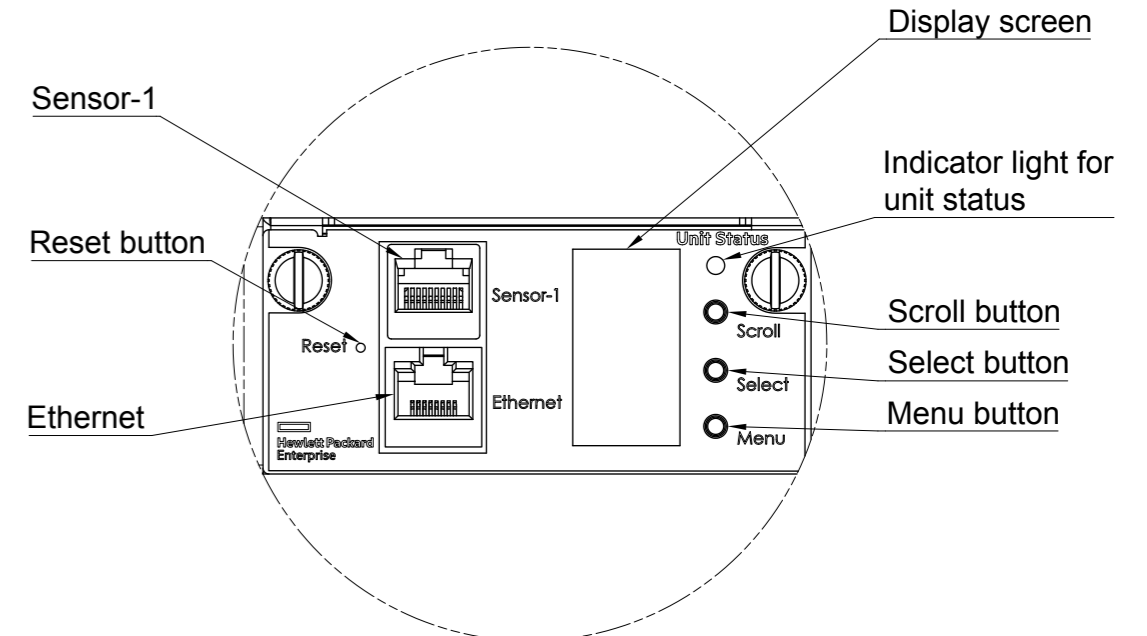
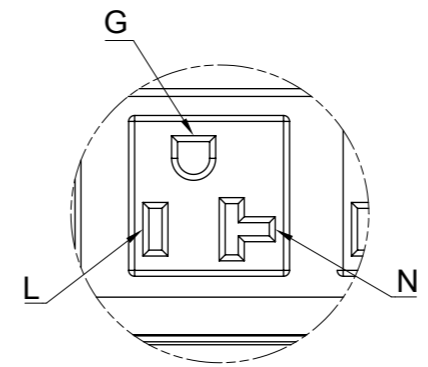
PDU Classification	Metered
Part Number	P9R46A
Specification Number	866833-A





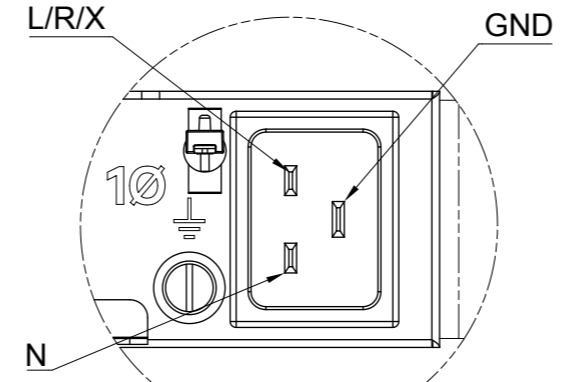
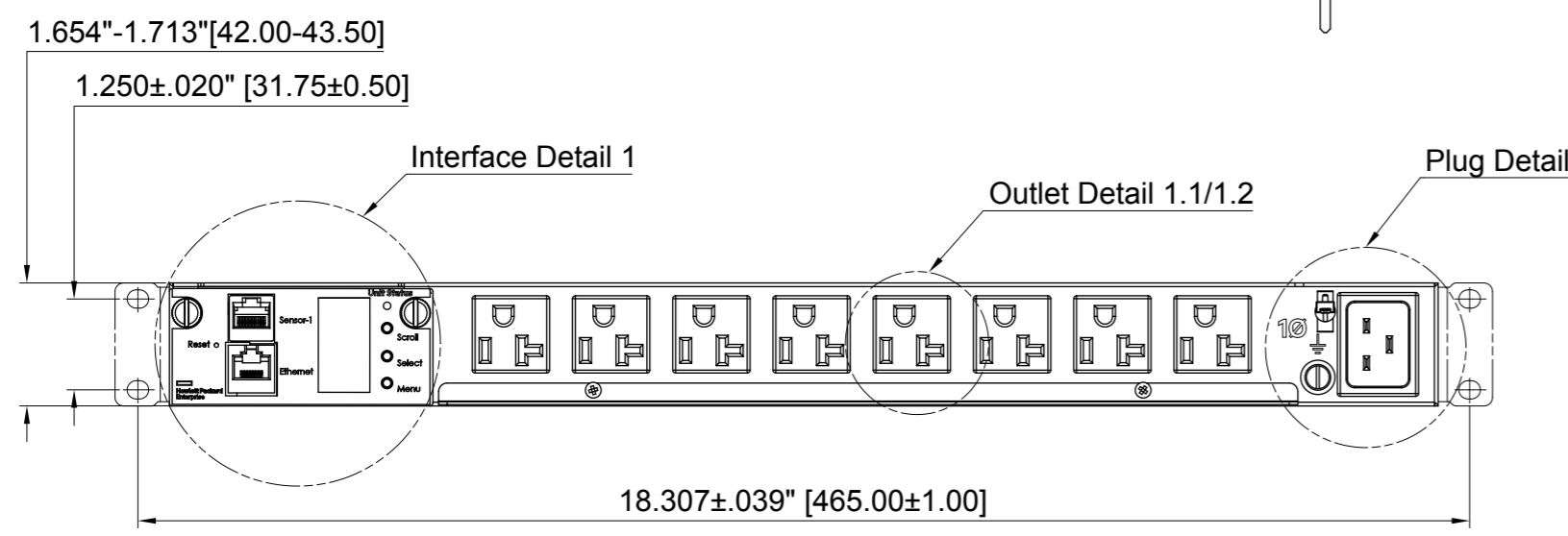
Outlet Detail: 1.1

Interface Detail 2

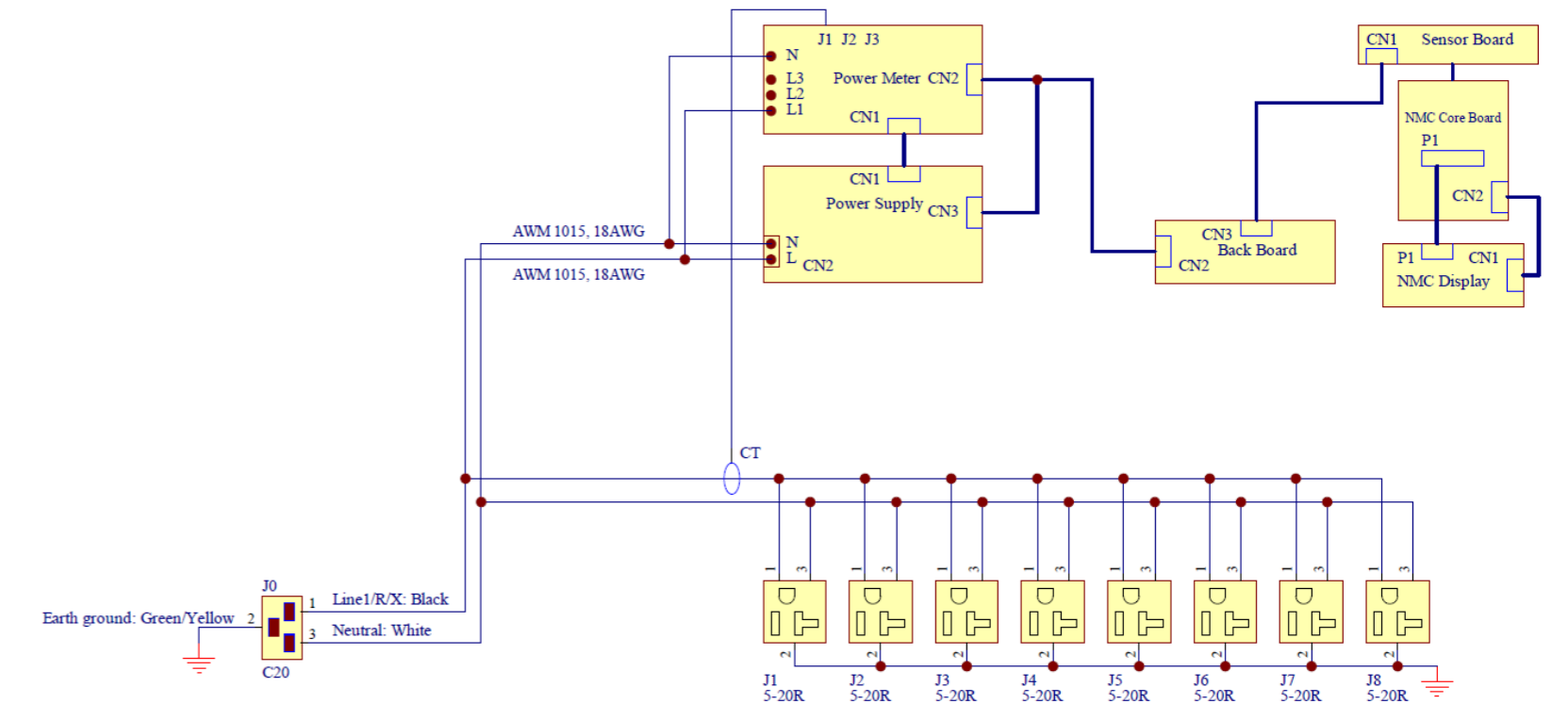


Outlet Detail: 1.2

Interface Detail 1



Plug Detail



Wiring Scheme

## Product Information

### Input Ratings

Nominal Voltage	120VAC, 1-Ph, 50/60Hz
Input Plug	IEC 60320 C20
Current Rating	16A (Derated)
Power Rating (kVA)	1.92 kVA

### Output Ratings

Nominal Voltage	120VAC, 50/60Hz
Current Rating	16A

### Outlet Configuration

Total Outlets	(8) 5-20R
---------------	-----------

### Features

Cord Retention	Using tie wrap to lock the plugs
Mounting Option	Between RETMA rail (0U), Horizontal (1U)
Mounting Hardware	Included

### Environmental Conditions

Operating Temperature	50-140°F (10-60°C)
Operating Rel Humidity	10-90%
Operating Elevation	0-10000ft (0-3000m)

### Regulatory Information

UL or CSA, CB Test+ FCC, ICES, VCCI

### Unit Weight

Weight	8.4lbs (3.8kg)
--------	----------------

PDU Classification	Metered
Part Number	P9R45A
Specification Number	866833-A



**HPE tools will help you plan your data center and configure your server, networking and storage infrastructure like a pro.**

## **HPE Rack and Power Infrastructure**

[hpe.com/info/rackandpower](http://hpe.com/info/rackandpower)

## **Infrastructure Architect**

[hpe.com/info/infrastructurearchitect](http://hpe.com/info/infrastructurearchitect)

## **Power Advisor**

[hpe.com/info/poweradvisor](http://hpe.com/info/poweradvisor)