

Start Here

IMPORTANT: Before using this product, make sure you read these instructions and the safety instructions in the online *User's Guide*.

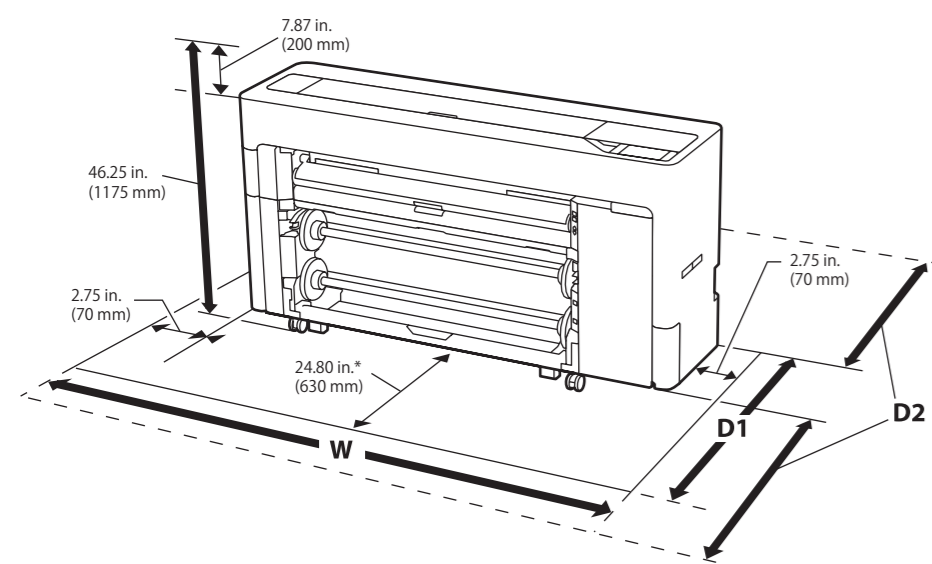
The illustrations show the SureColor P8570D, but the steps are the same for all models, unless otherwise specified.

Choose a Location for the Printer

Choose a location for the printer that is near a wall outlet where the power cord can be easily unplugged. Avoid places subject to rapid changes in temperature and humidity. Also keep the printer away from direct sunlight, strong light, or heat sources.

Make sure to place the printer on a flat, stable surface capable of supporting the weight of the printer and with enough space on all sides (see illustration and table below).

Note: See the online *User's Guide* for your printer's weight specifications.

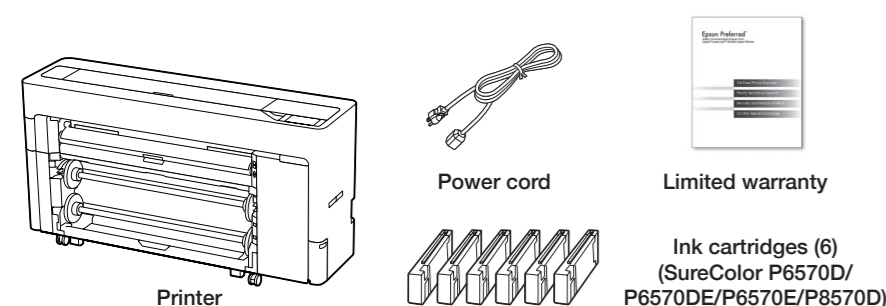


Model	W	D1	D2
SureColor P8570D	78.26 in. (1988 mm)	44.44 in. (1129 mm) in front of the printer, plus working space when using roll paper	62.99 in. (1600 mm) in front of and behind printer, plus working space when using cut sheets/poster board
SureColor P8570DL	78.46 in. (1993 mm)		
SureColor P6570D/P6570DE	59.25 in. (1505 mm)		
SureColor P6570E*		32.63 in. (829 mm)	

Note: If you are loading rigid poster board, the printer must be at least 30 inches (762 mm) away from the wall.

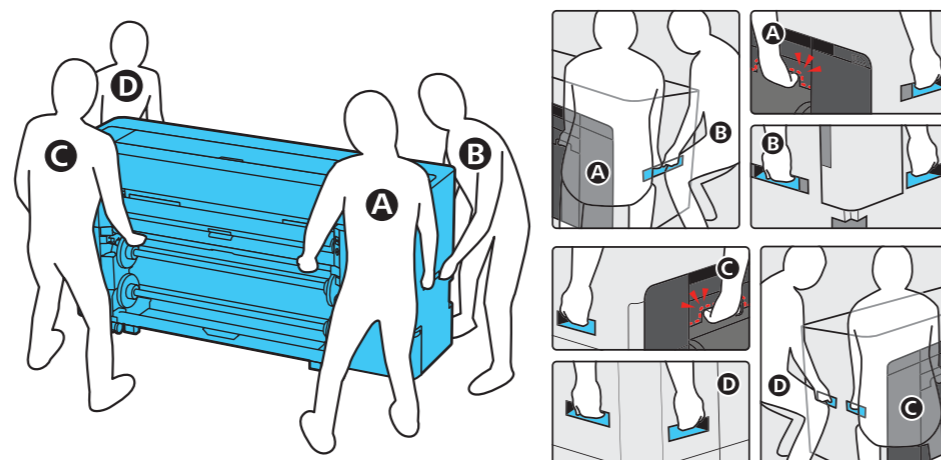
Unpack and Place Printer

1 Make sure you have these items:



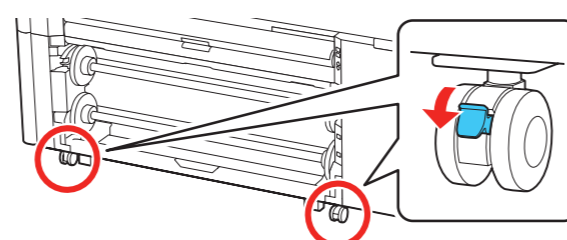
Note: Initial ink supply units (ink packs) are not included with SureColor P8570DL.

2 Remove the outer carton from the pallet and printer and carefully lift the printer off of the pallet.
WARNING: The printer requires four people to lift and move it. Make sure to grip the printer as shown in the illustration.

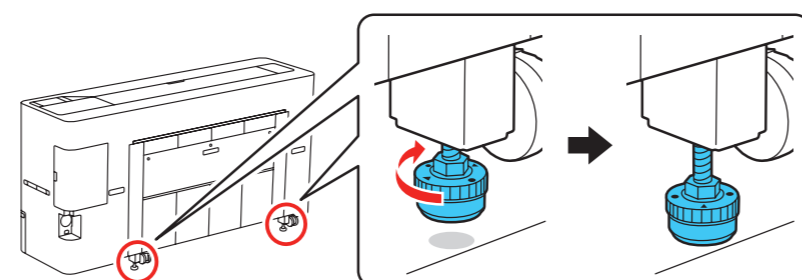


3 Remove the protective plastic and all tape from the outside of the printer.

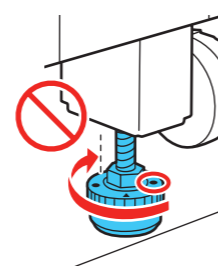
4 Lock the front casters by pushing the tabs down.



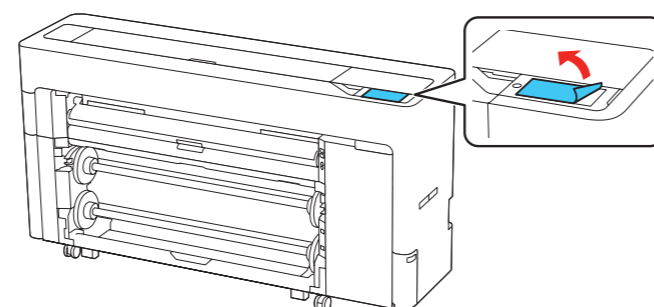
5 Secure the two adjustable feet on the back of the printer.



Note: Turn the adjustable feet by hand until they touch the floor. If you turn them 180° or more after they touch the floor, print quality may decline.

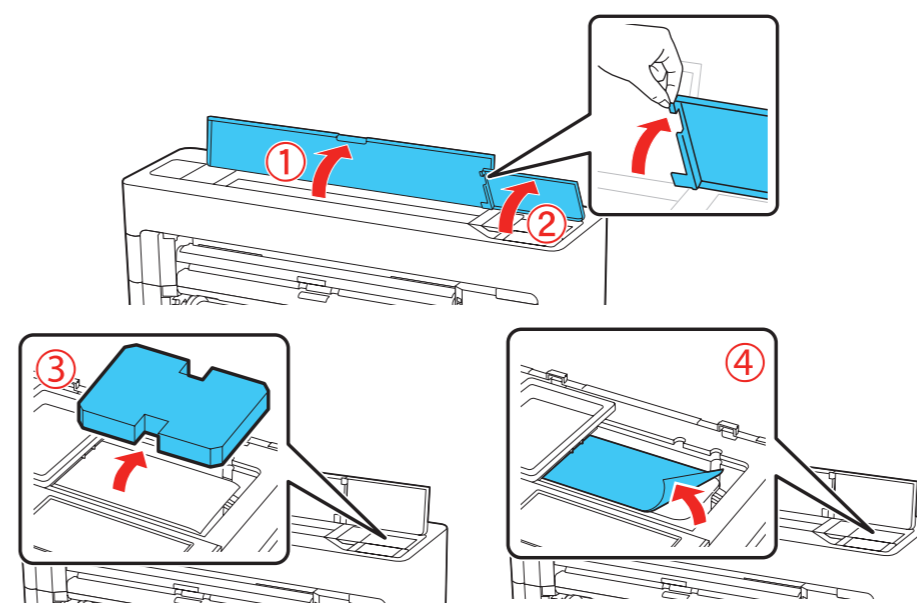


6 Remove the protective film from the touchscreen.

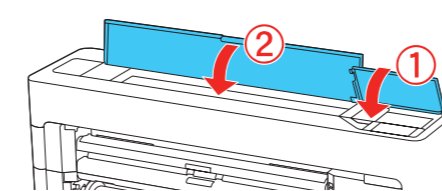


Note: The touchscreen will not operate if you do not remove the protective film.

7 Open the top covers and remove the protective film from the print head and any tape and protective material inside.



8 Close the top covers.



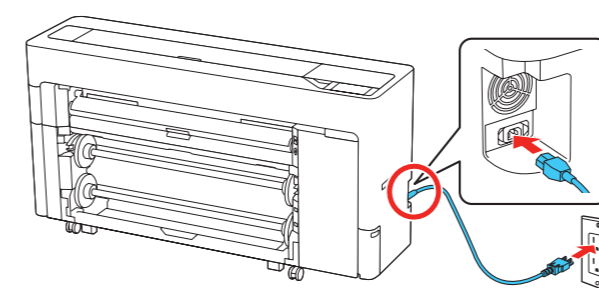
9 Remove the tape from the front of the printer and the paper catch basket.

10 Open the ink cover and remove any protective material inside.

Note: Make sure to open all compartments and remove all tape and protective materials from inside the printer before turning the printer on. Otherwise, you may not be able to print.

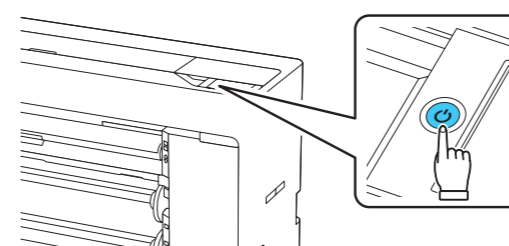
Turn On and Configure

1 Connect the power cord to the back of the printer and plug the other end into an outlet.



Note: If you are using the SSD (Solid State Drive) unit, make sure to install it in the expansion slot on the back of the printer before turning the printer on.

2 Press the power button on the control panel to turn on the printer.



3 Select your language, date, and time on the touchscreen.

Note:

- You can change these settings later using the product's control panel. For more information, see the online *User's Guide*.
- If an error code appears, turn off the printer and check that no protective material has been left inside.

4 Follow the instructions on the touchscreen to begin ink initialization.

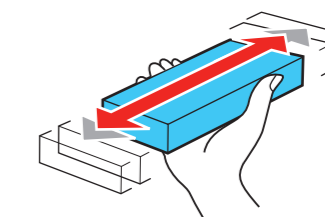
Install Ink Cartridges (SureColor P6570D/P6570DE/P6570E/P8570D)

Caution: Keep the ink cartridges out of the reach of children and do not drink the ink.

Note:

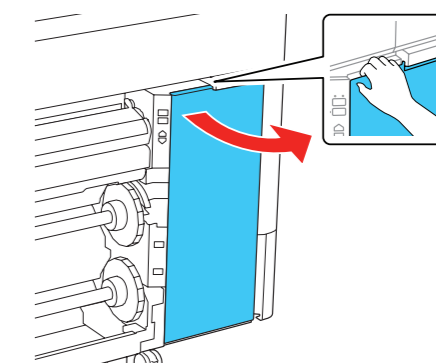
- The printer is designed for use with Epson® cartridges only, not third-party cartridges or ink.
- The cartridges included with the printer are designed for printer setup and not for resale. After some ink is used for initializing, the rest is available for printing.

1 Open the ink cartridges and shake them as shown for 10 seconds, or about 30 times.

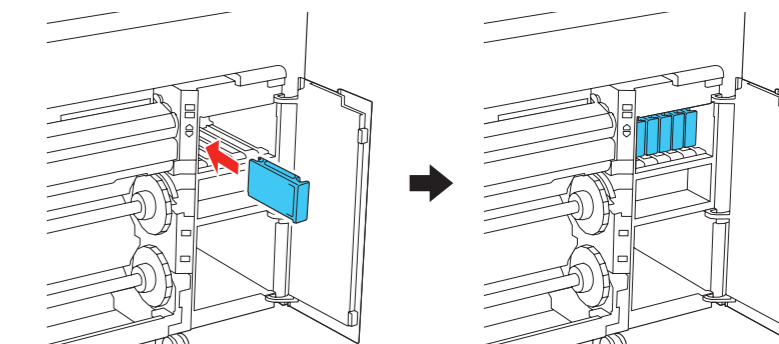


Caution: Do not touch the green chip on top of the cartridge. Doing so may prevent normal operation and printing.

2 Open the ink cover.

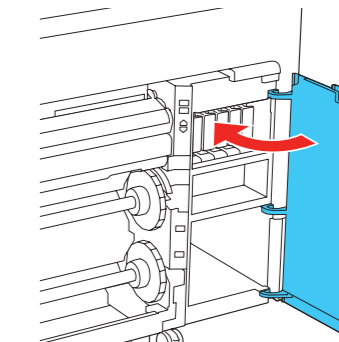


3 Insert the cartridges in the slot for each color as described on the label inside the ink cover. Push the cartridges in until they click.



Note: Make sure all of the ink cartridges are properly inserted in the product; otherwise printing is not possible.

4 Close the ink cover.



5 The printer begins charging the ink delivery system. This takes about 23 minutes. When you see a message on the touchscreen to load paper, ink charging is complete.

Caution: Do not turn off or unplug the printer or perform any other operations during ink charging.

Note:

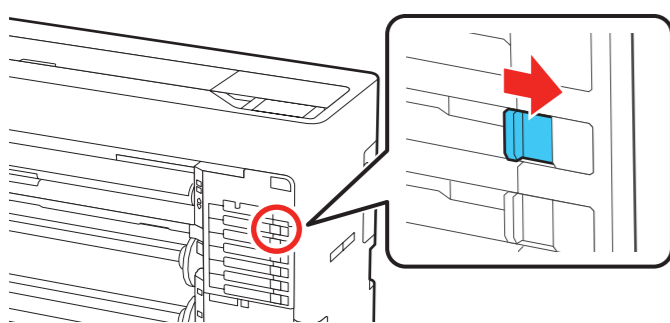
- You may need to replace the maintenance box (part number C13S210115) soon after ink initialization. See the online *User's Guide* for instructions.
- See the online *User's Guide* for instructions on loading paper.

Install Ink Supply Units (Ink Packs) (SureColor P8570DL)

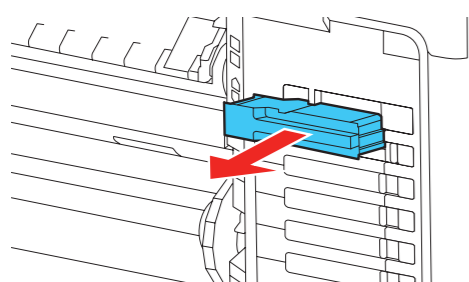
Caution: Keep the ink packs out of the reach of children and do not drink the ink.

Note: Ink packs not included.

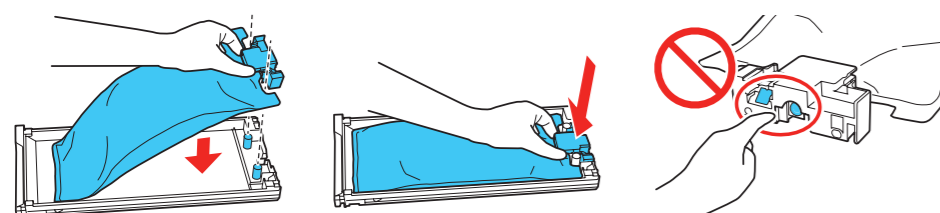
1 Slide the lock switch to the right to unlock the ink tray.



2 Pull the ink tray out of the ink slot.

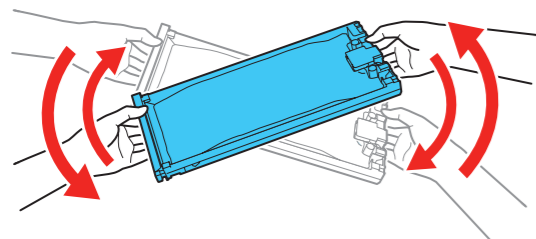


3 Insert the ink pack into the tray with the color label facing up and push it down as shown.

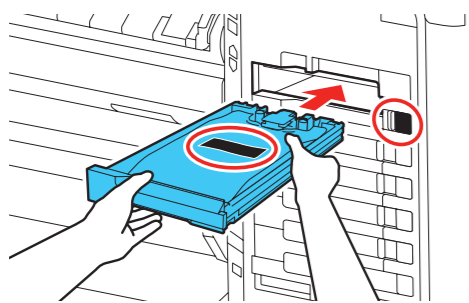


Note: Make sure the ink pack fits onto the pegs and is aligned with the top of the tray.

4 While the ink pack is in the tray, carefully shake it at least 10 times by tilting it up and down at about a 60 degree angle as shown.

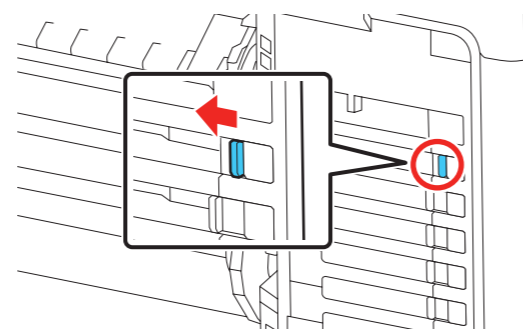


5 Match the color on the ink pack label with the color slot on the printer and insert the ink tray into the printer.



Note: The ink packs are keyed to fit into the correct color slot. If you cannot insert the ink tray all the way, do not force it. Make sure the ink pack color matches the color slot on the printer.

6 Slide the lock switch to the left to lock the ink tray. Repeat steps 1 to 6 to install the other ink packs.



7 Follow the instructions on the touchscreen to begin ink charging. When you see a message on the touchscreen to load paper, ink charging is complete.

Note: Make sure all of the ink trays are inserted in the product; otherwise printing is not possible.

Caution: Do not turn off the printer, load paper, or open any covers while the printer is charging or you'll waste ink.

Note: See the online *User's Guide* for instructions on loading paper.

Install Software

Note: An internet connection is required to obtain the product software.

1 Download and run your product's software package. For the latest software, visit <http://epson.com/support> (U.S.), <http://epson.ca/support> (Canada), or <http://latin.epson.com/support> (Caribbean) and search for your product.

2 Follow the instructions on the screen to run the setup program.

3 When you see the Select Your Connection screen, select one of the following and follow the on-screen instructions:

- Wired network connection**
Make sure you have an Ethernet cable (not included).
- Wireless connection**
In most cases, the software installer automatically attempts to set up your wireless connection. If setup is unsuccessful, you may need to enter your network name (SSID) and password.
- Direct USB connection**
Make sure you have a USB 2.0 or 3.0 cable (not included).
Note: If you do not use a USB 2.0 or 3.0 cable, print speed and performance may decline.

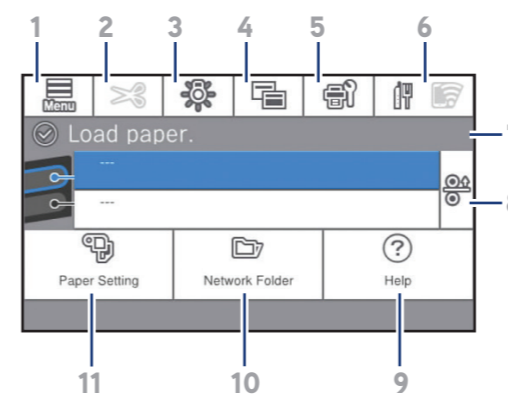
Mobile Printing

Connect wirelessly from your smartphone, tablet, or computer. Print documents and photos from across the room or around the world:

- Print directly from your iOS device. Simply connect your printer and device to the same network and tap the action icon to select the print option.
- Turn your mobile device into an intuitive, easy-to-use printing control center with Epson Smart Panel®. Download the app from your mobile device's app store.
- Print directly from your Android™ (v4.4 or later) device*. Simply connect your printer and device to the same network and tap the menu icon to select the print option.

* May require the Epson Print Enabler or Mopria Print Service app from Google Play™.

Using the Touchscreen



- Accesses printer settings
- Feeds or cuts media
- Turns on or off the printer's interior light
- Switches the screen view to display additional information
- Displays maintenance settings
- Displays the network connection status
- Displays the printer's status
- Opens platen to remove jammed paper
- Displays the Help menu
- Displays network folder options
- Selects paper size and type settings

Product Support

User's Guide

Windows®: Click the icon on your desktop or Apps screen to access the online *User's Guide*.

Mac: Click the icon in Applications/Epson Software/Guide to access the online *User's Guide*.

If you don't have a User's Guide icon, go to the Epson website, as described in "Epson technical support."

Epson technical support

Visit <http://epson.com/support> (U.S.), <http://epson.ca/support> (Canada), or <http://latin.epson.com/support> (Caribbean) and search for your product to download software and utilities, view manuals, get FAQs and troubleshooting advice, or contact Epson.

Epson provides technical support and information on the installation, configuration, and operation of professional printing products through the Epson Preferred™ Limited Warranty Plan. Dial (888) 377-6611, 7 a.m. to 4 p.m., Pacific Time, Monday through Friday. Days and hours of support are subject to change without notice. Before you call, make sure you have your:

- Printer serial number: _____
- Proof of purchase and date: _____

Note: If you experience difficulty with the toll-free line, call (562) 276-1305.

Recycling

Epson offers a recycling program for end of life hardware, ink packs, and ink cartridges. Please go to <http://epson.com/recycle> (U.S.) or <http://epson.ca/recycle> (Canada) for information on how to return your products for proper disposal.

Need Ink?

You can purchase ink from an Epson authorized reseller. To find the nearest reseller, call 800-GO-EPSON (800-463-7766).

SureColor P6570D/P6570DE/P6570E/P8570D replacement ink cartridges

Color	110 ml	350 ml	700 ml
● Photo Black	T49A120	T48S120	T48L120
● Cyan	T49A220	T48S220	T48L220
● Magenta	T49A320	T48S320	T48L320
● Yellow	T49A420	T48S420	T48L420
● Matte Black	T49A820	T48S820	T48L820
● Gray	T49AE20	T48SE20	T48LE20

SureColor P8570DL ink packs

Color	1600 ml
● Photo Black	T53E120
● Cyan	T53E220
● Magenta	T53E320
● Yellow	T53E420
● Matte Black	T53E820
● Gray	T53E720

Options and replacement parts

Option	Part Number
Replacement Printer Cutter Blade	C13S210117
Maintenance Box	C13S210115
Borderless Maintenance Box	C13S210116
Cleaning Stick	C13S090013
SSD Unit	C12C936671
Additional Roll Feed Spindle (44") (SureColor P8570D/P8570DL)	C12C936671
Additional Roll Feed Spindle (24") (SureColor P6570D/P6570DE/P6570E)	C12C937711



EPSON, Epson Smart Panel, and SureColor are registered trademarks and the EPSON logo is a registered logomark of Seiko Epson Corporation.

Epson Preferred is a service mark of Epson America, Inc.

Mac is a trademark of Apple Inc., registered in the U.S. and other countries.

Android and Google Play are trademarks of Google LLC.

Microsoft and Windows are trademarks of the Microsoft group of companies.

General Notice: Other product names used herein are for identification purposes only and may be trademarks of their respective owners. Epson disclaims any and all rights in those marks.

This information is subject to change without notice.

© 2023 Epson America, Inc., 5/23

Printed in U.S.A.

CPD-61137R1