

Quick Start Guide
Guide de démarrage rapide
Guide de démarrage rapide
Kurzanleitung / Guida rapida
Guía de inicio rápido
Guia de início rápido
Краткое руководство
快速入門指南
Hızlı Başlangıç Kılavuzu

AKR123
AMR120

Product name / 產品名稱 :
Acer Wireless Bluetooth Keyboard and Mouse / 無線藍牙鍵盤和滑鼠
Model No. / 型號 : AKR123 / AMR120
Bluetooth Wireless Keyboard Rated / 額定功率 : 3V $\frac{100}{1000}$ mA
Bluetooth Wireless Mouse Rated / 額定功率 : 3V $\frac{50}{500}$ mA
Made in China / 中國製造



FCC STATEMENT
1. This device complies with Part 15 of the FCC Rules. Operation is subject to the following two conditions:
(1) This device may not cause harmful interference, and
(2) This device must accept any interference received, including interference that may cause undesired operation.
2. Changes or modifications not expressly approved by the party responsible for compliance could void the user's authority to operate the equipment.

NOTE: This equipment has been tested and found to comply with the limits for a Class B digital device, pursuant to Part 15 of the FCC Rules. These limits are designed to provide reasonable protection against harmful interference in a residential installation.

This equipment generates uses and can radiate radio frequency energy and, if not installed and used in accordance with the instructions, may cause harmful interference to radio communications. However, there is no guarantee that interference will not occur in a particular installation. If this equipment does cause harmful interference to radio or television reception, which can be determined by turning the equipment off and on, the user is encouraged to try to correct the interference by one or more of the following measures:
• Reorient or relocate the receiving antenna.
• Increase the separation between the equipment and receiver.
• Connect the equipment into an outlet on a circuit different from that to which the receiver is connected.
• Consult the dealer or an experienced radio/TV technician for help.

RF warning statement:
The device has been evaluated to meet general RF exposure requirement. The device can be used in portable exposure condition without restriction.

IC warning
- English:
Cet appareil contient des émetteurs / récepteurs exemptés de licence conformes aux RSS (RSS) d'Innovation, Sciences et Développement économique Canada. L'exploitation est autorisée aux deux conditions suivantes :
(1) This device may not cause interference, and
(2) This device must accept any interference, including interference that may cause undesired operation of the device.

- French:
Cet appareil contient des émetteurs / récepteurs exemptés de licence conformes aux RSS (RSS) d'Innovation, Sciences et Développement économique Canada. L'exploitation est autorisée aux deux conditions suivantes :
(1) l'appareil ne doit pas produire de brouillage, et
(2) l'utilisateur de l'appareil doit accepter tout brouillage radio électrique subi, même si le brouillage est susceptible d'en compromettre le fonctionnement.

English

Quick Start Guide

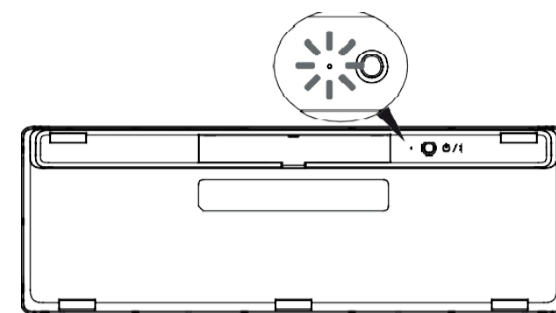
Mouse Specifications

- Model: AMR120
- Buttons: 3
- Sensor Type: Optical
- Dimensions (L x W x H): 100.95 x 58.14 x 39.88 mm
- Weight: 86 ± 10 g
- Connector Type: Bluetooth 5.2
- DPI: 1000

Keyboard Specifications

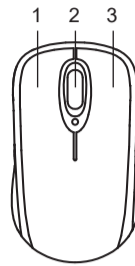
- Model: AKR123
- Dimensions (L x W x H): 345 x 118 x 22.3 mm
- Weight: 310 ± 10 g
- Connector Type: Bluetooth 5.2

Device Features



1. LED Indicator

Device Features



1. Left button
2. Scroll wheel
3. Right button

Français

Guide de démarrage rapide

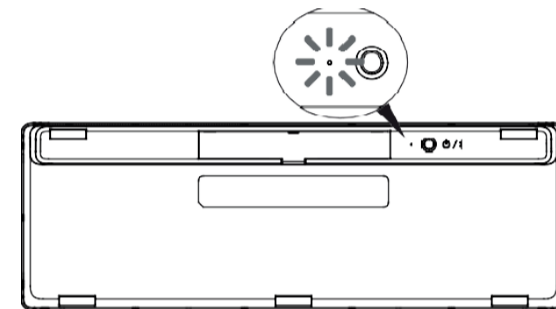
Spécifications de la souris

- Modèle : AMR120
- Boutons : 3
- Type de capteur : Optique
- Dimensions (Lo x La x H) : 100,95 x 58,14 x 39,88 mm
- Poids : 86 ± 10 g
- Type de connecteur : Bluetooth 5.2
- PPP : 1000

Spécifications du clavier

- Modèle : AKR123
- Dimensions (Lo x La x H) : 345 x 118 x 22,3 mm
- Poids : 310 ± 10 g
- Type de connecteur : Bluetooth 5.2

Fonctionnalités du périphérique



1. Diode témoin

Fonctionnalités du périphérique



1. Bouton gauche
2. Molette de défilement
3. Bouton droit



EU Declaration of Conformity

We, **Acer Incorporated**
8F, 88, Sec. 1, Xintai 5th Rd., Xizhi, New Taipei City 221, Taiwan

And, **Acer Italy s.r.l.**
Viale delle Industrie 1/A, 20020 Arese (MI), Italy
Tel: +39-02-939-921, Fax: +39-02-9399-2913
www.acer.it

Product: Acer Wireless Keyboard and Mouse KM501
Trade Name: acer
Model Number: AMR120 (Mouse) / AKR123 (Keyboard)

We, Acer Incorporated, hereby declare under our sole responsibility that the product described above is in conformity with the relevant Union harmonization legislation: Radio Equipment Directive 2014/53/EU and RoHS Directive 2011/65/EU. The following harmonized standards and/or other relevant standards have been applied:
EN 300 328 V2 2.2 (2019-07)
EN 301 489-1 V2 2.3 (2019-11)
EN 301 489-1 V3 2.4 (2020-09)
EN 62479: 2010
EN 62368-1: 2014+A11: 2017
EN 50581: 2012

This radio equipment operates with the following frequency bands and maximum radio-frequency power:
Frequency: 2400 - 2483.5 MHz
Maximum Output Power: 35m or 2mW

Year to begin affixing CE marking: 2021.

R. Jan
RU Jan / Sr. Manager
Acer Incorporated (Taipei, Taiwan)
7/28/2021
Date



**Federal Communications Commission
Declaration of Conformity**

This device complies with Part 15 of the FCC Rules. Operation is subject to the following two conditions: (1) This device may not cause harmful interference, and (2) This device must accept any interference received, including interference that may cause undesired operation.

The following local Manufacturer / Importer is responsible for this declaration:

Product:	Acer Wireless Keyboard and Mouse KM501
Model Number:	AMR120 (Mouse) / AKR123 (Keyboard)
Name of Responsible Party:	Acer America Corporation
Address of Responsible Party:	333 West San Carlos St., Suite 1500 San Jose, CA 95110, U. S. A. U. S. A.
Contact Person:	Acer Representative
Phone No.:	254-298-4000
Fax No.:	254-298-4147

Français

Guide de démarrage rapide

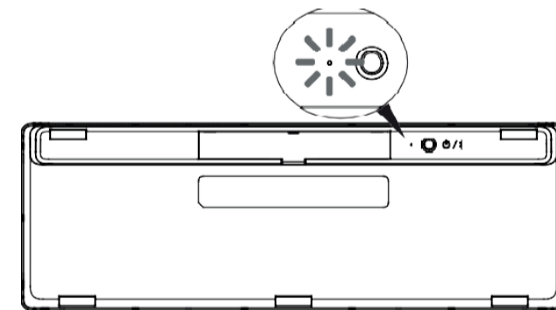
Spécifications de la souris

- Modèle : AMR120
- Boutons : 3
- Type de capteur : Optique
- Dimensions (Lo x La x H) : 100,95 x 58,14 x 39,88 mm
- Poids : 86 ± 10 g
- Type de connecteur : Bluetooth 5.2
- PPP : 1000

Spécifications du clavier

- Modèle : AKR123
- Dimensions (Lo x La x H) : 345 x 118 x 22,3 mm
- Poids : 310 ± 10 g
- Type de connecteur : Bluetooth 5.2

Fonctionnalités du périphérique



1. Voyant à diode

Fonctionnalités du périphérique



1. Bouton gauche
2. Molette de défilement
3. Bouton droit

設備名稱	限制物質及其化學符號					
	鉛 (Pb)	汞 (Hg)	鎘 (Cd)	六價鉻 (Cr ⁶⁺)	多溴聯苯 (PBB)	多溴二苯醚 (PBDE)
電路板組件	-	○	○	○	○	○
外觀	○	○	○	○	○	○
接線	○	○	○	○	○	○
連接線/配件	○	○	○	○	○	○

備考1: "○" 係指該項限制物質之百分比含量未超出百分比含量基準值。
備考2: "-" 係指該項限制物質為排除項目。

設備名稱	限制物質及其化學符號					
	鉛 (Pb)	汞 (Hg)	鎘 (Cd)	六價鉻 (Cr ⁶⁺)	多溴聯苯 (PBB)	多溴二苯醚 (PBDE)
電路板組件	-	○	○	○	○	○
外觀	○	○	○	○	○	○
滾輪裝置	○	○	○	○	○	○
連接線/配件	○	○	○	○	○	○

備考1: "○" 係指該項限制物質之百分比含量未超出百分比含量基準值。
備考2: "-" 係指該項限制物質為排除項目。

NCC 警語如下:
取得審驗證明之低功率射頻器材，非經核准，公司、商號或使用者均不得擅自變更頻率、加大功率或變更原設計之特性及功能。低功率射頻器材之使用不得影響飛航安全及干擾合法通信；經發現有干擾現象時，應立即停用，並改善至無干擾時方得繼續使用。前述合法通信，指依電信管理法規定作業之無線電通信。低功率射頻器材須忍受合法通信或工業、科學及醫療用電波輻射性電機設備之干擾。

Deutsch

Kurzanleitung

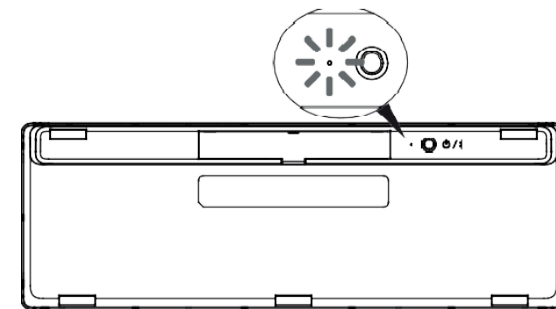
Maus Technische Daten

- Modell: AMR120
- Tasten: 3
- Sensortyp: Optisch
- Abmessungen (L x B x H): 100,95 x 58,14 x 39,88 mm
- Gewicht: 86 ± 10 g
- Steckertyp: Bluetooth 5.2
- DPI: 1000

Tastatur Technische Daten

- Modell: AKR123
- Abmessungen (L x B x H): 345 x 118 x 22,3 mm
- Gewicht: 310 ± 10 g
- Steckertyp: Bluetooth 5.2

Geräteigenschaften



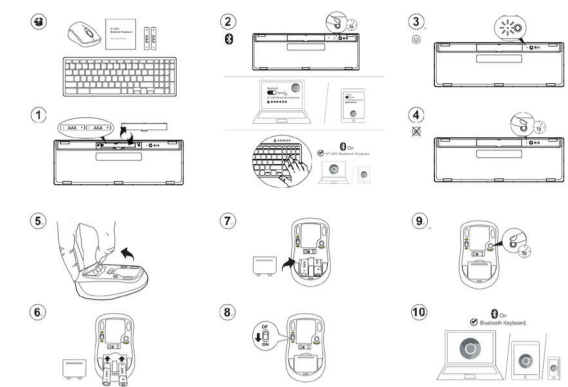
1. LED-Anzeige

Geräteigenschaften



1. Linke Taste
2. Bildlaufrad
3. Rechte Taste

Setup the Connection between the Receiver and the Mouse, Keyboard.



Contents of the Box

- Bluetooth Mouse x1
- Bluetooth Keyboard x1
- AAA Battery x4
- Quick Start Guide x1
- Warranty Booklet x1

Cautions

- Do not disassemble the device or operate the device under abnormal conditions.
- Do not submerge the device in water.
- If the device could not be functional, or there was thermal abnormal situation, please re-plug into USB ports.
- If you still encounter problems after going through the corrective measures, please contact your dealer or an authorized service center for assistance.
- For more information regarding Acer accessories, please visit Acer website at www.acer.com.

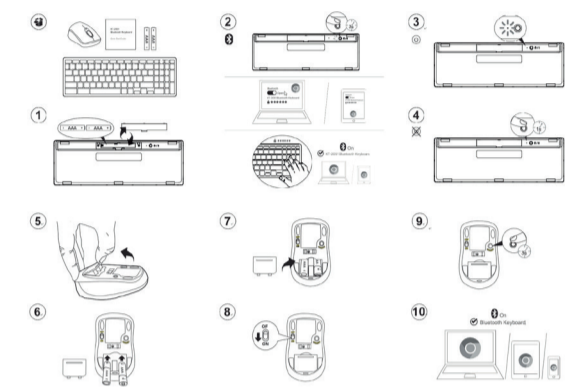
Environment

- Temperature:**
- Operating: 0 °C to 40 °C
 - Non-operating: -10 °C to 60 °C
- Humidity (non-condensing):**
- Operating: 10% to 90%
 - Non-operating: 10% to 90%

Manufacturer address

8F, No. 88, Sec. 1, Xintai 5th Rd., Xizhi Dist., New Taipei City 221, Taiwan
Please visit www.acer.com for warranty.

Configure the connection between the receiver and the mouse, the keyboard.



Contenu de la boîte

- Souris Bluetooth x1
- Clavier Bluetooth x1
- Pile AAA x4
- Guide de démarrage rapide x1
- Livret de garantie x1

Précaution

- Ne démontez pas l'appareil et n'utilisez pas l'appareil dans des conditions anormales.
- Ne plongez pas l'appareil dans l'eau.
- Si l'appareil ne fonctionne pas ou s'il y a eu une situation anormale, veuillez rebrancher aux ports USB.
- Si vous avez toujours des problèmes après avoir passé en revue les mesures correctrices, veuillez contacter votre revendeur ou un centre de service agréé.
- Pour plus d'informations concernant les accessoires Acer, veuillez visiter le site Web Acer sur www.acer.com.

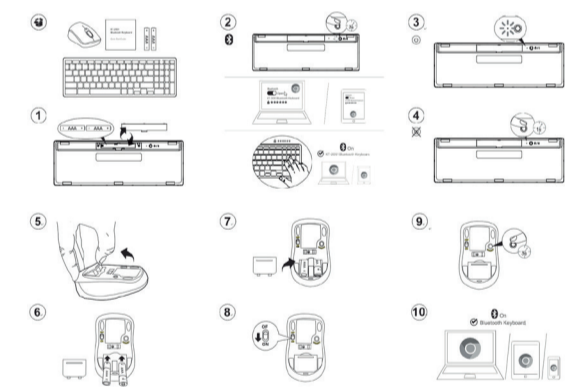
Environnement

- Température :**
- En marche : 0 °C à 40 °C
 - À l'arrêt : -10 °C à 60 °C
- Humidité (sans condensation) :**
- En marche : 10% à 90%
 - À l'arrêt : 10% à 90%

Adresse du fabricant

8F, No. 88, Sec. 1, Xintai 5th Rd., Xizhi Dist., New Taipei City 221, Taiwan
Veuillez visiter www.acer.com pour la garantie.

Configure the connection between the receiver and the mouse, the keyboard.



Contenu de la boîte

- Souris Bluetooth x1
- Clavier Bluetooth x1
- Pile AAA/LR03 x4
- Guide de démarrage rapide x1
- Livret de garantie x1

Attention

- Ne démontez pas l'appareil et n'utilisez pas l'appareil dans des conditions anormales.
- Ne plongez pas l'appareil dans l'eau.
- Si l'appareil ne fonctionne pas ou s'il y a eu une situation anormale, veuillez rebrancher dans les ports USB.
- Si vous avez toujours des problèmes après avoir passé en revue les mesures correctrices, veuillez contacter votre revendeur ou un centre de service agréé.
- Pour plus d'informations concernant les accessoires Acer, veuillez visiter le site Web d'Acer sur www.acer.com.

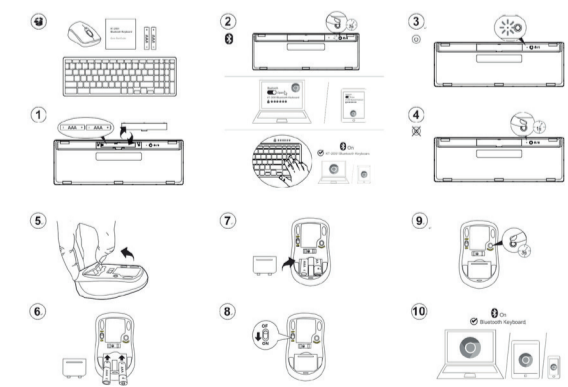
Environnement

- Température :**
- En marche : 0 °C à 40 °C
 - À l'arrêt : -10 °C à 60 °C
- Humidité (sans condensation) :**
- En marche : 10% à 90%
 - À l'arrêt : 10% à 90%

Adresse du fabricant

8F, No. 88, Sec. 1, Xintai 5th Rd., Xizhi Dist., New Taipei City 221, Taiwan
Veuillez visiter www.acer.com pour la garantie.

Richten Sie die Verbindung zwischen dem Empfänger und der Maus, Tastatur, ein.



Paketinhalt

- Bluetooth Maus x1
- Bluetooth Tastatur x1
- AAA Batterie x4
- Kurzanleitung x1
- Garantieheft x1

Vorsicht

- Nehmen Sie das Gerät nicht auseinander und betreiben Sie es nicht unter ungeeigneten Bedingungen.
- Tauchen Sie das Gerät nicht in Wasser ein.
- Wenn das Gerät nicht funktionsfähig ist oder eine thermische Störung auftrat, bitte erneut mit den USB-Anschlüssen verbinden.
- Sollten Sie nach dem Durchführen der Korrekturmaßnahmen weiterhin Probleme haben, wenden Sie sich bitte an Ihren Händler oder ein autorisiertes Servicezentrum, um Hilfe zu erhalten.
- Weitere Informationen über Acer Zubehör finden Sie auf Acer Webseite unter www.acer.com.

Umgebung

- Temperatur:**
- Betrieb: 0 °C bis 40 °C
 - Nichtbetrieb: -10 °C bis 60 °C
- Luftfeuchtigkeit (nicht kondensierend):**
- Betrieb: 10% bis 90%
 - Nichtbetrieb: 10% bis 90%

Adresse des Herstellers

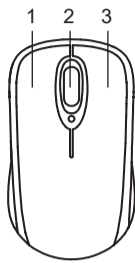
8F, No. 88, Sec. 1, Xintai 5th Rd., Xizhi Dist., New Taipei City 221, Taiwan
Bitte besuchen Sie www.acer.com für Garantieinformationen.

Guida rapida

Specifiche del mouse

- Modello: AMR120
- Pulsanti: 3
- Tipo di sensore: Ottico
- Dimensioni (L x P x A): 100,95 x 58,14 x 39,88 mm
- Peso: 86 ± 10 g
- Tipo di connettore: Bluetooth 5.2
- DPI: 1000

Caratteristiche del dispositivo

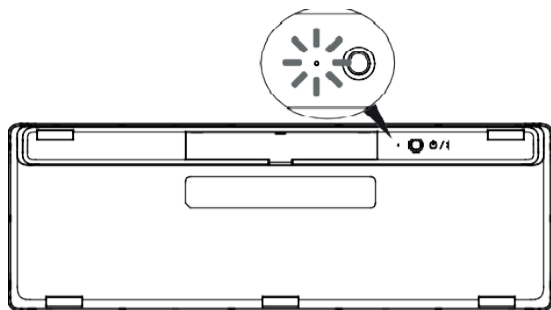


- Pulsante Sinistro
- Rotellina di scorrimento
- Pulsante Destro

Specifiche della tastiera

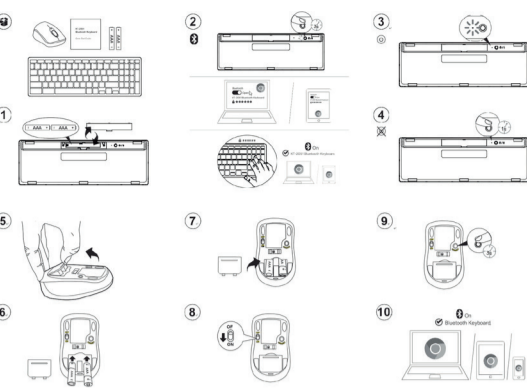
- Modello: AKR123
- Dimensioni (LA x P x A): 345 x 118 x 22,3 mm
- Peso: 310 ± 10 g
- Tipo di connettore: Bluetooth 5.2

Caratteristiche del dispositivo



- Indicatore LED

Configurare la connessione tra ricevitore, mouse e tastiera.



Contenuto della confezione

- 1 mouse Bluetooth
- 1 tastiera Bluetooth
- 4 batterie AAA
- 1 guida rapida
- 1 garanzia

Attenzione

- Non smontare o utilizzare il dispositivo in condizioni anomale.
- Non immergere il dispositivo in acqua.
- Se il dispositivo non funziona o si presentano anomalie termiche, rimuoverlo e inserirlo nelle porte USB.
- Se i problemi persistono dopo avere adottato le azioni correttive consigliate, mettersi in contatto con il rivenditore oppure con il centro assistenza autorizzato.
- Per ulteriori informazioni sugli accessori Acer, visitare il sito web Acer su www.acer.com.

Ambiente

Temperatura:

- Operativa: da 0 °C a 40 °C
- Non-operativa: da -10 °C a 60 °C

Umidità (senza condensa):

- Operativa: da 10% a 90%
- Non-operativa: da 10% a 90%

Indirizzo costruttore

8F, No. 88, Sec. 1, Xintai 5th Rd., Xizhi Dist., New Taipei City 221, Taiwan

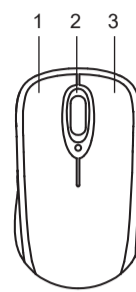
Per la garanzia, visitare www.acer.com.

快速入門指南

滑鼠規格

- 型號：AMR120
- 按鈕數量：3
- 感應器類型：光學
- 尺寸 (長 x 寬 x 高)：100.95 x 58.14 x 39.88 mm
- 重量：86 ± 10 克
- 連接器類型：Bluetooth 5.2
- DPI：1000

裝置功能

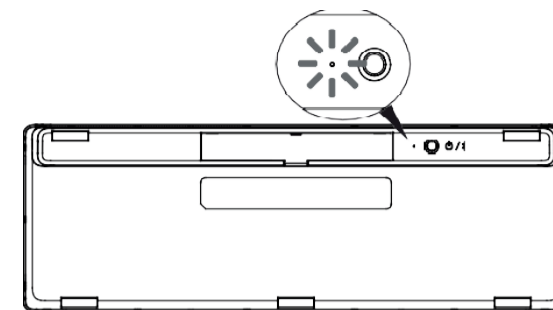


- 左鍵
- 滾輪
- 右鍵

鍵盤規格

- 型號：AKR123
- 尺寸 (長 x 寬 x 高)：345 x 118 x 22.3 mm
- 重量：310 ± 10 克
- 連接器類型：Bluetooth 5.2

裝置功能



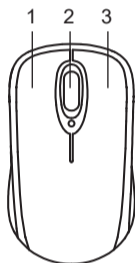
- LED 指示燈

Guía de inicio rápido

Especificaciones del ratón

- Modelo: AMR120
- Botones: 3
- Tipo de sensor: óptico
- Dimensiones (LA x AN x AL): 100,95 x 58,14 x 39,88 mm
- Peso: 86 ± 10 g
- Tipo de conector: Bluetooth 5.2
- DPI: 1000

Características del dispositivo

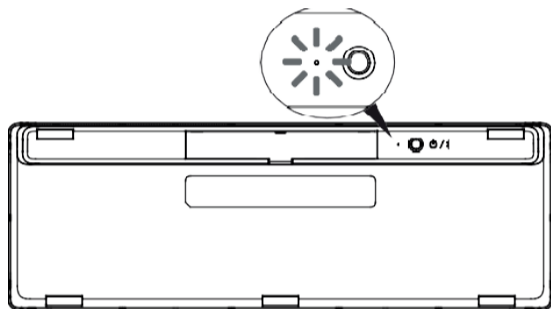


- Botón izquierdo
- Rueda de desplazamiento
- Botón derecho

Especificaciones del teclado

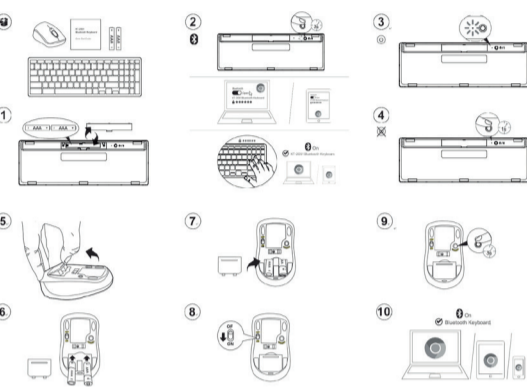
- Modelo: AKR123
- Dimensiones (C x L x A): 345 x 118 x 22,3 mm
- Peso: 310 ± 10 g
- Tipo de conector: Bluetooth 5.2

Características del dispositivo



- Indicador LED

Configure la conexión entre el receptor, el ratón y el teclado.



Contenido de la caja

- 1 ratón Bluetooth
- 1 teclado Bluetooth
- 4 pilas AAA
- 1 guía de inicio rápido
- 1 folleto de garantía

Precaución

- No desmonte el dispositivo ni lo ponga en funcionamiento en condiciones anómalas.
- No sumerja el dispositivo en agua.
- Si el dispositivo no pudo ponerse en funcionamiento o se produjo una situación térmica anómala, conecte el dispositivo de nuevo a un puerto USB.
- Si el problema persiste después de aplicar las medidas correctivas, póngase en contacto con su distribuidor o con un centro de servicio técnico autorizado para obtener ayuda.
- Para obtener más información sobre los accesorios Acer, visite el sitio web de Acer www.acer.com.

Características ambientales

Temperatura:

- Encendido: 0 °C a 40 °C
- Apagado: -10 °C a 60 °C

Humedad (sin condensación):

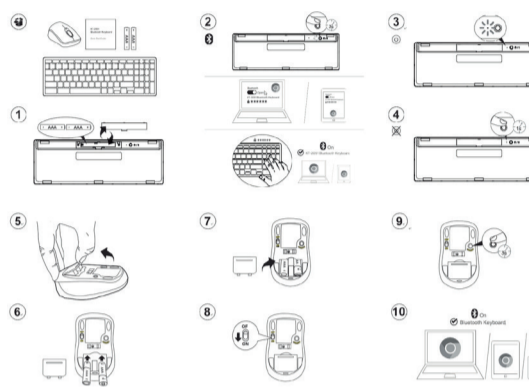
- Encendido: 10 % a 90%
- Apagado: 10 % a 90%

Dirección del fabricante

8F, No. 88, Sec. 1, Xintai 5th Rd., Xizhi Dist., New Taipei City 221, Taiwan

Visite www.acer.com para obtener información sobre la garantía.

設定接收器與滑鼠及鍵盤之間的連線。



包裝內容物

- 藍芽滑鼠 x1
- 藍芽鍵盤 x1
- 4 號 (AAA) 電池 x4
- 快速入門指南 x 1
- 保固手冊 x1

注意

- 請勿拆解裝置或在異常情況下操作裝置。
- 請勿將裝置浸在水中。
- 如果裝置無法運作，或有發熱異常情況，請重新插入至 USB 連接埠。
- 如果您採行修正措施後仍遇到問題，請聯絡您的經銷商或授權服務中心以取得協助。
- 如需有關 Acer 配件的詳細資訊，請造訪 Acer 網站：www.acer.com。

環境

溫度：

- 運作中：0 °C 至 40 °C
- 非運作中：-10 °C 至 60 °C

溼度 (未凝結)：

- 運作中：10% 至 90%
- 非運作中：10% 至 90%

製造商地址

台灣 221 新北市汐止區新台五路一段 88 號 8 樓

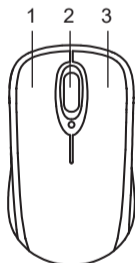
如需相關保固資訊，請造訪 www.acer.com。

Guia de início rápido

Especificações do Rato

- Modelo: AMR120
- Botões: 3
- Tipo de sensor: Ótico
- Dimensões (C x L x A): 100,95 x 58,14 x 39,88 mm
- Peso: 86 ± 10 g
- Tipo de conector: Bluetooth 5.2
- DPI: 1000

Funcionalidades do Dispositivo

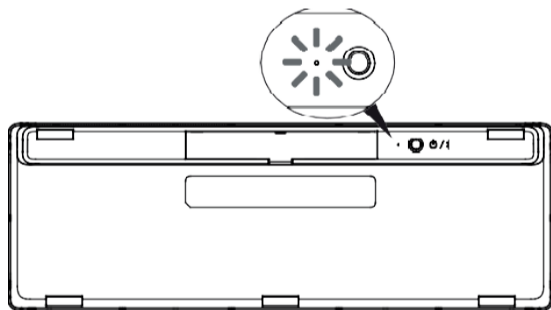


- Botão esquerdo
- Roda de deslocamento
- Botão direito

Especificações do Teclado

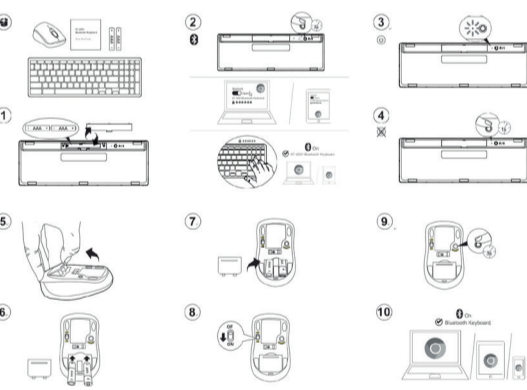
- Modelo: AKR123
- Dimensões (D x L x B): 345 x 118 x 22,3 mm
- Peso: 310 ± 10 g
- Tipo de conector: Bluetooth 5.2

Funcionalidades do Dispositivo



- Indicador LED

Configurar a Ligação entre o Recetor, o Rato e o Teclado.



Conteúdo da Caixa

- 1 rato Bluetooth
- 1 teclado Bluetooth
- 4 pilhas AAA
- 1 guia de início rápido
- 1 livrete de garantia

Cuidado

- Não desmonte o dispositivo nem o utilize em condições anormais.
- Não submerja o dispositivo em água.
- Caso o dispositivo não funcione, ou tenha ocorrido uma situação térmica anormal, desligue-o e volte a ligá-lo às portas USB.
- Se continuar a ter problemas após adotar as medidas corretivas, contacte o seu revendedor ou um centro de assistência autorizado para obter ajuda.
- Para mais informações relativamente a acessórios Acer, visite o website Acer em www.acer.com.

Ambiente

Temperatura:

- Funcionamento: 0 °C a 40 °C
- Não em funcionamento: -10 °C a 60 °C

Humidade (sem condensação):

- Funcionamento: 10% a 90%
- Não em funcionamento: 10% a 90%

Endereço do fabricante

8F, No. 88, Sec. 1, Xintai 5th Rd., Xizhi Dist., New Taipei City 221, Taiwan

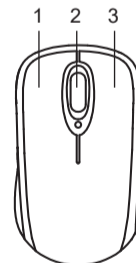
Para garantia, visite www.acer.com.

Hızlı Başlangıç Kılavuzu

Fare Teknik Özellikleri

- Model: AMR120
- Düğmeler: 3
- Sensör Tipi: Optik
- Boyutlar (U x G x Y): 100,95 x 58,14 x 39,88 mm
- Ağırlık: 86 ± 10 g
- Konektör Türü: Bluetooth 5.2
- DPI: 1000

Aygıt Özellikleri

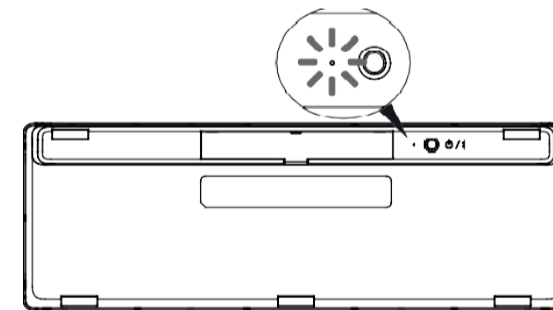


- Sol Düğmesi
- Kaydırma tekerleği
- Sağ düğme

Klavye Teknik Özellikleri

- Model: AKR123
- Boyutlar (U x G x Y): 345 x 118 x 22,3 mm
- Ağırlık: 310 ± 10 g
- Konektör Türü: Bluetooth 5.2

Aygıt Özellikleri



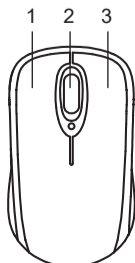
- LED Göstergesi

Краткое руководство

Технические характеристики мыши

- Модель: AMR120
- Кнопки: 3
- Тип датчика: Оптический
- Размеры (Д x Ш x В): 100,95 x 58,14 x 39,88 мм
- Вес: 86 ± 10 г
- Тип разъема: Bluetooth 5.2
- DPI: 1000

Особенности устройства

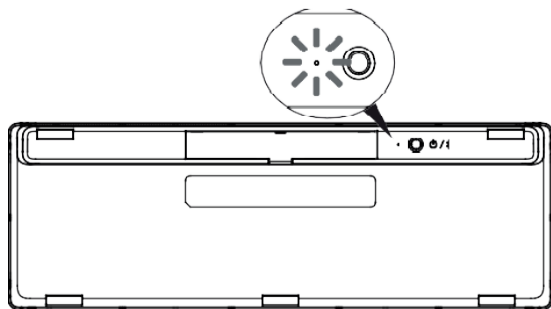


- Левая кнопка
- Колесико прокрутки
- Правая кнопка

Технические характеристики клавиатуры

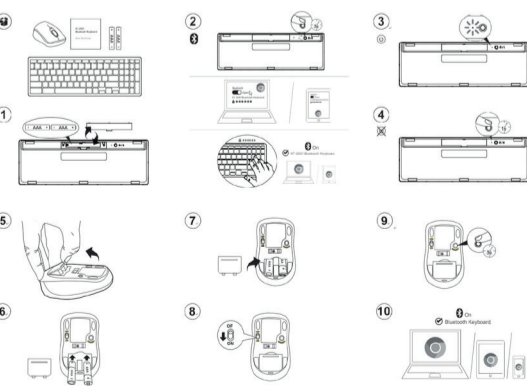
- Модель: AKR123
- Размеры (Д x Ш x В): 345 x 118 x 22,3 мм
- Вес: 310 ± 10 г
- Тип разъема: Bluetooth 5.2

Особенности устройства



- Индикатор

Настройте подключение между приемником и мышью и клавиатурой.



Комплект поставки

- Беспроводная (блютуз) мышь x1
- Беспроводная (блютуз) клавиатура x1
- Батарейка AAA x4
- Краткое руководство x1
- Гарантийный талон x1

Внимание!

- Не разбирайте устройство и не пользуйтесь им при ненормальных условиях.
- Не погружайте устройство в воду.
- В случае неработоспособности устройства или при возникновении ненормального нагрева извлеките и снова вставьте коннектор в разъем USB.
- Если проблемы сохраняются после попытки их устранить, то обратитесь за помощью к продавцу или в авторизованный сервисный центр.
- Дополнительные сведения об аксессуарах Acer см. на веб-сайте Acer www.acer.com.

Условия эксплуатации

Температура:

- При работе: от 0 °C до 40 °C
- При хранении: от -10 °C до 60 °C

Влажность (без образования конденсата):

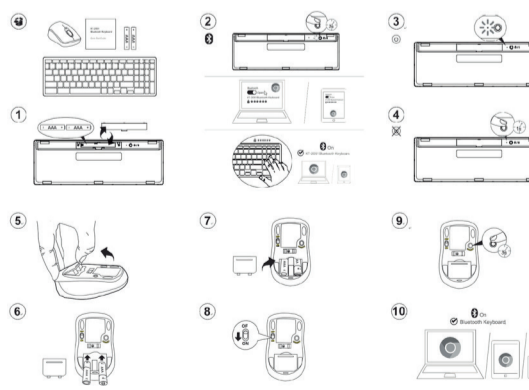
- При работе: от 10% до 90%
- При хранении: от 10% до 90%

Адрес изготовителя

8F, No. 88, Sec. 1, Xintai 5th Rd., Xizhi Dist., New Taipei City 221, Taiwan

Информацию о гарантии см. на сайте www.acer.com.

Алици ile Fare, Klavye arasındaki Bağlantıyı Kurun.



Kutunun İçindekiler

- Bluetooth Fare x1
- Bluetooth Klavye x1
- AAA Pili x4
- Hızlı Başlangıç Kılavuzu x1
- Garanti Kitapçığı x1

İkaz

- Aygıtı sökmeyin veya anormal koşullar altında çalıştırmayın.
- Aygıtı suya daldırmayın.
- Aygıt çalışmıyorsa veya termal anormal bir durum varsa, lütfen USB bağlantı noktalarına yeniden takın.
- Düzeltilici önlemleri uyguladıktan sonra hala sorunlarla karşılaşarsanız, lütfen yardım için satıcınızla veya yetkili servis merkezimize iletişime geçin.
- Acer aksesuarları ile ilgili daha fazla bilgi için lütfen www.acer.com adresindeki Acer web sitesini ziyaret edin.

Çevre

Sıcaklık:

- Çalışma: 0 °C ila 40 °C arasında
- Çalışmadığı durumda: -10 °C ila 60 °C arasında

Nem (yoğunlaşmayan):

- Çalışma: %10 ila %90
- Çalışmadığı durumda: %10 ila %90

Üretici firma adresi

8F, No. 88, Sec. 1, Xintai 5th Rd., Xizhi Dist., New Taipei City 221, Taiwan

Garanti için lütfen www.acer.com adresini ziyaret edin.