

EW3A0000710-T-AO

Citrix® EW3A0000710-T Compatible TAA Compliant 100/1000/10000Base-TX SFP+ Transceiver (Copper, 30m, RJ-45)

Features

- SFF-8432 Compliance
- RJ-45 Connector
- Commercial Temperature -5 to 85 Celsius
- Copper Media Type
- Hot Pluggable
- Excellent ESD Protection
- Metal with Lower EMI
- RoHS Compliant and Lead Free



Applications

- 10GBase Ethernet
- Access and Enterprise

Product Description

This Citrix® EW3A0000710-T compatible SFP+ transceiver provides 100/1000/10000Base-TX throughput up to 30m over a copper connection via a RJ-45 connector. This TX module supports 100/1000/10000Base auto-negotiation and can be configured to fit your needs. It is guaranteed to be 100% compatible with the equivalent Citrix® transceiver. This easy to install, hot swappable transceiver has been programmed, uniquely serialized and data-traffic and application tested to ensure that it will initialize and perform identically. It is built to meet or exceed the specifications of Citrix®, as well as to comply with MSA (Multi-Source Agreement) standards to ensure seamless network integration. This transceiver is Trade Agreements Act (TAA) compliant. We stand behind the quality of our products and proudly offer a limited lifetime warranty.

AddOn's transceivers are RoHS compliant and lead-free.

TAA refers to the Trade Agreements Act (19 U.S.C. & 2501-2581), which is intended to foster fair and open international trade. TAA requires that the U.S. Government may acquire only "U.S. – made or designated country end products."



Regulatory Compliance

- ESD to the Electrical PINs: compatible with MIL-STD-883E Method 3015.4
- ESD to the LC Receptacle: compatible with IEC 61000-4-3
- EMI/EMC compatible with FCC Part 15 Subpart B Rules, EN55022:2010
- Laser Eye Safety compatible with FDA 21CFR, EN60950-1& EN (IEC) 60825-1,2
- RoHS compliant with EU RoHS 2.0 directive 2015/863/EU

Absolute Maximum Ratings

| Parameter | Symbol | Min. | Max. | Unit |
|----------------------------|------------------|-------|------|------|
| Maximum Supply Voltage | V _{cc} | 3.135 | 3.6 | VDC |
| Storage Temperature | T _S | -40 | 85 | °C |
| Operating Case Temperature | T _c | -5 | 85 | °C |
| Operating Humidity | RH | 5 | 95 | % |
| Maximum Bitrate | B _{max} | | 11.4 | Gbps |

Electrical Characteristics (TOP=25°C, V_{cc}=3.3Volts)

| Parameter | Symbol | Min. | Typ. | Max. | Unit | Notes |
|----------------------------------|-----------------|-------|------|----------------------|------|-------|
| Power Supply Voltage | V _{cc} | 3.135 | 3.30 | 3.465 | V | |
| Low Speed Input Voltage | | -0.5 | | V _{cc} +0.3 | V | |
| Two-Wire Interface Input Voltage | | -0.3 | | V _{cc} +0.5 | V | |
| Power (30m @ 25C ambient) | | | 2.3 | 2.5 | W | |

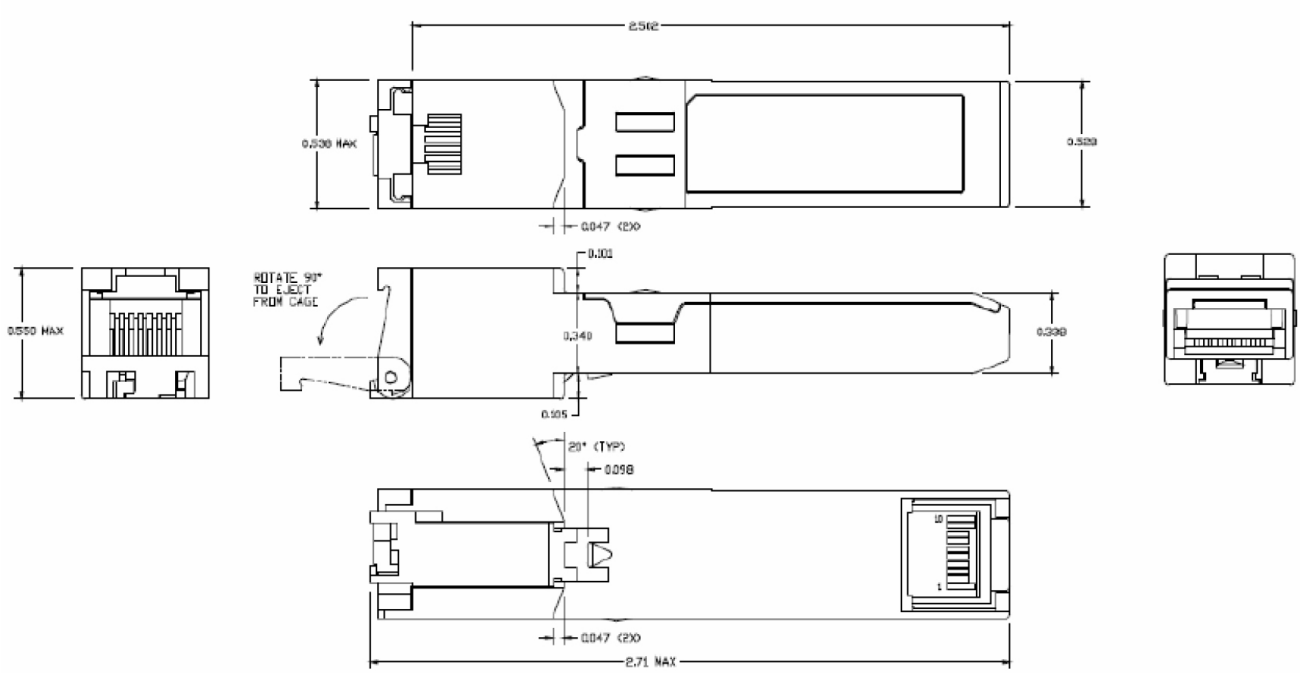
Pin Descriptions

| Pin | Symbol | Name/Descriptions | Ref. |
|-----|------------|--|------|
| 1 | VeeT | Transmitter Ground | 1 |
| 2 | Tx_Fault | Transmitter Fault LVTTTL-O | 2 |
| 3 | Tx_Disable | Transmitter Disable LVTTTL-I | |
| 4 | SDA | 2-wire Serial Interface Data Line LVTTTL-I/O | |
| 5 | SCL | 2-wire Serial Interface Clock LVTTTL-I/O | |
| 6 | Mod_ABS | Module Absent, connect to VeeT or VeeR in the module | |
| 7 | RS0 | Rate Select 0 LVTTTL-I | |
| 8 | Rx_LOS | Receiver Loss of Signal Indication LVTTTL-O | 2 |
| 9 | RS1 | Rate Select 1 LVTTTL-I | |
| 10 | VeeR | Receiver Ground | 1 |
| 11 | VeeR | Receiver Ground | 1 |
| 12 | RD- | Receiver Inverted Data Output CML-O | |
| 13 | RD+ | Receiver Non-Inverted Data Output CML-O | |
| 14 | VeeR | Receiver Ground | 1 |
| 15 | VccR | Receiver 3.3V Supply | |
| 16 | VccT | Transmitter 3.3V Supply | |
| 17 | VeeT | Transmitter Ground | 1 |
| 18 | TD+ | Receiver Inverted Data Output CML-I | |
| 19 | TD- | Transmitter Inverted Data Input CML-I | |
| 20 | VeeT | Module Transmitter Ground | 1 |

Notes:

1. The module signal grounds should be isolated from the module case.

Mechanical Specifications



About AddOn Networks

In 1999, AddOn Networks entered the market with a single product. Our founders fulfilled a severe shortage for compatible, cost-effective optical transceivers that compete at the same performance levels as leading OEM manufacturers. Adhering to the idea of redefining service and product quality not previously had in the fiber optic networking industry, AddOn invested resources in solution design, production, fulfillment, and global support.

Combining one of the most extensive and stringent testing processes in the industry, an exceptional free tech support center, and a consistent roll-out of innovative technologies, AddOn has continually set industry standards of quality and reliability throughout its history.

Reliability is the cornerstone of any optical fiber network and is engrained in AddOn's DNA. It has played a key role in nurturing the long-term relationships developed over the years with customers. AddOn remains committed to exceeding industry standards with certifications from ranging from NEBS Level 3 to ISO 9001:2005 with every new development while maintaining the signature reliability of its products.

U.S. Headquarters

Email: sales@addonnetworks.com

Telephone: +1 877.292.1701

Fax: 949.266.9273

Europe Headquarters

Email: salesupportemea@addonnetworks.com

Telephone: +44 1285 842070