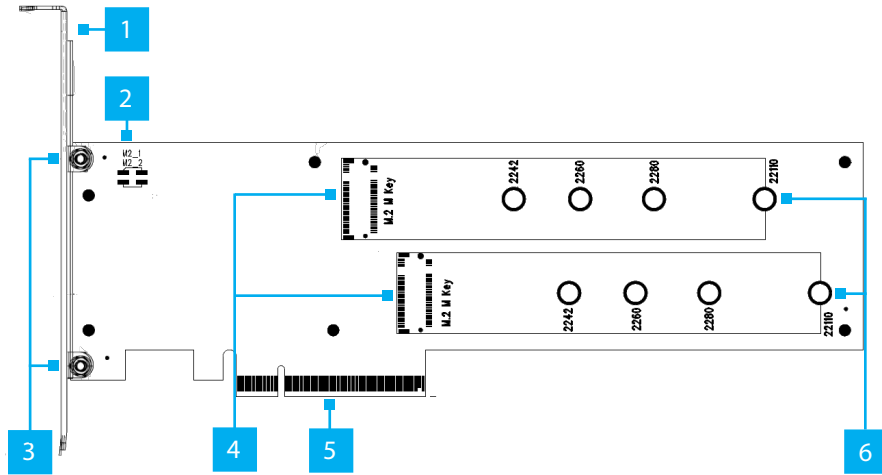


PCI Express x8 to Dual M.2 PCIe SSD Adapter with Bifurcation

Product ID

DUAL-M2-PCIE-CARD-B



Component	Function
1 Full Profile Bracket	<ul style="list-style-type: none"> Secure the PCIe to M.2 Adapter Card to the Computer Case
2 LED Jumper Pins	<ul style="list-style-type: none"> Connect LED Lights to the PCIe to M.2 Adapter Card to show Drive activity LED Lights not included
3 Bracket Screws	<ul style="list-style-type: none"> Secure the Full/Low Profile Bracket to the PCIe to M.2 Adapter Card
4 M.2 Connectors	<ul style="list-style-type: none"> Connect M Keyed M.2 Storage Devices to the PCIe to M.2 Adapter Card
5 PCIe x8 Connector	<ul style="list-style-type: none"> Connect the PCIe to M.2 Adapter Card to the PCIe Slot in a Computer
6 Standoffs (x 2), Standoff Installation Screws (x 2), and Drive Mounting Screws (x 2)	<ul style="list-style-type: none"> Secure M.2 Storage Devices to the PCIe to M.2 Adapter Card Compatible PCIe M.2 SSDs (NVMe and AHCI): 2242, 2260, 2280, and 22110 drives

Product Information

For the latest manuals, product information, technical specifications, and declarations of conformance, please visit: www.StarTech.com/DUAL-M2-PCIE-CARD-B

Package Contents

- PCIe to M.2 Adapter Card x 1
- Low Profile Bracket x 1
- Quick-Start Guide x 1

Requirements

- Computer x 1
 - PCIe x8 or x16 Slot with Bifurcation Support
- Phillips Head Screwdriver x 1
- PCI Express M.2 SSD x 2
- Pliers x 1

Installation

Warning: PCIe Cards can be damaged by static electricity. Ensure that the Installer is properly grounded before they open the Computer Case or touch the PCIe to M.2 Adapter Card. The Installer should wear an Anti-Static Strap when installing any computer component. If an Anti-Static Strap is not available, discharge any built-up static electricity by touching a large Grounded Metal Surface for several seconds. Only handle the PCIe to M.2 Adapter Card by its edges and do not touch the gold connectors.

Note: Consult the documentation that came with the Computer/Motherboard for details regarding how to enable and configure PCIe Bifurcation.

(Optional) Installing the Low Profile Bracket

NOTE: By default the Full Profile Bracket is attached to the PCIe to M.2 Adapter Card. Depending on your system configuration you may need to remove the Full Profile Bracket and replace it with the Low Profile Bracket (included).

1. Using a Small Phillips Head Screwdriver, remove the two Bracket Screws securing the Full Profile Bracket to the M.2 Adapter Card. Set the Bracket Screws aside as they will be used to attach the Low Profile Bracket.
2. Align the Screw Holes on the M.2 Adapter Card with the Screw Holes on the Low Profile Bracket ensuring the M.2 Adapter Card is sitting on-top of the Screw Holes on the Low Profile Bracket.
3. Insert the Bracket Screws through the M.2 Adapter Card and into the Screw Holes on the Low Profile Bracket.
4. Using the Small Phillips Head Screwdriver, tighten the Bracket Screws, being careful not to over-tighten them.

Install the M.2 Storage Drives

1. Place the **Drive** next to the **Adapter** and note the **Drive Installation Holes** that match the length of the **Drive**. If the **Standoffs** and **Installation Screws** are already installed in the correct position, proceed to step 5.
2. On the front of the **M.2 Adapter Card**, use **Pliers** to hold the **Standoff** in place while using a **Phillips Head Screwdriver** to remove the **Screw**, located on the back of the **Adapter**.
3. Use the **Phillips Head Screwdriver** to remove the **Screw** on the front of the **M.2 Adapter Card**.
4. Remove the **Standoff**.
5. Repeat steps 2 - 3 to remove the remaining **Standoffs** and **Standoff Installation Screws** as needed.
6. Install the **Standoff** in the **Drive Installation Hole** that matches the length of the **Drive**.
7. Gently slide the **M.2 Drive Connector** into the corresponding **M.2 Connector**, located on the **M.2 Adapter Card**, and press the **Drive** down toward the adapter until the **Drive** is properly seated

Note: The **M.2 Connector** on the **Drive** is **M Keyed** so that it only fits **M Keyed M.2 Storage Devices**

8. Replace the **Standoff Installation Screw**, removed in step 2, and tighten using a **Phillips Head Screwdriver**.
9. Insert the **Drive Mounting Screw** through the **Drive Slot** and into the **Standoff** and use the **Phillips Head Screwdriver** to tighten the **Drive Mounting Screw**, securing the **Drive** in place.
10. Repeat Steps 1 - 9 to install the remaining **Drives**.

Regulatory Compliance

FCC - Part 15

This equipment has been tested and found to comply with the limits for a Class B digital device, pursuant to part 15 of the FCC Rules. These limits are designed to provide reasonable protection against harmful interference in a residential installation.

This equipment generates, uses and can radiate radio frequency energy and, if not installed and used in accordance with the instructions, may cause harmful interference to radio communications. However, there is no guarantee that interference will not occur in a particular installation. If this equipment does cause harmful interference to radio or television reception, which can be determined by turning the equipment off and on, the user is encouraged to try to correct the interference by one or more of the following measures:

- Connect the equipment into an outlet on a circuit different from that to which the receiver is connected.
- Consult the dealer or an experienced radio/TV technician for help

This device complies with part 15 of the FCC Rules. Operation is subject to the following two conditions:

(1) This device may not cause harmful interference, and (2) this device must accept any interference received, including interference that may cause undesired operation. Changes or modifications not expressly approved by StarTech.com could void the user's authority to operate the equipment.

Industry Canada Statement

This Class B digital apparatus complies with Canadian ICES-003.

Cet appareil numérique de la classe [B] est conforme à la norme NMB-003 du Canada.

CAN ICES-3 (B)/NMB-3(B)

This device complies with Industry Canada licence-exempt RSS standard(s). Operation is subject to the following two conditions:

(1) This device may not cause interference, and (2) This device must accept any interference, including interference that may cause undesired operation of the device.

Le présent appareil est conforme aux CNR d'Industrie Canada applicables aux appareils radio exempts de licence. L'exploitation est autorisée aux deux conditions suivantes:

(1) l'appareil ne doit pas produire de brouillage, et (2) l'utilisateur de l'appareil doit accepter tout brouillage radioélectrique subi, même si le brouillage est susceptible d'en compromettre le fonctionnement.

Install the Card

1. Turn off the **Computer** and disconnect the **Power Cable** and any **Peripheral Devices** that are connected (e.g. printers, external hard drives, etc.).
2. Remove the **Cover** from the **Computer Case**.
Note: Consult the documentation that came with the **Computer** for details about how to do this safely.
3. Locate an open **PCIe x8 or x16 Slot** and remove the corresponding **Metal Cover Plate** from the rear of the **Computer Case**. In most instances, the **Metal Cover Plate** is attached to the rear of the **Computer Case** with a single **Phillips Head Screw**. Save this **Phillips Head Screw** for the next step.
4. Gently insert the **PCIe to M.2 Adapter Card** into the open **PCIe x8 or x16 Slot** and fasten the **Bracket** to the rear of the **Computer Case**, using the **Phillips Head Screw** from step 4.
5. Replace the **Cover** from the **Computer** that was removed in step 2.
6. Reconnect all of the **Peripheral Devices** that were disconnected in step 1.
7. Reconnect the **Power Cable** to the rear of the **Computer**.

Warranty Information

This product is backed by a two-year warranty.

For further information on product warranty terms and conditions, please refer to www.startech.com/warranty.

Limitation of Liability

In no event shall the liability of StarTech.com Ltd. and StarTech.com USA LLP (or their officers, directors, employees or agents) for any damages (whether direct or indirect, special, punitive, incidental, consequential, or otherwise), loss of profits, loss of business, or any pecuniary loss, arising out of or related to the use of the product exceed the actual price paid for the product. Some states do not allow the exclusion or limitation of incidental or consequential damages. If such laws apply, the limitations or exclusions contained in this statement may not apply to you.

Use of Trademarks, Registered Trademarks, and other Protected Names and Symbols

This manual may make reference to trademarks, registered trademarks, and other protected names and/or symbols of third-party companies not related in any way to StarTech.com. Where they occur these references are for illustrative purposes only and do not represent an endorsement of a product or service by StarTech.com, or an endorsement of the product(s) to which this manual applies by the third-party company in question. StarTech.com hereby acknowledges that all trademarks, registered trademarks, service marks, and other protected names and/or symbols contained in this manual and related documents are the property of their respective holders.

PHILLIPS® is a registered trademark of Phillips Screw Company in the United States or other countries.

StarTech.com Ltd.

45 Artisans Cres
London, Ontario
N5V 5E9
Canada

StarTech.com LLP

4490 South Hamilton
Road
Groveport, Ohio
43125
U.S.A.

StarTech.com Ltd.

Unit B, Pinnacle 15
Gowerton Rd,
Brackmills
Northampton
NN4 7BW
United Kingdom

StarTech.com Ltd.

Siriusdreef 17-27
2132 WT Hoofddorp
The Netherlands

FR: startech.com/fr
DE: startech.com/de
ES: startech.com/es
NL: startech.com/nl
IT: startech.com/it
JP: startech.com/jp