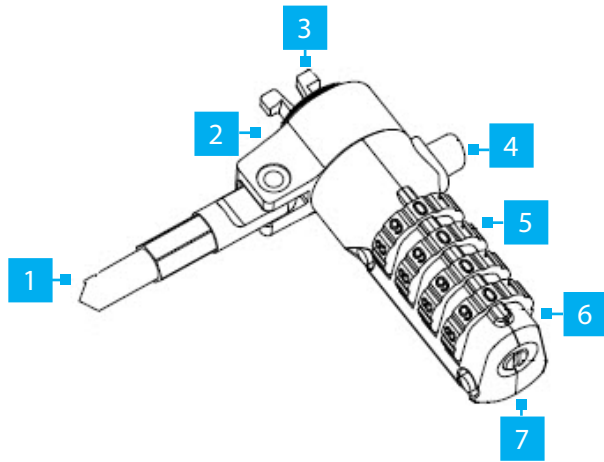


4-Digit Combination Laptop Lock

Product Diagram (LTLOCK4D)



	Components	Function
1	Security Cable	• Used to secure a Device to a secure stationary object.
2	Bumper Spacers	• Prevents the Lock from scratching the connected Device .
3	Locking Hook	• Used to connect the Lock to a Lock Slot .
4	Release Button	• Used to release the Lock from the Lock Slot .
5	Dials	• Used to enter the Lock's combination.
6	Guide Line	• Used to enter a combination on the Dials . • Align the combination digits with the Guide Line .
7	Reset Screw	• Used to set a new combination. Note: Once the combination is changed, if you lose the new combination you will not be able to reset the combination.

Requirements

For the latest requirements, please visit www.startech.com/LTLOCK4D.

- **Default Combination** = 0-0-0-0

Setting a New Combination

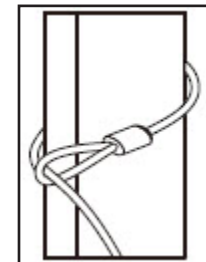
1. Align the numbers on the **Dial** with the **Guide Line** using the default combination 0-0-0-0.
2. Insert a **Flathead Screwdriver** (sold separately) into the **Reset Screw** and push the **Reset Screw** in toward the **Lock**.
3. With the **Reset Screw** pushed in, turn the **Reset Screw** clockwise 90 degrees.
4. Rotate each of the **Dials** to the desired number.
5. Insert the **Flathead Screwdriver** into the **Reset Screw** and turn the **Reset Screw** counter-clockwise 90 degrees moving the **Reset Screw**, back to its original position. The **Reset Screw** will pop back out once it is in the original position.

Note: Be sure to write down the new combination and keep it in a secure location away from the lock.

6. To set a new combination follow steps 1 - 5 using the new combination set up in Step 4 instead of the default combination.

Locking a Device

1. Wrap the **Security Cable** around a secure stationary object and pull the **Lock** through the loop on the **Security Cable**.



Security Cable

2. Press and hold the **Release Button** and insert the **Locking Hooks** into the **Lock Slot** on a **Laptop, Docking Station**, or any other compatible **Device**.

3. Release the **Release Button** to engage the lock and rotate the **Dials**.

Unlocking a Device

1. Enter the new combination that was created in the **Setting a New Combination** section.
2. Press and hold the **Release Button**. The locking mechanism will disengage from the **Lock Slot** on the **Device**.
3. Pull the **Lock** out of the **Lock Slot**.

Use of Trademarks, Registered Trademarks, and other Protected Names and Symbols

This manual may make reference to trademarks, registered trademarks, and other protected names and/or symbols of third-party companies not related in any way to StarTech.com. Where they occur these references are for illustrative purposes only and do not represent an endorsement of a product or service by StarTech.com, or an endorsement of the product(s) to which this manual applies by the third-party company in question. StarTech.com hereby acknowledges that all trademarks, registered trademarks, service marks, and other protected names and/or symbols contained in this manual and related documents are the property of their respective holders.

Warranty Information

This product is backed by a two-year warranty.

For further information on product warranty terms and conditions, please refer to www.startech.com/warranty.

Limitation of Liability

In no event shall the liability of StarTech.com Ltd. and StarTech.com USA LLP (or their officers, directors, employees or agents) for any damages (whether direct or indirect, special, punitive, incidental, consequential, or otherwise), loss of profits, loss of business, or any pecuniary loss, arising out of or related to the use of the product exceed the actual price paid for the product. Some states do not allow the exclusion or limitation of incidental or consequential damages. If such laws apply, the limitations or exclusions contained in this statement may not apply to you.

Safety Measures

- If product has an exposed circuit board, do not touch the product under power.

Mesures de sécurité

- Si l'un des circuits imprimés du produit est visible, ne pas touchez le produit lorsqu'il est sous tension.

安全対策

- 製品に露出した状態の回路基盤が含まれる場合、電源が入っている状態で製品に触らないでください。

Misure di sicurezza

- Se il prodotto ha un circuito stampato visibile, non toccare il prodotto quando è acceso.

Säkerhetsåtgärder

- Rör aldrig vid enheter med oskyddade kretskort när strömmen är påslagen.

StarTech.com Ltd. 45 Artisans Cres London, Ontario N5V 5E9 Canada	StarTech.com LLP 2500 Creekside Parkwy Lockbourne, Ohio 43137 U.S.A.	StarTech.com Ltd. Unit B, Pinnacle 15 Gowerton Rd, Brackmills Northampton NN4 7BW United Kingdom	FR: fr.startech.com DE: de.startech.com ES: es.startech.com NL: nl.startech.com IT: it.startech.com JP: jp.startech.com
--	--	---	--