

### Introduction

This document explains the setup procedure for the mC-Print3.

For further instructions, please refer to the mC-Print3 (2nd Generation) online manual.

Please read the instructions before using the printer.

You can also see FAQ from the QR code on the inside of the printer.

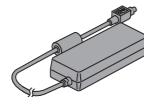
### What's Included

If contents are missing or damaged, please contact the reseller that sold you the printer.

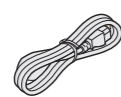
\*accessories vary depending on the region where the printer was purchased.



MCP31CI



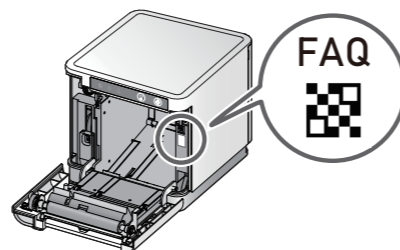
AC Adapter



Power Cable\*

Safety  
InstructionsEasy  
Setup Guide

mC-Print3 online manual

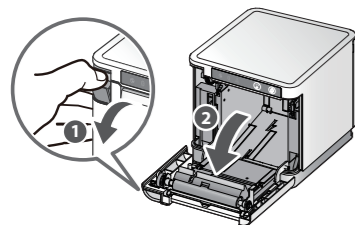


FAQ

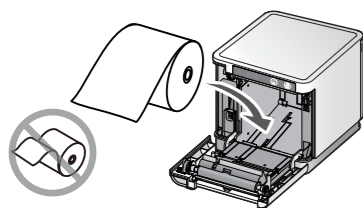


## 1 Installing the paper roll

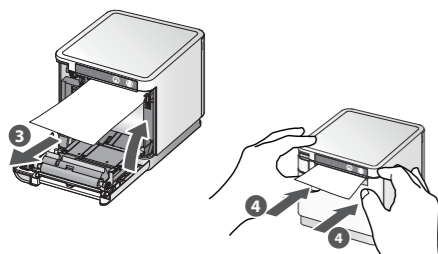
Pull the open lever ❶ and open the printer cover ❷.



Take the slack of the paper roll before paper setting, install the paper roll as shown in the illustration.



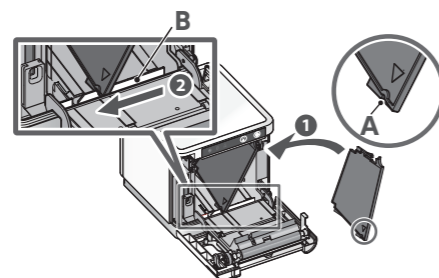
Pull the end of the paper roll out straight ❸, and use both hands to close the printer cover ❹.



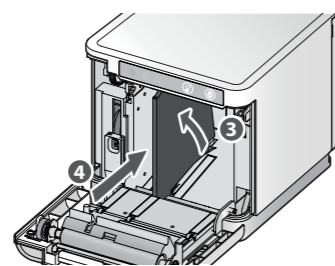
❶ When using a 58mm roll, install the paper roll guide sold separately.

With the notch part A (triangle mark) of the paper roll guide facing down, angle the guide to the right and insert it ❶.

Position so that the notch part A is aligned with the main unit rib B, then slide the guide from the right ❷.



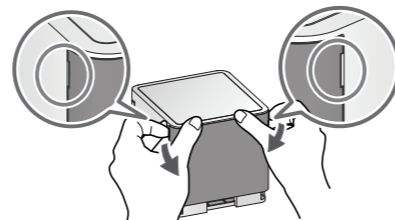
When the slid paper roll guide stops, stand it up vertical ❸, and press until it clicks into place ❹.



To change the paper width, it is necessary to change the memory switch setting. For details, refer to the Online Manual.

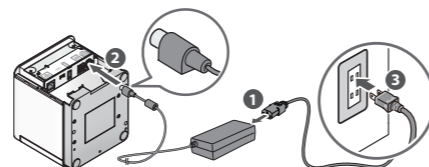
## 2 Turning ON the Main Unit Power

Place your nails into the gaps in the right and left sides of the rear cover on the back of the printer, and then remove the cover.

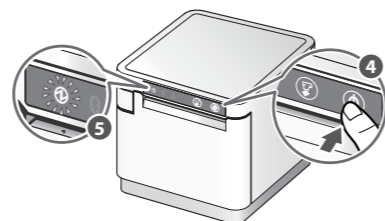


Connect the power cable to the AC adapter ❶, and connect the cable connector to the printer as shown in the illustration ❷.

Insert the plug into the outlet ❸.



Press the power button ❹ and confirm that the LED (blue) illuminates ❺.



## 3 Connecting a Tablet or PC

Prepare and connect an appropriate cable to the connector on the printer according to your device/PC.

When using a commercially available cable, be sure to perform full operation checks before use.

### 1 USB-C® Communication and Recharge

USB cable (Make sure that the connector type is appropriate for your device/PC)

iOS ... C to C\*<sup>1</sup> or C to Lightning\*<sup>2</sup>

Android ... C to C\*<sup>1</sup>

PC ... C to A\*<sup>3</sup> (Communication only) or C to C\*<sup>1</sup>

Plug for the printer:

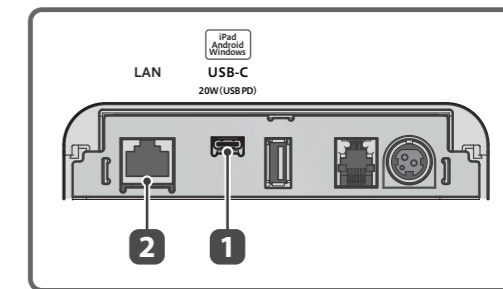
❶ If your PC cannot communicate with the printer using C to C cable, refer to "Switching the USB-C function manually" on the back page of this manual, and then switch the function to "Data only".

### 2 Wired LAN

LAN cable\*<sup>4</sup>

Plug for the printer:

❶ DHCP is enabled by default for the wired LAN settings. To continually use the same IP address, set a static IP address before use. For the static IP address setting procedure, refer to the Online Manual.

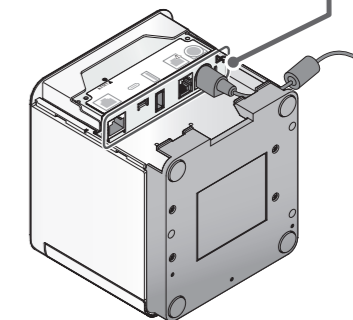


LAN

USB-C  
20W (USB PD)

2

1



- \*1 Cable that conforms to USB2.0 standards, supports current of 3.0A or higher, and has a maximum length of 2 m.  
\*2 Apple genuine cable or MFI certified cable with a maximum length of 2 m.  
\*3 Cable that conforms to USB2.0 standards, has a maximum length of 2 m.  
\*4 Cable that is compatible with category 5 or higher.

## 4 Preparing/setting up the configuration app

Use the configuration app to set up the printer from a tablet or PC.

Scan the QR code on the right side or search the app to access the download site.

Configuration app  
download site



### When using Android/iOS

Star Quick Setup Utility

- ❶ Install [ Star Quick Setup Utility ].
- ❷ Open the configuration utility, and select [ Start Guide (Initial Settings) ] - [ Search Printer ].
- ❸ Follow the instructions of the utility to connect and set up a tablet.

❶ For a wired LAN connection, use the tablet that is connected to the same network as the MCP31CI.

❶ Once a static IP address is assigned, IP address changes through the DHCP server will not occur, so the specified connection destination device can be used continuously once set.

❶ Driver download site for Mac / Linux environment. (<https://www.star-m.jp/supportsite-wsw.html>)

### When using Windows

Star Windows Software

- ❶ Download [ Star Windows Software ].
- ❷ Extract the downloaded software and execute "Setup.exe".
- ❸ Follow the wizard instructions and complete software installation.

❶ The Windows driver is included in the Star Windows Software. The Star Windows Software can be used to configure the printer settings and perform an operation test.

## Switching the USB-C function manually (For using the USB interface)

The USB-C port of the printer automatically identifies your connected device and enables communication.

When using iOS or Android device, power supply and communication with the device are possible at the same time.

If the printer does not perform as expected, switch the USB-C function.

### 《 Procedure 》

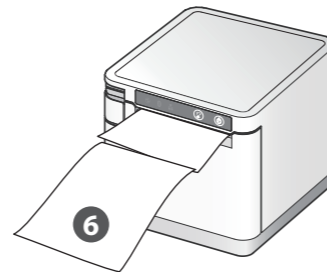
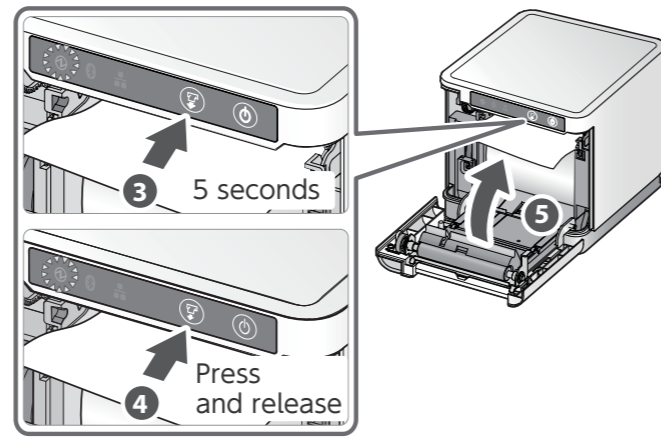
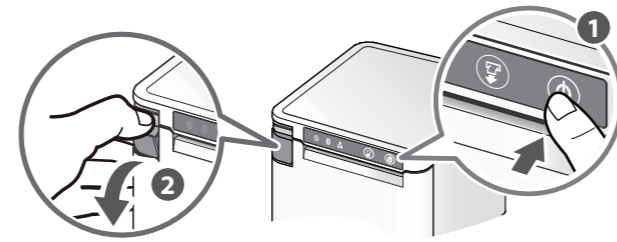
- ❶ Turn on the printer power.
- ❷ Pull the open lever, and then open the printer cover.
- ❸ Press the FEED button for 5 seconds (LED red flashes).
- ❹ Press and release the FEED button to select USB-C function.

You can identify USB-C function from the color of the flashing LED.

LED	USB-C function	Description of test printing
Red flashing	Data only	USB-C: Data Only
Blue flashing	Power supply only	USB-C: Power Supply Only
Purple flashing	Power supply and data (Default)	USB-C: Power Supply / Data

- ❺ Close the printer cover, and then save the selected function in step ❹.
- ❻ Check the status of the saved function on the test printing.

✎ The USB-C function can also be switched by the configuration app.

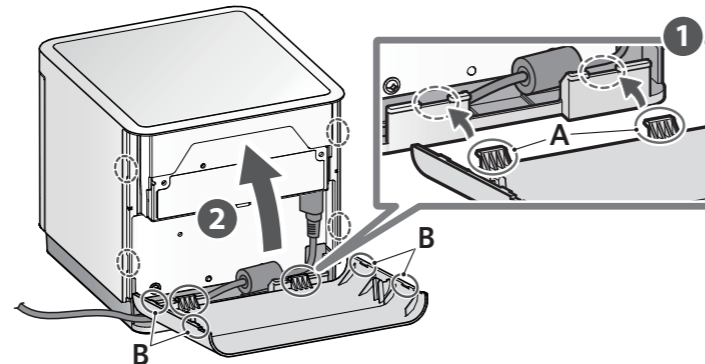


## Installing the rear cover

### 《 Installing the rear cover onto the back of the printer 》

Press the hooks A at the bottom of the rear cover into the notches in the printer main unit ❶.

Then fit the hooks B on the left and right of the rear cover into the printer main unit until they click into place ❷.



## Initializing Network settings

If the communication connection is not successful, follow the procedure below and initialize the communication setting.

After initialization, perform connection again starting from the beginning of Step 3 "Connecting a Tablet or PC - Wired LAN" on the front page.

### 《 Procedure 》

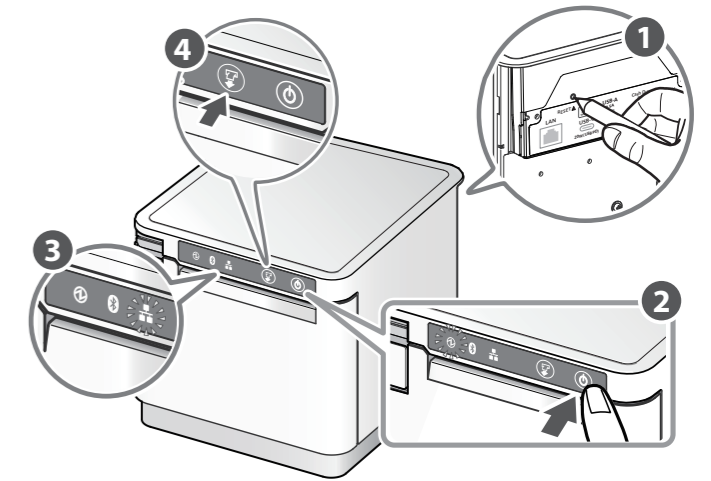
Check that the printer power is OFF.

Insert a pen with a small tip or similar item and press the RESET button on the back ❶.

At the same time, press the power switch on the front of the printer until the POWER LED turns on (power ON) ❷.

Keep pressing RESET switch until the Network LED (green) on the front of the printer flashes ❸.

Press and hold the FEED button ❹ to confirm.



## Sign up for Star Micronics Cloud Services

FREE services are available if you register MCP31CI with Star Micronics Cloud Services.

- ❶ Connect the printer to the internet.  
(See "Wired LAN" in Step 3 "Connecting a Tablet or PC")
- ❷ Scan the QR code from a smartphone or tablet to access the registration site for "Star Micronics Cloud Services".
- ❸ Follow the procedures to register the printer with "Star Micronics Cloud Services" to start using the services.

❶ Please refer to the above [Service site](#) for available countries.

