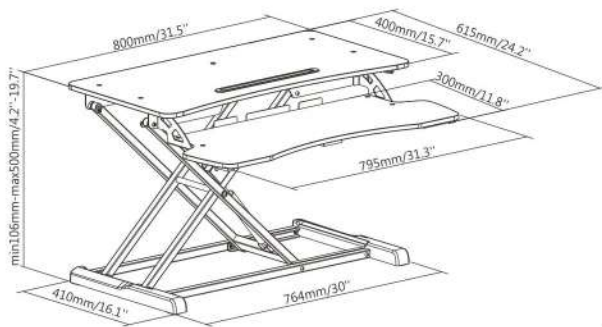




DESK06B

Sit-Stand Desktop Workstations



- Material: Chipboard, Steel, Plastic
- Desktop Thickness: 12mm
- Available Color: Black/White
- Product Size: 800x615x106~500mm
- Max. Load Capacity: 15Kg
- Desktop Pattern: Chipboard
- Desktop Height Adjustment Range: 106~500mm
- Desk Height Adjustment Range: Manual



Black/White



15kg/33lbs