

## FL15-625WH1

### SPECIFICATIONS

#### GENERAL

Min. screen size*	7.9 inch
Max. screen size*	11 inch
Max. weight	1 kg (per screen)
Screens	1

#### FUNCTIONALITY

Type	Tilt Rotate
Tilt (degrees)	+20°, -110°
Rotate (degrees)	360°
Height	123,8 cm
Width	22 cm
Depth	30 cm
Adjustment type	Manual
Lockable	Lockable - Lock included

#### INFORMATION

Color	White
Main material	Steel
Warranty	5 year
EAN code	8717371449803

\*Please note: The inch sizes stated are just an indication, combined with the weight and VESA sizes. The maximum weight and VESA size are absolute restrictions for the products and should not be exceeded.

## NEOMOUNTS BY NEWSTAR TABLET FLOOR



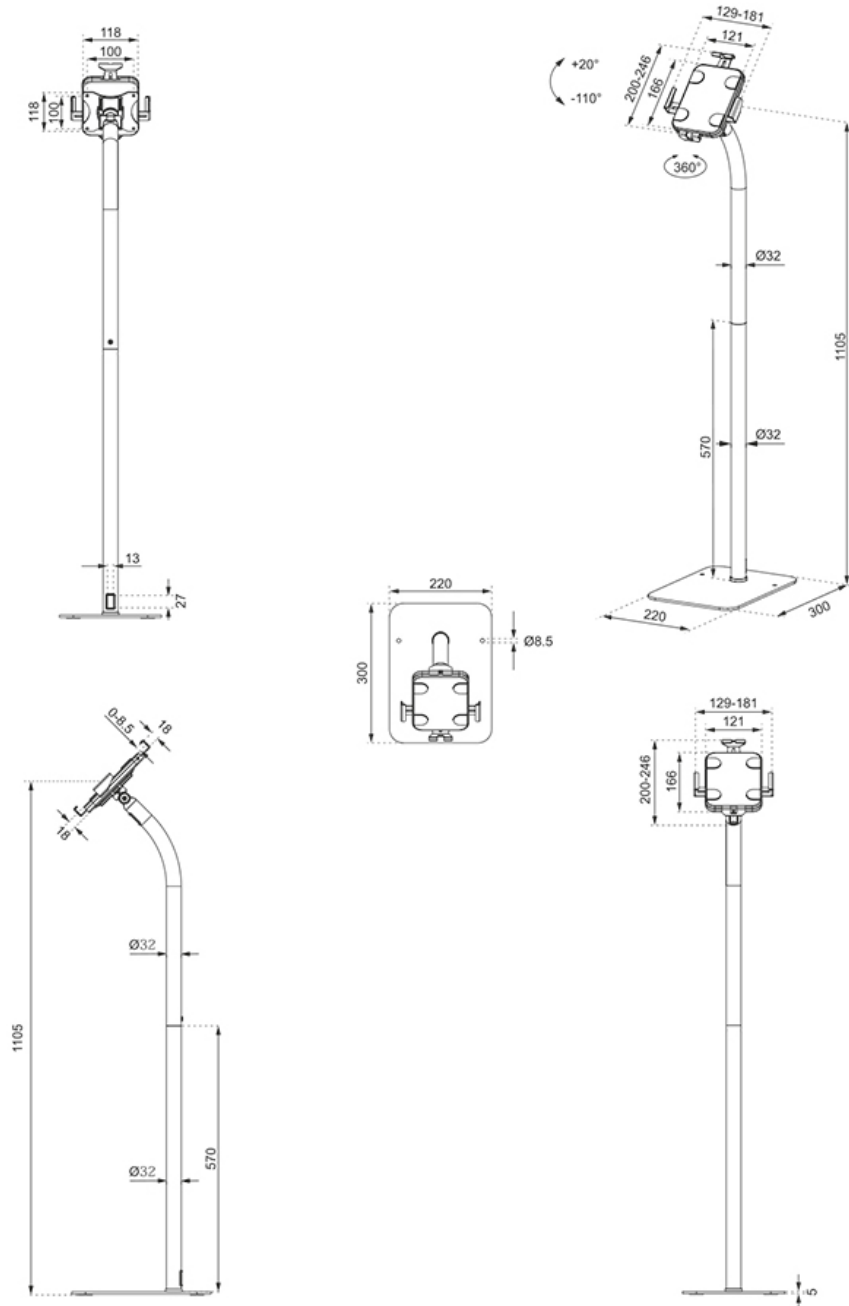
### Neomounts by Newstar FL15-625WH1 tilt- and rotatable tablet floor stand for 7,9-11" tablets - White

The Neomounts by Newstar FL15-625WH1 is a tablet floor stand that can rotate 360° to easily switch between portrait and landscape orientation. Additionally, the tablet holder can be tilted +20°/-110° for comfortable viewing. Using the sliding rail at the back, the tablet can be perfectly aligned in the centre of the holder.

The floor stand features an anti-theft lock and a bolt-down base for extra security. Anti-skid pads protect the tablet from any scratches, while the height and width adjustable clamps ensure safe and solid placement of the device. The upper part has a cutout for the tablet's camera. Cables can be neatly routed via the internal cable management system. The FL15-625WH1 is suitable for tablets with a thickness of 0-8,5 mm.

FL15-625WH1

NEOMOUNTS BY NEWSTAR TABLET FLOOR



Neomounts