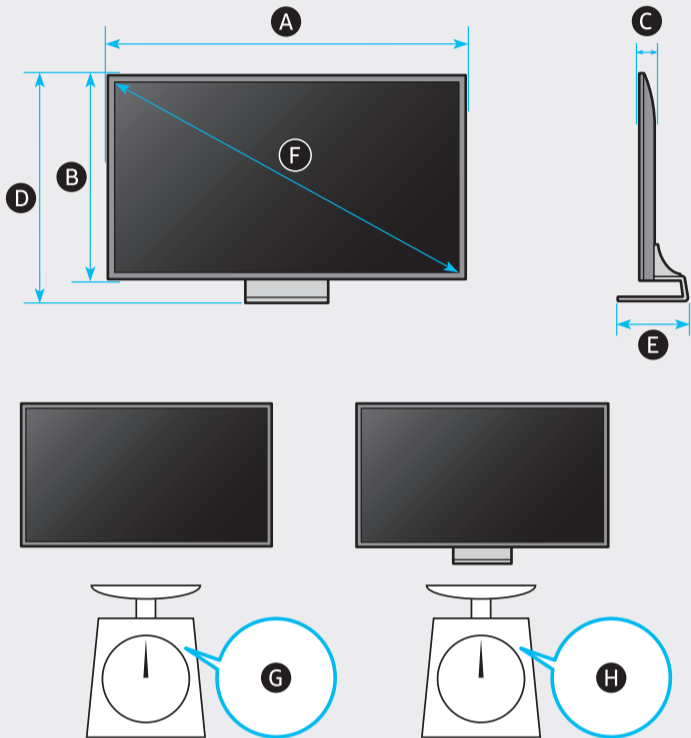
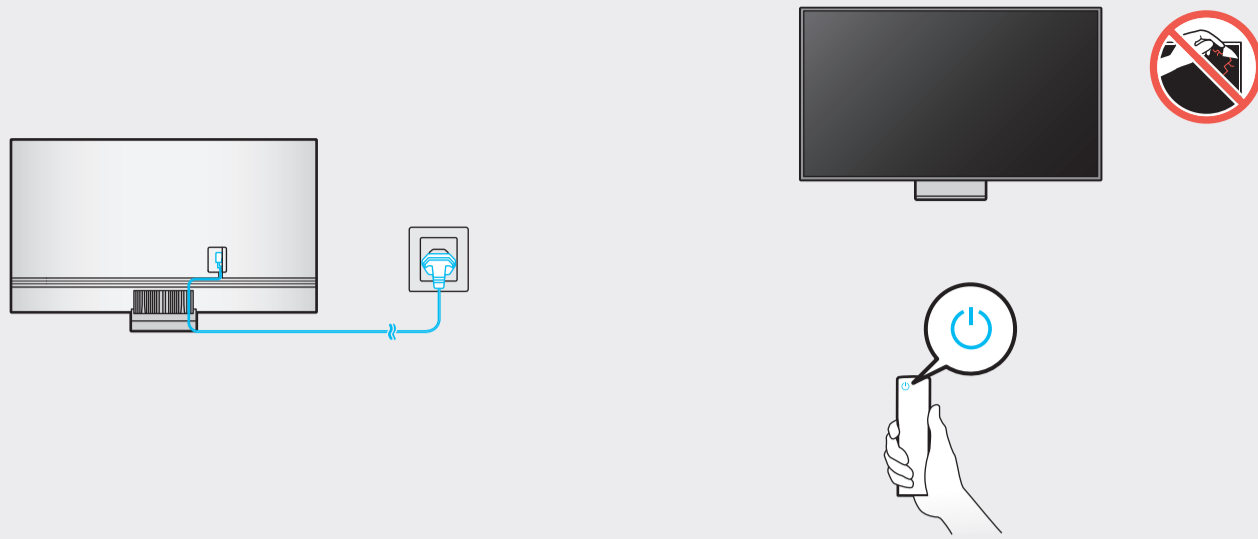
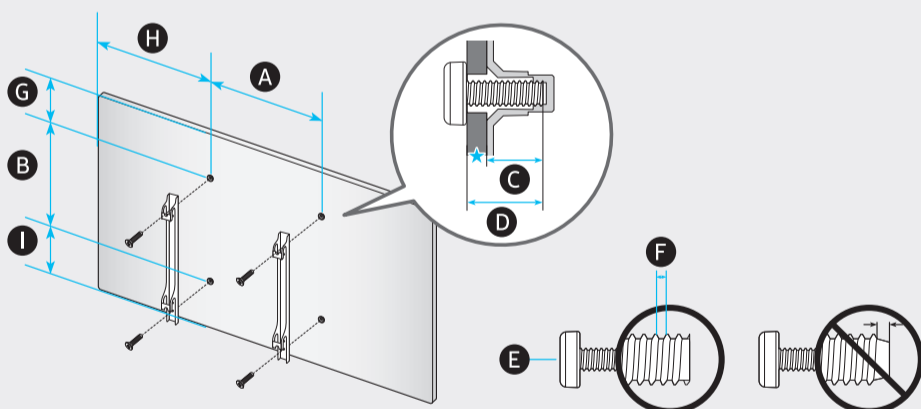


9



	A	B	C	D	E	F	G	H
QN75QN9*B	65.7 inches (1670.0 mm)	37.7 inches (957.4 mm)	1.1 inches (26.7 mm)	40.2 inches (1020.0 mm)	12.5 inches (317.9 mm)	74.5 inches	77.2 lbs (35.0 kg)	98.8 lbs (44.8 kg)
QN85QN9*B	74.5 inches (1892.2 mm)	42.6 inches (1081.9 mm)	1.1 inches (27.2 mm)	45.1 inches (1144.3 mm)	14.4 inches (365.5 mm)	84.5 inches	98.1 lbs (44.5 kg)	125.0 lbs (56.7 kg)

*: 0-9, A-Z



	VESA A x B (mm)	C (mm)	D	E x 4	F (mm)	G (inches)	H (inches)	I (inches)
QN75QN9*B	400 x 400	11-13	C + ★	M8	1.25	9.6	25.0	12.3
QN85QN9*B	600 x 400					8.7	25.4	18.2

*: 0-9, A-Z

★: Wall-Mount Bracket

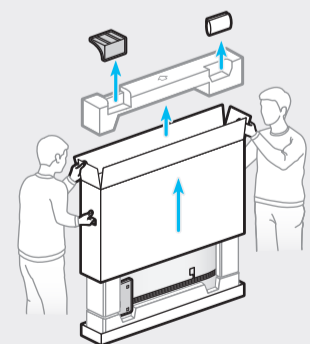
SAMSUNG

Quick Setup Guide (Unpacking and Installation Guide)



Scan this QR code with your smart phone to see helpful videos.

75"



85"

