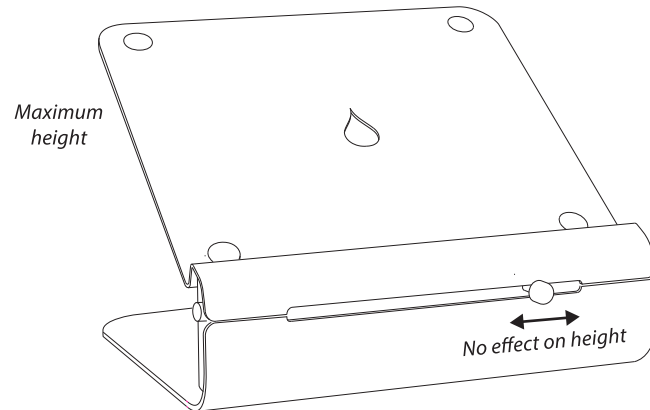
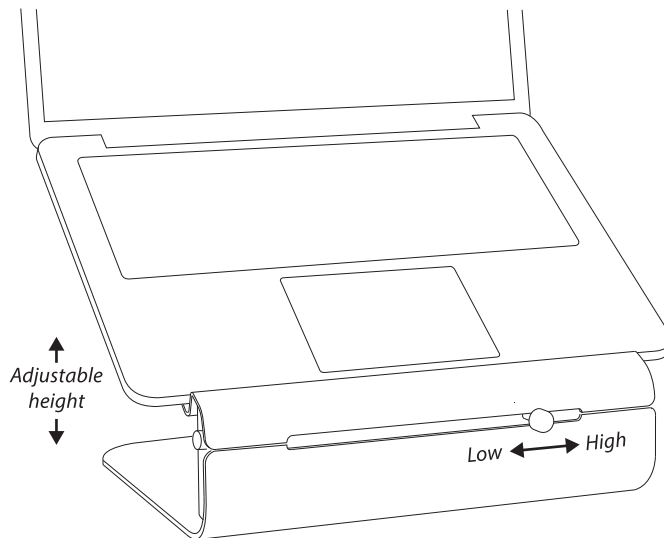


## iLevel Operating Instructions



NOTE: Due to its spring mechanism, iLevel always stay at maximum height when your laptop is not placed on the platform.



To adjust height:

- 1) Place your laptop on iLevel
- 2) Simply slide the knob from left to right to adjust to your preferred height
- 3) Release the knob and you are all set

\* It works best with external keyboard & mouse \*