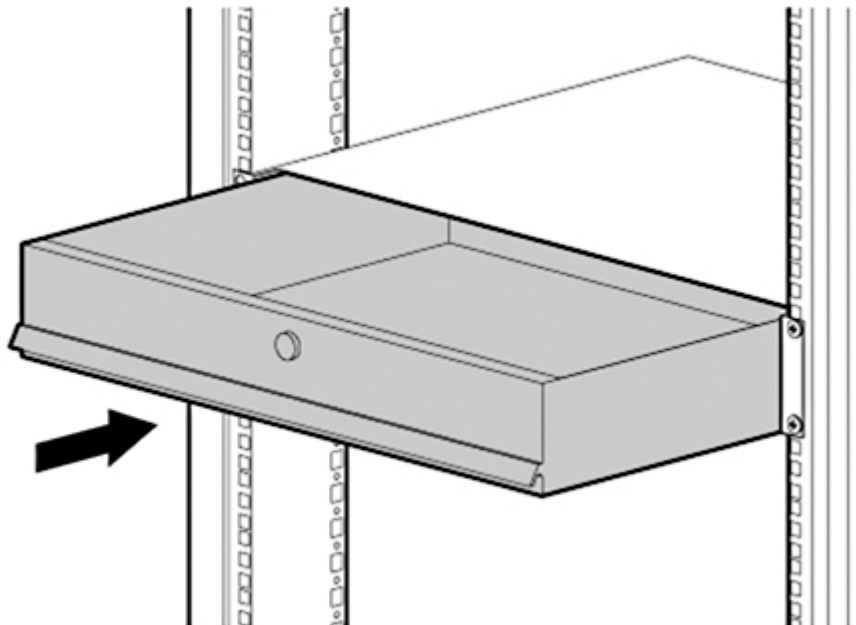


# QuickSpecs

## HP Universal 2U Locking Drawer

### Overview

HP Universal 2U Lockable Drawer is designed to secure items that need storage at the rack to help maintain an organized workplace and to minimize misplacement of items commonly needed at the rack. CD's, manuals, and tools such as screwdrivers can be securely stored in the HP Universal 2U Lockable Drawer.



Universal 2U Locking Drawer - Front View

### Models

Universal 2U Lockable Drawer

361591-B21

### Key Features

- The new HP 2U Lockable Drawer safely secures items such as
  - CD's
  - Tools
  - User Guides
  - Or any other items needed at the rack location
- Lock and keys included
- Universal Rail Kit mounts on HP Rack 5000 and HP Rack 10000 Series as well as 19" third party racks
- Graphite Metallic color
- 1/0/0 Warranty

# QuickSpecs

## HP Universal 2U Locking Drawer

### Technical Specifications

#### Physical Characteristics

<b>Dimensions</b> (HxDxW)	<b>Total Drawer Area</b>	3.47 x 16.81 x 17.12 in (88.2 x 427 x 435 mm)
	<b>Shipping</b>	7.68 x 20.87 x 22.83 in (195 x 530 x 580 mm)
	<b>CTO</b>	Yes (drawer must ship empty)
<b>Load</b>	<b>Static</b>	20 lb (9 kg)
	<b>Dynamic</b>	0
<b>Color</b>	<b>Graphite Metallic</b>	Drawer

**Environment-friendly Products and Approach and Recycling**    **End-of-life Management** Hewlett-Packard offers end-of-life HP product return, trade-in, and recycling programs in many geographic areas. For trade-in information, please go to <http://www.hp.com/go/green>. To recycle your product, please go to: <http://www.hp.com/go/green> or contact your nearest HP sales office. Products returned to HP will be recycled, recovered or disposed of in a responsible manner.

The EU WEEE directive (2002/95/EC) requires manufacturers to provide treatment information for each product type for use by treatment facilities. This information (product disassembly instructions) is posted on the Hewlett Packard web site at: <http://www.hp.com/go/green>. These instructions may be used by recyclers and other WEEE treatment facilities as well as HP OEM customers who integrate and re-sell HP equipment.

© Copyright 2007 Hewlett-Packard Development Company, L.P.

The information contained herein is subject to change without notice.

The only warranties for HP products and services are set forth in the express warranty statements accompanying such products and services. Nothing herein should be construed as constituting an additional warranty. HP shall not be liable for technical or editorial errors or omissions contained herein.