



Analog

Dome

# HCD-6010

2MP Analog Dome Camera



## Key Features

- Full HD (1,920 x 1,080) Resolution
- 0.27Lux@F2.0 (Color), 0.017Lux (B/W)
- Built-in 2.8mm fixed lens
- Day & Night (ICR), WDR (120dB)
- SSNRIV, Motion detection
- Transmission distance max.500m

## Compatible Devices



SBP-300CM



SBP-120WM



SBP-300PM



SBP-300KM



SBP-300WM1



SPB-IND12



SBP-300LM



SBP-390WM2



SPG-IND12B



SBP-300WM



SBP-300B



SBP-300HM7



SBP-300NB

# HCD-6010

2MP Analog Dome Camera



## Specifications

### Video

Imaging Device	Size	1/2.8"
	Type	CMOS
Resolution		1920x1080
Max. Framerate(NTSC/PAL)		30fps/25fps
Min. Illumination	Color(1/30sec, 30IRE)	0.27
	BW(1/30sec, 30IRE)	0.017
Video Out		BNC: AHD/TVI/CVI/CVBS Selectable
Video Transmission Distance		500m(5C2V Coaxial Cable)

### Lens

Focal Length (mm)		2.8
Max Aperture Ratio (F number)	Wide	2.0
Angular Field of View	Horizontal	113.7°
	Vertical	61.5°
	Diagonal	134.5°
Min. Object Distance		0.5m(1.64ft)
Focus Control		Manual

### Pan / Tilt / Rotate

Pan / Tilt / Rotate Range	Pan	0°~350°
	Tilt	0°~67°
	Rotate	0°~355°

### Operational

Day & Night	Auto(ICR)
Backlight Compensation	BLC, HLC, WDR
Wide Dynamic Range (dB)	120
Digital Noise Reduction	SSNRIV
Defog	Support

## Operational

Motion Detection	Quantity	4ea
Privacy Masking	Quantity	8ea
	Shape	Rectangular zones
Gain Control	Low, Middle, High, Very High	
White Balance	ATW, AWC, Manual, Indoor, Outdoor	
Electronic Shutter	Speed Range	1~1/12,000sec
Video Rotation	Flip, Mirror	
Coaxial Protocol	ACP, TCP, CCP, CVBS	

## Analytics

Analytics Events	Normal	Motion detection
------------------	--------	------------------

## Environmental & Electrical

Operating Condition	Temperature	-10°C~+55°C(+14°F~+131°F)
	Humidity	0~90% RH(non-condensing)
Input Voltage	12VDC	
Power Consumption	12VDC	Max 3.6W

## Mechanical

Color	Ivory	
Material	PC(Polycarbonate)	
Product Dimensions	Ø110x86mm(4.33x3.39")	
Product Weight	221g(0.49lb)	

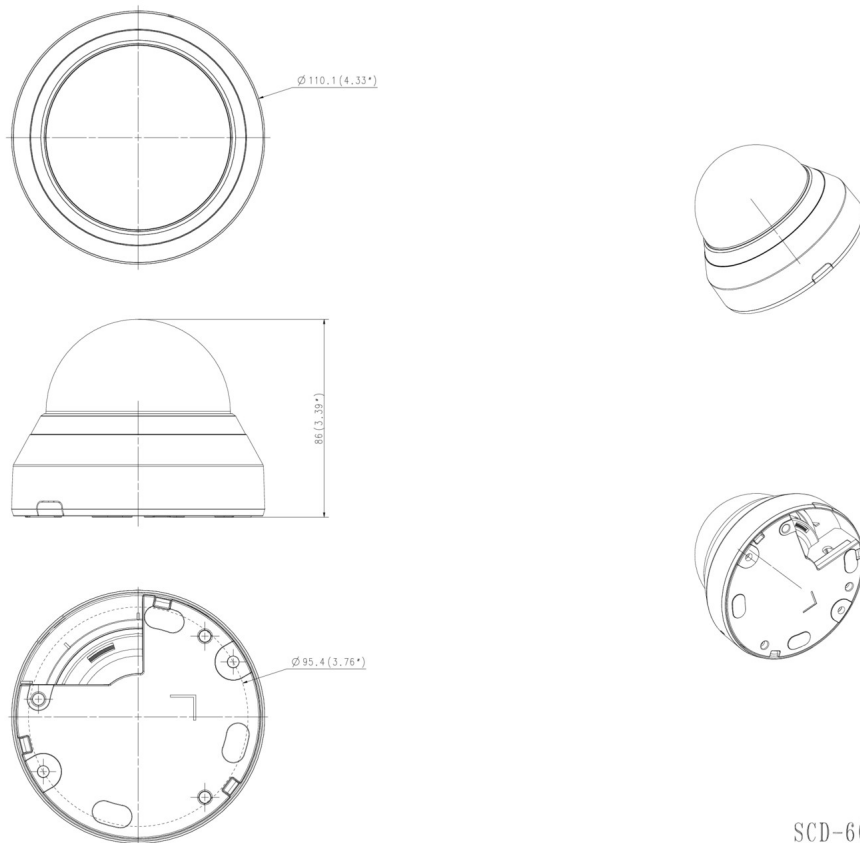
# HCD-6010

2MP Analog Dome Camera



CAD

Unit: mm [inch]



SCD-6023R  
Appearance Drawing  
Unit:mm (inch)