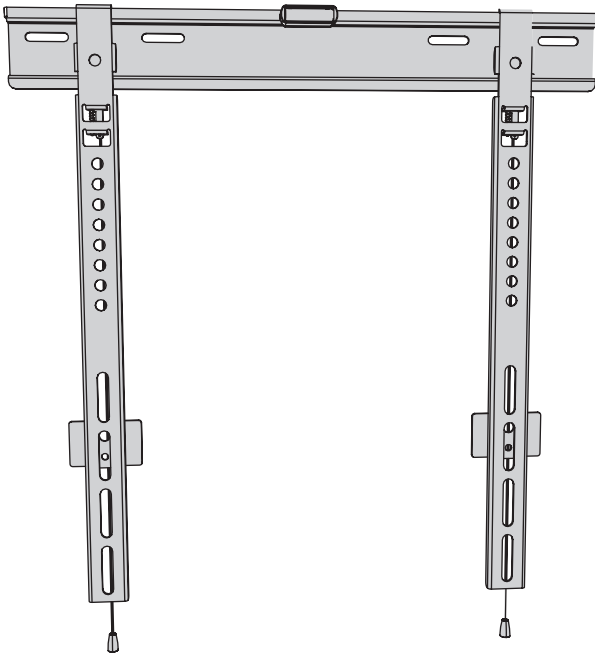




# 32"-55" Fixed TV Wall Mount Bracket



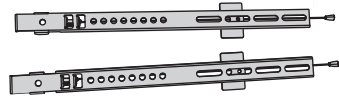
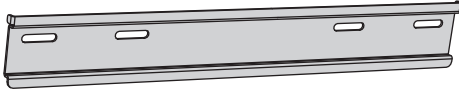
650363

**VESA**  
MAX 400x400

MOST  
**23"-60"**  
TVs

Rated  
**35kg/77lbs**

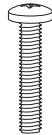
**INSTALLATION MANUAL**



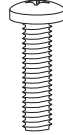
**M-A**  
M5x14mm  
QTYx4



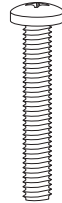
**M-B**  
M6x14mm  
QTYx4



**M-C**  
M6x30mm  
QTYx4



**M-D**  
M8x30mm  
QTYx4



**M-E**  
M8x50mm  
QTYx4



**M-F**  
BRACKET STABILIZER  
QTYx2



**M-G**  
Small spacer  
QTYx8



**M-H**  
Big spacer  
QTYx8



**W-A**  
M6  
QTYx4



**W-B**  
PLASTIC  
ANCHOR M6  
QTYx4



**W-C**  
WASHER  
QTYx4



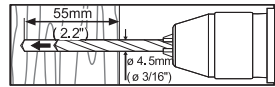
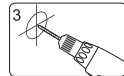
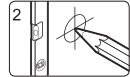
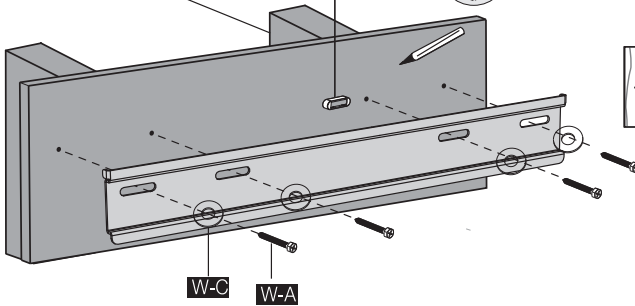
**G2**  
LEVEL  
QTYx1

# 1.1

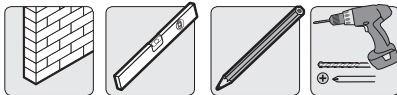


Wood Stud

G2

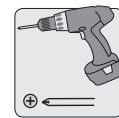
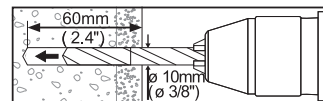
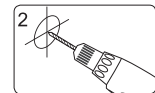
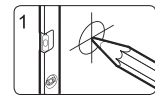
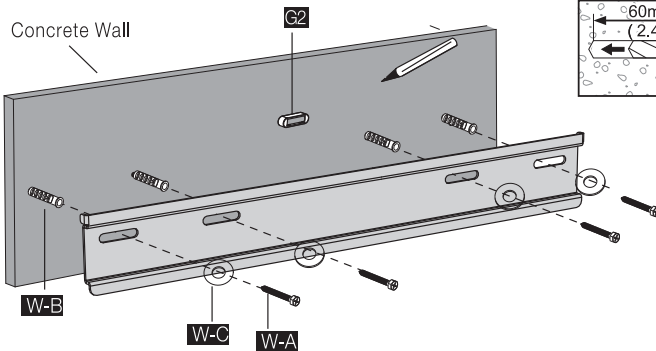


# 1.2

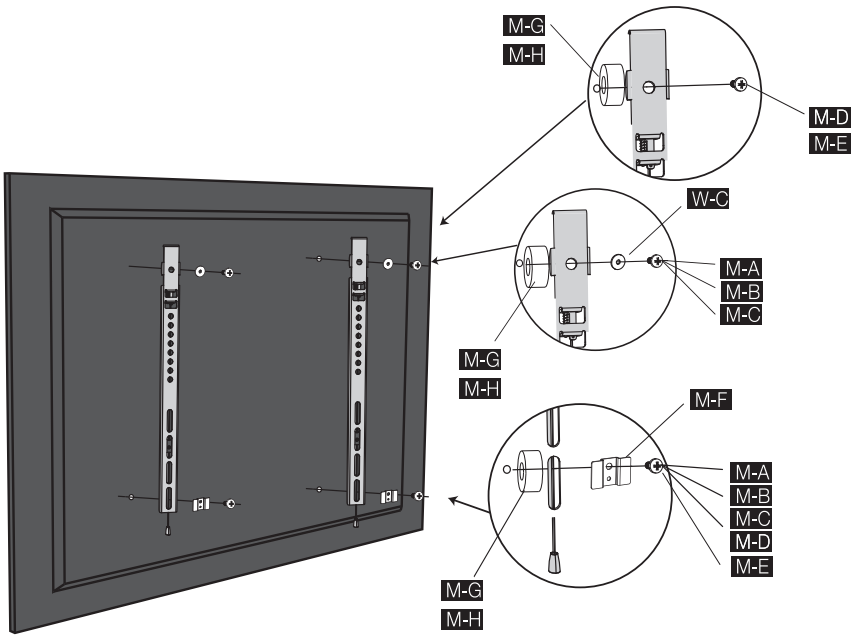


Concrete Wall

G2



2.



3.

