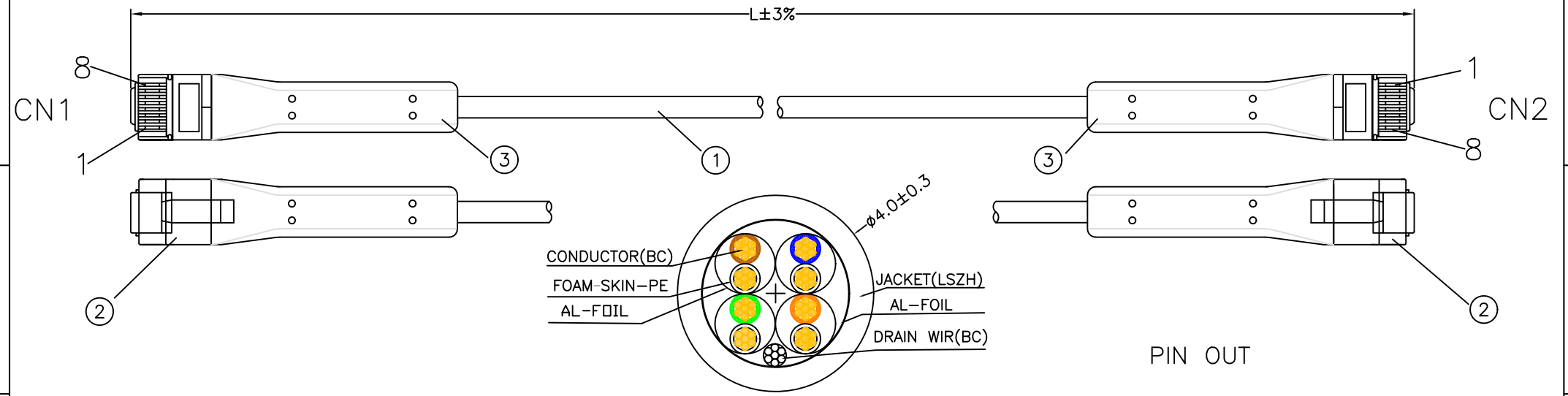
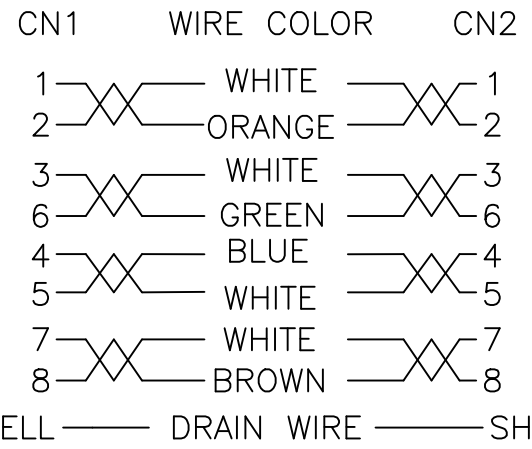


REV.	BARCODE	VID	Approved by CM
01			



PIN OUT



MATERIAL LIST:

NO.	PARTS NAME	SPECIFICATION DESCRIPTION
①	CABLE	F/FTP [32AWG(BC 7/0.08±0.005)*1PR+A]*4+A(BC) +LSZH OD:4.0±0.3mm COLOR:Assorted upon request
②	RJ45 CONNECTOR	RJ45,8P8C,TWO FORK 3u" GOLD PLATED CONTACTS TRANSPARENT WITH METAL HOUSING
③	MOLDING PVC	MOLDING PVC 60P COLOR:Assorted upon request

Marking: ACCORDING TO CUSTOMER'S REQUEST

ELECTRONIC TEST:

A.OPEN/SHORT/INTERMITTENCE: 100%.

TOLERANCE(INCH)		TOLERANCE(MM)		Unit	mm	Projection	≡
x	±0.02"	x	±0.5mm				
x.x	±0.01"	x.x	±0.20mm	Scale	1:1	Size.	A4
x.xx	±0.008"	x.xx	±0.15mm	Sheet	1 of	REV.	A
x.xxx	±0.005"	x.xxx	±0.10mm				

INTELLINET
NETWORK SOLUTIONS

Product Name: F/FTP CAT6A 32AWG LSZH

Product Spec:

Notes:

THESE DRAWINGS AND SPECIFICATIONS ARE THE PROPERTY OF INTRACOM Asia Co.,Ltd.
AND SHALL NOT BE REPRODUCED COPIED OR USED IN ANY MANNER WITHOUT THE PRIOR WRITTEN CONSENT OF INTRACOM Asia Co.,Ltd.