

G100



Installation manual

Barco NV

Beneluxpark 21, 8500 Kortrijk, Belgium
www.barco.com/en/support
www.barco.com

Registered office: Barco NV

President Kennedypark 35, 8500 Kortrijk, Belgium
www.barco.com/en/support
www.barco.com

Copyright ©

All rights reserved. No part of this document may be copied, reproduced or translated. It shall not otherwise be recorded, transmitted or stored in a retrieval system without the prior written consent of Barco.

Changes

Barco provides this manual 'as is' without warranty of any kind, either expressed or implied, including but not limited to the implied warranties or merchantability and fitness for a particular purpose. Barco may make improvements and/or changes to the product(s) and/or the program(s) described in this publication at any time without notice.

This publication could contain technical inaccuracies or typographical errors. Changes are periodically made to the information in this publication; these changes are incorporated in new editions of this publication.

The latest edition of Barco manuals can be downloaded from the Barco web site www.barco.com or from the secured Barco web site <https://www.barco.com/en/signin>.

Trademarks

Brand and product names mentioned in this manual may be trademarks, registered trademarks or copyrights of their respective holders. All brand and product names mentioned in this manual serve as comments or examples and are not to be understood as advertising for the products or their manufacturers.

Guarantee and Compensation

Barco provides a guarantee relating to perfect manufacturing as part of the legally stipulated terms of guarantee. On receipt, the purchaser must immediately inspect all delivered goods for damage incurred during transport, as well as for material and manufacturing faults. Barco must be informed immediately in writing of any complaints.

The period of guarantee begins on the date of transfer of risks, in the case of special systems and software on the date of commissioning, at latest 30 days after the transfer of risks. In the event of justified notice of complaint, Barco can repair the fault or provide a replacement at its own discretion within an appropriate period. If this measure proves to be impossible or unsuccessful, the purchaser can demand a reduction in the purchase price or cancellation of the contract. All other claims, in particular those relating to compensation for direct or indirect damage, and also damage attributed to the operation of software as well as to other services provided by Barco, being a component of the system or independent service, will be deemed invalid provided the damage is not proven to be attributed to the absence of properties guaranteed in writing or due to the intent or gross negligence or part of Barco.

If the purchaser or a third party carries out modifications or repairs on goods delivered by Barco, or if the goods are handled incorrectly, in particular if the systems are operated incorrectly or if, after the transfer of risks, the goods are subject to influences not agreed upon in the contract, all guarantee claims of the purchaser will be rendered invalid. Not included in the guarantee coverage are system failures which are attributed to programs or special electronic circuitry provided by the purchaser, e.g. interfaces. Normal wear as well as normal maintenance are not subject to the guarantee provided by Barco either.

The environmental conditions as well as the servicing and maintenance regulations specified in this manual must be complied with by the customer.

Table of contents

1	Safety	7
1.1	General considerations	8
1.2	Important safety instructions	10
1.3	Product safety labels	14
1.4	Risk Group 3 Safety	15
1.4.1	General considerations	15
1.4.2	High Brightness precautions: Hazard Distance	16
1.4.3	HD for fully enclosed projection systems	18
2	Prepare to install	19
2.1	Installation requirements	20
2.2	Initial inspection	22
2.3	Getting to know the projector	23
2.4	Input/Output (I/O) Panel	26
2.5	Control panel	27
2.6	Overview of the RCU	28
2.7	Adjusting the projector's position	29
2.8	Lens selection	30
2.9	Lenses	31
2.10	Adjusting the image position on the screen	35
2.11	Download Projector Toolset	37
3	Installation procedures	39
3.1	RCU battery installation	40
3.2	Connecting the projector with the power net	41
3.3	Installing the lens	42
3.4	Projector Address (ID)	43
3.5	Using the RCU	44
3.6	Software update	45
4	Rigging frame	49
4.1	Mounting the adapter plate onto the projector	50
4.2	Mounting the projector in the rigging frame	52
4.3	Stacking multiple projectors	55
5	Powering on/off the projector	57
5.1	Powering on the projector	58

5.2	Powering off the projector	59
A	Dimensional drawings.....	61
A.1	Dimensions of the projector	62
A.2	Ceiling mount information	63
	Index	65

Safety

1

1.1	General considerations	8
1.2	Important safety instructions	10
1.3	Product safety labels.....	14
1.4	Risk Group 3 Safety.....	15

About this document

Read this document attentively. It contains important information to prevent personal injury while installing and using the G100 projector. Furthermore, it includes several cautions to prevent damage to the G100 projector. Ensure that you understand and follow all safety guidelines, safety instructions and warnings mentioned in this chapter before installing the G100 projector.

Clarification of the term “G100” used in this document

When referring in this document to the term “G100” means that the content is applicable for following Barco products:

- G100-W16, G100-W19, G100-W22

Model certification name

- G100



Barco provides a guarantee relating to perfect manufacturing as part of the legally stipulated terms of guarantee. Observing the specification mentioned in this chapter is critical for projector performance. Neglecting this can result in loss of warranty.

1.1 General considerations

General safety instructions

- Before operating this equipment please read this manual thoroughly and retain it for future reference.
- Installation and preliminary adjustments should be performed by qualified Barco personnel or by authorized Barco service dealers.
- All warnings on the projector and in the documentation manuals should be adhered to.
- All instructions for operating and use of this equipment must be followed precisely.
- All local installation codes should be adhered to.
- IEC/EN 60825-1: 2014 Laser class 1 RG2 or RG3.
- IEC/EN 62471-5:2015 RG2 or RG3.
- Additional instructions to supervise children, no staring, and not use optical aids.
- Additional instructions to install above the reach of children.
- Notice is given to supervise children and to never allow them to stare into the projector beam at any distance from the projector.
- Notice is given to use caution when using the remote control for starting the projector while in front of the projection lens.
- Notice is given to the user to avoid the use of optical aids such as binoculars or telescopes inside the beam.
- “As with any bright light source, do not stare into the beam, RG2 IEC 62471-5:2015”.
- “WARNING: MOUNT ABOVE THE HEADS OF CHILDREN. The use of a ceiling mount is recommended with this product to place it above the eyes of children.

Notice on safety

This equipment is built in accordance with the requirements of the applicable international safety standards. These safety standards impose important requirements on the use of safety critical components, materials and insulation, in order to protect the user or operator against risk of electric shock and energy hazard and having access to live parts. Safety standards also impose limits to the internal and external temperature rises, radiation levels, mechanical stability and strength, enclosure construction and protection against the risk of fire. Simulated single fault condition testing ensures the safety of the equipment to the user even when the equipment's normal operation fails.

Laser safety precautions for G100 Series

This product is classified as CLASS 1 LASER PRODUCT - RISK GROUP 2 of IEC 60825-1 : 2014 and also complies with 21 CFR 1040.10 and 1040.11 except for conformance as a Risk Group 2 LIP as defined in IEC 62471-5:Ed. 1.0. For more information, see Laser Notice No. 57, dated May 8, 2019.

When installed with G LENS (2.0 - 4.0 : 1) and G LENS (4.0-7.2 : 1) lens (throw ratio greater than 2.0), this projector may become Class 1 Laser Product-Risk Group 3 (RG3) according to IEC 60825-1:2014, IEC 62471-5: 2015, and also make a variance approvals under 21 CFR 1010.4 for RG3 LIP according to Classification and Requirements for Laser Illuminated Projectors (LIPs) (Laser Notice No. 57).

To ensure safety operation, read all laser safety precautions before installing and operating the projector.

- This projector uses extremely high brightness laser. Do not stare into the direct light beam, as the extremely high brightness may cause permanent eye damage. (Risk Group 2 of IEC 62471-5:2015).
- No direct exposure to the beam shall be permitted. (Risk Group 3 of IEC 62471-5:2015).
- This product is not for household use.
- Possibly hazardous optical radiation emitted from this product.
- This projector has a built-in Class 4 laser module. Never attempt to disassemble or modify the laser module.
- Any operation or adjustment not specifically instructed in the User manual creates the risk of hazardous laser radiation exposure.
- Do not stare into beam when the projector is on. When turning on the projector, make sure no one within projection range is looking into the lens.
- Follow the control, adjustment, or operation procedures to avoid damage or injury from exposure of laser radiation.

- The instructions for the assembly, operation, and maintenance include clear warnings concerning precautions to avoid possible exposure to hazardous laser radiation.

Light Intensity Hazard Distance for G100 Series

This projector may become Laser Product-Risk Group 3 (RG3) when installed with lens with throw ratio greater than 2.0. Permanent eye injury is possible when exposed to the high intensity light beam within the hazard distance (HD).

Lens information with resolution WUXGA (0.96”):

		Hazard Distance (HD)	
Projection Lens Throw ratio	Risk Group	G100-W22	G100-W16, G100-W19
0.38 - 2.0	RG2	NA	NA
2.0 - 4.0	RG3	1940 mm	1165 mm
4.0 - 7.2	RG3	4565 mm	4120 mm

Follow the precautions to avoid light intensity hazard.

- NEVER look into the lens! High intensity light beam.
- Permanent eye injury is possible when exposed to the high intensity light beam within the hazard distance.
- Operators shall control access to the light beam within the hazard distance or install the product at a height that will prevent eye exposure within the hazard distance.
- Do not place any reflective objects in the light path of the projector.

1.2 Important safety instructions

To prevent the risk of electrical shock

- This product should be operated from a mono phase AC power source.
- This apparatus must be grounded (earthed) via the supplied 3 conductor AC power cable. If none of the supplied power cables are the correct one, consult your dealer. If you are unable to insert the plug into the outlet, contact your electrician to replace your obsolete outlet. Do not defeat the purpose of the grounding-type plug.
- Do not allow anything to rest on the power cord. Do not locate this product where persons will walk on the cord. To disconnect the cord, pull it out by the plug. Never pull the cord itself.
- Use only the power cord supplied with your device. While appearing to be similar, other power cords have not been safety tested at the factory and may not be used to power the device. For a replacement power cord, contact your dealer.
- Do not operate the projector with a damaged cord. Replace the cord.
- Do not operate the projector if the projector has been dropped or damaged until it has been examined and approved for operation by a qualified service technician. Position the cord so that it will not be tripped over, pulled, or contact hot surfaces.
- If an extension cord is necessary, a cord with a current rating at least equal to that of the projector should be used. A cord rated for less amperage than the projector may overheat.
- Never push objects of any kind into this product through cabinet slots as they may touch dangerous voltage points or short out parts that could result in a risk of fire or electrical shock.
- Do not expose this projector to rain or moisture.
- Do not immerse or expose this projector in water or other liquids.
- Do not spill liquid of any kind on this projector.
- Should any liquid or solid object fall into the cabinet, unplug the set and have it checked by qualified service personnel before resuming operations.
- Do not disassemble this projector, always take it to an authorized trained service person when service or repair work is required.
- Do not use an accessory attachment which is not recommended by the manufacturer.
- Lightning - For added protection for this video product during a lightning storm, or when it is left unattended and unused for long periods of time, unplug it from the wall outlet. This will prevent damage to the device due to lightning and AC power-line surges.

To prevent personal injury

- To prevent injury and physical damage, always read this manual and all labels on the system before connecting to the wall outlet or adjusting the projector.
- To prevent injury, take note of the weight of the projector.
- To prevent injury, ensure that the lens and all covers are correctly installed. See installation procedures.
- Warning: high intensity light beam. NEVER look into the lens ! High luminance could result in damage to the eye.
- Warning: extremely high brightness laser: This projector uses extremely high brightness laser. Never attempt to look directly into the lens or at the laser.
- Before attempting to remove any of the projector's covers, you must turn off the projector and disconnect from the wall outlet.
- When required to switch off the projector, to access parts inside, always disconnect the power cord from the power net.
- The power input at the projector side is considered as the disconnect device. When required to switch off the projector, to access parts inside, always disconnect the power cord at the projector side. In case the power input at the projector side is not accessible (e.g. ceiling mount), the socket outlet supplying the projector shall be installed nearby the projector and be easily accessible, or a readily accessible general disconnect device shall be incorporated in the fixed wiring.
- Do not place this equipment on an unstable cart, stand, or table. The product may fall, causing serious damage to it and possible injury to the user.
- It is hazardous to operate without lens or shield. Lenses, shields or ultra violet screens shall be changed if they have become visibly damaged to such an extent that their effectiveness is impaired. For example by cracks or deep scratches.
- Exposure to UV radiation: Some medications are known to make individuals extra sensitive to UV radiation. The American Conference of Governmental Industrial Hygienists (ACGIH) recommends

occupational UV exposure for an 8-hour day to be less than 0,1 micro-watts per square centimeters of effective UV radiation. An evaluation of the workplace is advised to assure employees are not exposed to cumulative radiation levels exceeding these government guidelines. The exposure of this UV radiation is allowed for only 1 hour per day for maintenance and service persons.

To prevent fire hazard

- Do not place flammable or combustible materials near the projector!
- Barco large screen projection products are designed and manufactured to meet the most stringent safety regulations. This projector radiates heat on its external surfaces and from ventilation ducts during normal operation, which is both normal and safe. Exposing flammable or combustible materials into close proximity of this projector could result in the spontaneous ignition of that material, resulting in a fire. For this reason, it is absolutely necessary to leave an "exclusion zone" around all external surfaces of the projector whereby no flammable or combustible materials are present. The exclusion zone must be not less than 100 cm (39.4") for all DLP projectors. The exclusion zone on the lens side must be at least 5 m. Do not cover the projector or the lens with any material while the projector is in operation. Keep flammable and combustible materials away from the projector at all times. Mount the projector in a well-ventilated area away from sources of ignition and out of direct sun light. Never expose the projector to rain or moisture. In the event of fire, use sand, CO₂ or dry powder fire extinguishers. Never use water on an electrical fire. Always have service performed on this projector by authorized Barco service personnel. Always insist on genuine Barco replacement parts. Never use non-Barco replacement parts as they may degrade the safety of this projector.
- Slots and openings in this equipment are provided for ventilation. To ensure reliable operation of the projector and to protect it from overheating, these openings must not be blocked or covered. The openings should never be blocked by placing the projector too close to walls, or other similar surface. This projector should never be placed near or over a radiator or heat register. This projector should not be placed in a built-in installation or enclosure unless proper ventilation is provided.
- Projection rooms must be well ventilated or cooled in order to avoid build up of heat.
- Let the projector cool down completely before storing. Remove cord from the projector when storing.

To prevent projector damage

- Always remove lens cap before switching on the projector. If the lens cap is not removed, it may melt due to the high energy light emitted through the lens. Melting the lens cap may permanently damage the surface of the projection lens.
- Cleaning the booth area would be monthly minimum. Neglecting this could result in disrupting the air flow inside the projector, causing overheating. Overheating may lead to the projector shutting down during operation.
- The projector must always be installed in a manner which ensures free flow of air into its air inlets and unimpeded evacuation of the hot air from its cooling system.
- If more than one projector is installed in a common projection booth, the exhaust air flow requirements are valid for EACH individual projector system. Note that inadequate air extraction or cooling will result in decreased life expectancy of the projector as a whole as well as causing premature failure of the lasers.
- In order to ensure that correct airflow is maintained, and that the projector complies with Electromagnetic Compatibility (EMC) requirements, it should always be operated with all of its covers in place.
- Slots and openings in the cabinet are provided for ventilation. To ensure reliable operation of the product and to protect it from overheating, these openings must not be blocked or covered. The openings should never be blocked by placing the product on a bed, sofa, rug, or other similar surface. This product should never be placed near or over a radiator or heat register. The device should not be placed in a built-in installation or enclosure unless proper ventilation is provided.
- Ensure that nothing can be spilled on, or dropped inside the projector. If this does happen, switch off and unplug the mains supply immediately. Do not operate the projector again until it has been checked by qualified service personnel.
- Do not block the projector cooling fans or free air movement around the projector.
- Do not use this equipment near water.
- Special care for Laser Beams: Special care should be used when DLP projectors are used in the same room as high power laser equipment. Direct or indirect hitting of a laser beam on to the lens can severely damage the Digital Mirror Devices™ in which case there is a loss of warranty.
- Never place the projector in direct sun light. Sun light on the lens can severely damage the Digital Mirror Devices™ in which case there is a loss of warranty.
- Save the original shipping carton and packing material. They will come in handy if you ever have to ship your equipment. For maximum protection, repack your set as it was originally packed at the factory.

- Unplug this product from the wall outlet before cleaning. Do not use liquid cleaners or aerosol cleaners. Use a damp cloth for cleaning. Never use strong solvents, such as thinner or benzene, or abrasive cleaners, since these will damage the cabinet. Stubborn stains may be removed with a cloth lightly dampened with mild detergent solution.
- To ensure the highest optical performance and resolution, the projection lenses are specially treated with an anti-reflective coating, therefore, avoid touching the lens. To remove dust on the lens, use a soft dry cloth. Do not use a damp cloth, detergent solution, or thinner.
- Rated operating ambient temperature: $t_a = 0\text{ }^{\circ}\text{C}$ (32 °F) to $50\text{ }^{\circ}\text{C}$ (122 °F).
- Rated operating humidity: 10% RH to 85% RH (non-condensing). This projector can be set to any angle within 360° range.
- Allowing proper space around the projector is critical for proper air circulation and cooling of the unit. The dimensions shown here indicate the minimum space required.

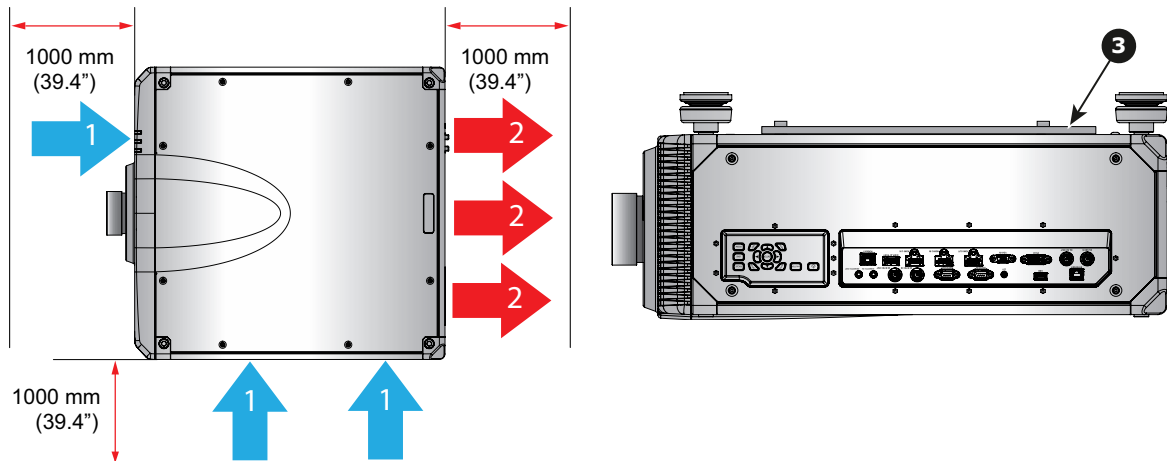


Image 1-1

- 1 Air Inlet.
- 2 Air outlet.
- 3 Ceiling mount plate.

To prevent battery explosion

- Danger of explosion if battery is incorrectly installed.
- Replace only with the same or equivalent type recommended by the manufacturer.
- For disposal of used batteries, always consult federal, state, local and provincial hazardous waste disposal rules and regulations to ensure proper disposal.

On servicing

- Do not attempt to service this product yourself, as opening or removing covers may expose you to dangerous voltage potentials and risk of electric shock.
- Refer all servicing to qualified service personnel.
- Attempts to alter the factory-set internal controls or to change other control settings not specially discussed in this manual can lead to permanent damage to the projector and cancellation of the warranty.
- Remove all power from the projector and refer servicing to qualified service technicians under the following conditions:
 - When the power cord or plug is damaged or frayed.
 - If liquid has been spilled into the equipment.
 - If the product has been exposed to rain or water.
 - If the product does not operate normally when the operating instructions are followed. Adjust only those controls that are covered by the operating instructions since improper adjustment of the other controls may result in damage and will often require extensive work by a qualified technician to restore the product to normal operation.
 - If the product has been dropped or the cabinet has been damaged.
 - If the product exhibits a distinct change in performance, indicating a need for service.
- Replacement parts: When replacement parts are required, be sure the service technician has used original Barco replacement parts or authorized replacement parts which have the same characteristics as the Barco original part. Unauthorized substitutions may result in degraded performance and reliability, fire, electric shock or other hazards. Unauthorized substitutions may void warranty.

- Safety check: Upon completion of any service or repairs to this projector, ask the service technician to perform safety checks to determine that the product is in proper operating condition.

Safety Data Sheets for Hazardous Chemicals

For safe handling information on chemical products, consult the Safety Data Sheet (SDS). SDSs are available upon request via safetydatasheets@barco.com.

1.3 Product safety labels

Light beam related safety labels for G100 Series

Label image	Label description
	<p>“WARNING: MOUNT ABOVE THE HEADS OF CHILDREN.” Additional warning against eye exposure for close exposures less than 1 m.</p>
	<p>FDA Variance Number (USA only). This product complies with performance standards for laser products under 21 CFR Part 1040 except with respect to those characteristics authorized by Variance Number [see applied label] effective [see applied label]</p>
	<p>This product is classified as Class 1 Laser Product-Risk Group 2 of IEC 60825-1:2014 and also complies with 21 CFR 1040.10 and 1040.11 as a Risk Group 2, LIP (Laser Illuminated Projector) as defined in IEC 62471-5:Ed.1.0. For more information, see Laser Notice No. 57, dated May 8, 2019.</p>
	<p>This projector may become Risk Group 3 product when an interchangeable lens with throw ratio greater than 2.0 (G lens - Ultra Long Zoom) is installed. Refer to the manual for the lens list and hazard distance before operation. Such combinations of projector and lens are intended for professional use only, and are not intended for consumer use. Not for household use.</p>

1.4 Risk Group 3 Safety

1.4.1 General considerations

Notice on optical radiation from G100 Projector when it becomes Risk Group 3.

- For RG3, no direct exposure to the beam shall be permitted.
For RG3, operators shall control access to the beam within the hazard distance or install the product at a height that will prevent eye exposure within the hazard distance.
- This projector has one or several built-in Class 4 laser clusters. Disassembly or modification is very dangerous and should never be attempted.
- Any operation or adjustment not specifically instructed by the user's guide creates the risk of hazardous laser radiation exposure.
- Do not open or disassemble the projector as this may cause damage by the exposure of laser radiation.

FOR PROFESSIONAL USE ONLY means installation can only be carried out by Barco AUTHORIZED PERSONNEL familiar with potential hazards associated with high intensity light beams.



WARNING: No direct exposure to the beam within the hazard distance shall be permitted, RG3 (Risk Group 3) IEC EN 62471-5:2015



CAUTION: Use of controls or adjustments or performance of procedures other than those specified herein may result in hazardous radiation exposure.

PPE (Personal Protective Equipment) description.

A skilled person or service person shall be worn protective clothes and goggles when access to restricted area.

Possible skin or eye damage.

Disconnect power before servicing.

1.4.2 High Brightness precautions: Hazard Distance



HD

Hazard Distance (HD) is the distance measured from the projection lens at which the intensity or the energy per surface unit becomes lower than the applicable exposure limit on the cornea or on the skin. The light beam is considered (to be) unsafe for exposure if the distance from a person to the light source is less than the HD.

Restriction Zone (RZ) based on the HD

The HD depends on the amount of lumens produced by the projector and the type of lens installed. See chapter “High Brightness precautions: Hazard Distance”, page 16.

To protect untrained end users (as cinema visitors, spectators) the installation shall comply with the following installation requirements: Operators shall control access to the beam within the hazard distance or install the product at the height that will prevent spectators' eyes from being in the hazard distance. Radiation levels in excess of the limits will not be permitted at any point less than 2.0 meter (SH) above any surface upon which persons other than operators, performers, or employees are permitted to stand or less than 1.0 meter (SW) lateral separation from any place where such persons are permitted to be. In environments where unrestrained behavior is reasonably foreseeable, the minimum separation height should be greater than or equal to 3.0 meter to prevent potential exposure, for example by an individual sitting on another individual's shoulders, within the HD.

These values are minimum values and are based on the guidance provided in IEC 62471-5:2015 section 6.6.3.5.

The installer and user must understand the risk and apply protective measures based upon the hazard distance as indicated on the label and in the user information. Installation method, separation height, barriers, detection system or other applicable control measure shall prevent hazardous eye access to the radiation within the hazard distance.

For example, projectors that have a HD greater than 1 m and emit light into an uncontrolled area where persons may be present should be positioned in accordance with “the fixed projector installation” parameters, resulting in a HD that does not extend into the audience area unless the beam is at least 2.0 meter above the floor level. In environments where unrestrained behavior is reasonably foreseeable, the minimum separation height should be greater than or equal to 3.0 meter to prevent potential exposure, for example by an individual sitting on another individual's shoulders, within the HD. Sufficiently large separation height may be achieved by mounting the image projector on the ceiling or through the use of physical barriers.

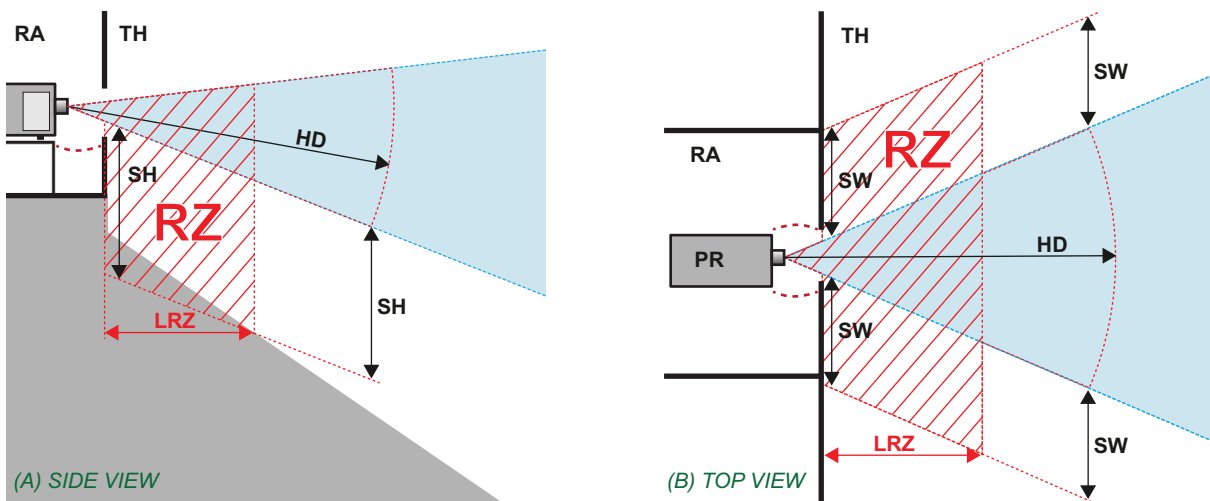


Image 1-2

- A** Side view.
- B** Top view.
- RA** Restricted Access location (boot area of projector).
- PR** Projector.

- TH** Theater.
- RZ** Restriction Zone in the theater.
- SH** Separation Height.
- SW** Separation Width.

Based on national requirements, no person is allowed to enter the projected beam within the zone between the projection lens and the related hazard distance (HD). This shall be physically impossible by creating sufficient separation height or by placing barriers. The minimum separation height takes into account the surface upon which persons other than operator, performers or employees are permitted to stand.

On [Image 1-3](#) a typical setup is displayed. It must be verified if these minimum requirements are met. If required a restricted zone (RZ) in the theater must be established. This can be done by using physical barrier, like a red rope as illustrated in [Image 1-3](#).

The restricted area sticker can be replaced by a sticker with only the symbol.

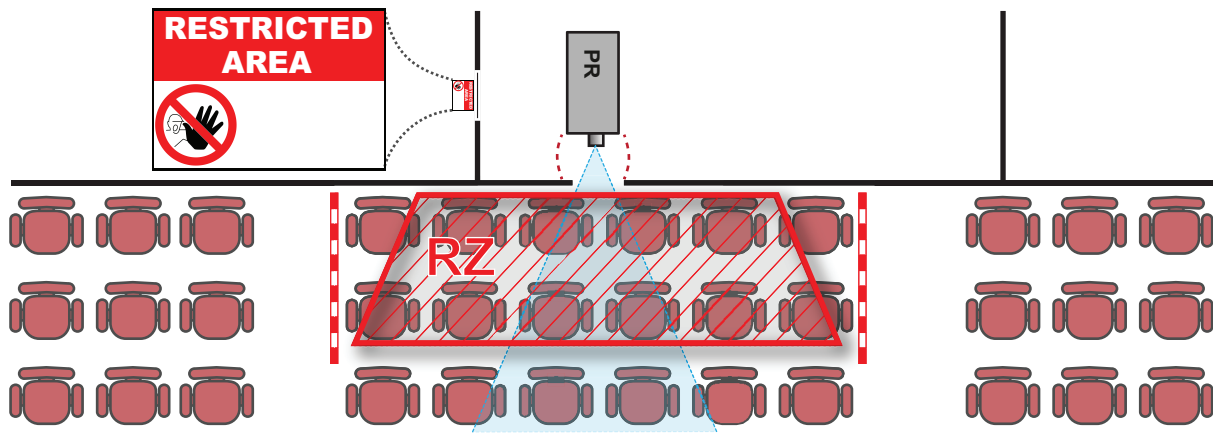


Image 1-3

1.4.3 HD for fully enclosed projection systems



HD

Hazard Distance (HD) is the distance measured from the projection lens at which the intensity or the energy per surface unit becomes lower than the applicable exposure limit on the cornea or on the skin. The light beam is considered (to be) unsafe for exposure if the distance from a person to the light source is less than the HD.

Restriction Zone (RZ) based on the HD

The projector is also suitable for rear projection applications; projecting a beam onto a diffuse coated projection screen. As displayed in [Image 1–4](#) two areas should be considered: the restricted enclosed projection area (RA) and the observation area (TH).

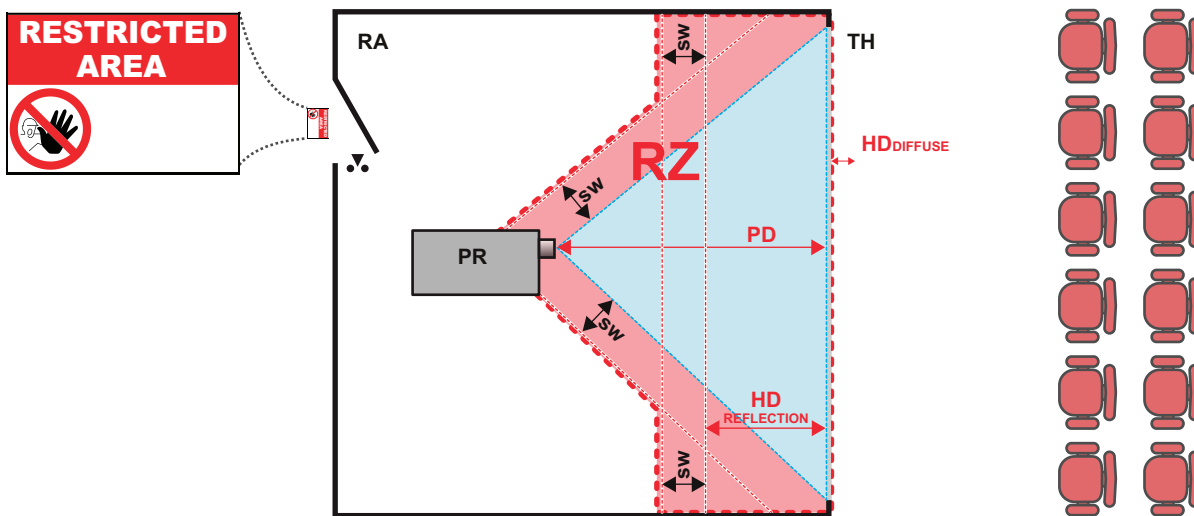


Image 1–4

- | | |
|--|--|
| RA Restricted Access location (enclosed projection area). | RZ Restriction Zone. |
| PR Projector. | PD Projection Distance. |
| TH Theater (observation area). | SW Separation Width. Must be minimum 1 meter. |

For this type of setup 3 different HD shall be considered:

- HD as discussed in [“High Brightness precautions: Hazard Distance”](#), page 16, relevant for intrabeam exposure.
- $HD_{\text{reflection}}$: the distance that has to be kept restrictive related to the reflected light from the rear projection screen.
- HD_{diffuse} : the relevant distance to be considered while observing the diffuse surface of the rear projection screen.

As described in [“High Brightness precautions: Hazard Distance”](#), page 16, it is mandatory to create a restricted zone within the beam areas closer than any HD. In the enclosed projection area the combination of two restricted zones are relevant: The restricted zone of the projected beam toward the screen; taking into account 1 meter Separation Width (SW) from the beam onward. Combined with the restricted zone related to the rear reflection from the screen ($HD_{\text{reflection}}$); also taking into account a 1 meter lateral separation.

The $HD_{\text{reflection}}$ distance equals 25% of the difference between the determined HD distance and the projection distance to the rear projection screen. To determine the HD distance for the used lens and projector model see chapter [“High Brightness precautions: Hazard Distance”](#), page 16.

$$HD_{\text{reflection}} = 25\% (HD - PD)$$

The light emitted from the screen within the observation shall never exceed the RG2 exposure limit, determined at 10 cm. The HD_{diffuse} can be neglected if the measured light at the screen surface is below 5000 cd/m² or 15000 LUX.

Prepare to install

2

2.1	Installation requirements	20
2.2	Initial inspection.....	22
2.3	Getting to know the projector	23
2.4	Input/Output (I/O) Panel	26
2.5	Control panel.....	27
2.6	Overview of the RCU	28
2.7	Adjusting the projector's position.....	29
2.8	Lens selection	30
2.9	Lenses.....	31
2.10	Adjusting the image position on the screen	35
2.11	Download Projector Toolset.....	37

About this chapter

Read this chapter before installing G100 projector. It contains important information concerning installation requirements for the G100 projector, such as minimum and maximum allowed ambient temperature, humidity conditions, required safety area around the installed projector, required power net, etc.

Furthermore, careful consideration of things such as image size, ambient light level, projector placement and type of screen to use are critical to the optimum use of the projection system.



Barco provides a guarantee relating to perfect manufacturing as part of the legally stipulated terms of guarantee. Observing the specification mentioned in this chapter is critical for projector performance. Neglecting this can result in loss of warranty.

2.1 Installation requirements

Environment conditions

Table below summarizes the physical environment in which the G100 projector may be safely operated or stored.

Environment	Operating	Non-Operating
Ambient Temperature	0 °C (41 °F) to 50 °C (122 °F)	-10°C (14°F) to 60°C (140°F)
Humidity	10% to 85% RH Non-Condensed	5% to 90% RH Non-Condensed
Altitude	10000 ft maximum at 0°C to 30°C	



Let the projector acclimatize after unpacking. Neglecting this may result in a startup failure of the Light Processor.

Cooling requirements

The projector is fan cooled and must be installed with sufficient space around the projector head, minimum 100 cm (39.4") to ensure sufficient air flow. It should be used in an area where the ambient temperature, as measured at the projector air inlet, does not exceed +50°C (+122°F).

For 360° installations and multi-projector setups, make sure to have at least 100 cm (39.4") space around the air inlets and outlet of the projector.

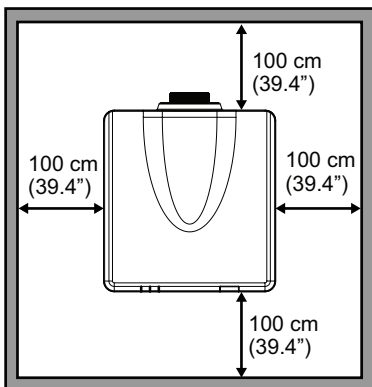


Image 2-1

Clean air environment

The projector must always be mounted in a manner which ensures the free flow of clean air into the projectors ventilation inlets. For installations in environments where the projector is subject to airborne contaminants such as that produced by smoke machines or similar (these deposit a thin layer of greasy residue upon the projectors internal optics and imaging electronic surfaces, degrading performance), then it is highly advisable and desirable to have this contamination removed prior to it reaching the projectors clean air supply. Devices or structures to extract or shield contaminated air well away from the projector are a prerequisite, if this is not a feasible solution then measures to relocate the projector to a clean air environment should be considered.

Only ever use the manufacturer's recommended cleaning kit which has been specifically designed for cleaning optical parts, never use industrial strength cleaners on the projector's optics as these will degrade optical coatings and damage sensitive optoelectronics components. Failure to take suitable precautions to protect the projector from the effects of persistent and prolonged air contaminants will culminate in extensive and irreversible ingrained optical damage. At this stage cleaning of the internal optical units will be noneffective and impracticable. Damage of this nature is under no circumstances covered under the manufacturer's warranty and may deem the warranty null and void. In such a case the client shall be held solely responsible for all costs incurred during any repair. It is the clients responsibility to ensure at all times that the projector is protected from the harmful effects of hostile airborne particles in the environment of the

projector. The manufacturer reserves the right to refuse repair if a projector has been subject to knowingly neglect, abandon or improper use.

Main power requirements

The G100 projector operates from a nominal mono phase power net with a separate earth ground PE.

Power requirements : 120-160 V / 200-240 V (+/-10%), 20 A, 50-60 Hz

The power cord required to connect the projector with the power net is delivered with the projector.

Projector weight

Do not underestimate the weight of the projector. Be sure that the pedestal or ceiling mount on which the projector has to be installed is capable of handling five (5) times the complete load of the system.

Projector	Weight (without lens)
G100-W16, G100-W19	50.0 kg / 110.23 lb
G100-W22	53.5 kg / 117.95 lb

2.2 Initial inspection

General

Before shipment, the projector was inspected and found to be free of mechanical and electrical defects. As soon as the projector is unpacked, inspect for any damage that may have occurred in transit. Save all packing material until the inspection is completed. If damage is found, file claim with carrier immediately. The Barco Sales and Service office should be notified as soon as possible.

Box content

This projector comes with all the items shown below. Check to make sure your package is complete. Contact your dealer immediately if anything is missing.

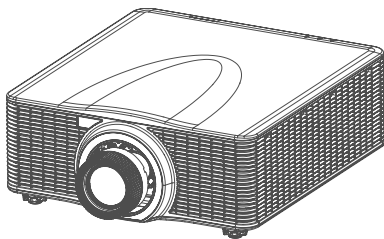


Image 2-2 Projector

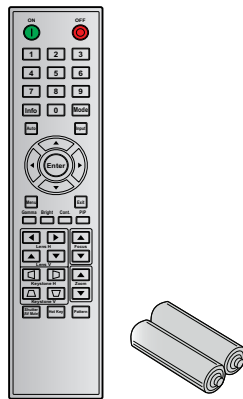


Image 2-3 Remote control with two AAA size batteries

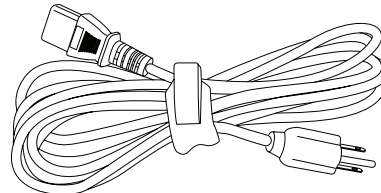


Image 2-4 Power cord

The product Safety Manual and Quick Start Guide are also included. Download the complete and latest updated installation manual and user guide from the Barco website.



The projection lens is an optional item, not a standard accessory in the package.



Due to the difference in applications for each country, some regions may have different accessories.

Mechanical check

This check should confirm that there are no broken knobs or connectors, that the cabinet and panel surfaces are free of dents and scratches, and that the operating panel is not scratched or cracked. The Barco Sales and Service office should be notified as soon as possible if this is not the case.

2.3 Getting to know the projector

Orientation convention

This manual refers to the left side of the projector as the side at your left hand when standing behind the projector and looking at the projection screen in front of the projector.

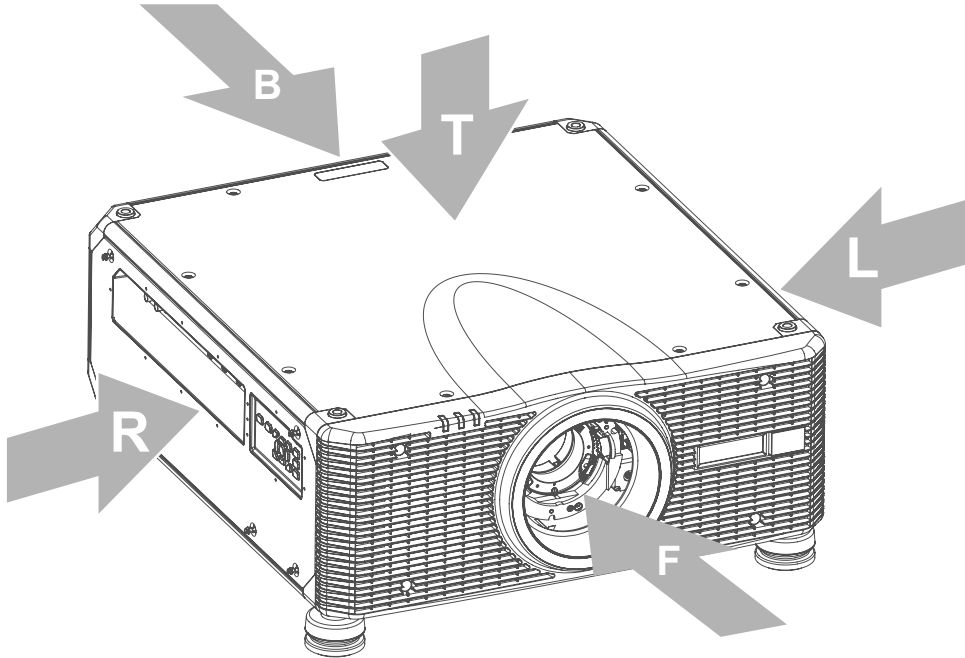


Image 2-5

- | | |
|----------------|----------------|
| T Top | R Right |
| L Left | B Back |
| F Front | |

Component location

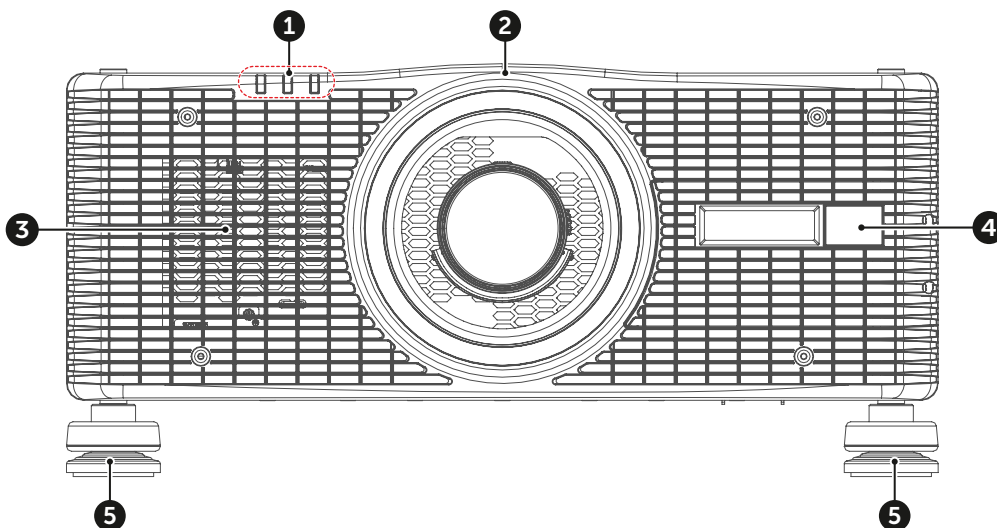


Image 2-6 Front view

- | | |
|-------------------------------------|--------------------------|
| 1 Status LEDs | 4 Front IR sensor |
| 2 Projection lens | 5 Adjustment feet |
| 3 Cooling air vents (intake) | |

Prepare to install

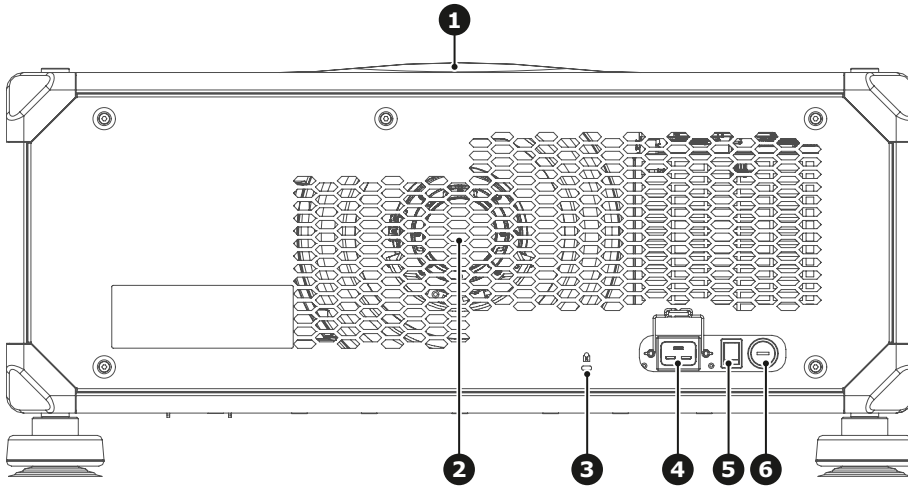


Image 2-7 Rear view

- | | | | |
|---|-----------------------------|---|---------------|
| 1 | Top IR sensor | 4 | AC input |
| 2 | Cooling air vents (exhaust) | 5 | Power switch |
| 3 | Kensington lock | 6 | Fuse location |

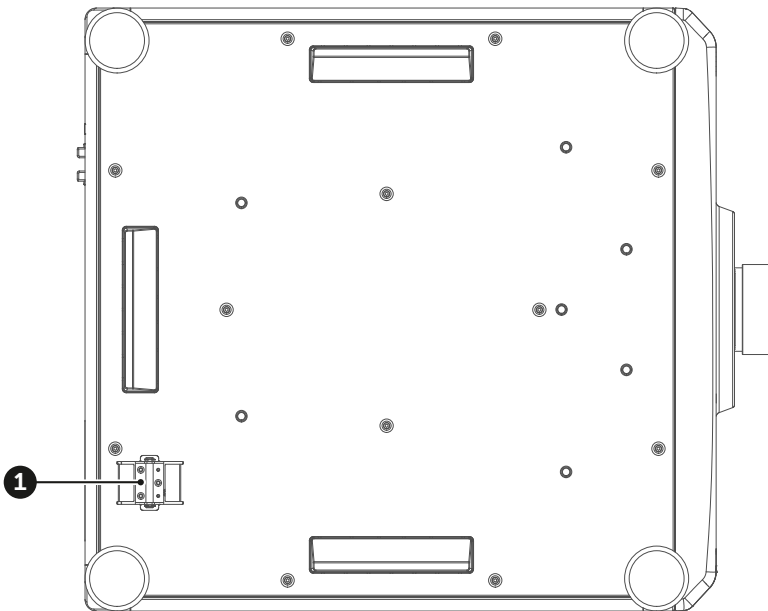


Image 2-8 Bottom view

- 1 Anti-theft bar

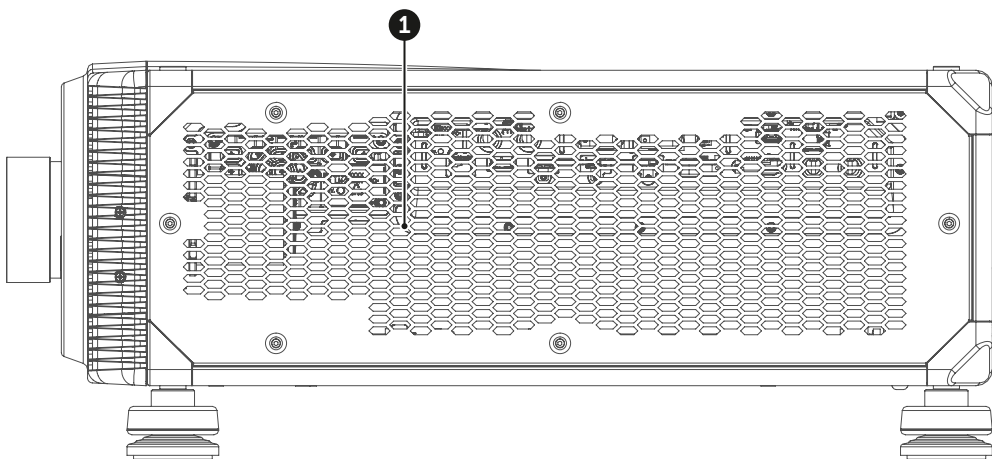


Image 2-9

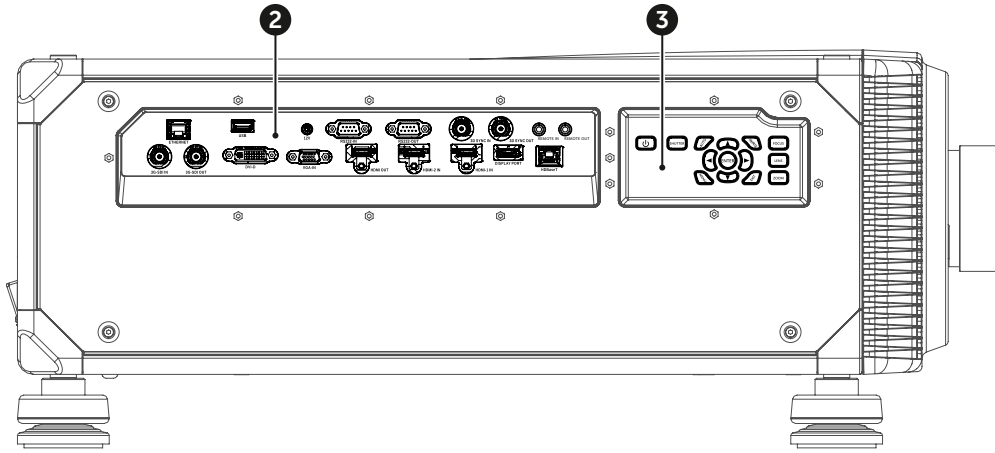


Image 2-10 Side views

- 1 Cooling air vents (intake)
- 2 Input / Output panel
- 3 Built-in keypad

Airflow

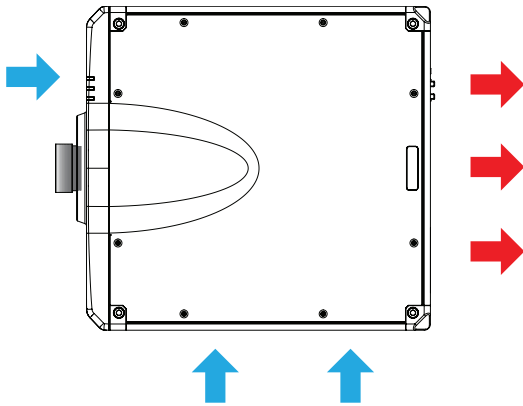


Image 2-11

2.4 Input/Output (I/O) Panel

Input and output ports location

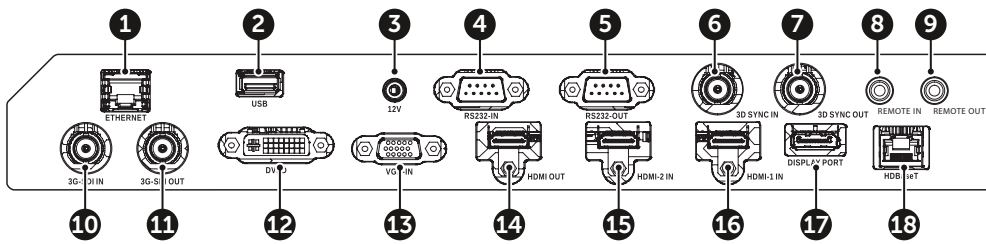


Image 2-12

N-r.	Name	Type	Cable	Example connections ¹
1	Ethernet	Control port	RJ-45 cable	Local or company network
2	USB Type A	Control port	USB power cable	PC, USB flash drive
3	12V	Control port	12V trigger cable	motorized screen, curtain, etc
4	RS-232-IN	Control port	RS-232 cable	PC
5	RS-232-OUT	Control port	RS-232 cable	PC
6	3D Sync IN	Input	3D sync cable	PC
7	3D Sync OUT	Output	3D emitter cable	3D emitter
8	Remote IN	Control port	Wired remote cable	RCU
9	Remote OUT	Control port	Wired remote cable	RCU
10	3G-SDI IN	Input	3G-SDI cable	Camera
11	3G-SDI OUT	Output	3G-SDI cable	Screen, other projectors
12	DVI-D	Input	DVI-D cable	PC
13	VGA-IN	Input	VGA cable	PC
14	HDMI OUT (HDMI 2.0)	Output	HDMI cable	Screen
15	HDMI-2 IN (HDMI 2.0)	Input	HDMI cable	PC, game console, media player
16	HDMI-1 IN (HDMI 2.0)	Input	HDMI cable	PC, game console, media player
17	DisplayPort 1.2a	Input	DisplayPort cable	PC, Mac
18	HDBaseT	Input	RJ-45 cable	Media player

1. These are just a few examples of what you can connect. There may be more options available for each port.

2.5 Control panel

Button location

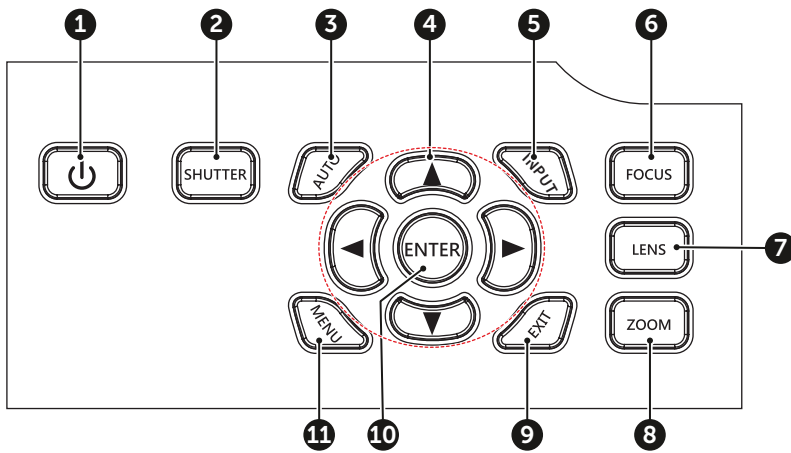


Image 2-13



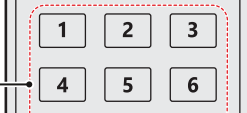
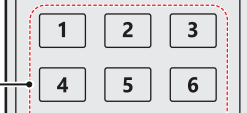





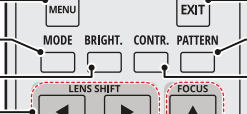
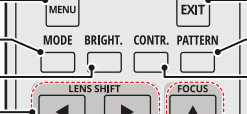




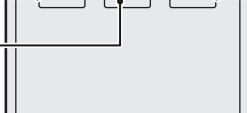
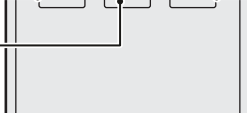







1	Power	7	Lens
2	Shutter	8	Zoom
3	Auto	9	Exit
4	Arrow keys	10	Enter
5	Input	11	Menu
6	Focus		

Button function

Button	Function
Power	Turns the projector on or off
Shutter	Opens or closes the shutter
Auto	Automatic setup
Arrow keys	Navigation keys
Input	Selects an input source
Focus	Adjusts the image focus
Lens	Adjusts lens position
Zoom	Adjusts the image size
Exit	Returns to previous menu or exit menu if at top level
Enter	Confirms the settings
Menu	Shows the main menu on screen

2.6 Overview of the RCU

Button identification

Button location	No.	Button	Function
	1	ON	Turn the projector on.
	2	Standby	Turn the projector off.
	3	Number	Input numbers (0-9)
	4	Info	Display information on the source image.
	5	ID	Set the projector address.
	6	Auto	Automatically synchronize the projector to an input source.
	7	Input	Select an input source manually.
	8	Enter	Confirm a selection.
	9	Arrow keys	Use arrow keys to navigate through the menu or select the appropriate settings.
	10	Menu	Show the main menu on the screen.
	11	Exit	Back to previous menu.
	12	Mode	Press to select the preset display mode.
	13	Pattern	Displays test patterns
	14	Brightness	Set the brightness of the image.
	15	Contrast	Set the contrast of the image.
	16	Lens shift H	Adjust the image position horizontally.
	17	Lens shift V	Adjust the image position vertically.
	18	Focus	Adjust the image focus.
	19	Keystone H	Adjust a horizontally keystone image.
	20	Keystone V	Adjust a vertically keystone image.
	21	Zoom	Adjust the image size.
	22	Shutter	Momentarily turn off/on the screen (AV Mute).
	23	User1	Press to assign custom functions. See user guide for more info.
	24	User2	Press to assign custom functions. See user guide for more info.

2.7 Adjusting the projector's position

Positioning the projector

To determine where to position the projector, consider the size and shape of your screen, the location of your power outlets, and the distance between the projector and the rest of your equipment. Here are some general guidelines:

- Position the projector on a flat surface at a right angle to the screen.
- Position the projector to the desired distance from the screen. The distance between the lens and the screen, the zoom settings, and the video format determine the size of the projected image. For projection distances of each lens, see chapter “Lenses”, page 31.
- 360 degree free orientation installation:

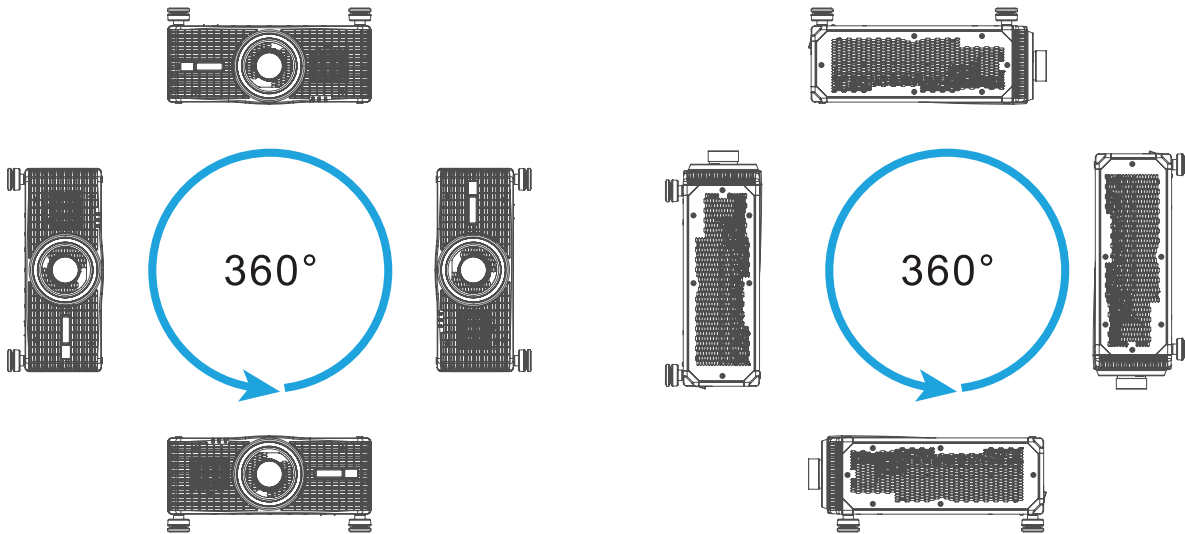


Image 2-14

2.8 Lens selection

How to select the right lens

1. Determine the required screen width (SW).
2. Determine the approximate position of the projector in the room.
3. Start up the *Lens Calculator* on the Barco website: <https://lenscalculator.barco.com/> to determine the possible lenses for your configuration.

The Lens Calculator window opens.

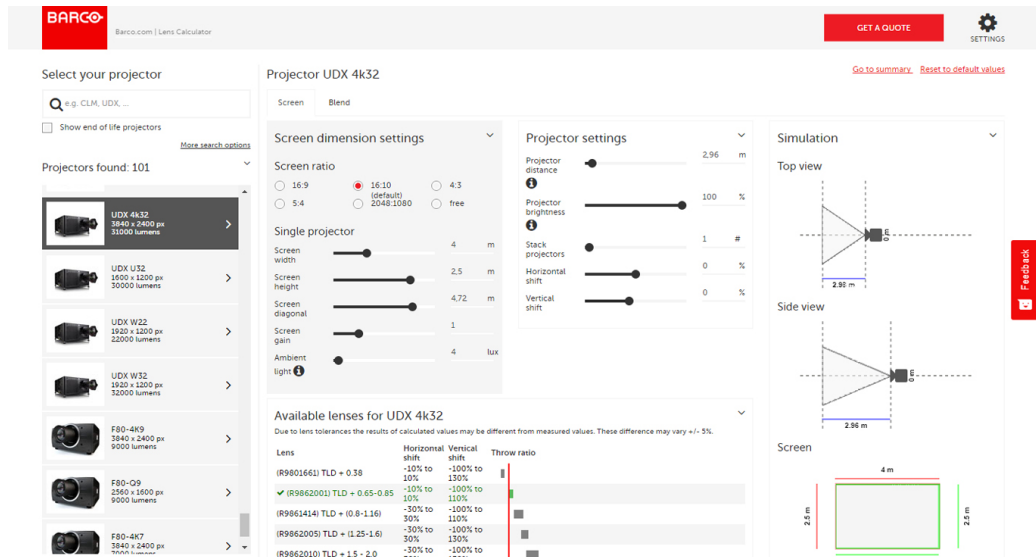


Image 2–15 Lens calculator



The Lens Calculator can also be used to determine the position of the projector when the lens type and screen width is known.



Due to lens tolerances the results of calculated values may be different from measured values. These difference may vary +/- 5%.

2.9 Lenses

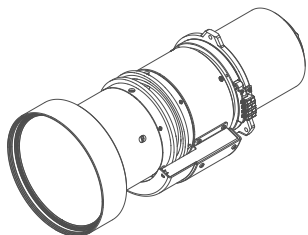
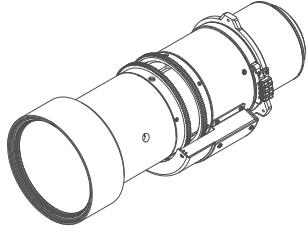
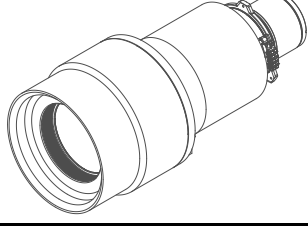
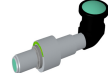
Available lenses



The table below is subject to changes and was last updated on 2021-03-17. Consult Barco's web site for the most recent information about available lenses.

Order No	Description	Throw Ratio	Image
R9802188	GC Lens – Short Zoom	0.65 - 0.75 : 1 (WUXGA)	
R9802181	GC Lens – Wide Zoom	0.84 - 1.02 : 1 (WUXGA)	
R9802182	GC Lens – Wide Zoom	1.02 - 1.36 : 1 (WUXGA)	
R9802183	GC Lens – Wide Zoom	1.2 - 1.5 : 1 (WUXGA)	
R9802184	GC Lens – Standard	1.5 - 2.0 : 1 (WUXGA)	

Prepare to install

Order No	Description	Throw Ratio	Image
R9802185	GC Lens – Long Zoom ²	2.4 - 4.0 : 1 (WUXGA)	
R9802186	GC Lens – Ultra Long Zoom ²	4.0 - 7.2 : 1 (WUXGA)	
R9802187	GC Lens – Ultra Long Zoom ²	7.2 - 10.8 : 1 (WUXGA)	
R9801832	FLDX Lens – Ultra Short Throw 90° ⁽³⁾	0.38 : 1 (WUXGA)	

Lens specification table

Projection Lens			R9801832	R9802188	R9802181	R9802182	R9802183	R9802184					
			Ultra Short Throw	Short Zoom	Wide Zoom	Wide Zoom	Wide Zoom	Standard					
Throw Ratio			0.38	0.65 - 0.75	0.84 - 1.02	1.02 - 1.36	1.2 - 1.5	1.5 - 2					
Zoom Ratio			N.A.	1.15X	1.2X	1.33X	1.25X	1.33X					
Throw Distance			0.54~5.03	0.70~8.08	0.90~10.98	1.10~14.65	1.34~16.69	1.64~21.75					
Vertical Lens Shift (optical)			+/- 120%	+/- 102%	+/- 74%	+/- 82%	+/- 120%	+/- 120%					
Horizontal Lens Shift (optical)			+/- 50%	+/- 48%	+/- 26%	+/- 30%	+/- 50%	+/- 50%					
Screen size			Projection distance (m)										
Diagonal (inch)	Height (m)	Width (m)	(m)	Wide (m)	Tele (m)	Wide (m)	Tele (m)	Wide (m)	Tele (m)	Wide (m)	Tele (m)	Wide (m)	Tele (m)
50	0.67	1.08	NA	0.70	0.81	0.90	1.10	1.10	1.46	1.34	1.67	1.64	2.18
60	0.81	1.29	NA	0.84	0.97	1.09	1.32	1.32	1.76	1.60	2.00	1.96	2.61
70	0.94	1.51	0.54	0.98	1.13	1.27	1.54	1.54	2.05	1.87	2.34	2.29	3.05
80	1.08	1.72	0.62	1.12	1.29	1.45	1.76	1.76	2.34	2.14	2.67	2.62	3.48
90	1.21	1.94	0.71	1.26	1.45	1.63	1.98	1.98	2.64	2.40	3.00	2.95	3.92
100	1.35	2.15	0.79	1.40	1.62	1.81	2.20	2.20	2.93	2.67	3.34	3.27	4.35

2. FDA approval for this lens is still pending. Because of this, this lens can currently not be used in the US.
 3. Requires mechanical support and lens adapter

Projection Lens			R9801832	R9802188		R9802181		R9802182		R9802183		R9802184	
			Ultra Short Throw	Short Zoom		Wide Zoom		Wide Zoom		Wide Zoom		Standard	
110	1.48	2.37	0.87	1.54	1.78	1.99	2.42	2.42	3.22	2.94	3.67	3.60	4.79
120	1.62	2.58	0.96	1.68	1.94	2.17	2.64	2.64	3.52	3.21	4.01	3.93	5.22
130	1.75	2.80	1.04	1.82	2.10	2.35	2.86	2.86	3.81	3.47	4.34	4.26	5.66
140	1.88	3.02	1.13	1.96	2.26	2.53	3.08	3.08	4.10	3.74	4.67	4.58	6.09
150	2.02	3.23	1.21	2.10	2.42	2.71	3.30	3.30	4.39	4.01	5.01	4.91	6.53
160	2.15	3.45	1.30	2.24	2.58	2.89	3.52	3.52	4.69	4.27	5.34	5.24	6.96
170	2.29	3.66	1.38	2.38	2.75	3.08	3.73	3.73	4.98	4.54	5.68	5.57	7.40
180	2.42	3.88	1.47	2.52	2.91	3.26	3.95	3.95	5.27	4.81	6.01	5.89	7.83
190	2.56	4.09	1.55	2.66	3.07	3.44	4.17	4.17	5.57	5.07	6.34	6.22	8.27
200	2.69	4.31	1.64	2.80	3.23	3.62	4.39	4.39	5.86	5.34	6.68	6.55	8.70
250	3.37	5.38	2.06	3.50	4.04	4.52	5.49	5.49	7.32	6.68	8.35	8.18	10.88
300	4.04	6.46	2.49	4.20	4.85	5.43	6.59	6.59	8.79	8.01	10.02	9.82	13.05
350	4.71	7.54	2.91	4.90	5.65	6.33	7.69	7.69	10.25	9.35	11.68	11.46	15.23
400	5.38	8.62	3.33	5.60	6.46	7.24	8.79	8.79	11.72	10.68	13.35	13.10	17.40
450	6.06	9.69	3.76	6.30	7.27	8.14	9.89	9.89	13.18	12.02	15.02	14.73	19.58
500	6.73	10.77	4.18	7.00	8.08	9.05	10.98	10.98	14.65	13.35	16.69	16.37	21.75
550	7.40	11.85	4.61	-	-	-	-	-	-	-	-	-	-
600	8.08	12.92	5.03	-	-	-	-	-	-	-	-	-	-

Projection Lens			R9802185	R9802186		R9802187		
			Long Zoom	Ultra Long Zoom		Ultra Long Zoom		
Throw Ratio			2 - 4	4 - 7.2		7.2 - 10.8		
Zoom Ratio			2X	1.8X		1.5X		
Throw Distance			2.10~42.43	4.25~76.89		7.75~116.31		
Vertical Lens Shift (optical)			+/- 120%	+/- 120%		+/- 120%		
Horizontal Lens Shift (optical)			+/- 50%	+/- 50%		+/- 50%		
Screen size			Projection distance (m)					
Diagonal (inch)	Height (m)	Width (m)	Wide (m)	Tele (m)	Wide (m)	Tele (m)	Wide (m)	Tele (m)
50	0.67	1.08	2.10	4.24	4.25	7.69	7.75	11.63
60	0.81	1.29	2.52	5.09	5.10	9.23	9.30	13.96
70	0.94	1.51	2.94	5.94	5.96	10.77	10.86	16.28
80	1.08	1.72	3.36	6.79	6.81	12.30	12.41	18.61
90	1.21	1.94	3.78	7.64	7.66	13.84	13.96	20.94
100	1.35	2.15	4.20	8.49	8.51	15.38	15.51	23.26
110	1.48	2.37	4.62	9.34	9.36	16.92	17.06	25.59
120	1.62	2.58	5.04	10.18	10.21	18.45	18.61	27.91
130	1.75	2.80	5.46	11.03	11.06	19.99	20.16	30.24
140	1.88	3.02	5.88	11.88	11.91	21.53	21.71	32.57
150	2.02	3.23	6.30	12.73	12.76	23.07	23.26	34.89
160	2.15	3.45	6.72	13.58	13.61	24.61	24.81	37.22

Projection Lens			R9802185		R9802186		R9802187	
			Long Zoom		Ultra Long Zoom		Ultra Long Zoom	
170	2.29	3.66	7.14	14.43	14.46	26.14	26.36	39.55
180	2.42	3.88	7.56	15.28	15.31	27.68	27.91	41.87
190	2.56	4.09	7.98	16.12	16.17	29.22	29.47	44.20
200	2.69	4.31	8.40	16.97	17.02	30.76	31.02	46.52
250	3.37	5.38	10.50	21.22	21.27	38.45	38.77	58.16
300	4.04	6.46	12.60	25.46	25.52	46.14	46.52	69.79
350	4.71	7.54	14.70	29.70	29.78	53.83	54.28	81.42
400	5.38	8.62	16.80	33.95	34.03	61.52	62.03	93.05
450	6.06	9.69	18.90	38.19	38.29	69.21	69.79	104.- 68
500	6.73	10.77	21.00	42.43	42.54	76.89	77.54	116.- 31
550	7.40	11.85	-	-	-	-	-	-
600	8.08	12.92	-	-	-	-	-	-

2.10 Adjusting the image position on the screen

On axis / off axis projection

The position of the projector with reference to the screen may also be different depending on the installation. Basically the projector can be positioned in On-Axis or Off-Axis configuration. On-Axis configuration means that the projector is positioned so as to have the centre of the lens coinciding with the centre of the screen. Off-Axis projection is obtained by shifting the lens up, down, left or right.

Shift range

The lens can be shifted with respect to the DMD (P) which result in a shifted image on the screen (Off-Axis). A 100% shift means that the centre point of the projected image is shifted by half the screen size. In other words, the centre point of the projected image falls together with the outline of the image in an On-Axis projection. Due to mechanical and optical limitations it's recommended to keep the shift values within the field of view (F) as illustrated below. Within these shift ranges the projector and lens perform excellently. Configuring the projector outside these shift ranges will result in a slight decline of image quality.

G100 Vertical Shift range: 120%

G100 Horizontal Shift range: 50%

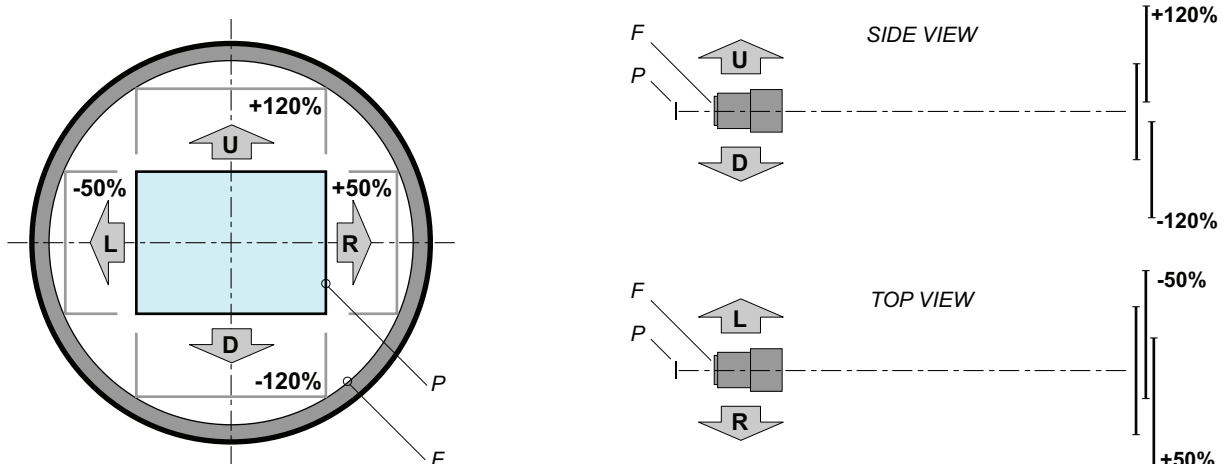


Image 2-16

D DMD
F Field of view



It is mechanically possible to shift outside the recommended field of view, but it will result in a decline of image quality depending on the used lens and the zoom position of the used lens. Furthermore, shifting too much in both directions will result in a blurred image corner.

See user guide for instructions on how to shift the lens holder (*Installation* menu > *Lens Shift*).

Recommendations concerning image reflections in dark images

Image artefacts are reflections of the off-state light on the first lens element back to the chip. In order to avoid these type of image artefacts becoming visible in dark images, it is advised to shift the lens until the reflections are outside of the visual area.

- For lens **R9802181**, you do not have image artefacts when you shift up over +56% vertically.
- For lens **R9802182**, you do not have image artefacts when you shift up over + 64% vertically, or if you shift down below -22% vertically.

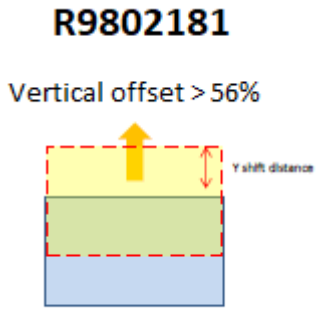


Image 2-17

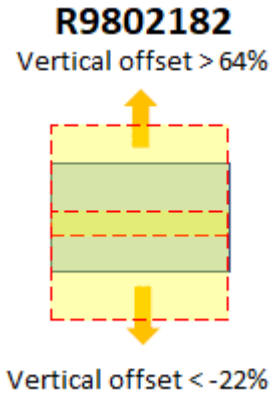


Image 2-18

2.11 Download Projector Toolset

About Projector Toolset

Projector Toolset is a software tool to set up, configure, manage and control Barco projectors.

The Projector Toolset software works with configurations that can be loaded. Several configurations can be controlled simultaneously. Even when the configurations are connected via different ways.

Projector Toolset is a standalone application that runs on a Java Virtual Machine and that does not require extra services to run.



Projector Toolset is only available in a download version, no CD can be ordered.

Where to find the download file(s)

The program and all necessary plug-ins, as well as the Reference manual can be downloaded for free from my.barco.com. Registration is necessary.

1. Go to the Barco website www.barco.com.
2. On the home page, click on **myBarco log in**.
3. On the Sign In page, enter your Email address and your password to login.
If you are not yet registered click on **New to myBarco?** and follow the instructions. With the created login and password, it is possible to enter the Partner zone of Barco.
When your login is correct, the Partner zone is free accessible.
4. In the search field, enter Projector Toolset and click on the search icon.
5. Select **Technical Downloads**.
6. Click on Application Software and download the Projector Toolset software package, which includes the device plug-in updates.

When downloading the complete Projector Toolset, this software contains already the latest device plug-ins. When you already have the latest core version of Projector Toolset, it is possible to download only device plug-in updates from the same web site location.

As Projector Toolset is a stand alone application, it is not necessary to install any other software. A Java virtual machine is included with this download.

To download the reference manual, select Reference Guide and download the latest version of the manual for your projector.

Installation

Download first the reference manual and follow the installation instructions as written in this manual.

Installation procedures

3

3.1	RCU battery installation	40
3.2	Connecting the projector with the power net.....	41
3.3	Installing the lens.....	42
3.4	Projector Address (ID).....	43
3.5	Using the RCU	44
3.6	Software update	45

3.1 RCU battery installation

How to install the batteries of the Remote Control Unit

1. Remove the cover by sliding it in the direction indicated by the arrow
2. Insert two new AAA batteries (observe the polarity).
3. Replace the cover.

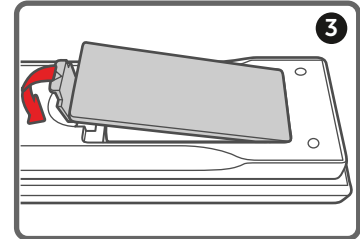
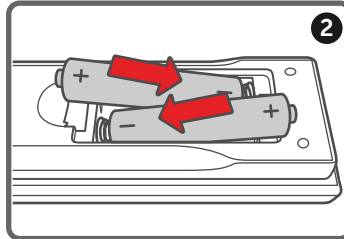
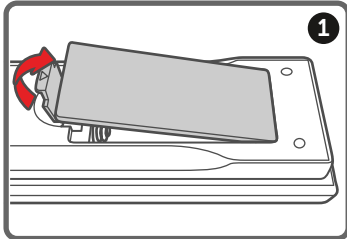


Image 3-1

Notes for the Remote Control Unit

- Be sure to insert the batteries in the corresponding orientations to match the polarities.
- Do not mix new batteries with used batteries as it would shorten the life of new batteries or cause leakage.
- Only used AAA batteries as instructed; do not attempt to insert different types of batteries into the remote control.
- If the remote is going to be unused for long periods of time, be sure to remove the batteries to prevent leakage, which could damage the remote control.
- The liquid contents in the batteries is harmful to the skin; do not touch the leakage with your bare hands directly. When installing fresh batteries, be sure to clean up the leakage thoroughly.
- Under most circumstances, you only need to point the remote control towards the screen and the IR signal would be reflected off the screen and picked up by the IR sensor on the projector. But under specific circumstances, the projector may fail to receive signals from the remote control due to environmental factors. When this happens, orient the remote control at the projector and try again.
- If the range of effective remote control signal reception decreases or if the remote control stops working, replace the batteries.
- If the infrared receiver is exposed to fluorescent lamp or strong sunlight, the remote control may not operate normally.
- Refer to the regulations enforced by your local government on the disposal of used batteries; improper disposal could damage the environment.

3.2 Connecting the projector with the power net



CAUTION: Use only the power cord provided with the projector.

How to connect with local power net

1. Ensure that the power switch stands in the '0' (OFF) position (reference 1)
2. Connect the female side of the power cord with the power input socket of the projector (reference 2).

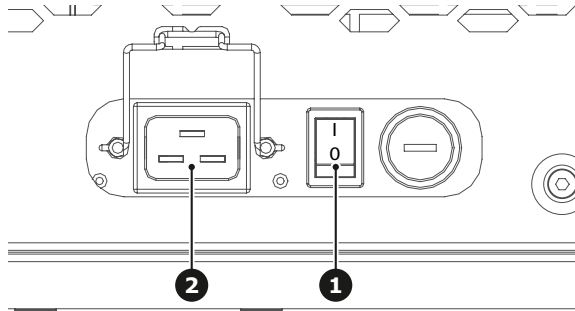


Image 3-2

3. Connect the male side of the power cord to the local power net.



Caution: Ensure that the power net meets the power requirements of the projector.




Warning: Do not attempt operation if the AC supply and cord are not within the specified voltage and power range.

3.3 Installing the lens

How to install the lens

1. Remove the lens cap. Rotate the cap counterclockwise to help remove it.

 **Caution:** Lens cap should be removed before installing the lens. If not it will damage the projector.

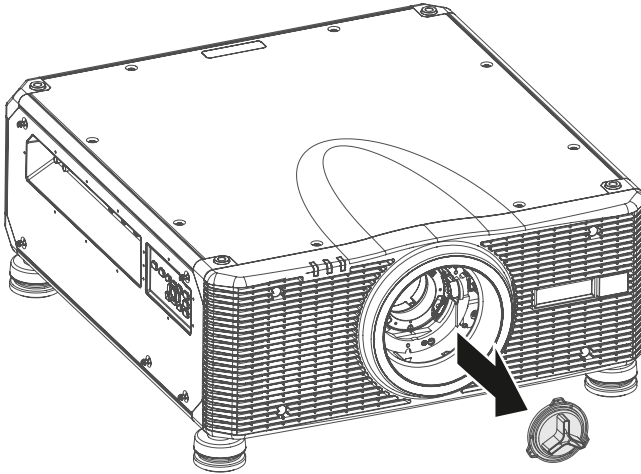


Image 3-3

2. Gently insert the lens in the lens holder.
3. Rotate the lens clockwise to lock the lens.

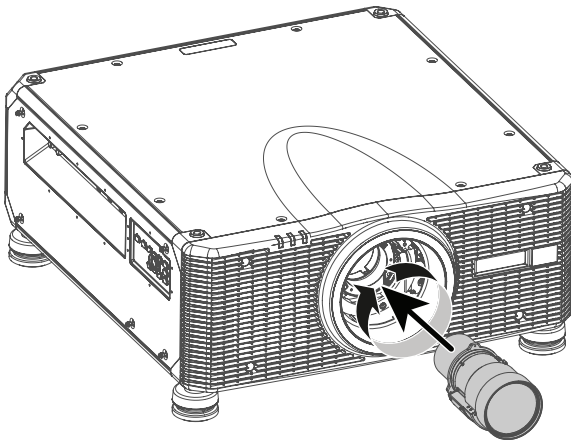


Image 3-4



CAUTION: Do not transport the projector with any lens installed.

3.4 Projector Address (ID)

About the projector address

The Remote Control supports individual addressing of multiple projectors. The remote receiver on the projector can be set with a specific number from 00 to 99, and the projector only responds to the IR remote set to the same number. The default ID code of the RCU (also known as the broadcast address) is 00. This specific address allows the RCU to control all projectors within its effective range.

How to set the projector address on the RCU

1. Keep **ID Key** pressed in.
2. After few seconds, enter the address with the numeric keys while keeping the **ID Key** pressed in.

 *Tip:* Always enter two digits. E.g. for address 2, enter 02.

3. Release the **ID Key**.



The projector address can be set in: *Communication > Remote setup > Remote code.*

3.5 Using the RCU

Effective range

The Infrared (IR) remote control sensors are located on the front and top sides of the projector. To have the remote control functions correctly, make sure of the following:

- The maximum range between the remote control and the sensor is 30 m (98.4 ft).
- Ensure to hold the remote at the following angles towards one of the IR remote control sensors:
 - horizontally: $\pm 30^\circ$
 - vertically: $\pm 20^\circ$
- Make sure there are no obstacles between the remote control and the IR sensors on the projector.
- Make sure the IR transmitter of the remote control is not directly being shined by sunlight or fluorescent lamps.
- Keep a minimum distance of 2 m between the remote control and nearby fluorescent lamps. If not, the RCU might malfunction.
- If the projector and remote are within very short distance, the RCU may become ineffective.
- When you aim at the screen, the effective distance is less than 5 m from the remote control to the screen and reflecting the IR beams back to the projector. However, the effective range might change depending on type of screen used.

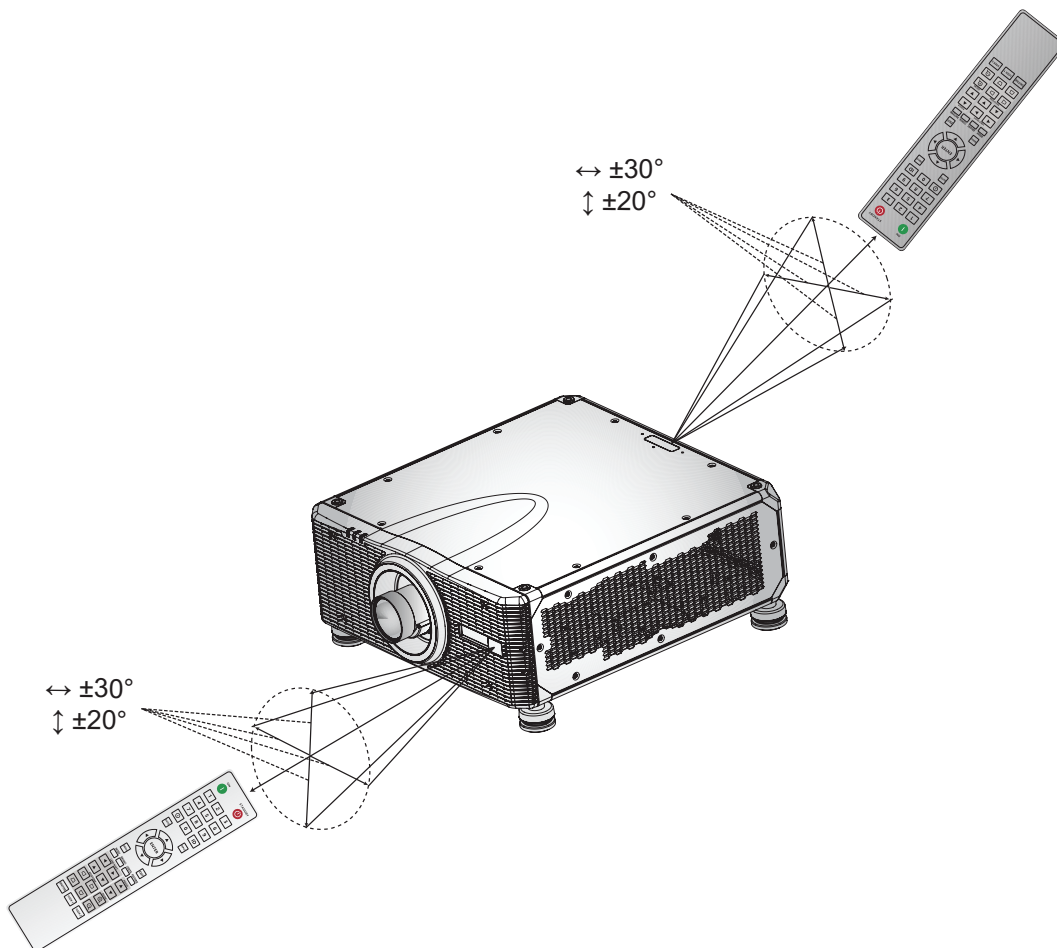


Image 3-5

3.6 Software update



CAUTION: Do not power off or unplug the projector while the software update is ongoing.

How to update the software

1. Power on the projector.
2. Download and install the latest version of Projector Toolset for G-series. The program can be downloaded for free from Barco's website, (URL: <http://www.barco.com>). Click on *myBarco* and log in to get access to secured information. Registration is necessary.
If you are not yet registered, click on *New to myBarco* and follow the instructions. With the created login and password, it is possible to log in where you can download the software.
3. Download the latest firmware (format .iso) from Barco's website in the same way as for Projector Toolset.
4. Start Projector Toolset and make a connection with the projector. For more information, see the “*Projector Toolset*” user guide.
5. Select tab **Update settings**.
6. Fill out the path to the update file (1)

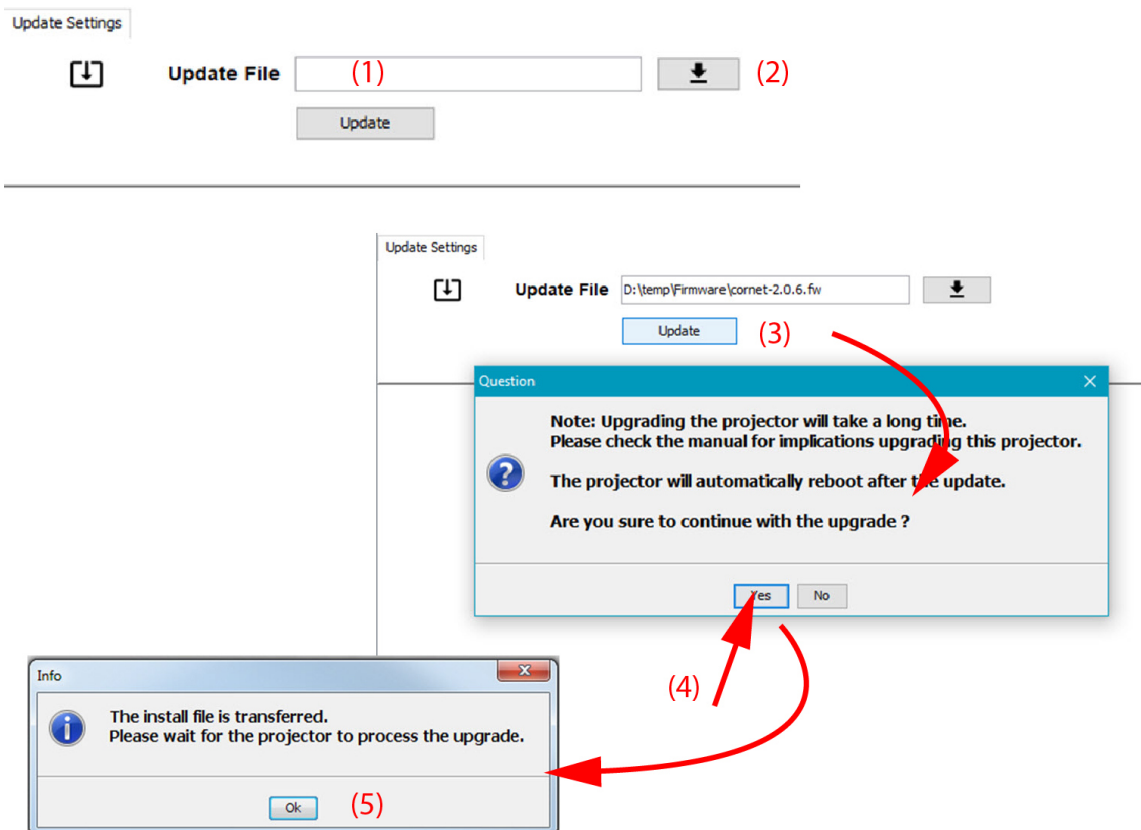


Image 3–6 Update Pulse projector

or

click on the path selection icon (2) to open a browser window.

7. Browse to the desired update package (format .iso) and click **Select Update Package**.
The path will be filled out in the input field next to *Update File*.
8. Click **Update** (3).

The update starts. This action can take a long time. A message is displayed.

9. Click **Yes** to continue (4).

The update file will be transferred to the projector and installed. The projector will reboot.

A message is displayed. Click **Ok** to clear the message.

How to update the software if the projector isn't connected to the network

1. Power on the projector.

2. Download the latest firmware file (format .iso) from Barco's website. The firmware can be downloaded for free from Barco's website, (URL: <http://www.barco.com>). Click on *myBarco* and log in to get access to secured information. Registration is necessary.

If you are not yet registered, click on *New to myBarco* and follow the instructions. With the created login and password, it is possible to log in where you can download the software.

3. Connect your computer to the projector, using a LAN cable.

4. Browse to the IP address of the projector (e.g. the default 192.168.1.100).

The login screen will be displayed.

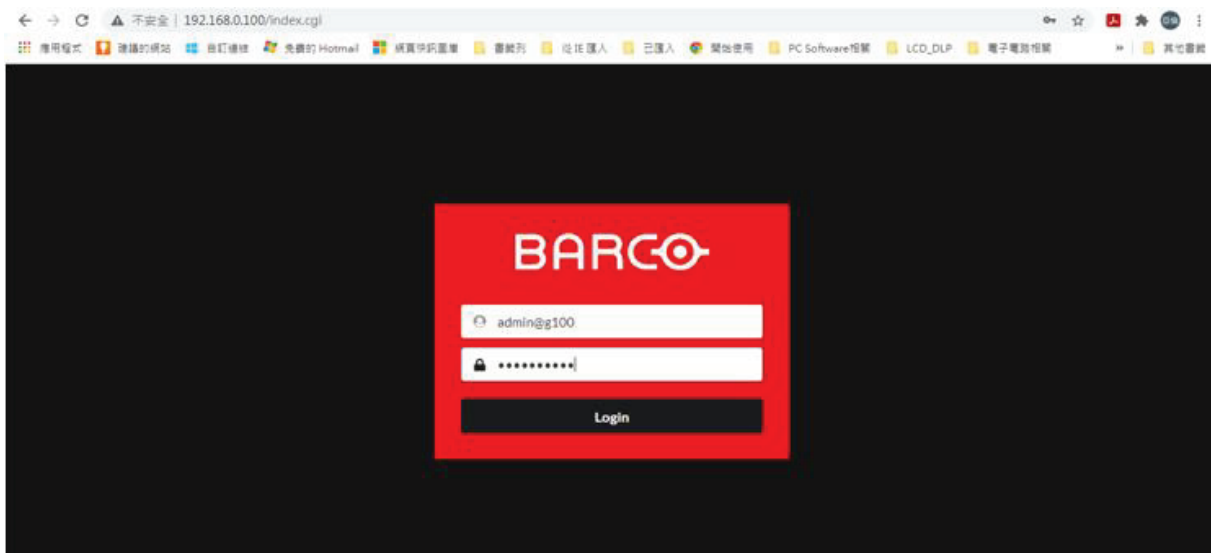


Image 3-7 Example of the login page

5. Log in, using the following (default) settings:

- Username: admin@g100
- password: admin@g100



Tip: It is advised to change the username and password once you have logged in. It is also advised to use a strong password.

6. Navigate to System Settings > Upgrade (reference 1).

The upgrade page will be displayed.

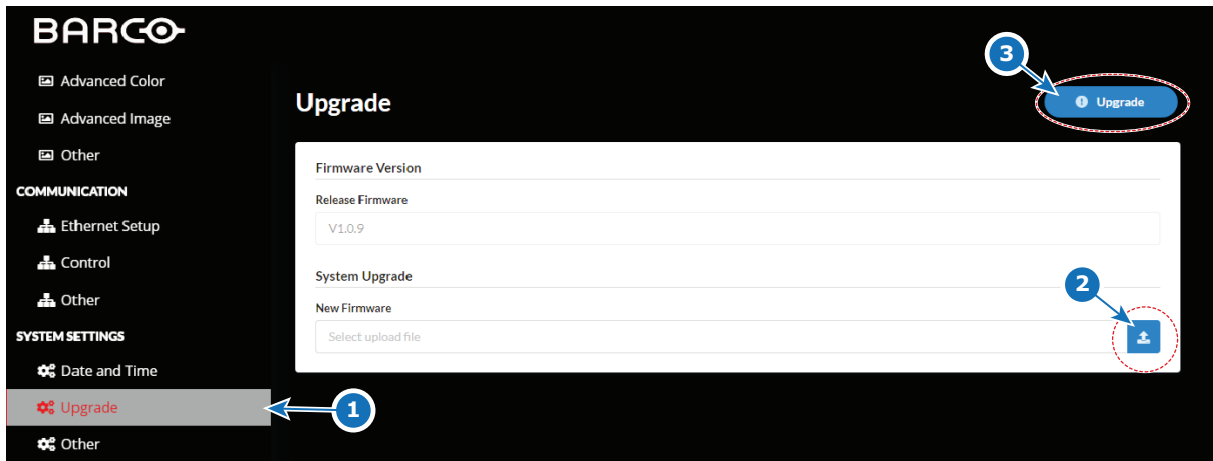


Image 3–8 Example of the upgrade page

7. Browse to the desired update package (format .iso) and confirm (reference 2). Click **Upgrade** (reference 3) to start the upgrade process.

The update file will be transferred to the projector and installed. The projector will reboot when completed.



Take note that the update process can take a long time to complete.



For more info about the Projector Toolset see user guide of the Projector Toolset.

4

Rigging frame

4.1	Mounting the adapter plate onto the projector	50
4.2	Mounting the projector in the rigging frame	52
4.3	Stacking multiple projectors	55

About the rigging frame

While there is no dedicated frame available for the G100 projector, there is an adapter plate available to mount the G100 projector into the existing frame of the UDX.

The used UDX rigging frame without projector weight about ± 27 kg (± 66 lb).

4.1 Mounting the adapter plate onto the projector

Required tools

Torque wrench with 6 mm and 14 mm Allen bit

Required parts

- Hex screws with socket head M16 (x4)
- Hex screws with socket head M8 (x4)
- Spring washer M16 (x4)
- Spring washer M8 (x4)
- Plain washer M16 (x4)
- Plain washer M8 (x4)

How to mount the plate

1. Place the projector on clean, flat and stable surface, with its feet facing upwards.
2. Remove the projector feet as illustrated.

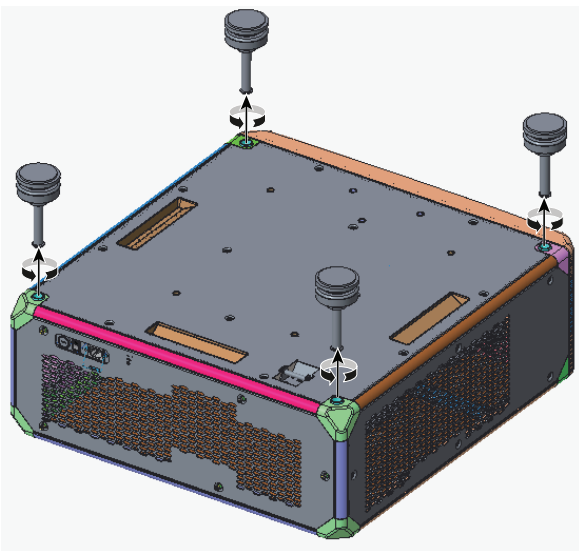


Image 4-1

3. Prepare the four M16 and the four M8 hex screws as follows:
 - Attach a spring washer (reference 2) to each of the four hex screws (reference 1).
 - Attach a plain washer (reference 3) to each of the four the hex screws.

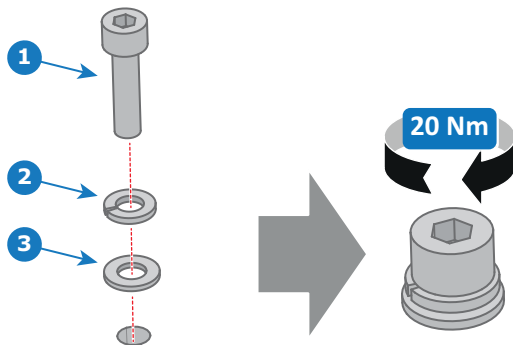


Image 4-2

4. Align the screw holes of the adapter plate with the screw holes where the projector feet used to be.
5. Drive in the four M16 hex screws into the adapter plate and projector. Use a torque wrench with 14 mm Allen bit.

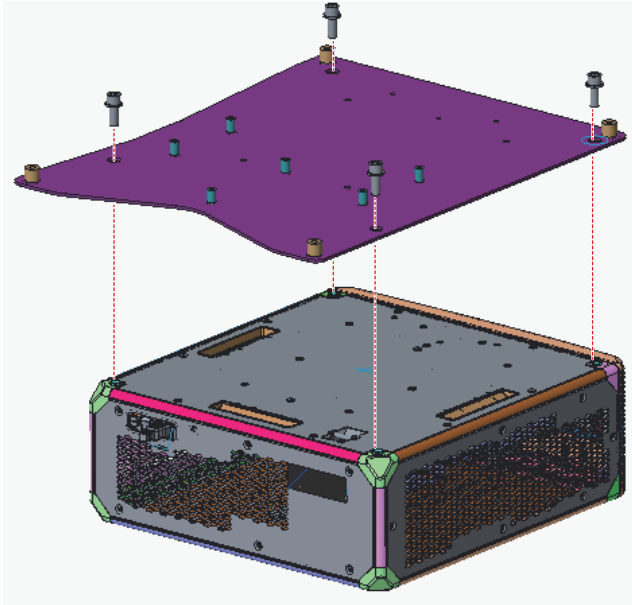


Image 4-3

! *Caution:* Fasten the six screws with a torque of 20 Nm.

6. Drive in the four M8 hex screws into the adapter plate and projector as illustrated. Use a torque wrench with 6 mm Allen bit to drive in the screws.

! *Caution:* Fasten the six screws with a torque of 20 Nm.

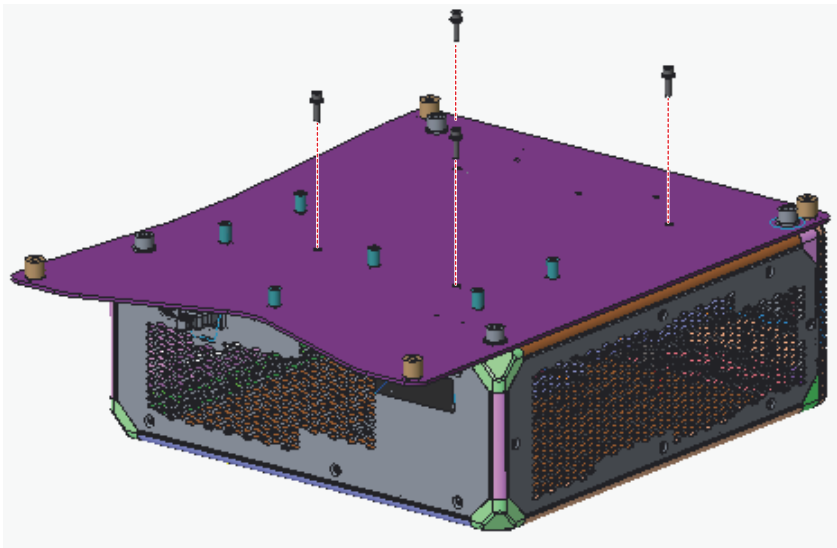


Image 4-4

4.2 Mounting the projector in the rigging frame

Required tools

Torque wrench with 6 mm and 8 mm Allen bit

Required parts

- Hex screws with socket head M8 x 30 (x6)
- Hex screws with socket head M10 x 40 (x4)
- Spring washer M8 (x6)
- Spring washer M10 (x4)
- Plain washer M8 (x6)
- Plain washer M10 (x4)
- Locking pins (x4)

How to mount

1. Mount the four M10 hex screws (reference 1) + spring washer (reference 2) + plain washer (reference 3) on the bottom of the rigging frame on the location where the projector feet used to be.

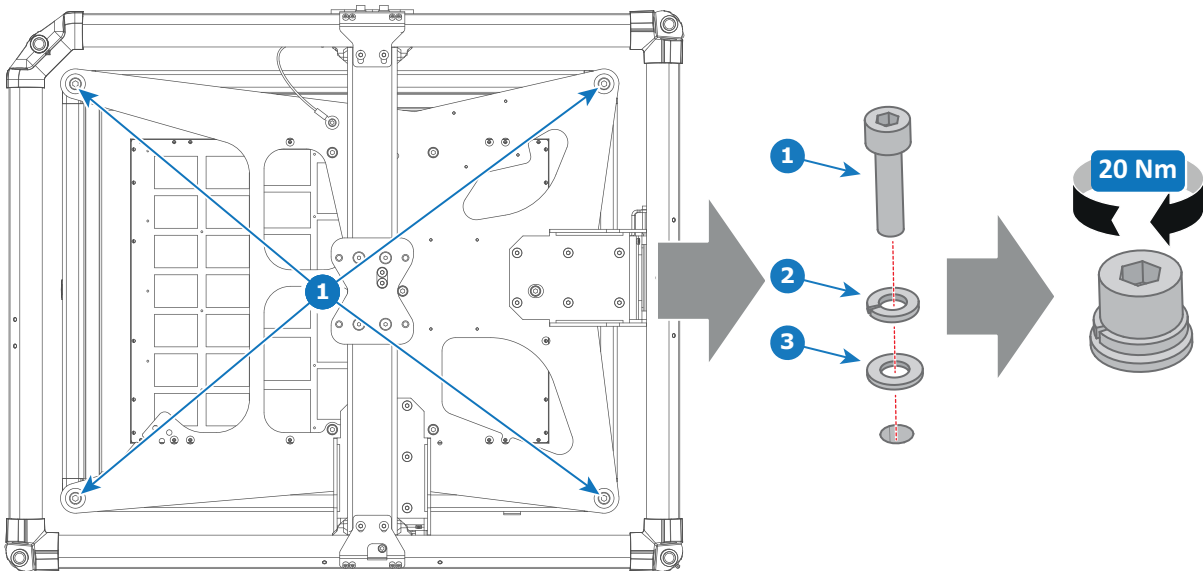


Image 4-5 Mounting location of the M10 hex screws

2. Place the rigging frame over the projector with adapter plate and align the screw holes of the adapter plate with the M10 hex screws.

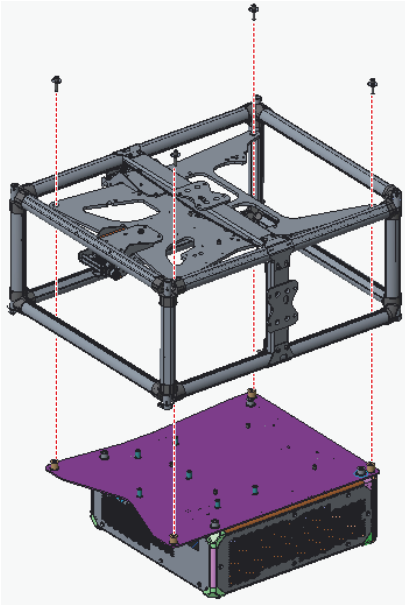


Image 4-6

3. Drive in the 4 M10 screws. Use a torque wrench with 8 mm Allen bit.

! *Caution:* Fasten the six screws with a torque of 20 Nm.

4. Mount the six M8 hex screws (reference 1) + spring washer (reference 2) + plain washer (reference 3) on the bottom of the rigging frame to tie the two together.

! *Caution:* Fasten the six screws with a torque of 20 Nm.

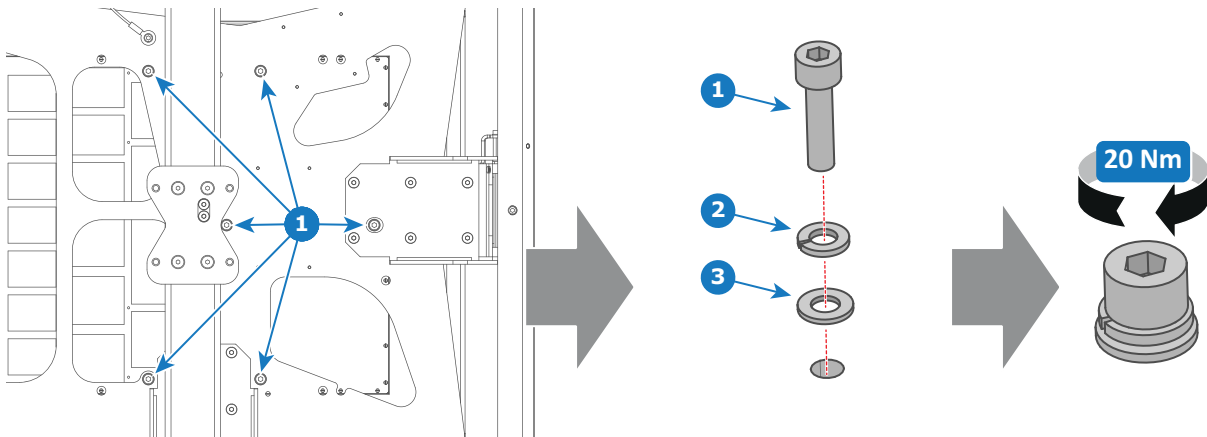


Image 4-7 Mounting location of the M8 hex screws

5. Lift the rigging frame with projector up and flip it upside down.
6. Install the four locking pins (reference 1 [Image 4-8](#)) in the top stacking pins.

Rigging frame

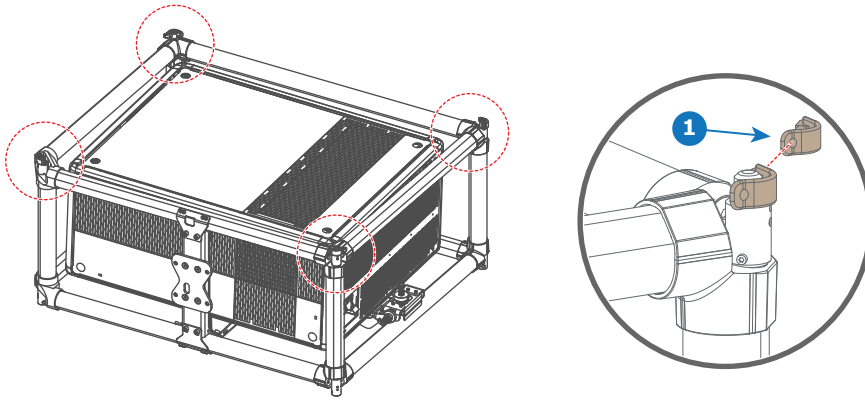



Image 4-8

 **Note:** Skip this step if you immediately are going to stack or suspend multiple rigging frames.

4.3 Stacking multiple projectors



WARNING: G100 projectors can be stacked up on top of each other on a flat surface, or suspended from a truss using the rigging frame. But keep the following in mind:
It is allowed to stack **maximum three** projectors
It is allowed to suspend **maximum two** projectors



For illustration purposes, the images display the UDX projector. This procedure is identical for the G100 series projectors.

How to stack

1. Make sure that each projector is installed in their respective rigging frame.
2. If pre-installed, remove all four locking pins (reference 1, [Image 4-9](#)) from each rigging frame, except the frame that will be installed on top of the stack.

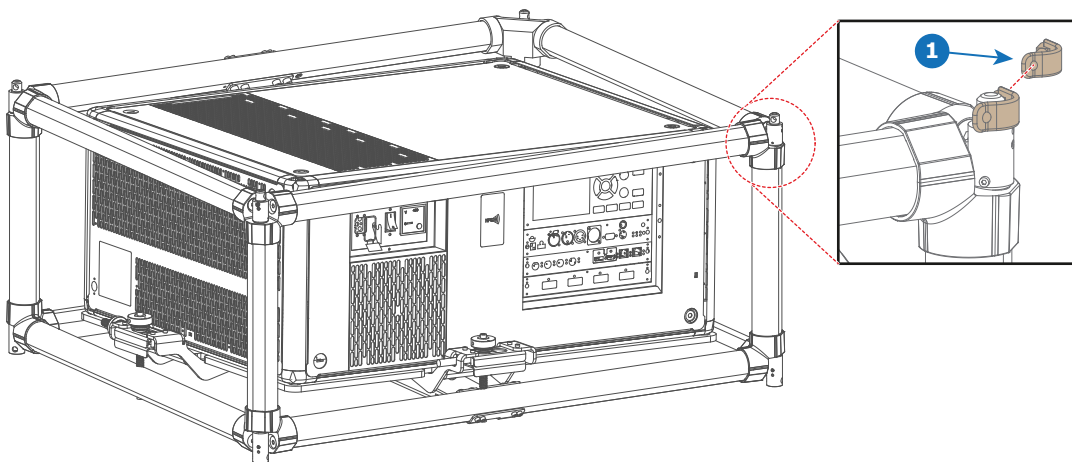


Image 4-9

- 1 Locking pin



Note: Even if not all pins are necessary in your current setup, it is important to keep all locking pins to their respective rigging frame for future use.

3. Stack the frames. Make sure the stacking pins of both frames are aligned.

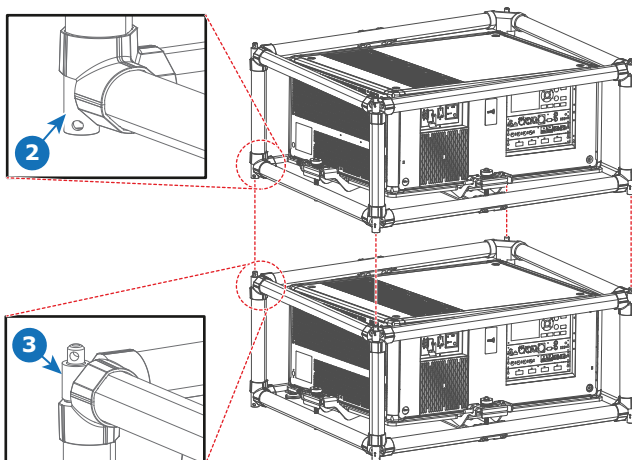


Image 4-10

- 2 Lower stacking pins
- 3 Upper stacking pins

4. Install a locking pin (reference 1, [Image 4-11](#)) through the overlapping hole of both stacking pins.

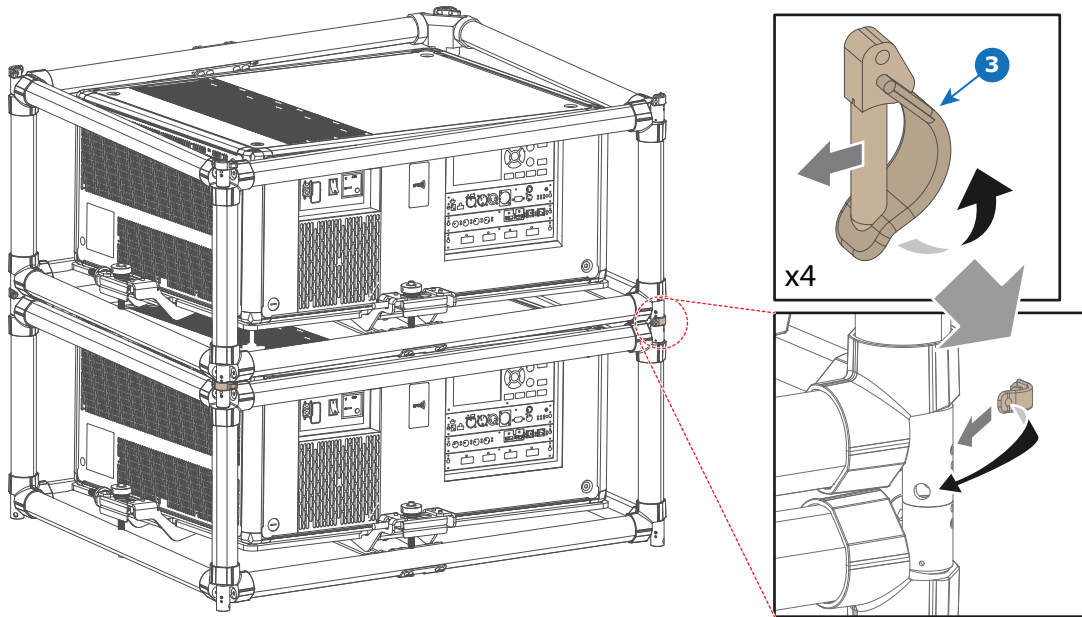


Image 4-11

5. Repeat the previous step for each overlapping corner of all stacked rigging frames.



In long-term installations, it is advised to also install swivels between the two projectors in order to make it easier to access the metal air filter on the top of the projector.

Powering on/off the projector

5

5.1	Powering on the projector.....	58
5.2	Powering off the projector.....	59

5.1 Powering on the projector

How to power on the projector

1. Power on the AC switch (1) and wait until the power button on the control panel is solid orange.

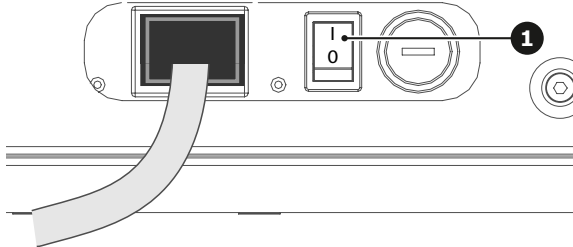


Image 5-1

2. Turn on the projector by pressing the POWER button (2) on the control panel or the ON key (3) on the remote control.

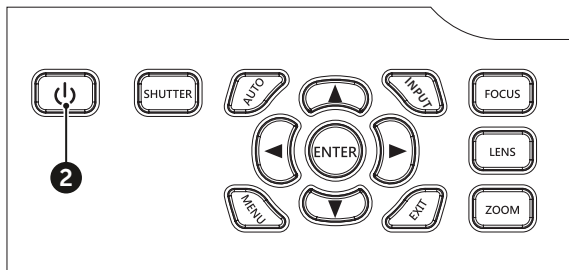


Image 5-2

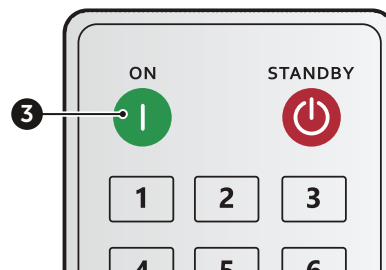


Image 5-3

The status LED (4) will flash orange. The startup screen will display and the status LED will turn to solid green.

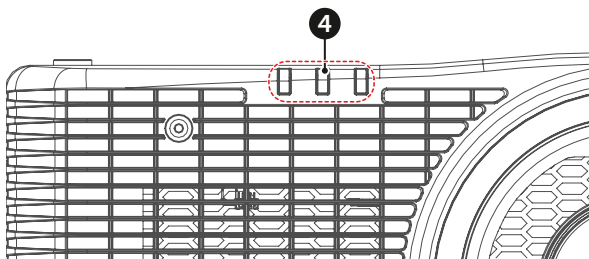



Image 5-4

3. Turn on your source. The projector detects the source you selected and displays the image.
 **Note:** If you connect multiple sources at the same time, press “Input” key on the control panel or on the remote control to switch inputs.



If this is the first time you powered up the projector, you will be prompted to select the projector language, projector orientation and other basic settings.



WARNING: Do not look directly into the lens when the projector is turned on. The strong light might cause permanent eye damage.

5.2 Powering off the projector

How to power the projector off

1. Press the POWER button (2) on the control panel or the OFF key (5) on the remote control.
A message will be prompted on screen to confirm if you want to turn off the projector.
2. Press the POWER button or OFF key again to confirm. If not, the message will disappear after 10 seconds and the projector will remain on.
The projector will go to standby mode.
3. Once the projector has entered standby mode and you want to turn the projector off completely, power off the AC switch.



Tip: If you still plan to use the projector in the foreseeable future, it is recommended to keep the projector in standby mode. Only turn off the projector completely if you want to physically move the projector, or if you do not plan on using the projector for the foreseeable future.



CAUTION: It is not recommended to turn the projector on immediately after powering off the projector.

Dimensional drawings

A

A.1	Dimensions of the projector	62
A.2	Ceiling mount information.....	63

A.1 Dimensions of the projector

Overview

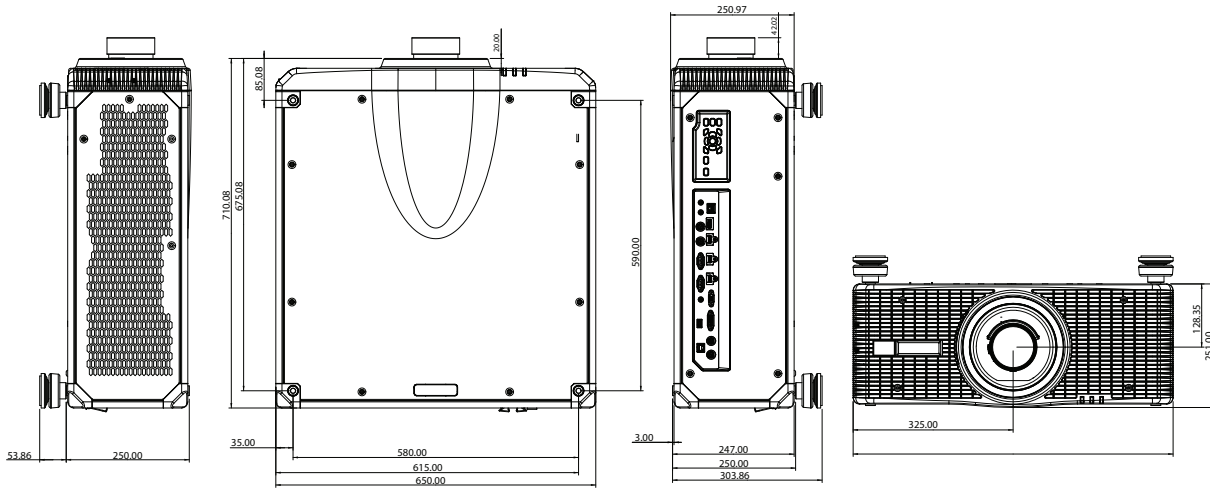


Image A-1

A.2 Ceiling mount information

Projector dimensions

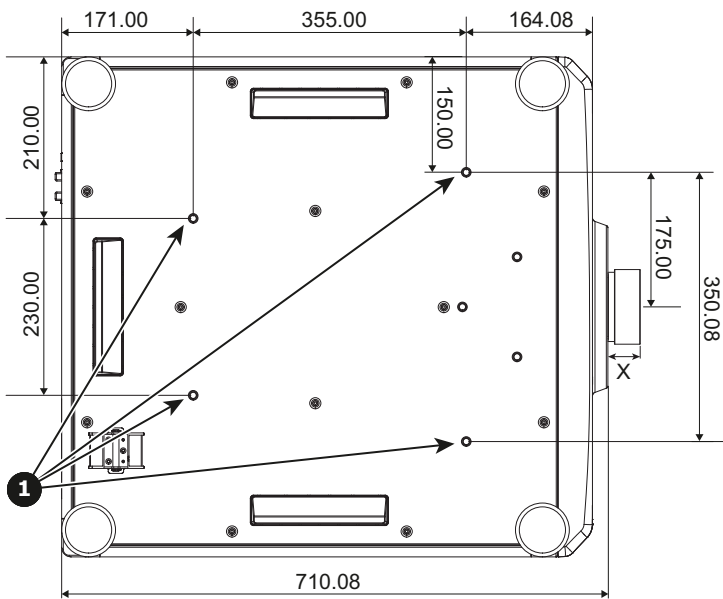


Image A-2 All dimensions given in mm

- 1 Mounting holes for ceiling mount
- X Distance between projector and end of lens

Lens type	Distance X (in mm)
R9802188	82.94
R9802181	53.12
R9802182	56.42
R9802183	56.79
R9802184	42.02
R9802185	76.23
R9802186	106.9
R9802187	143.32
R9801832	257.14

Ceiling mount information

To prevent damage to your projector, please use a Barco recommended ceiling mount. Ensure the screws used to install the mount to the projector meet the following specifications:

- Screw type: M8 x 4
- Minimum screw length: 18 mm



Damage resulting from incorrect installation will void the warranty.

Index

B

Box content 22

C

Ceiling mount 63
Control panel 27
Cooling requirements 20

D

Dimensions 63
 Projector 62
Download
 Projector Toolset 37

E

Electrical shock 10
Enclosed projection 18
Environment conditions 20

F

Fire hazard 11

G

General considerations 15
 Safety 8

H

Hazard Distance 16, 18
Hazardous Chemicals 13
HD for G100 Series
 Safety 9
High Brightness precautions 16

I

ID 43
Initial inspection
 Box content 22
Input/Output 26
Install
 Lens 42
 Procedures 39
Installation preparations 19
Installation requirements 20
 Clean air 20
 Environment conditions 20
Instructions
 Safety 10

L

Labels
 Safety 14
 Safety G100 14
Laser safety precautions G100 Series
 Safety 8
Lens offset 35
Lens selection 30
Lens specifications 32
Lenses 31
 Lens selection 30

M

Mechanical check 22

N

Notice on safety 8

O

Off axis 35
On axis 35

On/Off 57
Overview 28

P

Personal injury 10
Physical Installation 39
Position 29
Power 57
Power cord 41
Power off 59
Power on 58
Procedures
 Install 39
Projector
 Components 23
Projector Address 43
Projector damage 11
Projector Toolset 37

R

RCU
 Battery 40
Rear projection 18
Remote control
 Usage 44
RG3 15
Rigging frame 49
 Adapter plate 50
 Mounting the projector 52

S

Safety 7
 Battery explosion 12
 General considerations 8
 Hazard Distance 16, 18
 Hazardous Chemicals 13
 HD for G100 Series 9
 Instructions 10
 Labels 14
 Labels G100 14
 Laser safety precautions G100 Series 8
 Prevent electrical shock 10
 Prevent fire hazard 11
 Prevent personal injury 10
 Prevent projector damage 11
 Safety Data Sheet (SDS) 13
 Servicing 12
Safety Data Sheet (SDS) 13
Shift range 35
Software update 45
Specifications 61
Stacking 55

