

DATA SHEET



USB-C to VGA Travel Adapter

Connect a USB Type-C device to the VGA port of a monitor or projector to display video

OVERVIEW

The USB-C to VGA Travel Adapter is the perfect solution for connecting a device with a USB 3.1 Type-C connector to a projector or other display with a VGA input. With this adapter, you can rest easy knowing that you have the right connection you need while traveling or on the go.

Convenience

The compact, mobile design of this adapter and the convenient smart ring keychain make it perfect for BYOD (Bring Your Own Device) applications in any environment. Simply keep this adapter on your keychain or even in your pocket to be prepared for your next big meeting.

Performance

This adapter supports resolutions up to 1920 x 1080 at 60Hz, allowing it to deliver a high-quality video image to the connected display.

FEATURES

- Supports resolutions up to 1920 x 1080 at 60HZ
- DisplayPort Alt mode
- Smart ring keychain design
- Portable design
- Foldable USB-C cable
- Compatible with USB-C and Thunderbolt™ 3 ports
- Reversible, symmetrical USB-C connector

ITEM DESCRIPTION

26871

USB-C to VGA Travel Adapter

designed to be better.™



DATA SHEET

SPECIFICATIONS: USB-C to VGA Travel Adapter

VIDEO SPECIFICATIONS:

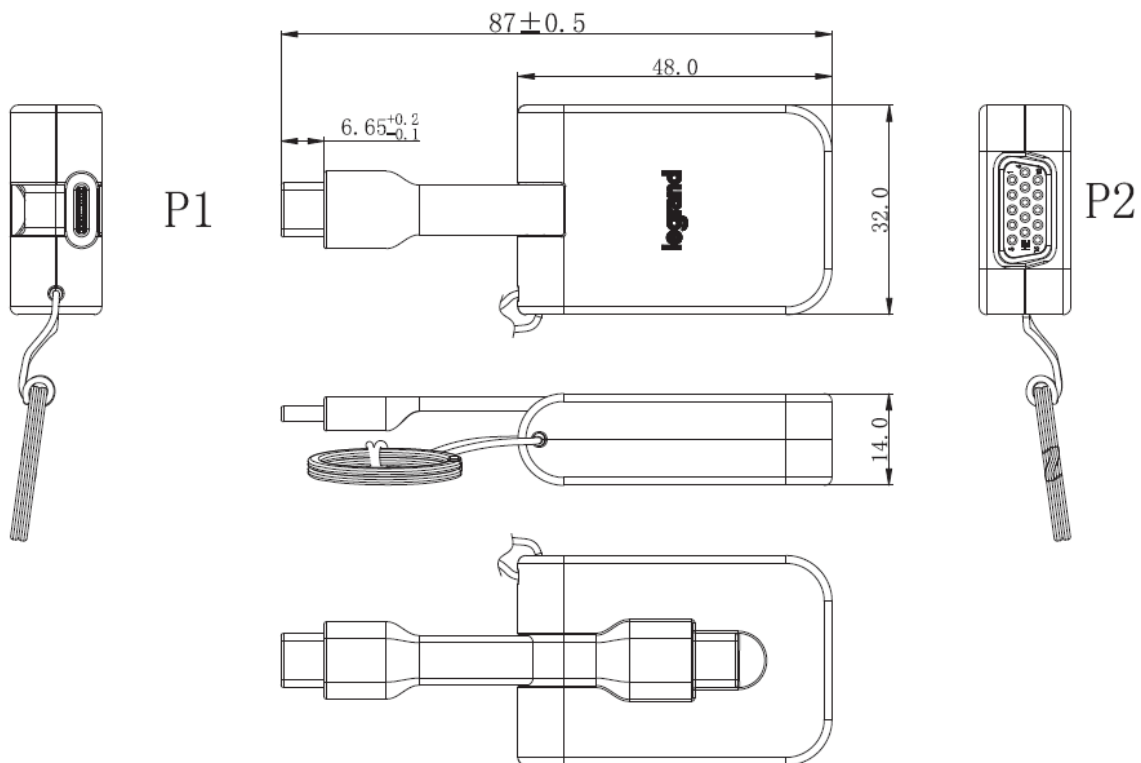
- Video Resolution: 1920x1080 60Hz
- DP ALT mode, DP1.1a spec.
- Support: DPCD V1.1

PHYSICAL SPECIFICATIONS:

- Operating Temperature: 0°C~50°C
- Storage Temperature: -25°C~70°C

PHYSICAL CHARACTERISTICS:

- Connector P1: Type-C/M, nickel plated
- Connector P2: Type-C to VGA F Black Core/Chip/Nickel Plated Connector
- Cable: Type-C Black, Type-C/M+FPC
- Shell P1: Type-C black, Type-C/M+FPC integrated (black fine grain)
- Shell P2: Molded Case/ABS Cover Black Type-C to VGA Cover/
Spraying Rubber Oil
- QC Inspection



6500 Poe Avenue
Dayton, OH 45414
Phone: 800.CABL.911
www.c2g.com

Follow Us

