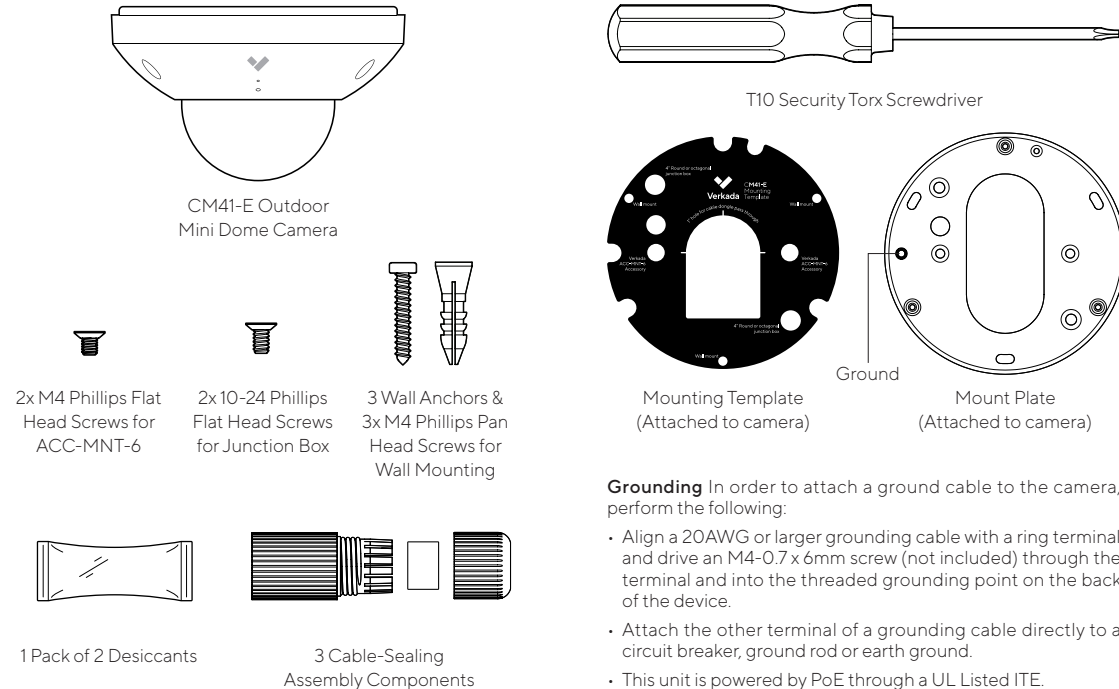


## What's in the box



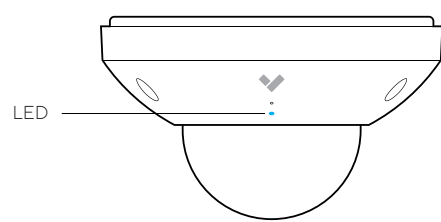
## What you'll need

- A working internet connection
- 802.3af Power over Ethernet (PoE) switch, or a PoE injector. For operation below -20° C, use 802.3at PoE.
- A smartphone or laptop
- A #2 Phillips screwdriver or power drill with a #2 Phillips driver bit
- ¼ inch (6.5mm) drill bit for wall anchors
- ⅛ inch (3mm) drill bit for pilot holes
- A Cat5 or Cat6 Ethernet cable with a 5.5-6.4mm outside diameter, no boot or jacket on the RJ45 jack
- 1" hole saw for Cable Sealing Assembly pass through

### Please note:

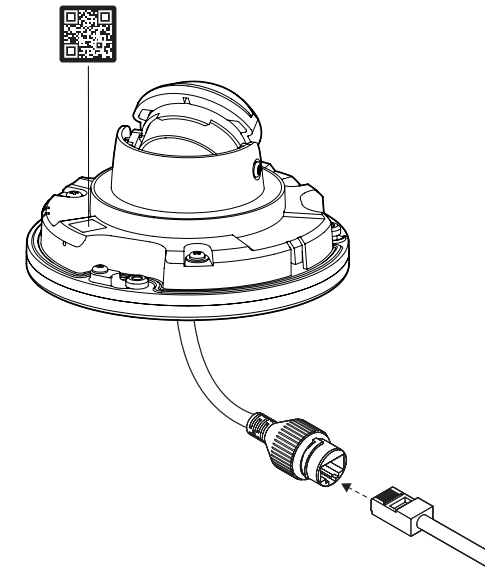
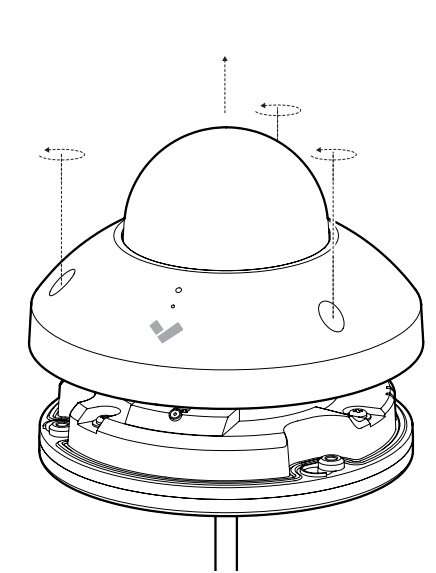
To reduce potential safety issues, only use the PoE adapter provided with the product, a replacement PoE adapter provided by Verkada, or a PoE adapter purchased as an accessory from Verkada.

## CM41-E LED Behavior



- Solid Orange**  
Camera is on and booting up.
- Flashing Orange**  
Camera is updating firmware.
- Flashing Blue**  
Camera is recording data but cannot reach the server.
- Solid Blue**  
Camera is running, connected, and recording data.

## CM41-E Connect



## Caution

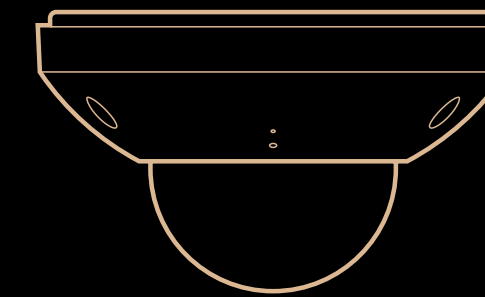
### Please note:

- Maintenance and repair work must always be carried out by qualified technical personnel. Disconnect power from the unit when performing a maintenance task.
- Wiring methods used for the connection of the equipment to earth shall be in accordance with the National Electrical Code, ANSI/NFPA 70, and the Canadian Electrical Code, Part 1, CSA C22.1.
- The product must be installed and protected in a location that is not easily accessible and is away from impacts or heavy vibration.
- The camera is only to be connected to PoE networks without routing to outside plants.
- If powered by a power adapter, the adapter should be properly grounded.
- Please contact certified dealers for power adapters.

## Support

Thank you for purchasing a Verkada camera. If for any reason things don't work right or you need assistance, please contact us immediately.

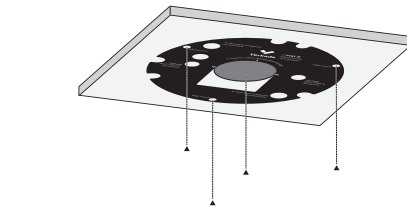
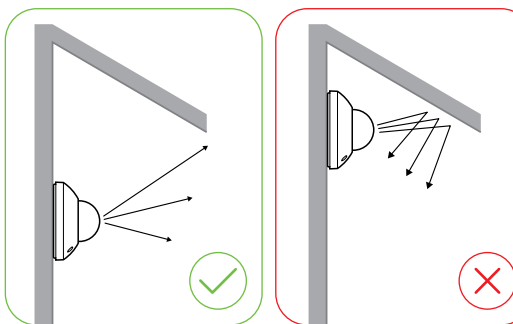
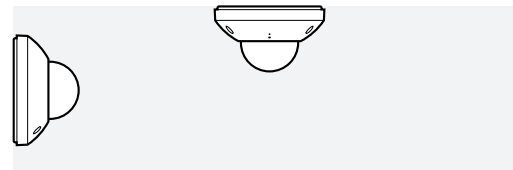
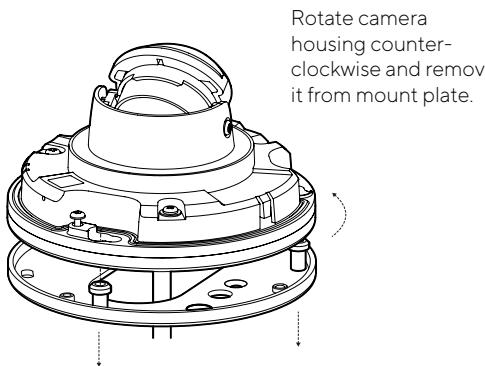
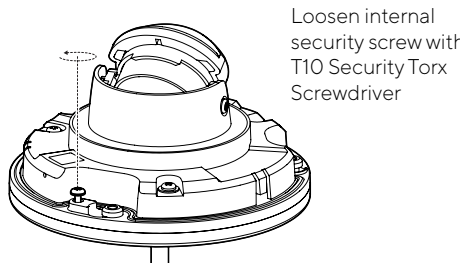
Sincerely,  
The Verkada Team  
[verkada.com/support](https://verkada.com/support)



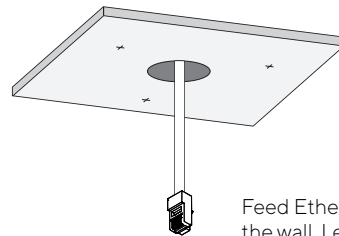
CM41-E  
Outdoor Mini Dome Camera

## CM41-E Mount

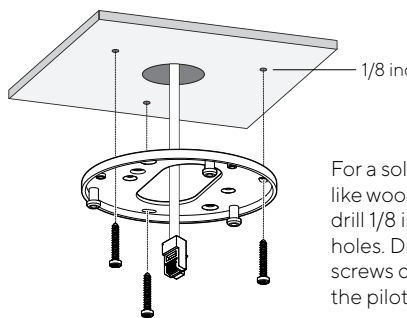
Please see "CM41-E Connect" prior to starting this section



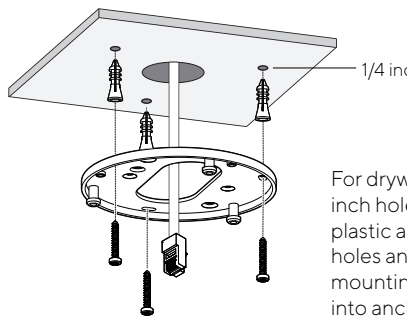
Use the provided mounting template to mark wall mount holes and to drill 1 inch center hole. For other mounting scenarios, use the mounting template to determine the correct hole pattern.



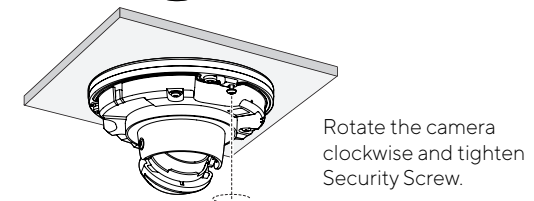
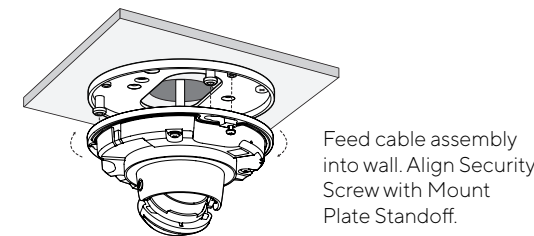
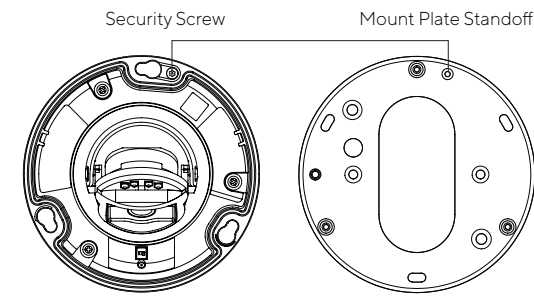
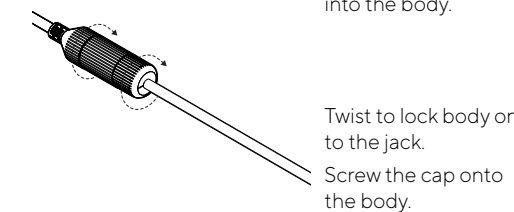
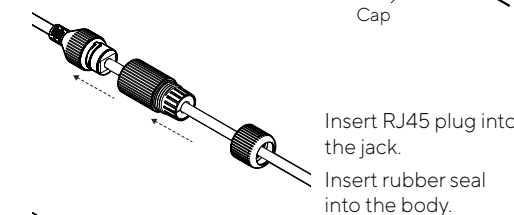
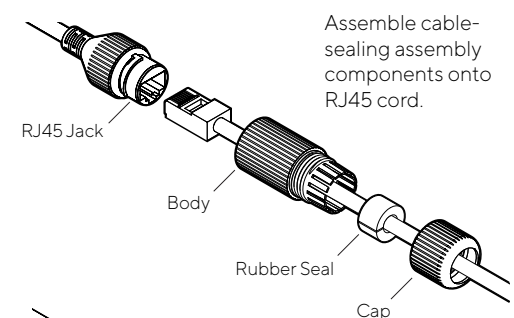
Feed Ethernet cable through the wall. Leave enough slack to make cable-sealing assembly install easier.



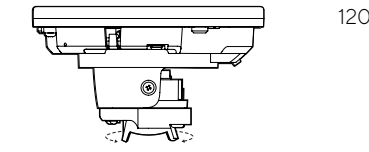
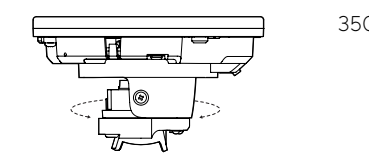
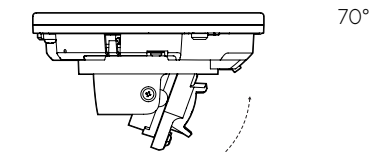
For a solid material like wood or metal, drill 1/8 inch pilot holes. Drive mounting screws directly into the pilot holes.



For drywall, drill 1/4 inch holes. Insert plastic anchors into holes and drive mounting screws into anchors.

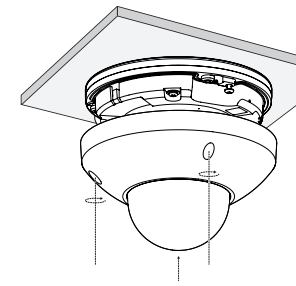
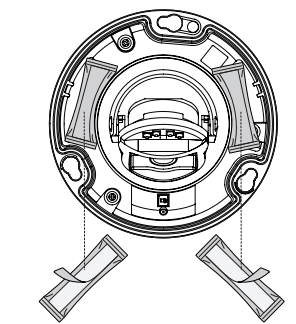


## CM41-E Adjust



Adjust your camera to the desired viewing angle. Use the online stream to confirm image orientation. Image can be flipped 90 or 180 degrees online in Command.

## CM41-E Secure



Remove film from the desiccant pack adhesive strips. Apply the adhesive side of both desiccant packs to the recesses that say "Center desiccant here." Ensure that no part of the desiccant pack extends beyond the camera body.

To secure the camera, align the top cover security holes with the mount plate and place the top cover back into its original position. Tighten the security screws using the provided screwdriver.