



Refrigerator

User manual

RT58*/RT62*

Free Standing Appliance

SAMSUNG

Contents

Safety information	3
Important safety symbols and precautions:	4
Severe warning signs for transportation and site	5
Critical installation warnings	5
Installation cautions	9
Critical usage warnings	9
Usage cautions	14
Cleaning cautions	16
Critical disposal warnings	18
Additional tips for proper usage	19
Saving Energy Tips	20
This appliance is intended to be used in household and similar applications such as	20
Instructions about the WEEE	21
Installation	22
Refrigerator at a glance	22
Step-by-step installation	24
Operations	29
Feature panel	29
Samsung Smart Home (applicable models only)	35
Special features	40
Maintenance	43
Handle and care	43
Cleaning	44
Replacement	44
Troubleshooting	45
General	45
Samsung Smart Home	47

Safety information

- Before using your new Samsung Refrigerator, please read this manual thoroughly to ensure that you know how to operate the features and functions that your new appliance offers safely and efficiently.
- This appliance is not intended for use by persons (including children) with reduced physical, sensory, or mental capabilities, or those who lack experience and knowledge, unless they have been given supervision or instruction concerning the use of the appliance by a person responsible for their safety.
- This appliance can be used by children aged from 8 years and above and persons with reduced physical, sensory or mental capabilities or lack of experience and knowledge if they have been given supervision or instruction concerning use of the appliance in a safe way and understand the hazards involved. Children shall not play with the appliance. Cleaning and user maintenance shall not be made by children without supervision.
- Warnings and Important Safety Instructions in this manual do not cover all possible conditions and situations that may occur. It is your responsibility to use common sense, caution, and care when installing, maintaining, and operating your appliance.
- Because these following operating instructions cover various models, the characteristics of your refrigerator may differ slightly from those described in this manual and not all warning signs may be applicable. If you have any questions or concerns, contact your nearest service center or find help and information online at www.samsung.com.
- R-600a or R-134a is used as a refrigerant. Check the compressor label on the rear of the appliance or the rating label inside the fridge to see which refrigerant is used for your refrigerator. When this product contains flammable gas (Refrigerant R-600a), contact your local authority in regard to safe disposal of this product.

Safety information

- In order to avoid the creation of a flammable gas-air mixture if a leak in the refrigerating circuit occurs, the size of the room in which the appliance may be sited depends on the amount of refrigerant used.
- Never start up an appliance showing any signs of damage. If in doubt, consult your dealer. The room must be 1 m³ in size for every 8 g of R-600a refrigerant inside the appliance.
The amount of refrigerant in your particular appliance is shown on the identification plate inside the appliance.
- Refrigerant squirting out of the pipes could ignite or cause an eye injury. When refrigerant leaks from the pipe, avoid any naked flames and move anything flammable away from the product and ventilate the room immediately.
 - Failing to do so may result in fire or explosion.
- It is hazardous for anyone other than an Authorised Service Person to service this appliance.

Important safety symbols and precautions:

WARNING

Hazards or unsafe practices that may result in **severe personal injury or death**.

CAUTION

Hazards or unsafe practices that may result in **minor personal injury or property damage**.

These warning signs are here to prevent injury to you and others.

Please follow them carefully.

After reading this section, keep it in a safe place for future reference.

Severe warning signs for transportation and site

WARNING

- When transporting and installing the appliance, care should be taken to ensure that no parts of the refrigerating circuit are damaged.
 - Refrigerant leaking from the pipe work could ignite or cause an eye injury. If a leak is detected, avoid any naked flames or potential sources of ignition and air the room in which the appliance is standing for several minutes.
 - This appliance contains a small amount of isobutane refrigerant (R-600a), a natural gas with high environmental compatibility that is, however, also combustible. When transporting and installing the appliance, care should be taken to ensure that no parts of the refrigerating circuit are damaged.

Critical installation warnings

WARNING

- Do not install the refrigerator in a damp location or place where it may come in contact with water.
 - Deteriorated insulation on electrical parts may cause an electric shock or fire.
- Do not place this refrigerator in direct sunlight or expose it to the heat from stoves, room heaters, or other appliances.

Safety information

- Do not plug several appliances into the same multiple power strip. The refrigerator should always be plugged into its own individual electrical outlet which has a voltage rating that matches the voltage listed on the refrigerator's rating plate.
 - This provides the best performance and also prevents overloading of house wiring circuits, which could cause a fire hazard from overheated wires.
- If the wall socket is loose, do not insert the power plug.
 - There is a risk of electric shock or fire.
- Do not use a power cord that has cracks or abrasion damage along its length or at either end.
- Do not bend the power cord excessively or place heavy objects on it.
- Do not pull or excessively bend the power cord.
- Do not twist or tie the power cord.
- Do not hook the power cord over a metal object, place a heavy object on the power cord, insert the power cord between objects, or push the power cord into the space behind the appliance.
- When moving the refrigerator, be careful not to roll over or damage the power cord.
 - This may result in an electric shock or fire.
- Never unplug your refrigerator by pulling on the power cord. Always grip the plug firmly and pull straight out from the outlet.
 - Damage to the cord may cause a short-circuit, fire, and/or electric shock.
- Do not store explosive substances such as aerosol cans with a flammable propellant in this appliance.
- Do not install this appliance near a heater or inflammable material.
- Do not install this appliance in a location where gas may leak.
 - This may result in an electric shock or fire.

-
- This refrigerator must be properly located and installed in accordance with the instructions in this manual before you use it.
 - Connect the power plug in the proper position with the cord hanging down.
 - If you connect the power plug upside down, the wire can get cut off and cause a fire or electric shock.
 - Make sure that the power plug is not crushed or damaged by the back of the refrigerator.
 - Keep the packing materials out of reach of children.
 - There is a risk of death from suffocation if a child puts the packing materials on his or her head.
 - The appliance must be positioned so that the plug is accessible after installation.
 - Failing to do so may result in an electric shock or fire due to electric leakage.
 - Do not install this appliance in a humid, oily or dusty location, in a location exposed to direct sunlight and water (rain drops).
 - Deteriorated insulation of electrical parts may cause an electric shock or fire.
 - If any dust or water is in the refrigerator, pull out power plug and contact your Samsung Electronics service center.
 - Otherwise there is a risk of fire.
 - Do not stand on top of the appliance or place objects (such as laundry, lighted candles, lighted cigarettes, dishes, chemicals, metal objects, etc.) on the appliance.
 - This may result in an electric shock, fire, problems with the product, or injury.
 - You need to remove all the protective plastic film before you initially plug the product in.

Safety information

- Children should be supervised to ensure that they do not play with the snap rings used for door adjustment or the water tube clips.
 - There is risk of death by suffocation if a child swallows a snap ring or water tube clip. Keep the snap rings and water tube clips out of children's reach.
- The refrigerator must be safely grounded.
 - Always make sure that you have grounded the refrigerator before attempting to investigate or repair any part of the appliance. Power leakages can cause severe electric shock.
- Never use gas pipes, telephone lines, or other potential lightning attractors as an electrical ground.
 - You must ground the refrigerator to prevent any power leakages or electric shocks caused by current leakage from the refrigerator.
 - This may result in an electric shock, fire, explosion, or problems with the product.
- Plug the power plug into the wall socket firmly. Do not use a damaged power plug, damaged power cord, or loose wall socket.
 - This may result in an electric shock or fire.
- If the power cord is damaged, have it replaced immediately by the manufacturer or one of its service agents.
- The fuse on the refrigerator must be changed by a qualified technician or service company.
 - Failing to do so may result in an electric shock or personal injury.

Installation cautions

CAUTION

- Allow sufficient space around the refrigerator and install it on a flat surface.
 - Keep the ventilation space in the appliance enclosure or mounting structure clear of obstructions.
- Allow the appliance to stand for 2 hours before loading foods after installation and turning on.
- We strongly recommend you have a qualified technician or service company install the refrigerator.
 - Failing to do so may result in an electric shock, fire, explosion, problems with the product, or injury.
- Overload on any one door may fell the refrigerator, causing physical injury.

Critical usage warnings

WARNING

- Do not insert the power plug into a wall socket with wet hands.
 - This may result in an electric shock.
- Do not store articles on the top of the appliance.
 - When you open or close the door, the articles may fall and cause personal injury and/or material damage.
- Do not insert hands, feet or metal objects (such as chopsticks, etc.) into the bottom or the back of the refrigerator.
 - This may result in an electric shock or injury.
 - Any sharp edges may cause a personal injury.
- Do not touch the inside walls of the freezer or products stored in the freezer with wet hands.
 - This may cause frostbite.

Safety information

- Do not put a container filled with water on the refrigerator.
 - If spilled, there is a risk of fire or electric shock.
- Do not keep volatile or flammable objects or substances (benzene, thinner, propane gas, alcohol, ether, LP gas, and other such products) in the refrigerator.
 - This refrigerator is for storing food only.
 - This may result in fire or explosion.
- Children should be supervised to ensure that they do not play with the appliance.
 - Keep fingers out of “pinch point” areas. Clearances between the doors and cabinet are necessarily small. Be careful when you open the doors if children are in the area.
- Do not let children hang on the door or door bins. A serious injury may occur.
- Do not let children go inside the refrigerator. They could become trapped.
- Do not insert your hands into the bottom area under the appliance.
 - Any sharp edges may cause personal injury.
- Do not store pharmaceutical products, scientific materials, or temperature sensitive products in the refrigerator.
 - Products that require strict temperature controls must not be stored in the refrigerator.
- Do not place or use electrical appliance inside the refrigerator/ freezer, unless they are of a type recommended by the manufacturer.
- If you smell pharmaceutical or smoke, pull out power plug immediately and contact your Samsung Electronics service center.
- If any dust or water is in Refrigerator, pull out power plug and contact your Samsung Electronics service center.
 - Otherwise there is a risk of fire.

-
- Do not let children step on a drawer.
 - The drawer may break and cause them to slip.
 - Do not leave the doors of the refrigerator open while the refrigerator is unattended and do not let children enter inside the refrigerator.
 - Do not allow babies or children go inside the drawer.
 - It can cause death from suffocation by entrapment or personal injury.
 - Do not overfill the refrigerator with food.
 - When you open the door, an item may fall out and cause personal injury or material damage.
 - Do not spray volatile material such as insecticide onto the surface of the appliance.
 - As well as being harmful to humans, it may also result in an electric shock, fire, or problems with the product.
 - Do not use or place any substances sensitive to temperature such as flammable sprays, flammable objects, dry ice, medicine, or chemicals near or inside of the refrigerator.
 - Do not use a hair dryer to dry the inside of the refrigerator. Do not place a lighted candle in the refrigerator for removing bad odours.
 - This may result in an electric shock or fire.
 - Fill the water tank, ice tray and water cubes only with potable water (mineral water or purified water).
 - Do not fill the tank with tea, juice or sports drink, this may damage the refrigerator.

Safety information

- Do not stand on top of the appliance or place objects (such as laundry, lighted candles, lighted cigarettes, dishes, chemicals, metal objects, etc.) on the appliance. This may result in an electric shock, fire, problems with the product, or injury. Do not put a container filled with water on the appliance.
 - If spilled, there is a risk of fire or electric shock.
- Do not use mechanical devices or any other means to accelerate the defrosting process, other than those recommended by the manufacturer.
- Do not damage the refrigerant circuit.
- Never stare directly at the UV LED lamp for long periods of time.
 - This may result in eye strain due to the ultraviolet rays.
- Do not put fridge shelf in upside down. Shelf stopper could not work.
 - It may cause a personal injury because of glass shelf drop.
- Keep fingers out of “pinch point” areas. Clearances between the doors and cabinet are necessarily small. Be careful when you open the doors if children are in the area.
- If a gas leak is detected, avoid any naked flames or potential sources of ignition, and air the room in which the appliance is standing for several minutes.
 - Do not touch the appliance or power cord.
 - Do not use a ventilating fan.
 - A spark may result in explosion or fire.
- Use only the LED Lamps provided by the manufacturer or its service agents.
- Bottles should be stored tightly together so that they do not fall out.
- This product is intended only for the storage of food in a domestic environment.

-
- Do not attempt to repair, disassemble, or modify the refrigerator yourself.
 - Unauthorized modifications can cause safety problems. To reverse an unauthorized modification, we will charge the full cost of parts and labor.
 - Do not use any fuse (such as cooper, steel wire, etc.) other than a standard fuse.
 - If your refrigerator needs to be repaired or reinstalled, contact your nearest service center.
 - Failing to do so may result in an electric shock, fire, problems with the product, or injury.
 - If the interior or exterior LED lamp has gone out, contact your nearest service center.
 - If the refrigerator emits a burning smell or smoke, unplug the refrigerator immediately and contact your Samsung Electronics service center.
 - Failing to do so may result in an electric or fire hazards.
 - Pull the power plug out of the socket before changing the interior lamps of the refrigerator.
 - Otherwise, there is a risk of electric shock.
 - If you experience difficulty changing a non-LED light, contact a Samsung service center.
 - If the product is equipped with LED lamps, do not disassemble the Lamp Covers and LED lamps yourself.
 - Contact a Samsung service center.
 - Plug the power plug into the wall socket firmly.
 - Do not use a damaged power plug, damaged power cord or loose wall socket.
 - This may result in an electric shock or fire.

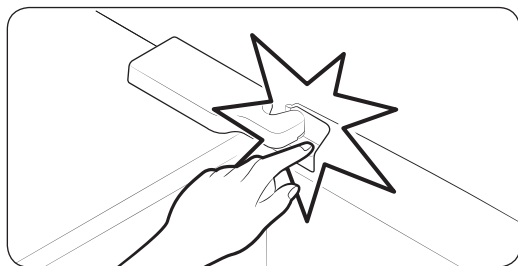
Safety information

Usage cautions

CAUTION

- Do not re-freeze frozen foods that have thawed completely. Do not place carbonated or fizzy drinks in the freezer compartment. Do not put bottles or glass containers in the freezer.
 - When the contents freeze, the glass may break and cause personal injury.
- Use only the ice maker provided with the refrigerator.
- To get the best performance from the product:
 - Do not place food too close to the vents at the rear of the refrigerator as this can obstruct free air circulation in the refrigerator compartment.
 - Wrap food up properly or place it in airtight containers before putting it into the refrigerator.
 - Do not place glass bottles or carbonated beverages into the freezer. They can freeze and break. Broken beverage containers can cause injury.
 - Please observe maximum storage times and expiration dates of frozen goods.
- Do not place glass or bottles or carbonated beverages into the freezer.
 - The container may freeze and break, and this may result in injury.
- Do not place carbonated or fizzy drinks in the freezer compartment. Do not put bottles or glass containers in the freezer.
 - When the contents freeze, the glass may break and cause personal injury and property damage.

- Service Warranty and Modification.
 - Any changes or modifications performed by a 3rd party on this finished appliance are not covered under Samsung warranty service, nor is Samsung responsible for safety issues that result from 3rd party modifications.
- Do not block the air vents inside the refrigerator.
 - If the air vents are blocked, especially with a plastic bag, the refrigerator can be over cooled. If a cooling period lasts too long, the water filter may break and cause water leakage.
- Use only the ice-maker provided with the refrigerator.
- Wipe excess moisture from the inside and leave the doors open.
 - Otherwise, odor and mold may develop.
- If the refrigerator is disconnected from the power supply, you should wait for at least five minutes before plugging it back in.
- When the refrigerator got wet by water, pull out the power plug and contact your Samsung Electronics service center.
- Do not strike or apply excessive force to any glass surface.
 - Broken glass may result in a personal injury and/or property damage.
- Fill the water tank and ice cube trays with potable water only (tap water, mineral water, or purified water).
 - Do not fill the tank with tea or a sports drink. This may damage the refrigerator.



- Be careful that your fingers are not caught in.

Safety information

- The lamps in the freezer and refrigerator can be turned off if the doors of the freezer and refrigerator are left open for 2 seconds or longer.
 - The lamps will turn back on when the doors are closed and opened again.
- If the refrigerator is flooded, make sure to contact your nearest service center.
 - There is a risk of electric shock or fire.
- Do not keep vegetable oil in your refrigerator's door bins. The oil can solidify, making it foul-tasting and difficult to use. In addition, the open container can leak and the leaked oil can cause the door bin to crack. After opening an oil container, it is best to keep the container in a cool and shaded place such as a cupboard or pantry.
 - Examples of vegetable oil: olive oil, corn oil, grape-seed oil, etc.

Cleaning cautions

CAUTION

- Do not spray water directly on the inside or outside the refrigerator.
 - There is a risk of fire or electric shock.
- Do not use a hair dryer to dry the inside of the refrigerator.
- Do not place a lighted candle in the refrigerator to remove bad odors.
 - This may result in an electric shock or fire.
- Do not spray cleaning products directly on the display.
 - Printed letters on the display may come off.
- If any foreign substance such as water has entered the appliance, unplug the power plug and contact your nearest service center.
 - Failing to do so may result in an electric shock or fire.

-
- Use a clean, dry cloth to remove any foreign matter or dust from the power plug blades. Do not use a wet or damp cloth when cleaning the plug.
 - Otherwise, there is a risk of fire or electric shock.
 - Do not clean the appliance by spraying water directly onto it.
 - Do not use benzene, thinner, or Clorox, Chloride for cleaning.
 - They may damage the surface of the appliance and may cause a fire.
 - Never put fingers or other objects into the dispenser hole.
 - It may cause a personal injury or material damage.
 - Before cleaning or performing maintenance, unplug the appliance from the wall socket.
 - Failing to do so may result in an electric shock or fire.
 - Use a clean sponge or soft cloth and a mild detergent in warm water to clean the refrigerator.
 - Do not use abrasive or harsh cleansers such as window sprays, scouring cleansers, flammable fluids, muriatic acid, cleaning waxes, concentrated detergents, bleaches, or cleansers containing petroleum products on exterior surfaces (doors and cabinet), plastic parts, door and interior liners, and gaskets.
 - These can scratch or damage the material.
 - Do not clean glass shelves or covers with warm water when they are cold. Glass shelves and covers may break if exposed to sudden temperature changes or impacts such as bumping or dropping.

Safety information

Critical disposal warnings

WARNING

- Please dispose of the packaging material from this product in an environmentally friendly manner.
- Ensure that none of the pipes on the back of the refrigerator are damaged prior to disposal.
- R-600a or R-134a is used as a refrigerant. Check the compressor label on the rear of the appliance or the rating label inside the fridge to see which refrigerant is used for your refrigerator. If this refrigerator contains flammable gas (Refrigerant R-600a), contact your local authority in regard to safe disposal of this product.
- When disposing of this refrigerator, remove the door/door seals and door latch so that small children or animals cannot become trapped inside. Children should be supervised to ensure that they do not play with the appliance. If trapped inside, a child may get hurt or suffocate to death.
 - If trapped inside, the child may become injury and suffocate to death.
- Cyclopentane is used in the insulation. The gases in the insulation material require a special disposal procedure. Please contact your local authorities in regard to the environmentally safe disposal of this product.
- Keep all packaging materials well out of the reach of children, as packaging materials can be dangerous to children.
 - If a child places a bag over his or her head, the child could suffocate.

Additional tips for proper usage

- In the event of a power failure, call the local office of your electric company and ask how long the failure is going to last.
 - Most power failures that are corrected in an hour or two will not affect your refrigerator temperatures. However, you should minimize the number of door openings while the power is off.
 - Should the power failure last more than 24 hours, remove and discard all frozen food.
- The refrigerator might not operate consistently (frozen contents can thaw or temperatures can become too warm in the frozen food compartment) if sited for an extended period of time in a location where ambient air temperatures are constantly below the temperatures for which the appliance is designed.
- In case of particular foods, keeping it under refrigeration can have a bad effect on preservation due to its properties.
- Your appliance is frost free, which means there is no need to manually defrost your appliance. This will be carried out automatically.
- Temperature rise during defrosting complies with ISO requirements. If you want to prevent an undue rise in the temperature of frozen food while the appliance defrosts, wrap the frozen food in several layers of newspaper.
- Do not re-freeze frozen foods that have thawed completely.
- The temperature of two star section (sections) or compartment (compartments) which have two star symbol (☆☆) is slightly higher than other freezer compartment (compartments).
The two star section (sections) or compartment (compartments) is (are) based on the instruction and/or the condition as delivered.



Safety information

Saving Energy Tips

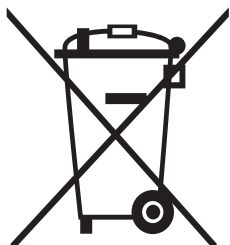
- Install the appliance in a cool, dry room with adequate ventilation. Ensure that it is not exposed to direct sunlight and never put it near a direct source of heat (a radiator, for example).
- Not to block any vents and grilles is recommended for energy efficiency.
- Allow warm food to cool down before placing it in the appliance.
- Put frozen food in the refrigerator to thaw. You can then use the low temperatures of the frozen products to cool food in the refrigerator.
- Do not keep the door of the refrigerator open for too long when putting food in or taking food out. The shorter the time the door is open, the less frost build-up you'll have in the freezer.
- It is recommended to install the refrigerator with clearance to the back and sides. This will help reduce power consumption and keep your energy bills lower.
- For the most efficient use of energy, please keep the all inner fittings such as baskets, drawers, shelves on the position supplied by manufacturer.

This appliance is intended to be used in household and similar applications such as

- staff kitchen areas in shops, offices and other working environments;
- farm houses and by clients in hotels, motels and other residential type environments;
- bed and breakfast type environments;
- catering and similar non-retail applications.



Instructions about the WEEE



Correct Disposal of This Product (Waste Electrical & Electronic Equipment)

(Applicable in countries with separate collection systems)

This marking on the product, accessories or literature indicates that the product and its electronic accessories (e.g. charger, headset, USB cable) should not be disposed of with other household waste at the end of their working life. To prevent possible harm to the environment or human health from uncontrolled waste disposal, please separate these items from other types of waste and recycle them responsibly to promote the sustainable reuse of material resources.

Household users should contact either the retailer where they purchased this product, or their local government office, for details of where and how they can take these items for environmentally safe recycling.

Business users should contact their supplier and check the terms and conditions of the purchase contract. This product and its electronic accessories should not be mixed with other commercial wastes for disposal.

Installation

Follow these instructions carefully to ensure a proper installation of this refrigerator and to prevent accidents before using it.

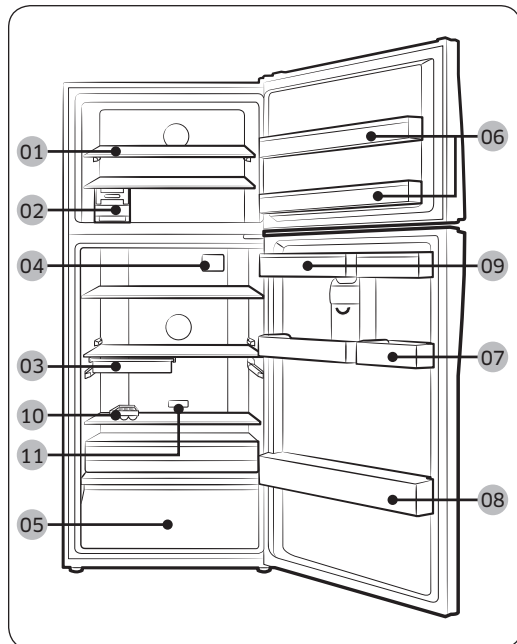
⚠ WARNING

- Use the refrigerator only for its intended purpose as described in this manual.
- Any servicing must be performed by a qualified technician.
- Dispose of the product packaging material in compliance with the local regulations.

Refrigerator at a glance

📄 NOTE

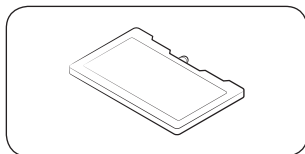
The actual image and provided component parts of the refrigerator may differ, depending on the model and the country.



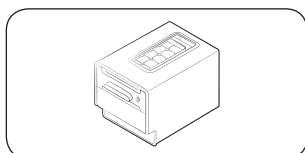
- 01** Shelf-Fre
- 02** Ice Maker
- 03** Deli Bin *
- 04** A/Bacteria Protector *
- 05** Vegetable Box *
- 06** Guard Low
- 07** Variety Guard
- 08** Bottle Guard
- 09** Water Tank *
- 10** Guard-Egg
- 11** Deodorizer *

* applicable models only

Optional accessories *



Cool pack: This helps keep the refrigerator cool.



Twist Ice Maker: Used to make ice.

* Your refrigerator may not include optional accessories listed above. Provision of optional accessories depends on the model and the country.

To secure more room for storage in the freezer compartment

Remove the ice maker, which can be detached manually without a tool.

- Removal of the ice maker does not affect thermal and mechanical performance of the freezer.

For best energy efficiency, make sure all of shelves, drawers, and baskets are placed in their original position.

Installation

Step-by-step installation

STEP 1 Select a site

Site requirements:

- Solid, level surface without carpeting or flooring that may obstruct ventilation
- Away from direct sunlight
- Adequate room for opening and closing the door
- Away from a heat source
- Room for maintenance and servicing
- Temperature range: between 10 °C and 43 °C

Effective temperature range

The refrigerator is designed to operate normally in the temperature range specified by its class rating.

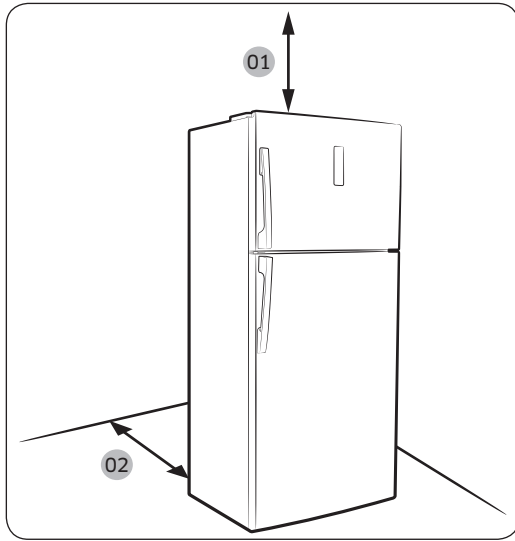
Class	Symbol	Ambient Temperature range (°C)	
		IEC 62552 (ISO 15502)	ISO 8561
Extended Temperate	SN	+10 to +32	+10 to +32
Temperate	N	+16 to +32	+16 to +32
Subtropical	ST	+16 to +38	+18 to +38
Tropical	T	+16 to +43	+18 to +43

NOTE

The cooling performance and power consumption of the refrigerator may be affected by the ambient temperature, the door-opening frequency, and the location of the refrigerator. We recommend adjusting the temperature settings as appropriate.

Clearance

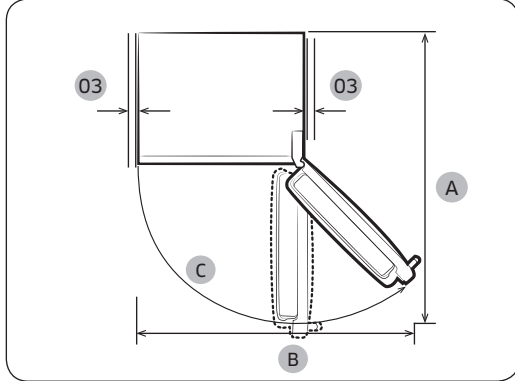
See the pictures and table below for space requirements for installation.



Model	A	B	C
RT58	1507	1352	120°
RT62	1507	1352	120°

(unit: mm)

- 01** 100 mm
- 02** 50 mm
- 03** at least 50 mm



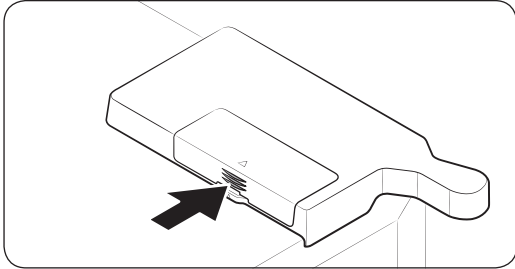
STEP 2 WiFi connection

You can control the refrigerator remotely using the Smart Home Dongle that is sold separately. To purchase the Smart Home Dongle, visit www.samsung.com and follow the product information about the dongle.

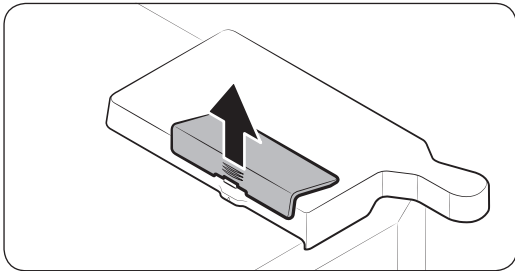
⚠ CAUTION

- The Samsung Smart Home Dongle comes in two types: one that is dedicated to Samsung smart TVs, and the other one that is dedicated to Samsung home appliances.
- You must purchase the Samsung Smart Home Dongle dedicated to home appliances. Any other dongles may cause system failure.

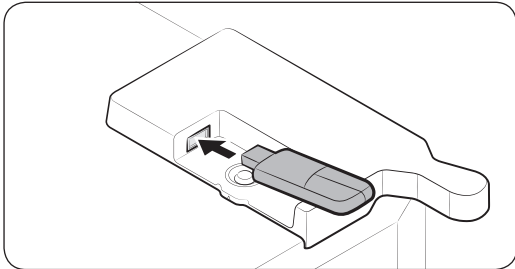
Installation



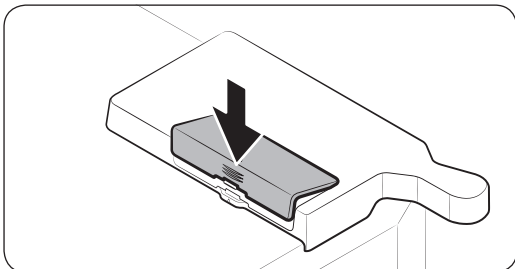
1. Press to unlock the arrow area of the dongle cover.



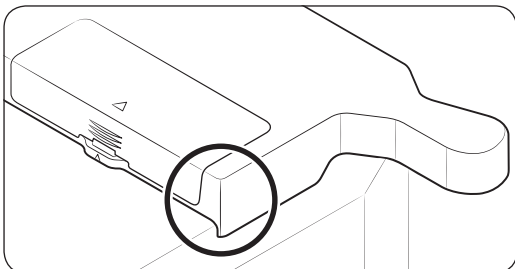
2. Open up the dongle cover.



3. Insert the Smart Home Dongle into the dongle port in the correct direction.



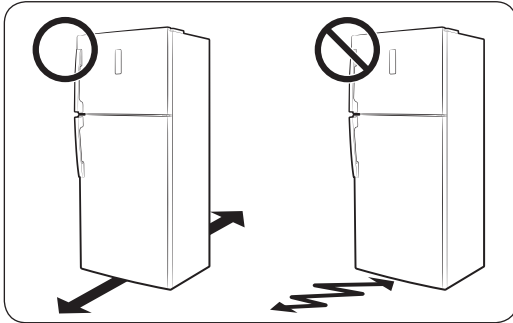
4. Insert the upper area of the dongle cover first, and then close to lock as shown.



 **NOTE**

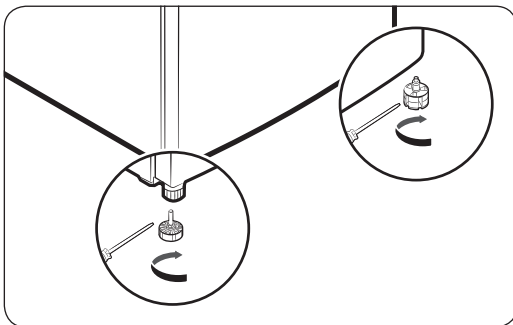
The marked area is the cover of the optional dongle, not a crack or defect.

STEP 3 Flooring

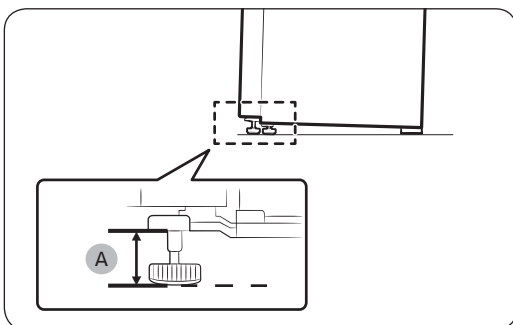


- The surface to install the refrigerator must support a fully loaded refrigerator, or approximately 100 kg.
- To protect the floor, put a large piece of cardboard on each leg of the refrigerator.
- Once the refrigerator is in its final position, do not move it unless necessary to protect the floor. If you have to, use a thick paper or cloth such as old carpets along the movement path.

STEP 4 Adjust the levelling feet



Level the refrigerator by manually adjusting the levelling feet. Turn the levelling feet clockwise to lower the position, or turn counter clockwise to raise.



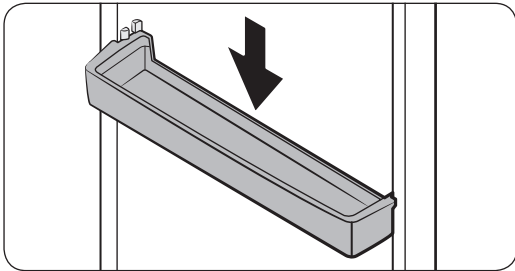
Leave the feet at least 35 mm (A) from the floor as shown.

Installation

STEP 5 Unpack and put accessories in place (applicable models only)

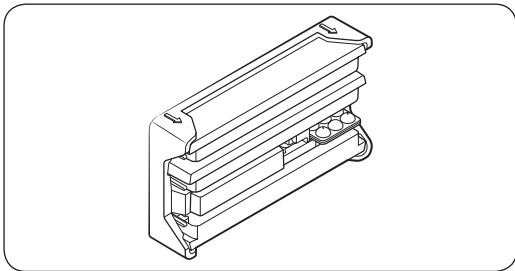
The accessories that ship with this refrigerator are properly packed for transportation and safety reasons. Unpack those accessories and put them in place.

Door guards



There are door guards provided with the product. Insert door guards each to the freezer and the fridge.

If you want to use the egg tray, make sure it is put in the fridge or inserted in the door guard.



STEP 6 Initial settings

By completing the following steps, the refrigerator should be fully functioning.

1. Plug the power cord into the wall socket to turn the refrigerator on.
2. Open the door, and check if the interior light lights up.
3. Set the temperature to the coldest, and wait for about an hour. Then, the freezer will be slightly chilled, and the motor will run smoothly.
4. Wait until the refrigerator reaches the set temperature. Now the refrigerator is ready for use.

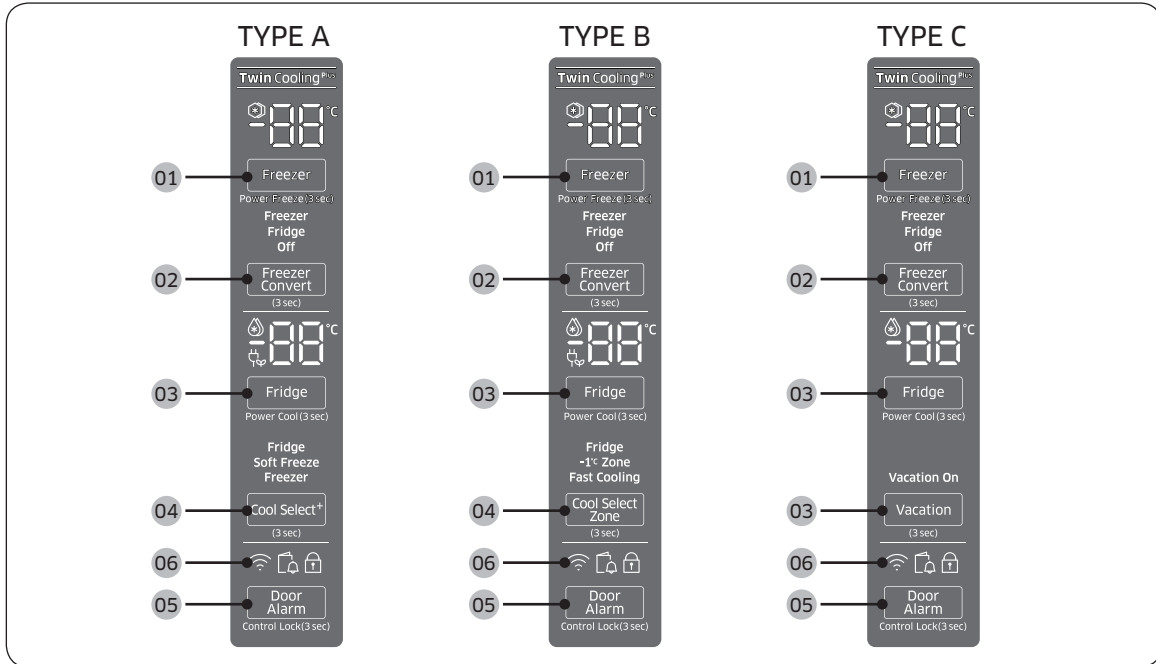
STEP 7 Final check

When installation is complete, confirm that:

- The refrigerator is plugged into an electrical outlet and grounded properly.
- The refrigerator is installed on a flat, level surface with a reasonable clearance from the wall or the cabinet.
- The refrigerator is level and is sitting firmly on the floor.
- The door opens and closes freely, and the interior light turns on automatically when you open the door.

Operations

Feature panel



01 Freezer / Power Freeze

02 Freezer Convert

03 Fridge / Power Cool /
Vacation

04 Cool Select+ / Cool
Select Zone (Type A and
Type B models only)

05 Door Alarm / Control
Lock

06 Network connection
(applicable models only)


Operations

01 Freezer / Power Freeze

Freezer	<p>The Freezer button can be used to set the freezer temperature. Available temperatures are between -15 °C and -23 °C.</p> <p>⚠ CAUTION</p> <ul style="list-style-type: none">• To prevent system failure or food spoiling, do not set the temperature to -15 °C in summer (above 35 °C).• Do not store glass bottles containing liquid in the freezer. Glass bottles will crack or break into pieces when the liquid freezes.
Power Freeze	<p>Power Freeze speeds up the freezing process at maximum fan speed. The freezer keeps running at full speed for several hours and then returns to the previous temperature.</p> <ul style="list-style-type: none">• To activate Power Freeze, press and hold Freezer for 3 seconds. The corresponding indicator (❄) lights up, and the refrigerator will speed up the cooling process for you.• To deactivate, press and hold Freezer again for 3 seconds. The freezer returns to the previous temperature setting.• To freeze large amounts of food, activate Power Freeze for at least 20 hours before putting food in the freezer.• The freezer keeps running at full speed for 50 hours and then returns to the previous temperature. <p>📄 NOTE</p> <p>Using Power Freeze increases power consumption. Make sure you turn it off and return to the previous temperature if you do not intend to use it.</p>



02 Freezer Convert

<p>Freezer Convert</p>	<p>You can use the entire refrigerator with Fridge mode, or turn off the freezer.</p> <p>To change the default freezer mode, press and hold Freezer Convert for 3 seconds to enter the selection mode. Then, press Freezer Convert to select a desired mode.</p> <p>The mode changes in this sequence: Fridge → Off → Freezer → Off → Fridge setting mode.</p> <ul style="list-style-type: none"> • If you select Fridge, the Fridge indicator turns on. Power Freeze will be deactivated if active, and Ice On will turn off if enabled. • If you select Off, the Off indicator turns on. The freezer will be turned off. • If you select Freezer, the Freezer indicators turns on for your selection. The default freezer temperature is -19 °C. <p>Your changes will be set and activated after 10 seconds. To cancel or change the mode again, press and hold Freezer Convert again for 3 seconds. Then, follow the instructions as mentioned above.</p> <p> NOTE</p> <ul style="list-style-type: none"> • If you press and hold Freezer Convert for 3 seconds, the refrigerator switches to selection mode where you can press Freezer Convert to select a different mode. • When refrigeration or freezing functions are at 'Off mode', the temperature of the fridge or freezer remains under 15 °C to prevent mold and odors, using low electricity. • Fridge or Freezer cannot be powered off independently. • Do not store food or beverage in refrigerator when refrigeration or freezing functions are at 'Off mode'. 15 °C is not cool enough to prevent spoilage.
------------------------	---

WARNING

- Do not put glass bottles containing liquid in the freezer. When cancelling Freezer Convert, the glass bottles may break or burst in the freezer.
- Make sure to remove frozen foods from the freezer before enabling the Freezer Convert. Frozen foods melt and spoil as the temperature increases (Freezer mode changes to Fridge mode).
- Make sure to remove chilled foods from the freezer before disabling the Freezer Convert. Chilled foods may freeze as the temperature decreases (Fridge mode changes to Freezer mode).







Operations

NOTE

If you want to use Freezer Convert, it is strongly recommend to use plastic containers to store food, especially vegetables.

03 Fridge / Power Cool / Vacation

Fridge	<p>To adjust the fridge temperature, press Fridge to select the corresponding temperature. You can change the temperature between 1 °C and 7 °C (default: 3 °C).</p> <p> CAUTION</p> <ul style="list-style-type: none">• In winter, do not set the temperature control to 1 °C. This may cause problems with the cooling performance.• In summer, do not set the temperature control to 5-7 °C. This may also cause problems with the cooling performance.
Power Cool	<p>Power Cool speeds up the cooling process at maximum fan speed. The fridge keeps running at full speed for several hours and then returns to the previous temperature.</p> <ul style="list-style-type: none">• To activate Power Cool, press and hold Fridge for 3 seconds. The corresponding indicator (🔆) lights up, and the refrigerator will speed up the cooling process for you.• To deactivate Power Cool, press and hold Fridge again for 3 seconds. The fridge returns to the previous temperature setting. <p> NOTE</p> <p>Using Power Cool increases power consumption. Make sure you turn it off and return to the previous temperature if you don't intend to use it.</p>

<p>Vacation</p>	<p>If you are going on vacation or a business trip, or if you do not intend to use the fridge for an extended time, use the Vacation mode.</p> <p>(Type A and Type B models only)</p> <ul style="list-style-type: none"> To activate Vacation mode, press Fridge with the 1 °C indicator selected. The vacation indicator () turns on while the display of the fridge temperatures will turn off. The display of Type A (Cool Select+) and Type B (Cool Select Zone) models also turns off. The fridge temperature will be controlled under 15 °C, but the freezer remains active as previously set. To deactivate Vacation mode, press Fridge again. The fridge temperature will restore the 7 °C. Note that Type A (Cool Select+) and Type B (Cool Select zone) models return to the temperature settings of the fridge. <p>(Type C models only)</p> <ul style="list-style-type: none"> To activate Vacation mode, press and hold Vacation for 3 seconds. The Vacation On indicator turns on while the display of the fridge temperatures will turn off. The fridge temperature will be controlled under 15 °C, but the freezer remains active as previously set. To deactivate Vacation mode, press and hold Vacation again for 3 seconds. The fridge temperature will return to the previous setting. <p> NOTE</p> <p>It is strongly recommended to empty the fridge compartment and make sure the door is closed.</p> <p>For Cool Select+/Cool Select Zone models, Vacation mode is controlled under 15 °C just like the fridge settings. However, the relevant indicator turns off, depending on the model.</p>
-----------------	--

04 Cool Select+ / Cool Select Zone

<p>Cool Select+ (TYPE A)</p>	<p>Press and hold Cool Select+ for 3 seconds. Then, press again to select a desired mode. The corresponding indicator turns on.</p> <ul style="list-style-type: none"> Fridge If selected, the Cool Select Zone will be set to 3 °C. Soft Freeze If selected, the Cool Select Zone will be set to -5 °C. This is useful to store meat and/or fishery for an extended time. Freezer If selected, the Cool Select Zone will be set to -12 °C. This is useful to keep frozen vegetables for an extended time.
----------------------------------	---

Operations

Cool Select Zone (TYPE B)	<p>Press and hold Cool Select Zone for 3 seconds. Then, press again to select a desired mode. The corresponding indicator turns on.</p> <ul style="list-style-type: none"> • Fridge If selected, the Cool Select Zone will be set to 3 °C. • -1 °C Zone If selected, the Cool Select Zone will be set to -1 °C. This is useful to store perishable foods. • Fast Cooling Select this if you want to fast cool foods. The Cool Select Zone will cool foods at max speed for 60 minutes.
---------------------------	---

05 Door Alarm / Control Lock

Door Alarm	<p>You can set the alarm for a reminder. If the door is left open for more than 2 minutes, the alarm will sound with the Alarm indicator blinking. You can toggle to enable and disable the alarm by pressing Door Alarm. The alarm is enabled by factory default.</p>
Control Lock	<p>To prevent accidental manipulation, press and hold Door Alarm for 3 seconds to activate the Control Lock. All controls will be disabled with the indicator (🔒) on.</p> <p>To deactivate, press and hold again for 3 seconds. The controls will be enabled as normal.</p>
Device authentication	<p>When connecting the refrigerator to Samsung Smart Home App or Samsung smart devices such as Samsung Smart TVs, follow the app's or device's onscreen instructions and press and hold Door Alarm for 5 seconds. The temperature panel displays "on" for 5 seconds before proceeding with the authentication procedure. Note that the Door Alarm function will be not affected by this authentication.</p>

06 Network connection (applicable models only)

You can use the optional Smart Home Dongle (sold separately) to control and monitor your refrigerator through the Samsung Smart Home app. For more information about Samsung Smart Home, see the Samsung Smart Home section.

NOTE

- Recommended encryption systems include WPA/TKIP and WPA2/AES. Any newer or unstandardized Wi-Fi authentication protocols are not supported.
- Wireless networks may be affected by the surrounding wireless communication environment.
- If your Internet service provider has registered the MAC address of your PC or modem for identification, your Samsung Smart Refrigerator may fail to connect to the Internet. If this happens, contact your Internet service provider for technical assistance.
- The firewall settings of your network system may prevent your Samsung Smart Refrigerator from accessing the Internet. Contact your Internet service provider for technical assistance. If this symptom continues, contact a local Samsung service center or retailer.
- To configure the wireless access point (AP) settings, see the user manual of the AP.
- Samsung Smart Refrigerators featuring the Samsung Smart Home Dongle support both Wi-Fi 2.4 GHz with IEEE 802.11 b/g/n and Soft-AP protocols (IEEE 802.11 n is recommended).
- Unauthorized Wi-Fi wireless routers may fail to connect to applicable Samsung Smart Refrigerators.

Samsung Smart Home (applicable models only)

Installation

Visit the Google Play Store, Galaxy Apps, or Apple App Store and search for “Samsung Smart Home”. Download and install the Samsung Smart Home app provided by Samsung Electronics to your smart device.

NOTE

- The Samsung Smart Home app is designed for Android 4.0 (ICS) or higher, or iOS 7.0 or higher, and is optimized for Samsung smartphones (Galaxy S and Galaxy Note series). On other smartphone models, some functions may operate differently.
- For improved performance, the Samsung Smart Home app is subject to change without notice, or discontinued support according to the manufacturer’s policy.

Samsung account

You are required to register your Samsung account to use the app. If you don’t have a Samsung account, follow the app’s onscreen instructions to create a free Samsung account.

Operations

Getting started

1. Insert the Smart Home Dongle into the corresponding port of your refrigerator.
2. Run the Samsung Smart Home app and log in with your Samsung account. iPhone users are required to provide the login information each time they access the app.
3. Access **Device** > the + icon, and then tap **Refrigerator**.
4. Follow the onscreen instructions to provide the necessary information about the router, and then tap **Next**.
5. Press and hold **Fridge** for more than 5 seconds until the "AP" message appears on the display. Your refrigerator will be registered with the app.
6. When the device registration is complete, the refrigerator icon will appear on the Samsung Smart Home app.
7. Tap the refrigerator icon to open the refrigerator page.
8. When a network connection is established, the Wi-Fi icon lights up on your refrigerator.

Refrigerator app

Integrated control

You can monitor and control your refrigerator at home as well as while on the move.

- Tap the refrigerator icon on the Samsung Smart Home to open the refrigerator page.
- Check the operation status or notification of your refrigerator, and change options or settings if necessary.

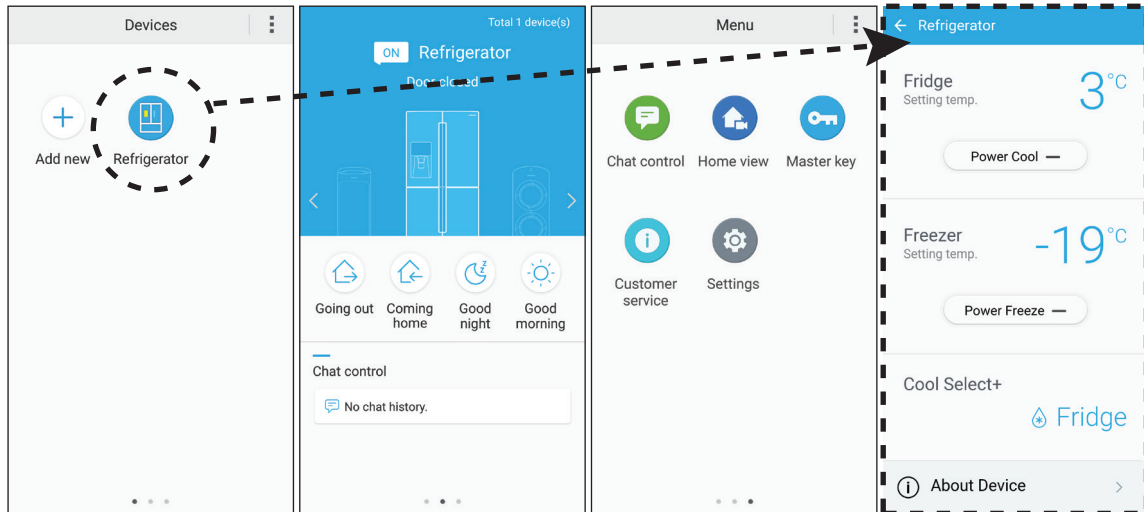
NOTE

Some options or settings of the refrigerator may not be available for remote control.

Key features

Register Samsung smart home appliances to the Samsung Smart Home server for remote access.

Menu overview

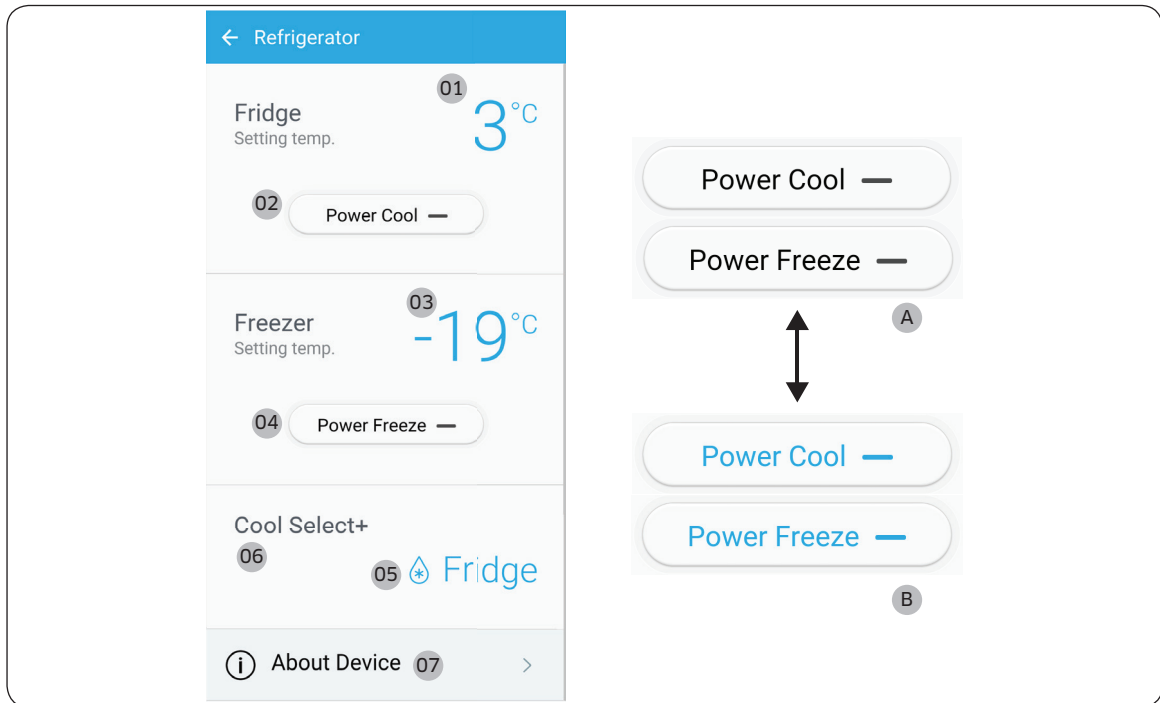


- Tap **Refrigerator** to open the settings page of the refrigerator.
- Swipe to move to the next page.

Chat control	You can control your Samsung smart home appliances remotely, or check the operating status.
Home view (applicable models only)	By using the built-in camera of a Samsung smart home appliance, you can monitor your living room. This is available only with applicable models.
Master key	The master key is designed to control the locking system for different user activities such as going out, coming home, going to bed at night, and waking up in the morning. This is available only with applicable models.
Customer service	The user manual is downloadable, and the contact information for customer support is also provided.
Settings	You can check the connected device as well as the software information (version and open-source licenses), and add devices or select a country. You can simulate the operation of the current device for demonstration purposes.

Operations

Refrigerator settings



A : Disabled (black)

B : Enabled (blue)

Fridge	<p>01 Displays the currently set fridge temperature.</p> <p>02 You can turn on or off Power Cool, and check the current settings.</p>
Freezer	<p>03 Displays the currently set freezer temperature.</p> <p>04 You can turn on or off Power Freeze, and check the current settings.</p>
Cool Select	<p>05 Displays the current mode setting.</p> <p>06 Depending on the model, it displays Cool Select+, Cool Select Zone, or none.</p>

About Device

07 Displays the product information including the current version, tutorial, Self Check, and Help Desk. The user manual is downloadable, and the contact information for customer support is also provided.

Self Check

By referencing Self Check, you can check the diagnostic results of your refrigerator. If you encounter an abnormal symptom, Self Check displays an information that can be used for customer service.

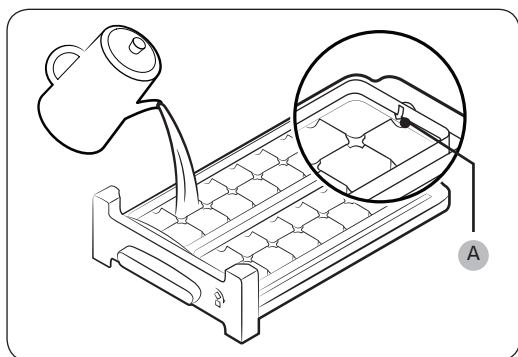
Operations

Special features

The actual image and special functions of your refrigerator may differ, depending on the model and the country.

Ice making (applicable models only)

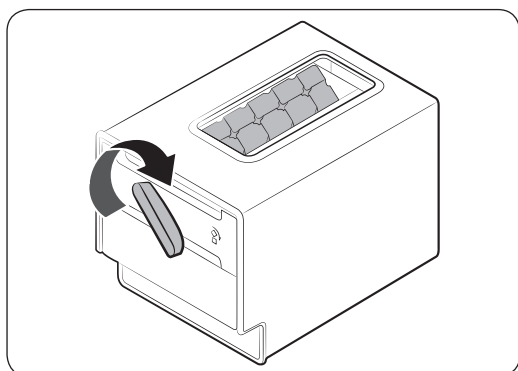
Twist ice maker



1. Open the freezer door, and slide open the ice tray.
2. Fill the tray with water up to the **maximum level (A)** marked on the inner rear of the tray.
3. Slide the tray back into position.

NOTE

The ice making time depends on your temperature settings.



NOTE

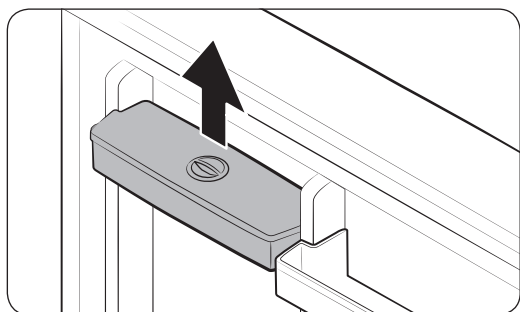
- Make sure the ice cube storage bin is in place under the ice tray.
- To dispense the ice cubes, turn the handle of the bin to the right to empty half of the ice cubes into the bin. Then, turn it to the left to empty the other half.
- Take out the bin by slightly twisting and pulling to the front.

Water dispenser

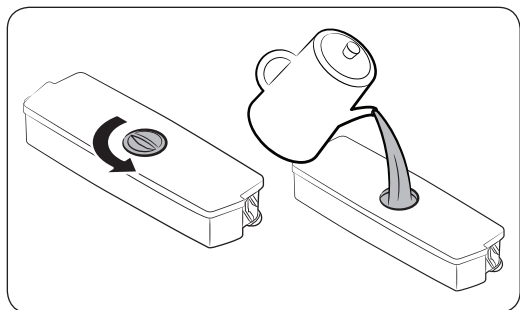
With the water dispenser, you can dispense water without opening the fridge door. The water tank must be filled with potable water before use.

To fill the water tank with potable water

Open the door and locate the water tank that is located in the door shelf area.



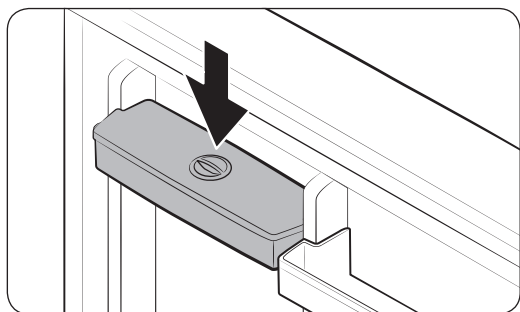
1. Hold the handgrips on both sides of the water tank and lift up to remove.



2. Fill the water tank with potable water up to 2.8 liters. You can remove either the top cap or the cover and pour water.

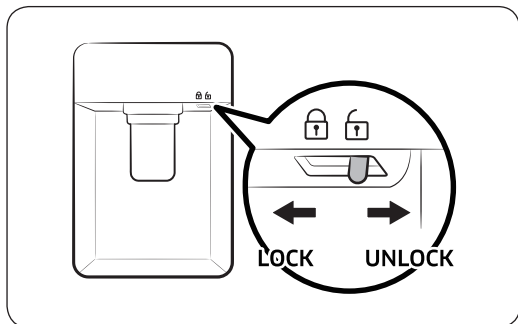
NOTE

For first-time use, clean inside the water tank.



3. Reinsert the water tank and close the door. Make sure the water outlet of the water tank faces forward.

Operations



4. Put a water glass under the water outlet of the dispenser, and gently push the dispenser lever to dispense water. Make sure the water dispenser is unlocked.

CAUTION

- The water dispenser is designed to dispense potable water. Fill the water tank only with potable water. Do not fill with any other liquids.
- Do not fill the water tank excessively, which causes an overflow.
- Do not try to fill the water tank without removing it from the door.
- Make sure that water tank is seated properly.
- Do not use the refrigerator without the water tank. This may reduce performance and efficiency.
- To prevent water bouncing, make sure the glass is in line with the dispenser lever.

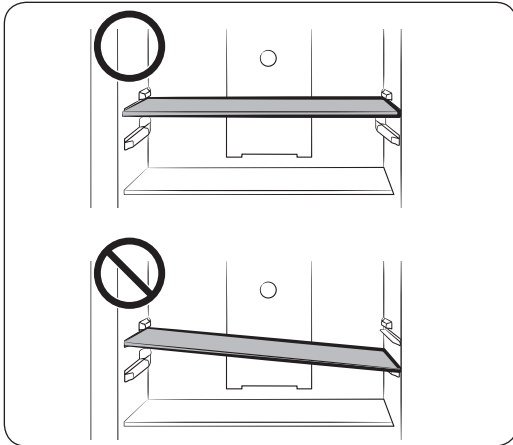
NOTE

To secure more room, you can use the water tank to store food. In this case, remove the lid of the tank.

Maintenance

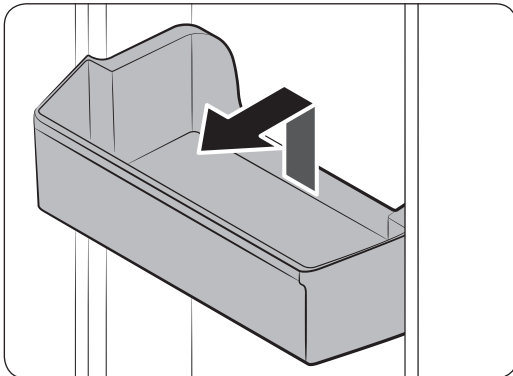
Handle and care

Freezer and fridge shelves



- To remove a shelf, first open the door completely. Pull the shelf forward, lift up, and then pull out.
- When reinserting the shelf, make sure the “Front” label of the shelf faces forward.
- Do not attempt to tilt the shelf into position.

Door guards



Slightly lift up and pull out the door guard.

⚠ CAUTION

To prevent accidents, empty the door guards before removing.

Maintenance

Cleaning

Regularly use a dry cloth to remove all foreign substances such as dust or water from the power plug terminals and contact points.

1. Unplug the power cord of the refrigerator.
2. Use a moistened soft lint-free cloth or paper towel to clean the refrigerator's interior and exterior.
3. When done, use a dry cloth or paper towel to dry well.
4. Plug in the power cord of the refrigerator to turn the refrigerator on.

NOTE

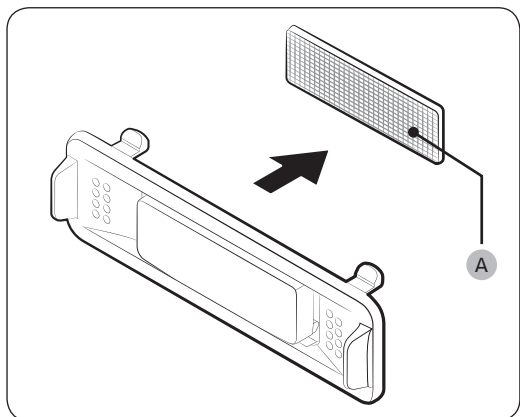
If you have removed any removable parts such as shelves for cleaning, refer to the overall layout in the What's included section to make sure you have reinserted correctly.

WARNING

- Do not use benzene, thinner, or home/car detergent such as Clorox™ for cleaning purposes. They may damage the surface of the refrigerator and cause a fire.
- Do not spray water onto the refrigerator. This may cause electric shock.
- Do not put fingers or other objects into the dispenser hole.

Replacement

Deodorizer filter (applicable models only)



While holding the top and bottom sides of the filter case, unlock the filter case to reveal the **deodorizer filter (A)**. Replace the filter, and then reinsert the case.

Lamps and anti-bacteria filter

Neither lamps nor the anti-bacteria filter are user-serviceable. Do not attempt to replace them yourself. To replace them, contact a local Samsung service centre.

Troubleshooting

If you encounter an abnormal situation with the refrigerator, first check the table below and try the suggestions.

General

Symptom	Action
Does not operate or cool.	<ul style="list-style-type: none">• Make sure the power cord is connected properly.• Make sure the temperature control is set correctly.• Make sure to keep the refrigerator away from direct sunlight or a heat source. Failing to do so may affect the cooling performance.• Make sure the refrigerator has enough room from the rear and side walls or the cabinet. Failing to do so may affect the cooling performance.• Too much food may block the ventilation of the refrigerator. To keep the refrigerator in normal operation, do not put too much food inside.
Food in the fridge freezes.	<ul style="list-style-type: none">• Check if the temperature control is set to the lowest temperature. If so, change the temperature to higher or optimal.• This happens if the ambient temperature is too low. Set the temperature higher.• Check if food containing a high portion of water is put in the coldest area of the fridge or near the cooling vent. If this happens, move the food to other shelves in the fridge.
Emits noises.	<ul style="list-style-type: none">• Make sure the refrigerator is installed on a stable, flat surface.• Make sure the refrigerator has enough room from the rear and side walls or the cabinet.• Make sure to keep the refrigerator from impurities or foreign objects inside or underneath.• The refrigerator may produce a ticking sound from inside, which occurs when the various removable parts contract or expand. This is not a system failure.

Troubleshooting

Symptom	Action
The front corners and sides become warm and form condensation.	<ul style="list-style-type: none"> To prevent condensation from forming, the refrigerator has heat-proof piping in the front corners. If the ambient temperature rises, this equipment may not work effectively. This is not a system failure. Condensation may form on the exterior surface of the refrigerator if humid air comes into contact with the cool surface of the refrigerator.
The ice maker does not make ice.	<ul style="list-style-type: none"> You must wait for 12 hours until the refrigerator makes ice. Make sure the ice maker is not stopped while making ice. Make sure the freezer is set below 0 °C (or -5 °C in warm ambient air). Make sure the water tank is filled with water.
The water dispenser is not functioning.	<ul style="list-style-type: none"> Check if the water tank is frozen. If so, select a higher fridge temperature. Make sure the water tank is filled with water. Make sure the water tank is installed properly. Make sure the water filter is installed properly.
Produces a bubbling sound.	<ul style="list-style-type: none"> The refrigerator makes this sound during the cooling process, which is normal.
A bad smell comes from inside the refrigerator.	<ul style="list-style-type: none"> Check for any spoiled food. We recommend cleaning the refrigerator on a regular basis and remove any spoiled or suspect food items. Make sure strong smelling food is wrapped up airtight.
Frost forms on the interior walls.	<ul style="list-style-type: none"> Make sure no food blocks the vents of the refrigerator. It is also important to arrange food items evenly for ventilation. Make sure the door is closed properly.
Condensation forms on the interior walls or around vegetables.	<ul style="list-style-type: none"> This happens when food containing a high portion of water is stored uncovered, or the door has been left open for a while. Make sure food is covered or put in sealed containers.

Samsung Smart Home

Symptom	Action
Could not find “Samsung Smart Home” on the app market.	<ul style="list-style-type: none">• The Samsung Smart Home app is available on smartphones that run Android 4.0 (ICS) or higher, or iOS 7.0 or higher.
The Samsung Smart Home app fails to operate.	<ul style="list-style-type: none">• The Samsung Smart Home app is available on applicable models only.• The old Samsung Smart Refrigerator app cannot connect with Samsung Smart Home models.
The Samsung Smart Home app is installed but is not connected to my refrigerator.	<ul style="list-style-type: none">• You must log into your Samsung account to use the app.• Make sure that your router is operating normally.• Make sure that the Smart Home Dongle is inserted properly.• If the Wi-Fi icon on the refrigerator’s display is off, this indicates that no network connection has been established yet. In this case, use the Samsung Smart Home app to connect and register your refrigerator to the access point (AP) of your house.
Could not log into the app.	<ul style="list-style-type: none">• You must log into your Samsung account to use the app.• If you don’t have a Samsung account, follow the app’s onscreen instructions to create one.
An error message appears when I try to register my refrigerator.	<ul style="list-style-type: none">• Easy Connection may fail due to the distance from your access point (AP) or electrical interference from the surrounding environment. Wait a moment and try again.
The Samsung Smart Home app is successfully connected to my refrigerator but does not run.	<ul style="list-style-type: none">• Exit and restart the Samsung Smart Home app, or disconnect and reconnect the router.• Remove the Smart Home Dongle, and reconnect it properly. Then, try again.

Contact SAMSUNG WORLD WIDE

If you have any questions or comments relating to Samsung products, please contact the SAMSUNG customer care center.

Country	Contact Center	Web Site
ARGENTINA	0800-555-SAMSUNG(7267)	www.samsung.com/ar
URUGUAY	0800-SAMS(7267)	www.samsung.com/uy
PARAGUAY	0800-11-SAMS(7267)	www.samsung.com/py
CHILE	800-SAMSUNG(726-7864) [HHP] 2-2482 8200	www.samsung.com/cl/support
BOLIVIA	800-10-7260	www.samsung.com/cl/support
COLOMBIA	Bogotá en el 600 12 72 Sin costo en todo el país 01 8000 112 112 Y desde tu celular #726	www.samsung.com/co/support
COSTA RICA	00-800-1-SAMSUNG (726-7864)	www.samsung.com/latin/support (Spanish) www.samsung.com/latin_en/support (English)
DOMINICAN REPUBLIC	1-800-751-2676	www.samsung.com/latin/support (Spanish) www.samsung.com/latin_en/support (English)
ECUADOR	1-800-SAMSUNG (72-6786)	www.samsung.com/latin/support (Spanish) www.samsung.com/latin_en/support (English)
EL SALVADOR	8000-SAMSUNG (726-7864)	www.samsung.com/latin/support (Spanish) www.samsung.com/latin_en/support (English)
GUATEMALA	1-800-299-0033	www.samsung.com/latin/support (Spanish) www.samsung.com/latin_en/support (English)
HONDURAS	800-2791-9111	www.samsung.com/latin/support (Spanish) www.samsung.com/latin_en/support (English)
JAMAICA	1-800-SAMSUNG (726-7864)	www.samsung.com/latin_en/support (English)
NICARAGUA	001-800-5077267	www.samsung.com/latin/support (Spanish) www.samsung.com/latin_en/support (English)
PANAMA	800-0101	www.samsung.com/latin/support (Spanish) www.samsung.com/latin_en/support (English)
PERU	080077708 Desde teléfonos fijos ó públicos (01)7116800 Desde teléfonos celulares	www.samsung.com/pe/support
PUERTO RICO	1-800-682-3180	www.samsung.com/latin/support (Spanish) www.samsung.com/latin_en/support (English)
TRINIDAD & TOBAGO	1-800-SAMSUNG(726-7864)	www.samsung.com/latin/support (Spanish) www.samsung.com/latin_en/support (English)
VENEZUELA	0-800-SAMSUNG (726-7864)	www.samsung.com/latin/support (Spanish) www.samsung.com/latin_en/support (English)



DA68-03370W-03

A high-speed, black and white photograph of water splashing, creating numerous bubbles and droplets. The water is captured in mid-air, creating a dynamic and textured background. The lighting highlights the individual droplets and the overall movement of the liquid.

Refrigerador

Manual del usuario

RT58*/RT62*

Electrodoméstico independiente

SAMSUNG

Contenido

Información sobre seguridad	3
Símbolos y advertencias de seguridad importantes:	4
Señales de advertencia importantes para el transporte y la ubicación	5
Advertencias muy importantes para la instalación	5
Precauciones para la instalación	8
Advertencias muy importantes para el uso	9
Precauciones de uso	13
Precauciones para la limpieza	16
Advertencias muy importantes para la eliminación de residuos	17
Recomendaciones adicionales para el uso adecuado	18
Recomendaciones para el ahorro de energía	19
Este electrodoméstico está diseñado para uso doméstico y en lugares como	20
Instrucciones acerca de WEEE	20
Instalación	21
Descripción breve del refrigerador	21
Instalación paso a paso	23
Funcionamiento	29
Panel de funciones	29
Samsung Smart Home (solo para los modelos correspondientes)	36
Funciones especiales	41
Mantenimiento	44
Manipulación y cuidado	44
Limpieza	45
Reemplazo	45
Solución de problemas	46
General	46
Samsung Smart Home	48

Información sobre seguridad

- Antes de utilizar su nuevo refrigerador Samsung, lea detenidamente este manual a fin de aprender a usar las funciones que ofrece de manera segura y eficiente.
- Este electrodoméstico no debe ser utilizado por personas (incluidos niños) con capacidades mentales, sensoriales o físicas reducidas o por personas que carezcan de experiencia y conocimientos, a menos que se encuentren bajo la supervisión o hayan recibido instrucciones de un responsable de su seguridad sobre el uso del refrigerador.
- Este aparato puede ser utilizado por niños mayores de 8 años y personas con capacidades físicas, sensoriales o mentales reducidas, o faltas de conocimiento y experiencia, con la vigilancia adecuada o si han recibido la formación pertinente. No deje que los niños jueguen con el aparato. Los niños no deben efectuar tareas de limpieza ni de mantenimiento sin vigilancia.
- Las Instrucciones y Advertencias de Seguridad Importantes en este manual no cubren todas las condiciones y situaciones posibles que podrían ocurrir. Es su responsabilidad utilizar el sentido común, la precaución y el cuidado para la instalación, mantenimiento y operación del electrodoméstico.
- Debido a que las siguientes instrucciones operativas abarcan diversos modelos, las características de su refrigerador pueden diferir levemente de aquellas descritas en este manual y no todas las señales de advertencia pueden ser aplicables. Si tiene una consulta o inquietud, deberá contactar al centro de servicios más cercano u obtener ayuda e información en el sitio www.samsung.com.
- Se utiliza R-600a o R-134a como refrigerante. Mire la etiqueta del compresor en la parte posterior del electrodoméstico o la etiqueta de voltaje dentro del refrigerador para constatar qué refrigerante fue utilizado en su refrigerador. Si este producto contiene gas inflamable (refrigerante R-600a), comuníquese con las autoridades locales para desechar este producto en forma segura.
- Para evitar la creación de una mezcla de gas-aire inflamable en caso de una pérdida en el circuito del refrigerante, el tamaño del lugar en el que se coloca el refrigerador depende de la cantidad de refrigerante utilizado.



Información sobre seguridad

- Nunca debe poner en marcha un refrigerador que tenga signos de haber sido dañado. Si tiene alguna inquietud, consulte a su distribuidor. El lugar debe tener una dimensión de 1m³ por cada 8 g de refrigerante R-600a en el electrodoméstico.
La cantidad de refrigerante específica de su electrodoméstico consta en la placa de identificación que se encuentra en el interior.
- Si el refrigerante sale por los tubos, este podría prenderse fuego o dañar los ojos. Si hay pérdida de refrigerante del tubo, evite llamas, aparte cualquier material inflamable del producto y ventile la habitación inmediatamente.
 - No seguir esta recomendación puede causar riesgos de incendio o explosión.
- Es peligroso que una persona que no sea un técnico de servicio autorizado realice tareas de reparación en este aparato.

Símbolos y advertencias de seguridad importantes:

ADVERTENCIA

Riesgos o prácticas inseguras que pueden causar **graves lesiones personales o incluso la muerte.**

PRECAUCIÓN

Riesgos o prácticas inseguras que pueden causar **lesiones personales leves o daños materiales.**

Estas señales de advertencia se incluyen aquí para evitar que usted o terceros sufran lesiones.

Sígalas atentamente.

Después de leer esta sección, consérvela en un lugar seguro para referencia futura.



Señales de advertencia importantes para el transporte y la ubicación

ADVERTENCIA

- Al transportar e instalar el electrodoméstico deberá tener cuidado de no dañar ninguna de las piezas del circuito del refrigerante.
 - La pérdida de refrigerante del tubo podría encenderse o dañar los ojos. Si se detecta una fuga, manténgalo alejado de las llamas o de posibles fuentes de inflamación y ventile durante varios minutos el ambiente en el que se encuentra la unidad.
 - El electrodoméstico contiene una pequeña cantidad de refrigerante de isobutano (R-600a), un gas natural con alta compatibilidad ambiental, no obstante también combustible. Al transportar e instalar el electrodoméstico deberá tener cuidado de no dañar ninguna de las piezas del circuito del refrigerante.

Advertencias muy importantes para la instalación

ADVERTENCIA

- No instale el refrigerador en un lugar húmedo o donde pueda entrar en contacto con agua.
 - El aislamiento deficiente de las piezas eléctricas puede provocar una descarga eléctrica o un incendio.
- No exponga este refrigerador a la luz solar directa ni al calor de estufas, calefactores u otros electrodomésticos.
- No enchufe varios electrodomésticos en la misma toma múltiple. El refrigerador debe conectarse siempre a un tomacorriente individual cuyo voltaje nominal coincida con el que se especifica en la placa de voltaje del refrigerador.
 - Así se obtiene el mejor desempeño y también se evita que se sobrecarguen los circuitos del cableado de la casa, lo cual podría provocar un riesgo de incendio a causa del recalentamiento de los cables.



Información sobre seguridad

- Si el tomacorriente está flojo, no conecte el enchufe.
 - Existe el riesgo de que se produzca una descarga eléctrica o un incendio.
- No utilice un cable de alimentación que esté dañado o gastado en su extensión o en cualquiera de los extremos.
- No doble excesivamente el cable de alimentación ni coloque objetos pesados sobre él.
- No tire del cable de alimentación ni lo doble excesivamente.
- No retuerza ni amarre el cable de alimentación.
- No coloque el cable de alimentación sobre un objeto metálico; no coloque sobre él ningún objeto pesado; no lo coloque entre objetos ni lo empuje hacia el espacio que hay detrás del electrodoméstico.
- Al mover el refrigerador, tenga cuidado de no enroscar ni dañar el cable de alimentación.
 - Esto podría causar una descarga eléctrica o un incendio.
- Nunca desenchufe el refrigerador jalando el cable de alimentación. Siempre sostenga el enchufe con firmeza y jale para extraerlo del tomacorriente.
 - Los daños al cable pueden provocar un cortocircuito, un incendio o una descarga eléctrica.
- No almacene sustancias explosivas como latas de aerosoles con gases propelentes inflamables en este electrodoméstico.
- No instale este electrodoméstico cerca de calefactores o materiales inflamables.
- No instale este electrodoméstico en un lugar donde pueda haber fugas de gas.
 - Esto podría causar una descarga eléctrica o un incendio.
- Antes de usarse, el refrigerador debe ubicarse e instalarse de manera apropiada de acuerdo con las instrucciones de este manual.
- Conecte el enchufe en la posición correcta con el cable colgando hacia abajo.
 - Si conecta el enchufe al revés, el cable puede cortarse y provocar un incendio o una descarga eléctrica.



- Asegúrese de que el enchufe no esté aplastado ni haya sido dañado por la parte posterior del refrigerador.
- Mantenga los materiales de empaque fuera del alcance de los niños.
 - Existe el riesgo de muerte por asfixia si un niño se coloca los materiales de empaque en la cabeza.
- El electrodoméstico debe colocarse de manera tal que se pueda acceder al enchufe después de la instalación.
 - No seguir esta recomendación puede causar una descarga eléctrica o un incendio debido a una fuga de electricidad.
- No instale este electrodoméstico en un lugar húmedo, engrasado o sucio, ni en una ubicación expuesta directamente a la luz del sol o al agua (lluvia).
 - El aislamiento deteriorado de las piezas eléctricas puede provocar una descarga eléctrica o un incendio.
- Si el refrigerador tiene polvo o agua, desenchúfelo y comuníquese con el Centro de Servicio de Samsung Electronics.
 - Si no lo hace, existe el riesgo de que se produzca un incendio.
- No se pare sobre el electrodoméstico ni le coloque objetos encima (tales como ropa, velas o cigarrillos encendidos, platos, productos químicos, objetos metálicos, etc.).
 - Esto podría causar una descarga eléctrica, un incendio, problemas con el producto o lesiones.
- Es necesario quitar toda la película plástica protectora antes de enchufar el producto por primera vez.
- Se deberá vigilar a los niños para asegurarse de que no jueguen con los anillos elásticos utilizados para el ajuste de la puerta o con las grapas del tubo de agua.
 - Existe riesgo de muerte por asfixia si un niño se traga un anillo elástico o una grapa del tubo de agua. Mantenga los anillos elásticos y las grapas del tubo de agua fuera del alcance de los niños.

Información sobre seguridad

- El refrigerador debe estar conectado a tierra de manera segura.
 - Siempre asegúrese de haber conectado el refrigerador a tierra antes de intentar examinar o reparar alguna pieza. Las fugas de energía pueden provocar una descarga eléctrica grave.
- Nunca utilice como conexión a tierra tubos de gas, líneas telefónicas ni otras posibles fuentes de atracción de rayos.
 - El refrigerador debe estar conectado a tierra para evitar cualquier fuga de energía o descarga eléctrica provocada por fugas de corriente del refrigerador.
 - Esto podría causar descargas eléctricas, incendios, explosiones o problemas con el producto.
- Conecte bien el enchufe a la toma de pared. No utilice enchufes o cables de alimentación dañados ni enchufes de pared flojos.
 - Esto podría causar una descarga eléctrica o un incendio.
- Si el cable de alimentación está dañado, solicite su reemplazo de inmediato al fabricante o a uno de los agentes de servicio técnico.
- El fusible del refrigerador debe ser reemplazado por un técnico calificado o por la compañía de servicios.
 - No seguir esta recomendación, podría causar una descarga eléctrica o lesiones.

Precauciones para la instalación

PRECAUCIÓN

- Deje espacio suficiente alrededor del refrigerador e instálelo sobre una superficie plana.
 - Mantenga libre de obstáculos el espacio de ventilación en el gabinete o la estructura de montaje del electrodoméstico.
- Antes de cargar alimentos, el electrodoméstico debe permanecer en posición vertical durante 2 horas después de la instalación y su encendido.

- Recomendamos que el refrigerador sea instalado por un técnico calificado o una compañía de servicios.
 - No seguir esta recomendación puede causar descargas eléctricas, incendios, explosiones, problemas con el producto o lesiones.
- La sobrecarga en una de las puertas puede ocasionar la caída del refrigerador y provocar lesiones personales.

Advertencias muy importantes para el uso

ADVERTENCIA

- No conecte el enchufe en un tomacorriente con las manos mojadas.
 - Esto podría causar una descarga eléctrica.
- No coloque objetos en la parte superior de la unidad.
 - Cada vez que abra o cierre la puerta, estos podrían caerse y provocar lesiones personales o daños materiales.
- No coloque las manos, los pies ni objetos metálicos (como palillos chinos, etc.) en la parte inferior o posterior del refrigerador.
 - Esto podría causar una descarga eléctrica o lesiones personales.
 - Algunos bordes filosos podrían provocar lesiones personales.
- No toque las paredes internas del congelador ni los productos almacenados en este con las manos mojadas.
 - Esto puede provocar quemaduras por frío.
- No coloque un recipiente con agua sobre el refrigerador.
 - Si se derrama, existe el riesgo de que se produzca un incendio o una descarga eléctrica.
- No almacene sustancias u objetos volátiles o inflamables (benceno, solvente, gas propano, alcohol, éter, gas LP ni cualquier otro producto de este tipo) en el refrigerador.
 - Este refrigerador se debe utilizar solo para almacenar alimentos.
 - Esto podría causar un incendio o una explosión.



Información sobre seguridad

- Se deberá vigilar a los niños para asegurarse de que no jueguen con el electrodoméstico.
 - Aleje los dedos de los puntos de agarre. Los espacios entre las puertas y el gabinete son inevitablemente pequeños. Abra las puertas con cuidado si hay niños cerca.
- No permita que los niños se cuelguen de la puerta ni de los compartimientos de la puerta. Pueden producirse lesiones graves.
- No permita que los niños ingresen al refrigerador. Podrían quedar atrapados.
- No coloque las manos debajo del electrodoméstico.
 - Es posible que algunas puntas filosas le provoquen lesiones.
- No almacene en el refrigerador productos farmacéuticos, materiales científicos ni productos sensibles a la temperatura.
 - No se deben almacenar productos que requieran controles estrictos de temperatura.
- No coloque ni utilice aparatos eléctricos dentro del refrigerador/congelador, a menos que sean del tipo recomendado por el fabricante.
- En caso de sentir olor a fármacos o a humo, desconecte el enchufe de inmediato y comuníquese con el Centro de Servicio de Samsung Electronics.
- Si el refrigerador tiene polvo o agua, desenchúfelo y comuníquese con el Centro de Servicio de Samsung Electronics.
 - Si no lo hace, existe el riesgo de que se produzca un incendio.
- No permita que los niños se paren sobre un cajón.
 - El cajón se puede romper y los niños pueden caerse.
- No deje las puertas del refrigerador abiertas si este no está siendo vigilado ni permita que los niños ingresen en él.
- No permita que los bebés ni los niños ingresen en el cajón.
 - Esto puede provocar muerte por asfixia debido al encierro o lesiones personales.



- No sobrecargue el refrigerador con comida.
 - Cuando abra la puerta, algún elemento podría caerse y provocar lesiones personales o daños materiales.
- No pulverice material volátil, tal como un insecticida, sobre la superficie del electrodoméstico.
 - Además de ser perjudicial para los seres humanos, puede causar una descarga eléctrica, un incendio o problemas con el producto.
- No utilice ni coloque ninguna sustancia sensible a la temperatura, tales como pulverizadores inflamables, objetos inflamables, hielo seco, medicamentos o productos químicos, cerca o dentro del refrigerador.
- No utilice un secador de cabello para secar el interior del refrigerador. No coloque velas encendidas en el refrigerador para quitar los malos olores.
 - Esto podría causar una descarga eléctrica o un incendio.
- Llene el tanque de agua, la charola para el hielo y los cubos de agua solamente con agua potable (agua mineral o agua purificada).
 - No llene el tanque con té, jugos ni bebidas isotónicas ya que pueden dañar el refrigerador.
- No se pare sobre el electrodoméstico ni le coloque objetos encima (tales como ropa, velas o cigarrillos encendidos, platos, productos químicos, objetos metálicos, etc.). Esto podría causar una descarga eléctrica, un incendio, problemas con el producto o lesiones. No coloque un recipiente con agua sobre el electrodoméstico.
 - Si se derrama, existe el riesgo de que se produzca un incendio o una descarga eléctrica.
- No utilice dispositivos mecánicos ni cualquier otro medio para acelerar el proceso de descongelamiento que no sean aquellos recomendados por el fabricante.
- No dañe el circuito del refrigerante.
- No mire fijamente la lámpara LED UV durante mucho tiempo.
 - Los rayos ultravioletas podrían dañarle la visión.



Información sobre seguridad

- No ponga el estante del refrigerador al revés. El tope del estante no funcionaría.
 - Si se cae el estante de vidrio puede causar lesiones personales.
- Aleje los dedos de los puntos de agarre. Los espacios entre las puertas y el gabinete son inevitablemente pequeños. Abra las puertas con cuidado si hay niños cerca.
- Si se detecta una fuga de gas, evite las llamas o posibles fuentes de ignición y ventile durante varios minutos la habitación en la que se encuentra el electrodoméstico.
 - No toque el electrodoméstico ni el cable de alimentación.
 - No utilice un ventilador.
 - Una chispa puede provocar una explosión o un incendio.
- Utilice solamente lámparas LED proporcionadas por el fabricante o sus agentes de servicio técnico.
- Las botellas se deben almacenar una junto a otra de manera tal que no se caigan.
- Este producto se debe utilizar solo para almacenar alimentos en un entorno doméstico.
- No intente reparar, desensamblar ni modificar el refrigerador por su cuenta.
 - Las modificaciones que no han sido autorizadas pueden provocar problemas de seguridad. Para revertir una modificación no autorizada, cobraremos el costo completo de las piezas y mano de obra.
- No utilice ningún fusible (tales como los de alambres de acero, de cobre, etc.) que no sea un fusible estándar.
- Si es necesario reparar o volver a instalar el refrigerador, comuníquese con su Centro de Servicio más cercano.
 - No seguir esta recomendación puede causar una descarga eléctrica, un incendio, problemas con el producto o lesiones.
- Si la lámpara LED interior o exterior se ha apagado, comuníquese con su Centro de Servicio más cercano.



- En caso de sentir olor a quemado o a humo en el refrigerador, desenchúfelo de inmediato y comuníquese con el Centro de Servicio de Samsung Electronics.
 - No seguir esta recomendación podría causar una descarga eléctrica o un incendio.
- Desenchufe el refrigerador antes de cambiar las lámparas internas.
 - Si no lo hace, existe el riesgo de que se produzca una descarga eléctrica.
- Si le resulta difícil cambiar una luz que no sea de LED, comuníquese con un Centro de Servicio de Samsung.
- Si el producto cuenta con lámparas LED, no desensamble las cubiertas de la lámpara y las lámparas LED usted mismo.
 - Comuníquese con un Centro de Servicio de Samsung.
- Conecte bien el enchufe a la toma de pared.
- No utilice enchufes ni cables de alimentación dañados ni enchufes de pared flojos.
 - Esto podría causar una descarga eléctrica o un incendio.

Precauciones de uso

PRECAUCIÓN

- No vuelva a congelar alimentos que se hayan descongelado completamente. No coloque bebidas carbonatadas o con gas en el compartimiento del congelador. No coloque botellas ni recipientes de vidrio en el congelador.
 - Cuando el contenido se congela, el vidrio puede romperse y provocar lesiones personales.
- Utilice solamente la fábrica de hielo del refrigerador.
- Para obtener el mejor desempeño del producto:
 - No coloque alimentos muy cerca de las rejillas de ventilación en la parte posterior del refrigerador, ya que pueden obstruir la libre circulación del aire en el compartimiento del refrigerador.

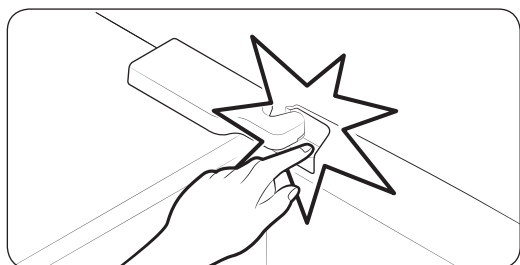


Información sobre seguridad

- Envuelva los alimentos adecuadamente o colóquelos en recipientes herméticos antes de almacenarlos en el refrigerador.
- No coloque botellas de vidrio ni bebidas carbonatadas en el congelador. Si se congelan, pueden romperse. Los recipientes de bebidas rotos pueden provocar lesiones personales.
- Cumpla con los tiempos máximos de almacenamiento y las fechas de vencimiento de los alimentos congelados.
- No coloque botellas o recipientes de vidrio ni bebidas carbonatadas en el congelador.
 - El recipiente puede congelarse y romperse, y esto puede ocasionar lesiones.
- No coloque bebidas carbonatadas o con gas en el compartimiento del congelador. No coloque botellas ni recipientes de vidrio en el congelador.
 - Cuando el contenido se congela, el vidrio puede romperse y provocar lesiones personales o daños materiales.
- Garantía de servicio y modificación.
 - El servicio de garantía de Samsung no cubre los cambios o las modificaciones realizadas por un tercero a este electrodoméstico; Samsung tampoco es responsable de los problemas relacionados con la seguridad que puedan surgir a causa de modificaciones hechas por terceros.
- No obstruya las rejillas de ventilación dentro del refrigerador.
 - Si las rejillas de ventilación están tapadas, en particular con una bolsa de plástico, el refrigerador se puede sobrecongelar. Si el período de enfriamiento es demasiado prolongado, el filtro de agua puede romperse y provocar fugas de agua.
- Utilice solamente la fábrica de hielo del refrigerador.
- Retire el exceso de humedad del interior del refrigerador y deje las puertas abiertas.
 - De lo contrario, pueden aparecer olores y moho.



- Si se desconecta el refrigerador del suministro de energía, espere al menos cinco minutos antes de volver a enchufarlo.
- Si el refrigerador se moja, desenchúfelo y comuníquese con el Centro de Servicio de Samsung Electronics.
- No golpee ni aplique una fuerza excesiva sobre ninguna superficie de vidrio.
 - Un vidrio roto puede causar lesiones personales o daños materiales.
- Llene el tanque de agua y la charola para el hielo solamente con agua potable (agua de la llave, agua mineral o agua purificada).
 - No llene el tanque con té ni bebidas isotónicas. Esto podría dañar el refrigerador.



- Tenga cuidado de que sus dedos no queden atrapados.

- Las lámparas del congelador y del refrigerador se apagan cuando las puertas de ambos permanecen abiertas durante 2 segundos o más.
 - Las lámparas se encienden nuevamente cuando las puertas se cierran y se vuelven a abrir.
- Si el refrigerador está lleno de agua, comuníquese con el Centro de Servicio más cercano.
 - Existe el riesgo de que se produzca una descarga eléctrica o un incendio.
- No guarde aceite vegetal en los compartimientos de la puerta del refrigerador. El aceite puede solidificarse y modificar su sabor y la facilidad de uso. Asimismo, el envase abierto puede gotear y el aceite vertido puede causar grietas en el compartimiento de la puerta. Una vez abierto u envase de aceite, es mejor almacenarlo en un lugar fresco y a la sombra, como un armario o alacena.
 - Ejemplos de aceite vegetal: aceite de oliva, de maíz, de semilla de uva, etc.



Información sobre seguridad

Precauciones para la limpieza

PRECAUCIÓN

- No pulverice con agua directamente dentro o fuera del refrigerador.
 - Existe el riesgo de que se produzca un incendio o una descarga eléctrica.
- No utilice un secador de cabello para secar el interior del refrigerador.
- No coloque velas encendidas en el refrigerador para eliminar los malos olores.
 - Esto podría causar una descarga eléctrica o un incendio.
- No rocíe productos de limpieza directamente sobre el visor.
 - Las letras impresas en el visor pueden borrarse.
- Si cualquier sustancia extraña, tal como agua, ingresa en el refrigerador, desenchúfelo y comuníquese con su Centro de Servicio más cercano.
 - No seguir esta recomendación podría causar una descarga eléctrica o un incendio.
- Use un paño seco y limpio para retirar cualquier sustancia extraña o polvo de las clavijas del enchufe. No utilice un paño mojado ni húmedo para limpiar el enchufe.
 - De lo contrario, existe el riesgo de que se produzca un incendio o una descarga eléctrica.
- No limpie el refrigerador rociando agua directamente sobre él.
- No utilice benceno, solvente, Clorox ni cloruro para limpiarlo.
 - Pueden dañar la superficie del refrigerador y provocar un incendio.
- Nunca coloque los dedos ni otros objetos en el hueco del dispensador.
 - Esto puede provocar lesiones personales o daños materiales.
- Antes de limpiar o realizar el mantenimiento, desenchufe el refrigerador del enchufe de pared.
 - No seguir esta recomendación podría causar una descarga eléctrica o un incendio.
- Utilice una esponja limpia o un paño suave y un detergente neutro disuelto en agua templada para limpiar el refrigerador.



- No utilice limpiadores abrasivos ni muy fuertes, como limpiacristales, limpiadores corrosivos, líquidos inflamables, ácido clorhídrico, ceras limpiadoras, detergentes concentrados, blanqueadores o limpiadores que contengan petróleo en las superficies exteriores (puertas y paneles), piezas de plástico, revestimientos de puertas e interiores y juntas.
 - Pueden rayar o dañar el material.
- No limpie con agua templada los estantes o las cubiertas de vidrio cuando estén fríos. Los estantes y las cubiertas de vidrio pueden romperse si se exponen a cambios bruscos de temperatura o a impactos como golpes o caídas.

Advertencias muy importantes para la eliminación de residuos

ADVERTENCIA

- Deseche el material de empaque de este producto de forma tal que no resulte nocivo para el medio ambiente.
- Asegúrese de que ninguno de los tubos que se encuentran en la parte trasera del refrigerador estén dañados antes de desecharlos.
- Se utiliza R-600a o R-134a como refrigerante. Mire la etiqueta del compresor en la parte posterior del electrodoméstico o la etiqueta de voltaje dentro del refrigerador para constatar qué refrigerante fue utilizado en su refrigerador. Si este refrigerador contiene gas inflamable (Refrigerante R-600a), comuníquese con las autoridades locales para desechar este producto en forma segura.
- Cuando deseche este refrigerador, retire los burletes y los pestillos de las puertas de manera tal que los niños pequeños o los animales no puedan quedar atrapados en el interior. Se deberá vigilar a los niños para asegurarse de que no jueguen con el electrodoméstico. Si quedan atrapados dentro, los niños pueden lesionarse o asfixiarse hasta morir.
 - Si quedan atrapados dentro, los niños pueden lesionarse o asfixiarse hasta morir.



Información sobre seguridad

- Se utiliza ciclopentano como aislante. Los gases del material de aislamiento requieren un procedimiento especial para desecharlos. Comuníquese con las autoridades locales para desechar este producto de manera que no resulte nocivo para el medio ambiente.
- Mantenga los materiales de empaque fuera del alcance de los niños, ya que pueden ser peligrosos para ellos.
 - Si un niño se coloca una bolsa en la cabeza, puede asfixiarse.

Recomendaciones adicionales para el uso adecuado

- En caso de un corte de energía, comuníquese con la oficina local de su compañía de electricidad y pregunte cuánto tiempo durará el corte.
 - La mayoría de los cortes de energía que se solucionan dentro del lapso de una o dos horas, no afectan las temperaturas del refrigerador. Sin embargo, deberá abrir la puerta la menor cantidad de veces posible.
 - Si el corte de energía dura más de 24 horas, deberá retirar y desechar toda la comida congelada.
- El refrigerador puede no funcionar de manera uniforme (el contenido puede descongelarse o la temperatura en el compartimiento de comidas congeladas puede elevarse) si se lo coloca durante un tiempo prolongado en un sitio donde la temperatura del ambiente esté constantemente por debajo de las temperaturas para las que está diseñado el electrodoméstico.
- Algunos alimentos especiales, debido a sus características, pueden conservarse mal durante la refrigeración.
- El refrigerador es “no frost”, lo que significa que no es necesario descongelarlo manualmente. Esto se hará de forma automática.
- El aumento de la temperatura durante el descongelamiento cumple con los requerimientos ISO. Si desea evitar un aumento excesivo en la temperatura de los alimentos congelados mientras descongela el electrodoméstico, envuelva los alimentos congelados con varias capas de papel de periódico.
- No vuelva a congelar alimentos que se hayan descongelado completamente.



-
- La temperatura de las secciones o compartimientos de dos estrellas con el símbolo de las dos estrellas (**) es ligeramente más elevada que la de otros compartimientos del congelador.
Las secciones o compartimientos con dos estrellas se basan en la instrucción y/o condición a la entrega.

Recomendaciones para el ahorro de energía

- Instale el electrodoméstico en un ambiente fresco y seco con la ventilación adecuada. Asegúrese de que no esté expuesto a la luz solar directa y nunca lo coloque cerca de una fuente de calor directa (por ejemplo, un radiador).
- Se recomienda no bloquear las ventilaciones ni las rejillas para una mejor eficiencia energética.
- Deje enfriar los alimentos calientes antes de colocarlos en el electrodoméstico.
- Coloque los alimentos congelados en el refrigerador para descongelarlos. Puede utilizar las temperaturas bajas de los productos congelados para enfriar los alimentos en el refrigerador.
- No mantenga la puerta del refrigerador abierta durante mucho tiempo cuando coloque o retire alimentos. Cuanto menos tiempo esté abierta la puerta, menos escarcha se acumulará en el congelador.
- Se recomienda instalar el refrigerador dejando un espacio libre por la parte trasera y los laterales. Esto ayudará a reducir el consumo de energía y mantener bajo el gasto de las facturas de energía.
- Para un uso más eficiente de la energía, conserve todos los accesorios internos, como cestas, cajones, estantes, en la misma posición en que los suministró el fabricante.

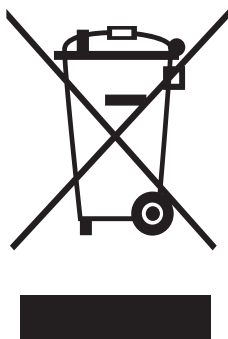


Información sobre seguridad

Este electrodoméstico está diseñado para uso doméstico y en lugares como

- zonas de cocina de tiendas y otros entornos de trabajo
- granjas y zonas de uso de los clientes en hoteles, moteles u otros entornos de tipo residencial
- hospederías
- banqueterías y eventos en instalaciones similares

Instrucciones acerca de WEEE



Disposición correcta de este producto (Residuos de Aparatos Eléctricos y Electrónicos - WEEE por sus siglas en inglés)

(Corresponde a países con sistemas de recolección separados)

Las marcas en el producto, los accesorios o las indicaciones reflejan que el producto y sus accesorios electrónicos (por ejemplo cargador, audífonos, cable USB) no deberían desecharse con otros elementos del hogar al fin de su vida útil. Para evitar posibles daños al ambiente o a la salud debido al desecho sin control de los desperdicios, deberán separarse esos elementos de otro tipo de desperdicios y reciclarlos en forma responsable a fin de promover la reutilización sostenible de los recursos materiales.

Los usuarios particulares deberían contactar al comerciante minorista donde adquirieron el producto, o a la oficina pública local, para obtener información sobre dónde y cómo llevar estos artículos en forma segura desde el punto de vista ambiental para su reciclado.

Los usuarios comerciales deben contactar a su proveedor y verificar las condiciones y términos en el contrato de compra. Este producto y sus accesorios electrónicos no deben mezclarse con otros desperdicios comerciales.



Instalación

Siga las instrucciones cuidadosamente a fin de garantizar la instalación adecuada del refrigerador y de evitar accidentes antes de utilizarlo.

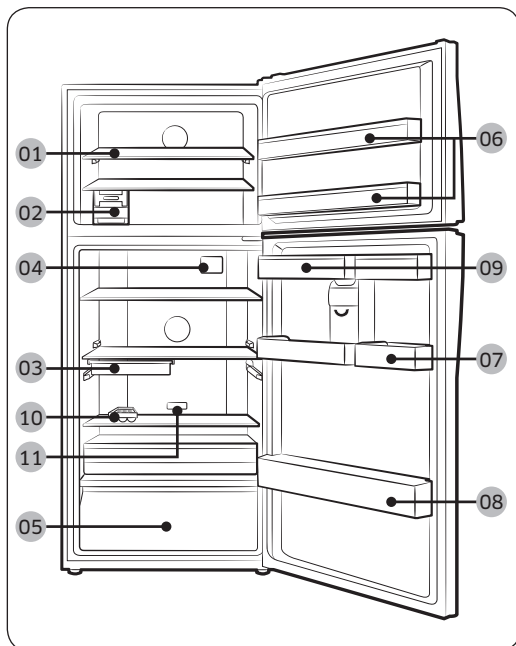
⚠ ADVERTENCIA

- Utilice el refrigerador solamente para su uso previsto como se describe en este manual.
- Todas las reparaciones deben estar a cargo de un técnico calificado.
- Descarte el material de empaque del producto de acuerdo con la normativa local.

Descripción breve del refrigerador

📄 NOTA

La imagen real y los componentes provistos del refrigerador pueden diferir, dependiendo del modelo y del país.

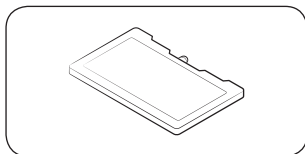


- 01 Estante-Cong.
- 02 Fábrica de hielo
- 03 Compartimiento Deli *
- 04 Protector antibacterias*
- 05 Cajón de vegetales *
- 06 Guardia inferior
- 07 Guarda para alimentos diversos
- 08 Guarda para botellas
- 09 Tanque de agua *
- 10 Guarda para huevos
- 11 Desodorizante *

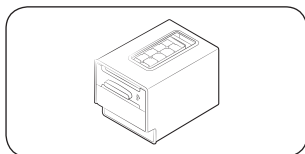
* solo para los modelos correspondientes

Instalación

Accesorios opcionales *



Acumulador de frío: Ayuda a mantener fresco el refrigerador.



Máquina de hielo de giro: Se usa para fabricar hielo.

* Su refrigerador puede no incluir los accesorios mencionados anteriormente. La provisión de los accesorios opcionales depende del modelo y el país.

Para garantizar más espacio de almacenamiento en el compartimiento del congelador

Extraiga la fábrica de hielo, que puede retirarse en forma manual y sin herramientas.

- La extracción de la fábrica de hielo no afecta el desempeño térmico y mecánico del congelador.

Para una mayor eficiencia energética, asegúrese de que todos los estantes, cajones y canastos estén colocados en su posición original.

Instalación paso a paso

PASO 1 Seleccione un lugar

Requisitos del lugar:

- Una superficie sólida, nivelada sin alfombrado ni pisos que puedan obstruir la ventilación
- Alejado de la luz solar directa
- Lugar adecuado para abrir y cerrar la puerta
- Alejado de las fuentes de calor
- Lugar para realizar mantenimiento y reparaciones
- Rango de temperatura: entre 10 °C y 43 °C

Rango de temperatura efectiva

El refrigerador está diseñado para funcionar normalmente dentro del rango especificado en su calificación de clase.

Clase	Símbolo	Rango de temperatura ambiente (°C)	
		IEC 62552 (ISO 15502)	ISO 8561
Templado extendido	SN	+10 a +32	+10 a +32
Templado	N	+16 a +32	+16 a +32
Subtropical	ST	+16 a +38	+18 a +38
Tropical	T	+16 a +43	+18 a +43

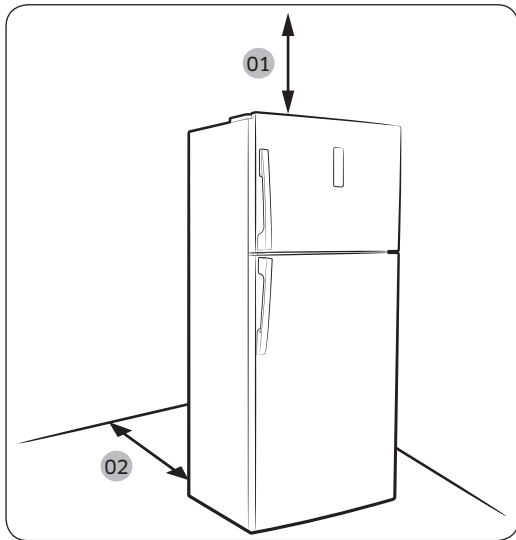
NOTA

El desempeño de enfriamiento y consumo de energía del refrigerador puede verse afectado por la temperatura ambiente, la frecuencia de la apertura de la puerta y la ubicación del refrigerador. Recomendamos ajustar los parámetros de temperatura según corresponda.

Instalación

Espacio libre

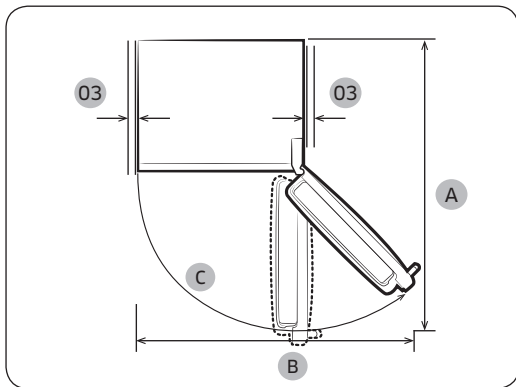
Consulte las ilustraciones y la tabla que aparece a continuación para conocer los requisitos de espacio para la instalación.



Modelo	A	B	C
RT58	1507	1352	120°
RT62	1507	1352	120°

(unidad: mm)

- 01** 100 mm
- 02** 50 mm
- 03** al menos 50 mm

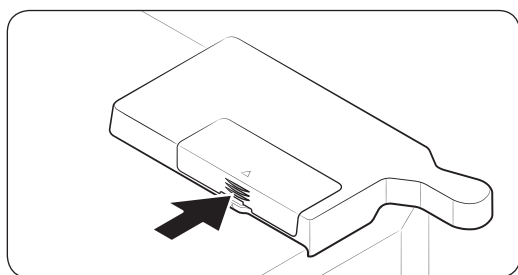


PASO 2 Conexión WiFi

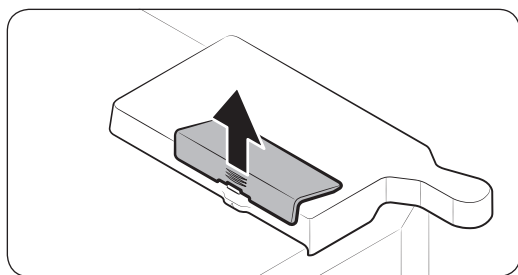
Puede controlar el refrigerador en forma remota mediante el Smart Home Dongle que se vende por separado. Para comprar el Smart Home Dongle, visite www.samsung.com y siga la instrucción de producto acerca de la llave.

⚠ PRECAUCIÓN

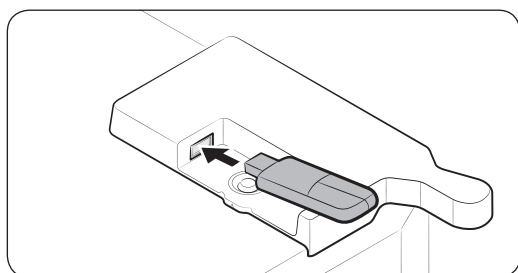
- El Samsung Smart Home Dongle se provee en dos tipos: uno dedicado a los televisores inteligentes Samsung y el otro dedicado a los electrodomésticos Samsung.
- Usted debe comprar el Smart Home Dongle dedicado a electrodomésticos. Cualquier otra llave puede originar un error del sistema.



1. Presione para desbloquear el área de la fecha de la cubierta de la llave.

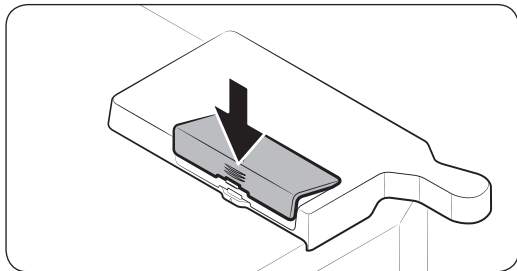


2. Abra la cubierta de la llave.

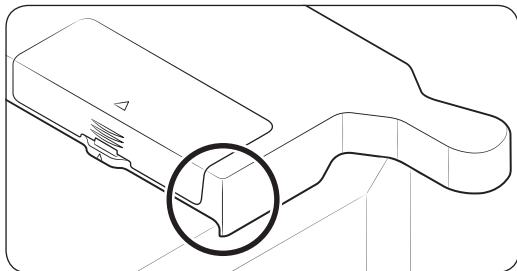


3. Inserte el Smart Home Dongle en el puerto correspondiente y en la dirección correcta.

Instalación



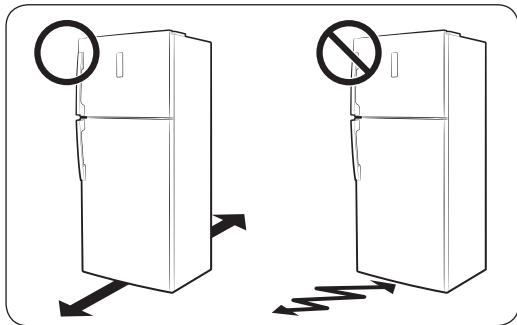
4. Inserte e área superior de la cubierta de la llave en primer lugar y luego ciérrela para bloquearla como se ilustra.



NOTA

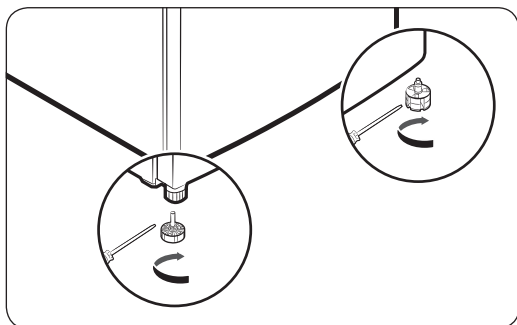
El área marcada es la cubierta de la llave opcional no una grieta o falla.

PASO 3 Piso

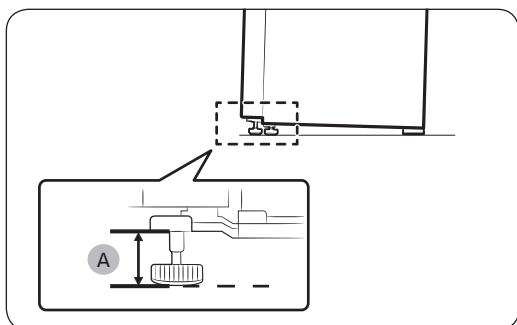


- La superficie sobre la que se instalará el refrigerador debe soportar un refrigerador completamente cargado o aproximadamente 100 kg.
- A fin de proteger el piso, coloque un trozo de cartón debajo de las patas del refrigerador.
- Una vez que el refrigerador esté en su posición final, no lo mueva a menos que sea necesario a fin de proteger el piso. Si debe hacerlo, utilice un papel grueso o tela, como una alfombra vieja, en el recorrido por el que se lo desplazará.

PASO 4 Ajuste las patas de nivelación



Nivele el refrigerador ajustando en forma manual las patas de nivelación. Gire las patas de nivelación en el sentido de las agujas del reloj para bajar la posición o en el sentido contrario para subirla.



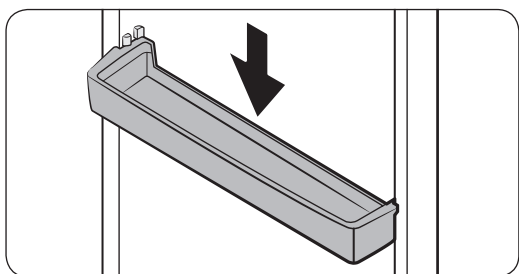
Levante las patas al menos a 35 mm (A) del piso como se muestra.

Instalación

PASO 5 Desempaque y coloque los accesorios en su lugar (solo para los modelos correspondientes)

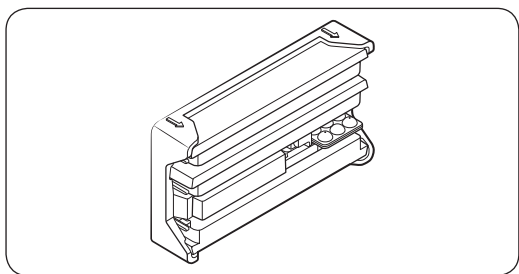
Los accesorios que se envían con este refrigerador se encuentran correctamente empacados para su transporte y por motivos de seguridad. Desempaque dichos accesorios y colóquelos en su lugar.

Guardas de la puerta



Con el producto se proveen guardas de la puerta. Inserte las guardas de la puerta en el congelador y en el refrigerador.

Si desea utilizar la huevera, asegúrese de que esté en el refrigerador o insertada en la guarda de la puerta.



PASO 6 Configuración inicial

Al completar los siguientes pasos, refrigerador quedará en perfectas condiciones de funcionamiento.

1. Enchufe el cable de alimentación al tomacorriente para encender el refrigerador.
2. Abra la puerta y verifique que la luz interna se encienda.
3. Coloque la temperatura en el valor más frío y espere una hora. Luego, el congelador comenzará a enfriarse y el motor funcionará adecuadamente.
4. Espere a que el refrigerador llegue a la temperatura configurada. Ahora el refrigerador estará listo para usar.

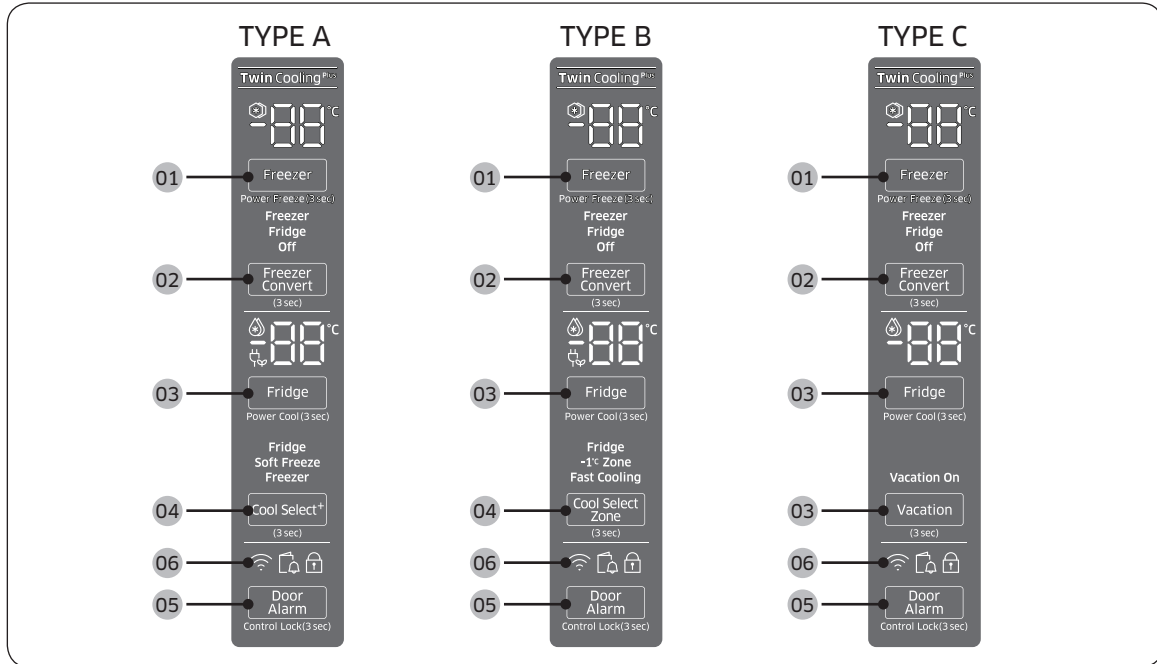
PASO 7 Verificación final

Una vez finalizada la instalación, confirme que:

- El refrigerador esté enchufado al tomacorriente y correctamente conectado a tierra.
- El refrigerador esté instalado sobre una superficie plana y nivelada con un espacio libre razonable con respecto a la pared o el gabinete.
- El refrigerador esté nivelado y apoyado firmemente en el piso.
- La puerta se abre y cierra libremente y la luz interior se enciende automáticamente al abrir la puerta.

Funcionamiento

Panel de funciones



01 Freezer / Power Freeze
(Congelador / Congelación rápida)

02 Freezer Convert (Conversión del congelador)

03 Fridge / Power Cool / Vacation (Refrigerador / Refrigeración rápida / Vacaciones)

04 Cool Select+ (Selección de frío+) / Cool Select Zone (Zona de selección de frío) (Únicamente para los modelos Tipo A y B)

05 Door Alarm / Control Lock (Alarma de la puerta / Bloqueo del control)

06 Network connection (Conexión de red) (solo para los modelos correspondientes)


Funcionamiento

01 Congelador / Congelación rápida

Freezer (Congelador)	<p>El botón Freezer (Congelador) puede utilizarse para configurar la temperatura del congelador.</p> <p>Las temperaturas disponibles están entre -15 °C y -23 °C.</p> <p>⚠ PRECAUCIÓN</p> <ul style="list-style-type: none">• A fin de evitar una falla del sistema o que se deterioren los alimentos, no configure la temperatura en -15 °C durante el verano (por encima de los 35 °C).• No almacene botellas de vidrio con líquido en el congelador. Las botellas de vidrio se rajan o rompen una vez que el líquido se congela.
Power Freeze (Congelación rápida)	<p>Power Freeze (Congelación rápida) acelera el proceso de congelación con la velocidad máxima del ventilador. El congelador funciona a máxima velocidad durante varias horas antes de volver a la temperatura previa.</p> <ul style="list-style-type: none">• Para activar Power Freeze (Congelación rápida), presione y mantenga presionado Freezer (Congelador) durante 3 segundos. Se enciende el indicador correspondiente (❄) y el refrigerador acelerará el proceso de congelación.• Para desactivar, presione y mantenga presionado nuevamente Freezer (Congelador) durante 3 segundos. El congelador vuelve a la temperatura configurada anteriormente.• Para congelar una gran cantidad de alimentos, active Power Freeze (Congelación rápida) como mínimo 20 horas antes de poner alimentos en el congelador.• El congelador funciona a máxima velocidad durante 50 horas antes de volver a la temperatura previa. <p>📖 NOTA</p> <p>Utilizar Power Freeze (Congelación rápida) aumenta el consumo energético. Asegúrese de apagarlo y volver a la temperatura anterior si no tiene intenciones de utilizarlo.</p>



02 Conversión del congelador

<p>Freezer Convert (Conversión del congelador)</p>	<p>Puede utilizar el refrigerador completo en modo Fridge (Refrigerador) o apagar el congelador.</p> <p>Para modificar el modo predeterminado del congelador, presione y mantenga presionado Freezer Convert (Conversión del congelador) durante 3 segundos para ingresar al modo de selección. Luego, presione Freezer Convert (Conversión del congelador) para seleccionar el modo deseado.</p> <p>El modo cambia en la siguiente secuencia: Fridge (Refrigerador) → Off (Desactivar) → Freezer (Congelador) → Off (Desactivar) → Modo de configuración Fridge (Refrigerador).</p> <ul style="list-style-type: none"> • Si selecciona Fridge (Refrigerador), el indicador correspondiente se enciende. Power Freeze (Congelación rápida) se desactivará si estuviera activado y Ice On (Hielo activado) se apagará en caso de estar activado. • Si selecciona Off (Desactivar), el indicador correspondiente se enciende. El congelador se apagará. • Si selecciona Freezer (Congelador), los indicadores de del congelador se encenderán de acuerdo con su selección. La temperatura predeterminada del congelador es de -19 °C. <p>Los cambios que realice se definirán y activarán después de 10 segundos. Para cancelar o modificar el modo nuevamente, presione y mantenga presionado Freezer Convert (Conversión del congelador) nuevamente durante 3 segundos. Luego, siga las instrucciones como se indica anteriormente.</p> <p> NOTA</p> <ul style="list-style-type: none"> • Si mantiene presionado el botón Freezer Convert (Conversión del congelador) durante 3 segundos, el refrigerador pasa al modo de selección donde puede presionar Freezer Convert (Conversión del congelador) para seleccionar otro modo. • Cuando las funciones de refrigeración y congelación están en modo 'Off (Desactivar)', la temperatura del refrigerador o del congelador permanece a menos de 15 °C para que no aparezcan olores y moho, usando bajo consumo de energía • El refrigerador y el congelador no pueden apagarse en modo independiente. • No almacene alimentos o bebidas en el refrigerador cuando las funciones de refrigeración o congelación están en el modo 'Off (Desactivar)'. 15 °C no es una temperatura lo bastante baja para impedir que se deterioren los alimentos.
--	--

ADVERTENCIA

- No coloque botellas de vidrio con líquido en el congelador. Al cancelar Freezer Convert (Conversión del congelador), las botellas de vidrio pueden quebrarse o explotar en el congelador.





Funcionamiento

- Asegúrese de retirar los alimentos congelados del congelador antes de activar Freezer Convert (Conversión del congelador). Los alimentos congelados se derriten y se descomponen cuando la temperatura aumenta (el modo Freezer (Congelador) pasa al modo Fridge (Refrigerador)).
- Asegúrese de retirar los alimentos enfriados del congelador antes de desactivar Freezer Convert (Conversión del congelador). Los alimentos enfriados pueden congelarse cuando disminuye la temperatura (el modo Fridge (Refrigerador) pasa al modo Freezer (Congelador)).


NOTA

Si desea utilizar Freezer Convert (Conversión del congelador), se recomienda utilizar recipientes plásticos para almacenar alimentos, en especial vegetales.

03 Refrigerador / Refrigeración rápida / Vacaciones

Fridge (Refrigerador)	<p>Para ajustar la temperatura del congelador, presione Fridge (Refrigerador) para seleccionar la temperatura correspondiente. Puede modificar la temperatura entre 1 °C y 7 °C (Valor predeterminado: 3 °C).</p> <p> PRECAUCIÓN</p> <ul style="list-style-type: none">• En invierno, no configure el control de temperatura en 1 °C. Esto puede provocar problemas de desempeño de enfriamiento.• En verano, no configure el control de temperatura entre 5 y 7 °C. Esto puede provocar problemas de desempeño de enfriamiento.
Power Cool (Refrigeración rápida)	<p>Power Cool (Refrigeración rápida) acelera el proceso de enfriamiento con la velocidad máxima del ventilador. El refrigerador funciona a máxima velocidad durante varias horas antes de volver a la temperatura previa.</p> <ul style="list-style-type: none">• Para activar Power Cool (Refrigeración rápida), presione y mantenga presionado el botón Fridge (Refrigerador) durante 3 segundos. Se enciende el indicador correspondiente (🔆) y el refrigerador acelerará el proceso de congelación.• Para desactivar Power Cool (Refrigeración rápida), presione y mantenga presionado Fridge (Refrigerador) nuevamente durante 3 segundos. El refrigerador vuelve a la temperatura configurada anteriormente. <p> NOTA</p> <p>Utilizar Power Cool (Refrigeración rápida) aumenta el consumo energético. Asegúrese de apagarlo y volver a la temperatura anterior si no tiene intenciones de utilizarlo.</p>



<p>Vacation (Vacaciones)</p>	<p>Si va a tomarse vacaciones o hacer un viaje de negocios o no necesita usar el refrigerador por un período prolongado, utilice el modo Vacation (Vacaciones).</p> <p>(Solo para los modelos tipo A y B)</p> <ul style="list-style-type: none">• Para activar el modo Vacation (Vacaciones), presione Fridge (Refrigerador) con el indicador de 1 °C seleccionado. El indicador de vacaciones (☼) se enciende mientras el indicador de la temperatura del refrigerador se apaga. El visor de los modelos Tipo A (Cool Select+) (Selección de frío+) y Tipo B (Cool Select Zone) (Zona de selección de frío) también se apaga. La temperatura del refrigerador se controlará por debajo de los 15 °C, pero el congelador permanecerá activo como se lo configuró anteriormente.• Para desactivar el modo Vacation (Vacaciones), presione Fridge (Refrigerador) nuevamente. La temperatura del refrigerador regresará a los 7 °C. Observe que los modelos Tipo A (Cool Select+) (Selección de frío+) y Tipo B (Cool Select Zone) (Zona de selección de frío) regresan al parámetro de temperatura del refrigerador. <p>(Solo para los modelos Tipo C)</p> <ul style="list-style-type: none">• Para activar el modo Vacation (Vacaciones), presione y mantenga presionado el botón Vacation (Vacaciones) durante 3 segundos. El indicador de vacaciones se enciende mientras el indicador de la temperatura del refrigerador se apaga. La temperatura del refrigerador se controlará por debajo de los 15 °C, pero el congelador permanecerá activo como se lo configuró anteriormente.• Para desactivar el modo Vacation (Vacaciones), presione y mantenga presionado nuevamente el botón Vacation (Vacaciones) durante 3 segundos. El refrigerador vuelve a la temperatura configurada anteriormente. <p> NOTA</p> <p>Se recomienda vaciar el compartimiento del refrigerador y asegurarse de que la puerta esté cerrada.</p> <p>Para los modelos Cool Select+ (Selección de frío+)/Cool Select Zone (Zona de selección de frío), el modo Vacation (Vacaciones) está controlado por debajo de los 15 °C como los ajustes del refrigerador. Sin embargo, el indicador correspondiente se apaga, de acuerdo con el modelo.</p>
----------------------------------	--




Funcionamiento

04 Selección de frío+ / Zona de selección de frío

Cool Select+ (Selección de frío+) (TIPO A)	<p>Presione y mantenga presionado el botón Cool Select+ (Selección de frío+) durante 3 segundos. Luego, presione nuevamente para seleccionar el modo deseado. Se enciende el indicador correspondiente.</p> <ul style="list-style-type: none">• Fridge (Refrigerador) Si se lo selecciona, la zona de selección de frío se establecerá en 3 °C.• Soft Freeze (Congelación suave) Si se lo selecciona, la zona de selección de frío se establece en -5 °C. Esto resulta de utilidad para conservar carne y/o pescado por períodos prolongados.• Freezer (Congelador) Si se lo selecciona, la zona de selección de frío se establece en -12 °C. Esto resulta de utilidad para conservar vegetales congelados por períodos prolongados.
Cool Select Zone (Zona de selección de frío) (Tipo B)	<p>Presione y mantenga presionado el botón Cool Select Zone (Zona de selección de frío) durante 3 segundos. Luego, presione nuevamente para seleccionar el modo deseado. Se enciende el indicador correspondiente.</p> <ul style="list-style-type: none">• Fridge (Refrigerador) Si se lo selecciona, la zona de selección de frío se establecerá en 3 °C.• -1 °C Zone (Zona de -1 °C) Si se lo selecciona, la zona de selección de frío se establece en -1 °C. Esto resulta de utilidad para conservar alimentos perecederos.• Fast Cooling (Enfriamiento rápido) Selecciónelo si desea enfriar alimentos rápidamente. La zona de selección de frío enfriará los alimentos a velocidad máxima durante 60 minutos.

05 Alarma de la puerta / Bloqueo del control

Door Alarm (Alarma de la puerta)	Puede configurar la alarma como recordatorio. Si la puerta queda abierta durante más de 2 minutos, se activará la alarma y el indicador titilará. Puede alternar para activar y desactivar la alarma presionando Door Alarm (Alarma de la puerta) . La alarma está activada como valor de fábrica.
Control Lock (Bloqueo del control)	A fin de evitar la manipulación accidental, presione y mantenga presionado el botón Door Alarm (Alarma de la puerta) durante 3 segundos para activar el Control Lock (Bloqueo del control). Todos los controles se desactivan con el indicador () encendido. Para desactivar la función, presione y mantenga presionado nuevamente durante 3 segundos. Los controles se activarán en forma normal.
Device authentication (Autenticación del dispositivo)	Cuando conecte el refrigerador a la aplicación Samsung Smart Home o a dispositivos inteligentes Samsung, como Samsung Smart TV, siga las instrucciones en pantalla de la aplicación o el dispositivo y mantenga presionado Door Alarm (Alarma de la puerta) durante 5 segundos. El panel de temperatura muestra "on (encendido)" durante 5 segundos antes de proceder a la autenticación. Tenga en cuenta que la función de alarma de la puerta no resulta afectada por la autenticación.



Funcionamiento

06 Network connection (Conexión de red) (solo para los modelos correspondientes)

Puede utilizar el Smart Home Dongle opcional (se vende por separado) para controlar y supervisar su refrigerador mediante la aplicación Samsung Smart Home. Para obtener más información, consulte la sección Samsung Smart Home.

NOTA

- Los sistemas de encriptación recomendados incluyen WPA/TKIP y WPA2/AES. No se admiten protocolos de autenticación Wi-Fi más nuevos o no estandarizados.
- Las redes inalámbricas pueden verse afectadas por el entorno de comunicación inalámbrica circundante.
- Si su proveedor de servicios de Internet ha registrado la dirección MAC de su computadora o módem para identificación, su Samsung Smart Refrigerator puede dar error al conectarse a Internet. Si esto ocurre, comuníquese con su proveedor de servicios de Internet para recibir asistencia técnica.
- La configuración de firewall de su sistema de red puede impedir que su Samsung Smart Refrigerator acceda a Internet. Comuníquese con su proveedor de servicios de Internet para recibir asistencia técnica. Si el síntoma persiste, comuníquese con un centro de servicios Samsung local o el minorista.
- Para configurar el punto de acceso (PA) inalámbrico, consulte el manual de usuario del PA:
- Los refrigeradores inteligentes Samsung con Samsung Smart Home son compatibles con Wi-Fi 2.4 GHz con protocolos IEEE 802.11 b/g/n y Soft-AP (se recomienda IEEE 802.11 n).
- Los enrutadores Wi-Fi no autorizados pueden no conectarse con los Samsung Smart Refrigerators correspondientes.

Samsung Smart Home (solo para los modelos correspondientes)

Instalación

Visite la tienda Google Play, Galaxy Apps o Apple App y busque "Samsung Smart Home". Descargue e instale la aplicación Samsung Smart Home provista por Samsung Electronics en su dispositivo inteligente.

NOTA

- La aplicación Samsung Smart Home se ha diseñado para Android 4.0 (ICS) o superior o iOS 7.0 o superior y está optimizada para teléfonos inteligentes Samsung (series Galaxy S y Galaxy Note). En otros modelos de teléfonos inteligentes, algunas funciones pueden operar en una manera distinta.
- Para obtener un desempeño mejorado, la aplicación Samsung Smart Home estará sujeta a cambios sin previo aviso o interrupción del soporte según la política del fabricante

Cuenta Samsung

Debe registrar su cuenta Samsung para utilizar la aplicación. Si no tiene una cuenta Samsung, siga las aplicaciones en pantalla de la aplicación para crear una cuenta Samsung.

Cómo comenzar

1. Inserte el Smart Home Dongle en el puerto correspondiente del refrigerador.



-
2. Ejecute la aplicación Samsung Smart Home y luego inicie sesión con su cuenta Samsung. Los usuarios de iPhone deben proporcionar los datos de ingreso cada vez que accedan a la aplicación.
 3. Acceda a **Device (Dispositivo)** > ícono + y luego toque **Refrigerator (Refrigerador)**.
 4. Siga las instrucciones que aparecen en pantalla para brindar la información necesaria acerca del enrutador y luego toque **Next (Siguiente)**.
 5. Mantenga presionado **Fridge (Refrigerador)** durante más de 5 segundos hasta que se muestre el mensaje "AP" en la pantalla. Su refrigerador quedará registrado en la aplicación.
 6. Después de completar el registro del dispositivo, el ícono del refrigerador aparecerá en la aplicación Samsung Smart Home.
 7. Toque el icono del refrigerador para abrir la página del refrigerador.
 8. Cuando se establece una conexión de red, el ícono de Wi-Fi se enciende en su refrigerador.

Aplicación del refrigerador

Control integrado

Puede supervisar y controlar su refrigerador en su casa así como también cuando se encuentre de viaje.

- Toque el icono del refrigerador en Samsung Smart Home para abrir la página del refrigerador.
- Controle el estado de operación o las notificaciones de su refrigerador y modifique las opciones o parámetros su fuera necesario.

NOTA

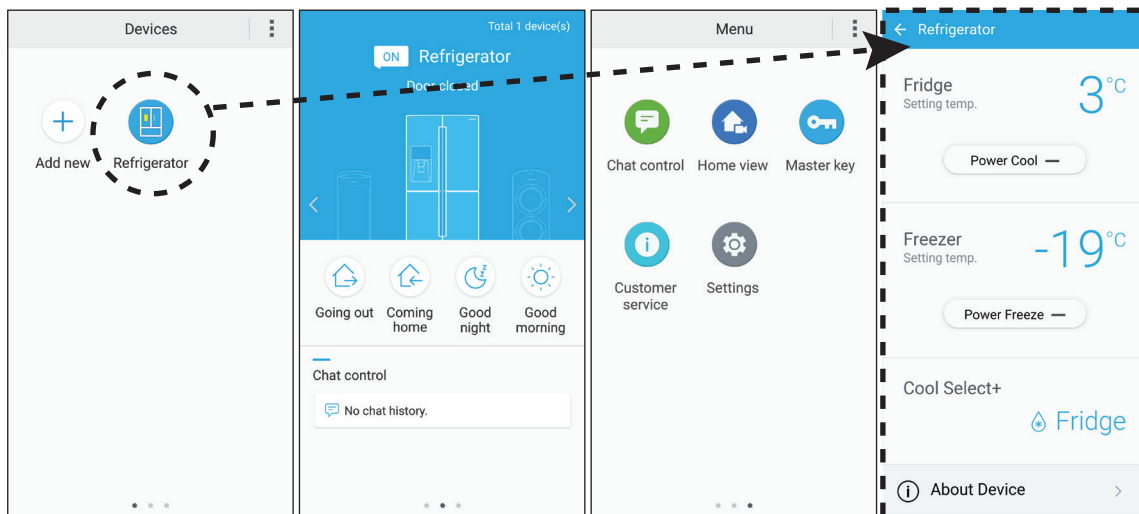
Algunas opciones o paréntesis del refrigerador pueden no estar disponibles para el control remoto.

Funcionamiento

Funciones clave

Registre los electrodomésticos inteligentes de Samsung en el servidor Samsung Smart Home para obtener acceso remoto.

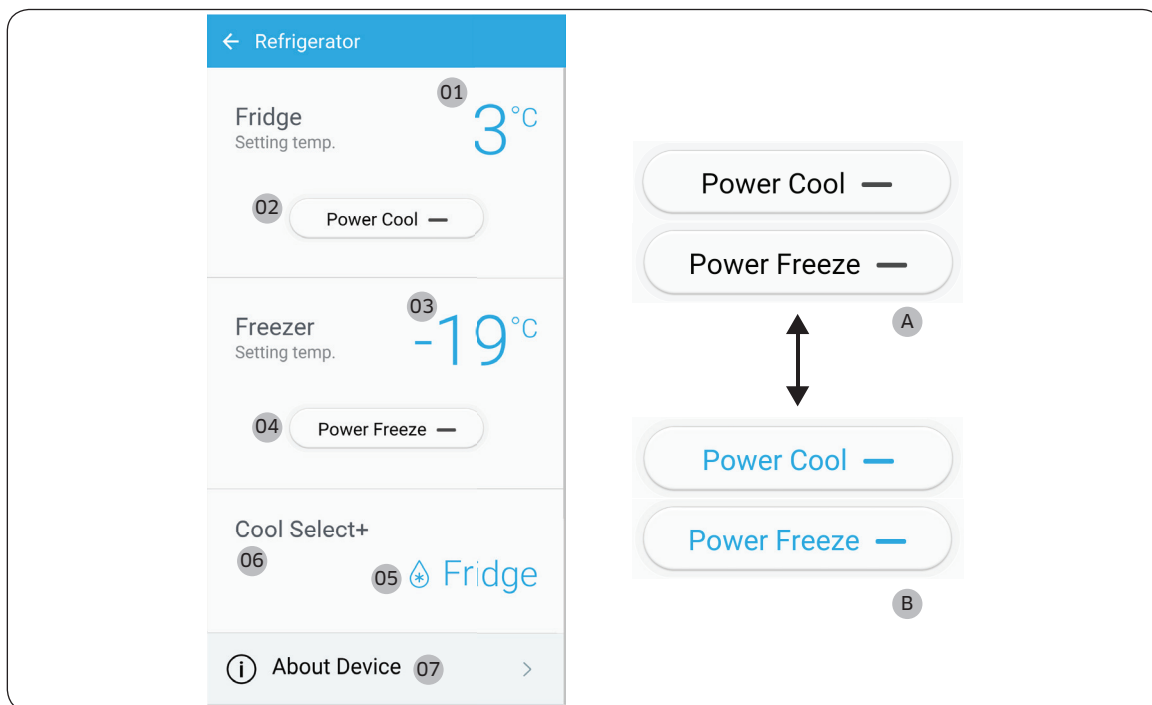
Descripción general del menú



- Toque Refrigerator (Refrigerador) para abrir la página de ajustes del refrigerador.
- Deslice el dedo por la pantalla para pasar a la página siguiente.

Chat control (Control de comunicaciones)	Puede controlar sus dispositivos Samsung smart home en forma remota o controlar su estado de operación.
Home view (Vista de casa) (solo para los modelos correspondientes)	Al utilizar la cámara integrada de un dispositivo Samsung smart home, podrá supervisar su sala de estar. Esta función está disponible únicamente para los modelos correspondientes.
Master key (Llave maestra)	La llave maestra ha sido diseñada para controlar el sistema de bloqueos para las diferentes actividades del usuario como salir, llegar a casa, irse a dormir y despertarse por la mañana. Esta función está disponible únicamente para los modelos correspondientes.
Customer service (Atención al cliente)	El manual del usuario puede descargarse y también se proporciona la información para atención al cliente.
Settings (Ajustes)	Puede controlar los dispositivos conectados así como también la información del software (versión y licencias de código abierto) y agregar dispositivos o seleccionar un país. Puede simular el funcionamiento del dispositivo actual para realizar una demostración.

Ajustes del refrigerador



A : Desactivado (negro)

B : Activado (azul)

Fridge (Refrigerador)	<p>01 Muestra la temperatura configurada actualmente del refrigerador.</p> <p>02 Puede encender o apagar la refrigeración rápida y ver la configuración actual.</p>
Freezer (Congelador)	<p>03 Muestra la temperatura configurada actualmente del congelador.</p> <p>04 Puede encender o apagar la congelación rápida y ver la configuración actual.</p>
Cool Select (Selección de frío)	<p>05 Muestra el ajuste de modo actual.</p> <p>06 De acuerdo con el modelo, aparece Cool Select+ (Selección de frío+), Cool Select Zone (Zona de selección de frío) o nada.</p>

Funcionamiento

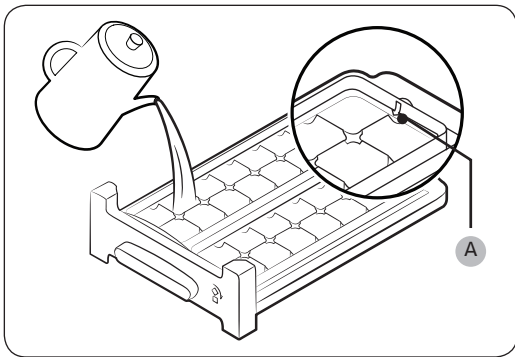
<p>About Device (Acerca del dispositivo)</p>	<p>07 Muestra la información del producto, incluye la versión actual, un tutorial, autoverificación y mesa de ayuda. El manual del usuario puede descargarse y también se proporciona la información para atención al cliente.</p> <p>Self Check (Autoverificación)</p> <p>Al realizar una autoverificación, podrá verificar los resultados diagnósticos de su refrigerador. Si detecta algún síntoma anormal, la autoverificación muestra una información que puede utilizarse para la atención al cliente.</p>
--	--

Funciones especiales

La imagen real y las funciones especiales del refrigerador pueden diferir, dependiendo del modelo y del país.

Máquina de hielo (solo para los modelos correspondientes)

Máquina de hielo de giro



1. Abra la puerta del congelador y deslice la charola de hielo.
2. Llene la charola con agua hasta el nivel máximo (A) marcado en la parte posterior de la charola.
3. Coloque nuevamente la charola en su posición.

NOTA

El tiempo de fabricación de hielo depende de la configuración de la temperatura.

NOTA

- Asegúrese de que el depósito de cubos de hielo esté en su lugar debajo de la charola para hielo.
- Para servir cubos de hielo, gira la manija del compartimiento hacia la derecha a fin de colocar la mitad de los cubos de hielo en el compartimiento. Luego, gírela hacia la izquierda para vaciar la otra mitad.
- Retire el compartimiento girándolo y tirando levemente hacia el frente.

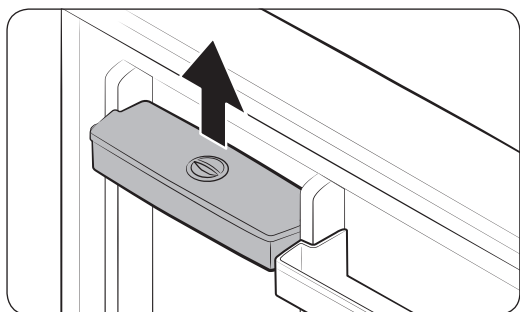
Funcionamiento

Dispensador de agua

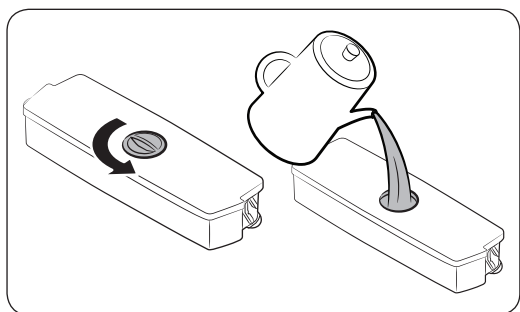
Con el dispensador de agua, puede obtener agua sin abrir la puerta del refrigerador. El tanque de agua debe llenarse con agua potable antes de utilizarlo.

Para llenar el tanque de agua con agua potable

Abra la puerta y localice el tanque de agua ubicado en el área de los estantes de la puerta.



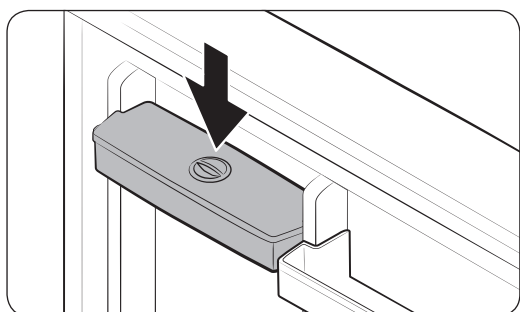
1. Sostenga las asas de ambos lados del tanque de agua y levántelo para retirarlo.



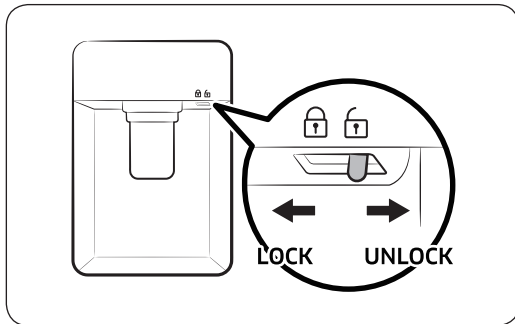
2. Llene el tanque con hasta 2.8 litros de agua potable. Puede retirar la tapa superior o la cubierta y verter el agua.

NOTA

Por primera vez, limpie el lado interno del tanque de agua.



3. Vuelva a colocar el tanque de agua y cierre la puerta. Asegúrese de que la salida de agua del tanque esté hacia adelante.



4. Coloque un vaso debajo de la salida del dispensador y presione suavemente la palanca para obtener agua. Asegúrese de que el tanque de agua esté desbloqueado.

PRECAUCIÓN

- El dispensador está diseñado para proporcionar agua potable. Llene el tanque de agua solamente con agua potable. No lo llene con otros líquidos.
- No llene excesivamente el tanque de agua para evitar derrames.
- No intente llenar el tanque de agua sin retirarlo de la puerta.
- Asegúrese de que el tanque de agua esté asentado correctamente.
- No utilice el refrigerador sin el tanque de agua. Esto podría reducir el desempeño y la eficiencia.
- Para impedir que se derrame el agua, asegúrese de alinear el vaso con la palanca del dispensador.

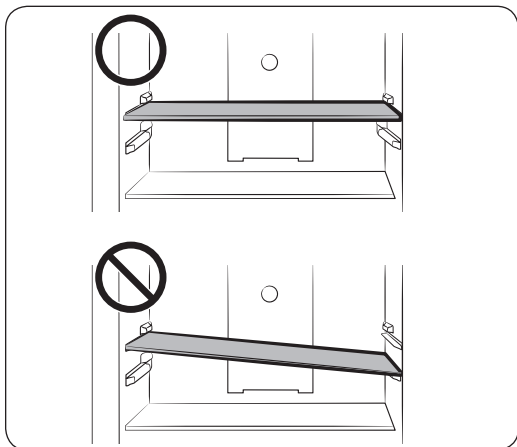
NOTA

Si necesita más espacio, puede usar el tanque de agua para almacenar alimentos. En este caso, retire la tapa del tanque.

Mantenimiento

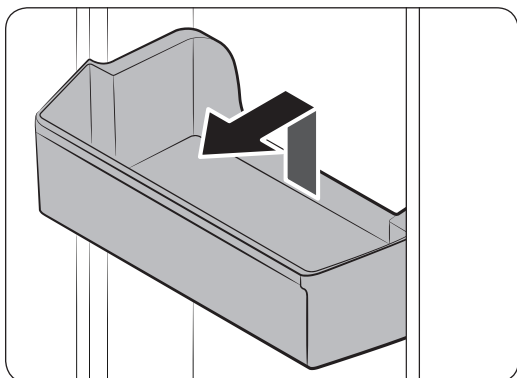
Manipulación y cuidado

Estantes del congelador y refrigerador



- Para retirar un estante, primero abra la puerta por completo. Empuje el estante hacia adelante, levántelo y tire hacia afuera.
- Al reinsertar el estante, asegúrese de que el rótulo "Front" (Frente) del estante esté hacia adelante.
- No intente inclinar el estante para calzarlo.

Guardas de la puerta



Levante levemente y retire la guarda de la puerta.

⚠ PRECAUCIÓN

A fin de evitar accidentes, vacíe las guardas de la puerta antes de retirarlas.

Limpieza

Utilice un paño seco regularmente para retirar cualquier sustancia extraña como polvo o agua de las terminales del enchufe de alimentación y los puntos de contacto.

1. Desconecte el cable de alimentación del refrigerador.
2. Utilice un paño húmedo que no deje pelusa o una toalla de papel para limpiar el interior y el exterior del refrigerador.
3. Al terminar, utilice un paño seco o toalla de papel para secarlo bien.
4. Enchufe el cable de alimentación del refrigerador para encender el refrigerador.

NOTA

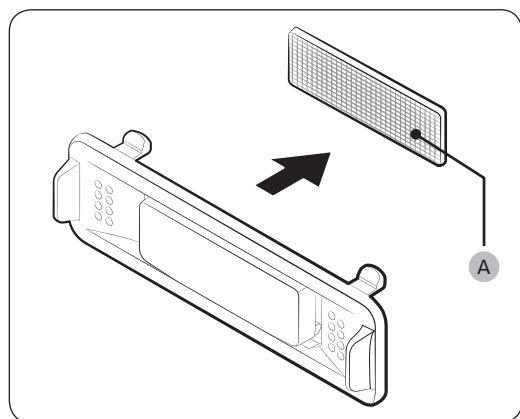
Si ha retirado alguna de las piezas removibles como los estantes para limpiarlos, consulte la disposición general de la sección Qué se incluye para asegurarse de colocarlos correctamente.

ADVERTENCIA

- No utilice benceno, solvente ni detergente para automóviles/hogareño como Clorox™ para limpiar. Pueden dañar la superficie del refrigerador y provocar un incendio.
- No rocíe agua sobre el refrigerador. Puede provocar una descarga eléctrica.
- No coloque los dedos ni otros objetos en el hueco del dispensador.

Reemplazo

Filtro desodorizador (solo para los modelos correspondientes)



Sosteniendo los lados superior e inferior del compartimento del filtro, destrábelo para ver el **filtro desodorizador (A)**. Reemplace el filtro e inserte el compartimento nuevamente.

Lámparas y filtro antibacterias

El usuario no debe reemplazar las lámparas ni el filtro antibacterias. No intente reemplazarlos usted mismo. Para reemplazarlos, comuníquese con un centro de servicios Samsung local.

Solución de problemas

Si detecta una situación anormal con el refrigerador, en primer lugar consulte la siguiente tabla e intente implementar las sugerencias.

General

Síntoma	Acción
No funciona ni enfría.	<ul style="list-style-type: none">• Asegúrese de que el cable de alimentación esté conectado adecuadamente.• Asegúrese de que el control de temperatura esté configurado correctamente.• Asegúrese de mantener el refrigerador alejado de la luz solar directa y las fuentes de calor. No hacerlo puede afectar el desempeño de enfriamiento.• Asegúrese de que el refrigerador cuente con espacio libre suficiente con respecto a las paredes trasera y lateral o el gabinete. No hacerlo puede afectar el desempeño de enfriamiento.• Demasiados alimentos pueden bloquear la ventilación del refrigerador. Para mantener el funcionamiento normal del refrigerador, no almacene demasiados alimentos.
Los alimentos del refrigerador se congelan.	<ul style="list-style-type: none">• Verifique que el control de temperatura esté en la temperatura más baja. De ser así, lleve la temperatura a un valor más elevado o al nivel óptimo.• Esto ocurre si la temperatura ambiente es demasiado baja. Eleve la temperatura.• Controle si los alimentos con altos contenidos de agua se encuentran en la zona más fría del refrigerador o cerca del ventilador de enfriamiento. Si fuera así, coloque dichos alimentos en otros estantes del refrigerador.
Hace ruido.	<ul style="list-style-type: none">• Asegúrese de que el refrigerador esté instalado en una superficie estable y plana.• Asegúrese de que el refrigerador cuente con espacio libre suficiente con respecto a las paredes trasera y lateral o el gabinete.• Asegúrese de evitar que entren impurezas u objetos extraños dentro o debajo del refrigerador.• El refrigerador puede generar un "tic" desde adentro, que ocurre cuando las diversas piezas removibles se contraen o expanden. No se trata de una falla del sistema.

Síntoma	Acción
Los ángulos frontales y los laterales se calientan y generan condensación.	<ul style="list-style-type: none"> • A fin de evitar que se forme condensación, el refrigerador cuenta con tuberías a prueba de calor en los ángulos frontales. Si la temperatura aumenta, es posible que el equipo no funcione eficazmente. No se trata de una falla del sistema. • Puede generarse condensación en la superficie externa del refrigerador cuando la humedad en el aire entra en contacto con la superficie fría del aparato.
La fábrica de hielo no hace hielo.	<ul style="list-style-type: none"> • Debe esperar 12 horas hasta que el refrigerador haga hielo. • Asegúrese de que la fábrica de hielo no se detenga mientras congela. • Asegúrese de que el congelador esté configurado por debajo de 0 °C (o -5 °C en climas cálidos). • Asegúrese de que el tanque de agua esté lleno.
El dispensador de agua no funciona.	<ul style="list-style-type: none"> • Verifique que el tanque de agua no esté congelado. De ser así, seleccione una temperatura más elevada. • Asegúrese de que el tanque de agua esté lleno. • Asegúrese de que el tanque de agua esté instalado correctamente. • Asegúrese de que el filtro de agua esté instalado correctamente.
Hace un ruido burbujeante.	<ul style="list-style-type: none"> • El refrigerador hace este sonido durante el proceso de enfriado, lo cual es normal.
Surge un mal olor desde dentro del refrigerador.	<ul style="list-style-type: none"> • Verifique si hay alimentos descompuestos. Recomendamos limpiar el refrigerador regularmente y retirar alimentos descompuestos o sospechosos. • Asegúrese de que los alimentos con olores fuertes estén envueltos al vacío.
Se forma hielo en las paredes internas.	<ul style="list-style-type: none"> • Asegúrese de que los alimentos no bloqueen las ventilaciones del refrigerador. También es importante ordenar los alimentos en forma uniforme para facilitar la ventilación. • Asegúrese de que la puerta esté cerrada adecuadamente.
Se genera condensación sobre las paredes internas o alrededor de los vegetales.	<ul style="list-style-type: none"> • Esto ocurre cuando se almacenan alimentos con alto contenido de agua sin cubrirlos o se ha dejado la puerta abierta durante un momento. • Asegúrese de que los alimentos estén cubiertos o almacenados en recipientes al vacío.

Solución de problemas

Samsung Smart Home

Síntoma	Acción
No se encuentra "Samsung Smart Home" en el mercado de aplicaciones.	<ul style="list-style-type: none">La aplicación Samsung Smart Home se encuentra disponible en todos los teléfonos inteligentes que utilizan Android 4.0 (ICS) o superior o iOS 7.0 o superior.
La aplicación Samsung Smart Home no funciona.	<ul style="list-style-type: none">La aplicación Samsung Smart Home está disponible únicamente en los modelos correspondientes.La aplicación Samsung Smart Refrigerator antigua no puede conectarse con los modelos Samsung Smart Home.
La aplicación Samsung Smart Home está instalada pero no se conecta a mi refrigerador.	<ul style="list-style-type: none">Debe iniciar una sesión con su cuenta Samsung para utilizar la aplicación.Asegúrese de que su enrutador funcione normalmente.Asegúrese de que el Smart Home Dongle esté insertado correctamente.Si el ícono de Wi-Fi del visor del refrigerador está apagado, significa que no se ha establecido aún la conexión de red. En este caso, use la aplicación Samsung Smart Home para conectarse y registrar el refrigerador en el punto de acceso (PA) de su casa.
No se puede iniciar una sesión en la aplicación.	<ul style="list-style-type: none">Debe iniciar una sesión con su cuenta Samsung para utilizar la aplicación.Si no tiene una cuenta Samsung, siga las aplicaciones en pantalla de la aplicación para crear una.
Cuando trato de registrar mi refrigerador aparece un mensaje de error.	<ul style="list-style-type: none">Easy Connection puede fallar como resultado de la distancia con respecto al punto de acceso (PA) o una interferencia eléctrica del entorno circundante. Espere un momento e inténtelo nuevamente.
La aplicación Samsung Smart Home está conectada correctamente a mi refrigerador pero no funciona.	<ul style="list-style-type: none">Salga y reinicie la aplicación Samsung Smart Home o desconecte el enrutador y conéctelo nuevamente.Retire el Smart Home Dongle y vuelva a conectarlo correctamente. Luego, vuelva a intentarlo.

Notas

Notas

Notas

Contacte con SAMSUNG WORLD WIDE

Si tiene alguna pregunta o comentario acerca de productos Samsung, por favor contacte con el servicio de atención al cliente de SAMSUNG.

País	Centro de contacto	Sitio web
ARGENTINA	0800-555-SAMSUNG(7267)	www.samsung.com/ar
URUGUAY	0800-SAMS(7267)	www.samsung.com/uy
PARAGUAY	0800-11-SAMS(7267)	www.samsung.com/py
CHILE	800-SAMSUNG(726-7864) [HHP] 2-2482 8200	www.samsung.com/cl/support
BOLIVIA	800-10-7260	www.samsung.com/cl/support
COLOMBIA	Bogotá en el 600 12 72 Sin costo en todo el país 01 8000 112 112 Y desde tu celular #726	www.samsung.com/co/support
COSTA RICA	00-800-1-SAMSUNG (726-7864)	www.samsung.com/latin/support (Spanish) www.samsung.com/latin_en/support (English)
DOMINICAN REPUBLIC	1-800-751-2676	www.samsung.com/latin/support (Spanish) www.samsung.com/latin_en/support (English)
ECUADOR	1-800-SAMSUNG (72-6786)	www.samsung.com/latin/support (Spanish) www.samsung.com/latin_en/support (English)
EL SALVADOR	8000-SAMSUNG (726-7864)	www.samsung.com/latin/support (Spanish) www.samsung.com/latin_en/support (English)
GUATEMALA	1-800-299-0033	www.samsung.com/latin/support (Spanish) www.samsung.com/latin_en/support (English)
HONDURAS	800-2791-9111	www.samsung.com/latin/support (Spanish) www.samsung.com/latin_en/support (English)
JAMAICA	1-800-SAMSUNG (726-7864)	www.samsung.com/latin_en/support (English)
NICARAGUA	001-800-5077267	www.samsung.com/latin/support (Spanish) www.samsung.com/latin_en/support (English)
PANAMA	800-0101	www.samsung.com/latin/support (Spanish) www.samsung.com/latin_en/support (English)
PERU	080077708 Desde teléfonos fijos ó públicos (01)7116800 Desde teléfonos celulares	www.samsung.com/pe/support
PUERTO RICO	1-800-682-3180	www.samsung.com/latin/support (Spanish) www.samsung.com/latin_en/support (English)
TRINIDAD & TOBAGO	1-800-SAMSUNG(726-7864)	www.samsung.com/latin/support (Spanish) www.samsung.com/latin_en/support (English)
VENEZUELA	0-800-SAMSUNG (726-7864)	www.samsung.com/latin/support (Spanish) www.samsung.com/latin_en/support (English)



DA68-03370W-03