

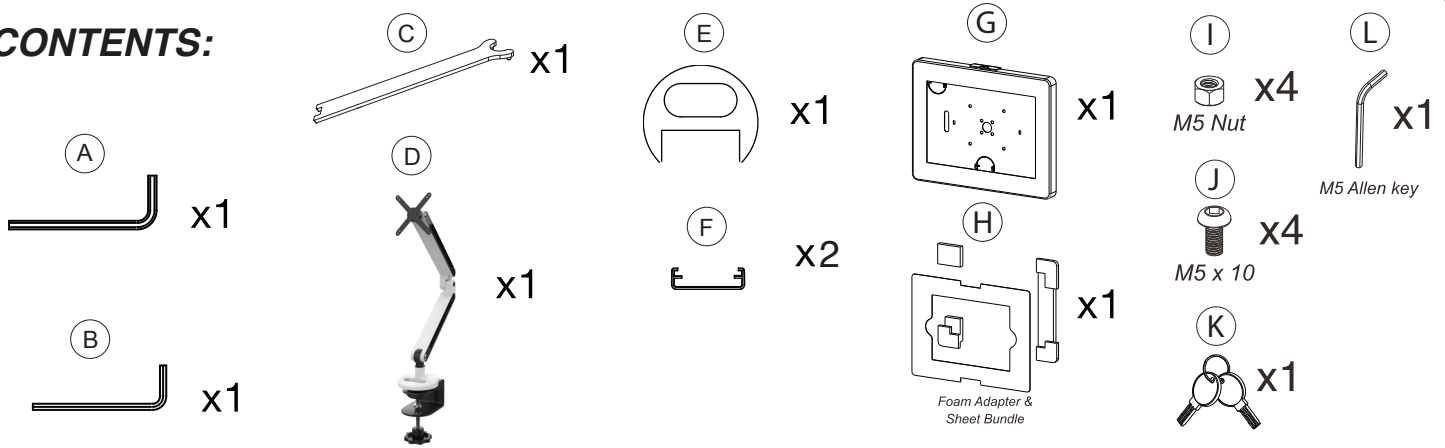


Articulating Desk Mount Arm with Universal Security Enclosure

INSTRUCTION MANUAL

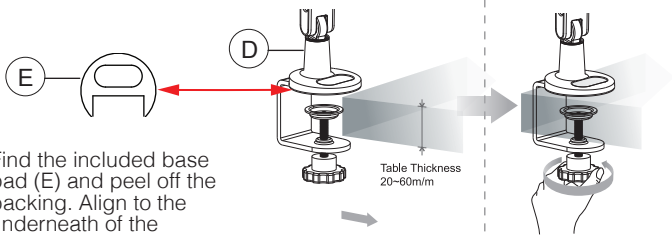
PAD-ADMAE

CONTENTS:



INSTRUCTIONS:

1 BASE MOUNT INSTALLATION



Find the included base pad (E) and peel off the backing. Align to the underneath of the C-Clamp (D) and apply pad.

While the clamp is in unlocked mode, rotate the knob at the bottom (as shown above) to loosen or securely tighten to the table top.

2 ARM & BASE CLAMP ADJUSTMENTS

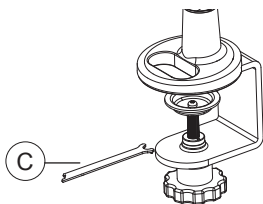


If you need to remove the arm from the base clamp, take the provided tool (B), rotate, and loosen connection.

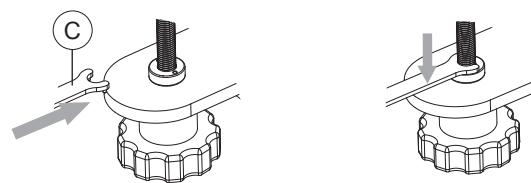
Remove arm (D) from the base clamp mount. Repeat steps in reverse order to re-install connection

3 BASE CLAMP SECURITY SETUP

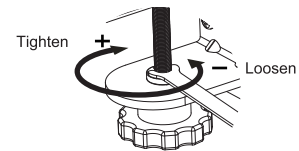
ALIGNING SECURITY TOOL WITH SECURITY COMPONENT



2A. When the C-Clamp is securely attached to a surface, use the provided security tool (C), attach to security component, and rotate clockwise to put the C-Clamp in an 'locked' state. To loosen, rotate counterclockwise with the security tool.



2B. Align the (2) dimples on the underneath of the security tool into the two holes on the security component on the clamp as shown above

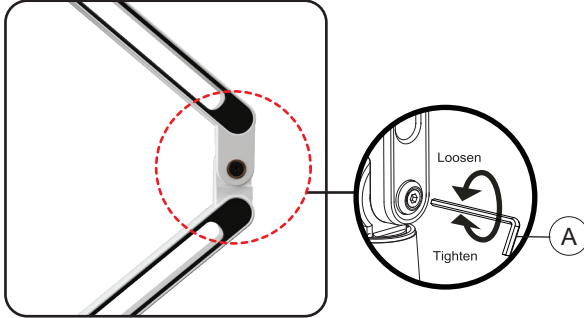


2C. Rotate counter-clockwise to loosen and place the clamp in an 'unlocked' state. Continue rotating until there is enough slack to rotate the knob. Turn it clockwise to tighten and place the clamp in a 'locked' state.

4 JOINT ADJUSTMENTS

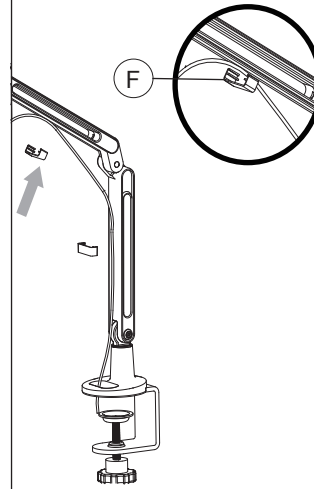
Caution

When all hinges and joints are tightened, do not attempt to forcibly flex the angles or positioning without loosening. Any attempt to do so will possibly have an effect on product integrity and CTA and manufacturer will not be responsible for any mishandling.



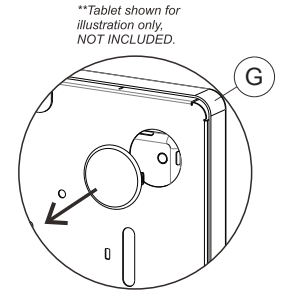
Each hinge of the product can be adjusted easily with the provided tool (A). Loosen to adjust and securely tighten after preferred position is set.

5 CABLE ROUTING



When routing cables from device to the power source, use provided clips (F) as shown to keep the cables organized and tight to the arms to avoid any slack.

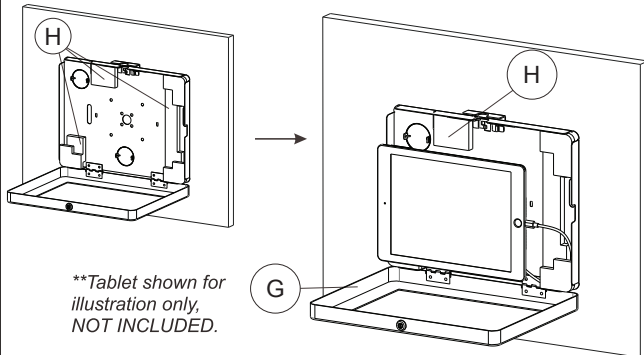
6 REMOVING BACK COVERS



**Tablet shown for illustration only, NOT INCLUDED.

When installing device into the enclosure, identify where the camera is. Then simply remove and pop out the cover prior to mounting or setting up tablet to properly expose camera.

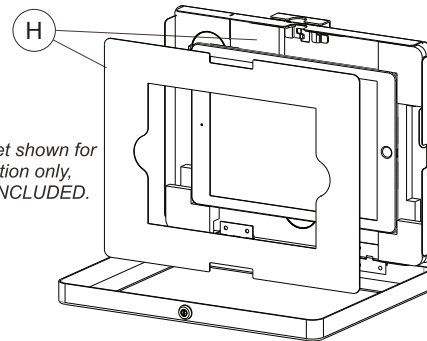
7 PLACING TABLET INTO ENCLOSURE



**Tablet shown for illustration only, NOT INCLUDED.

Find the appropriate size foam padding (H) for the tablet you wish to use. Make sure device is compatible for the enclosure. If having power/data cord attached to tablet, slide it through the back of the foam as shown and out the opening in the back.

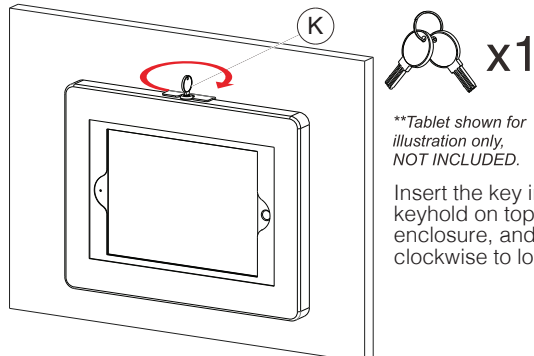
8 PLACING BLANK SHEET INSERT INTO ENCLOSURE



**Tablet shown for illustration only, NOT INCLUDED.

Lay-in correct masking insert from bundle (H) as needed the correct fitted look for your device.

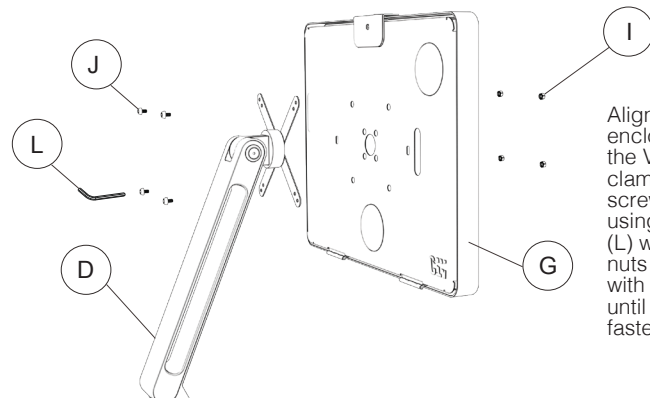
9 SETTING UP SECURITY



**Tablet shown for illustration only, NOT INCLUDED.

Insert the key into the keyhold on top of the enclosure, and turn clockwise to lock in place.

10 SETTING UP CLAMP WITH ENCLOSURE



Align VESA holes of enclosure with that of the VESA holes of the clamp. Rotate in screws (J) from behind using provided tool (L) while holding hex nuts from the front (I) with hands. Rotate in until securely fastened.