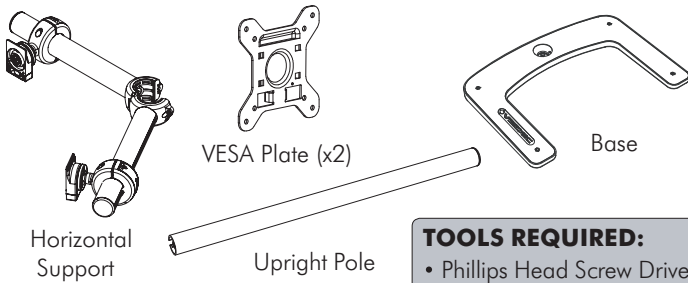
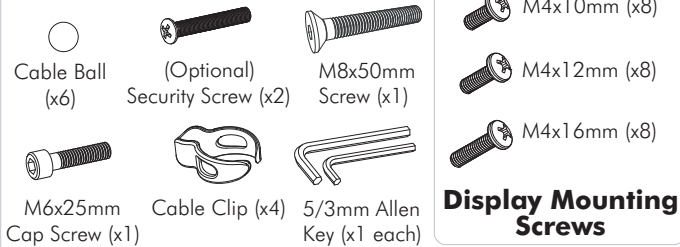


### Component Checklist



**TOOLS REQUIRED:**  
• Phillips Head Screw Driver

### Hardware



### IMPORTANT INFORMATION:

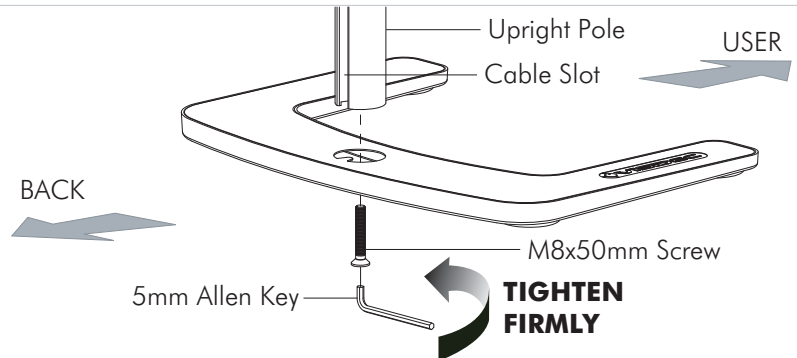
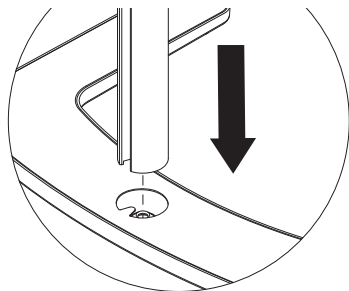
- ! **IMPORTANT - Install Freestanding/Double Horizontal as per Installation Instructions.**
- ! Each Quickshift Donut supports a maximum weight of 12kg (26.5lbs).
- ! This product supports VESA mounting hole configurations: 75x75mm and 100x100mm.
- ! The manufacturer accepts no responsibility for incorrect installation.

### Step 1. Check Components

Check you have received all parts against the component checklist and Hardware above.

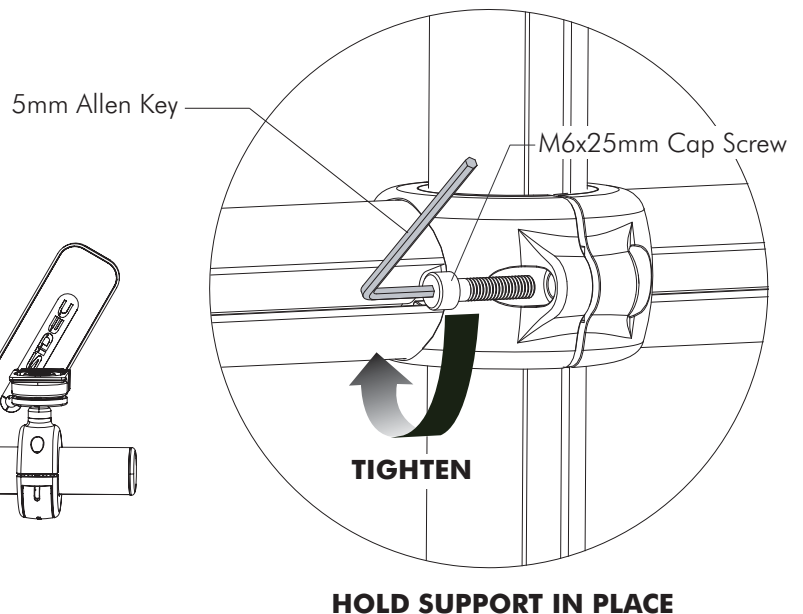
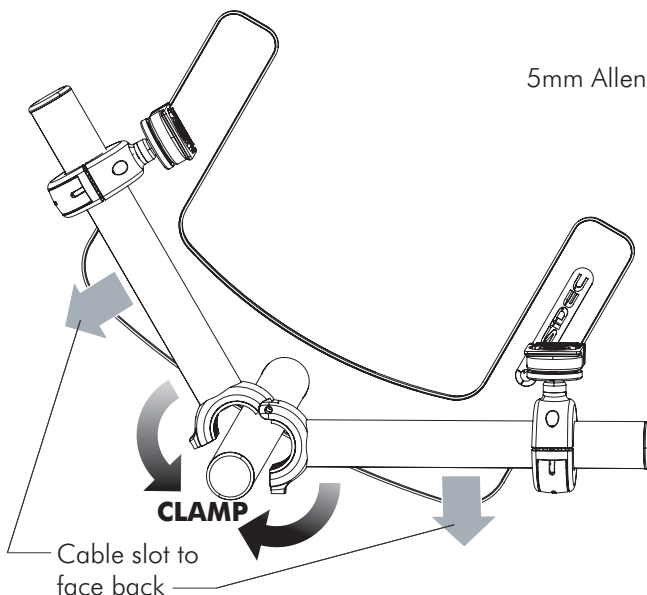
### Step 2. Attach Upright Pole to Base

Attach the Upright Pole to the Base as shown below. Ensure the Cable Slot faces towards the rear.



### Step 3. Attach Horizontal Support

Clamp the Horizontal Support around the Upright Pole at the required height. Ensure the Slots in all the Poles are facing to the rear. Tighten support using the M6x25mm Cap Screw and 5mm Allen Key supplied.

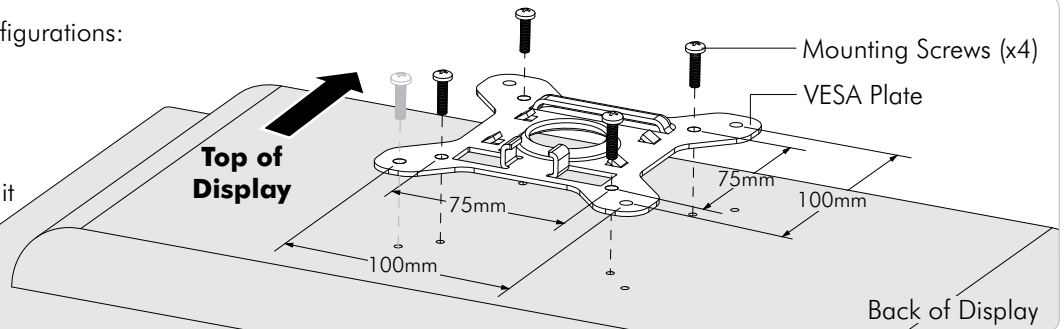


## Step 4. Attach the VESA Plate to your Display (Repeat steps 4 to 7 for each Display)

There are two mounting hole configurations:

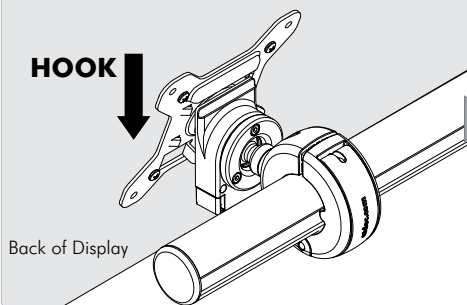
- 75 x 75mm
- 100 x 100mm

from the Hardware supplied to suit your Display.

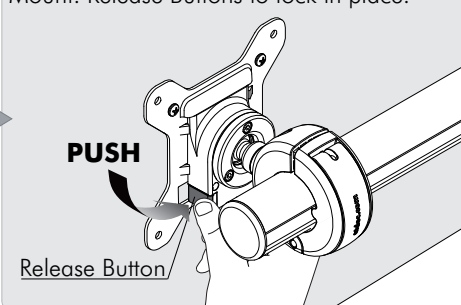


## Step 5. Attach your Display to the Quickshift Donut

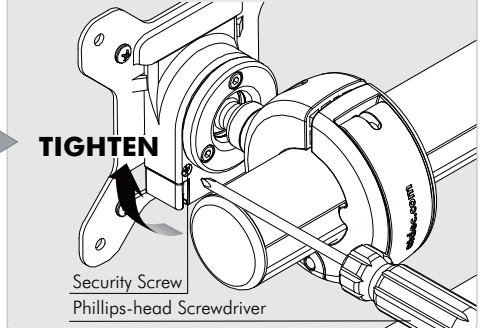
Hook the top of the VESA plate onto the Quickshift Mount.



Press and hold the Release Buttons. Gently push bottom of VESA Plate into Quickshift Mount. Release Buttons to lock in place.

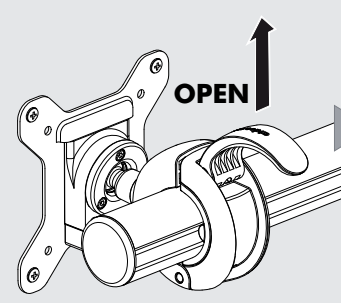


(Optional) Insert the Security Screw, and tighten using a Phillips-head Screwdriver.

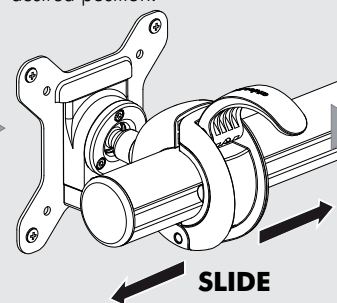


## Step 6. Adjust the Height of the Quickshift Donut

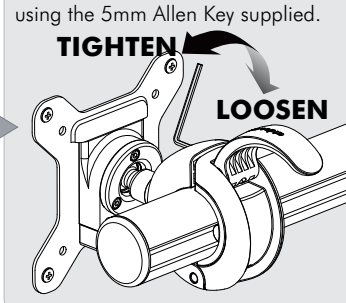
Open the lever to loosen the Quickshift Donut.



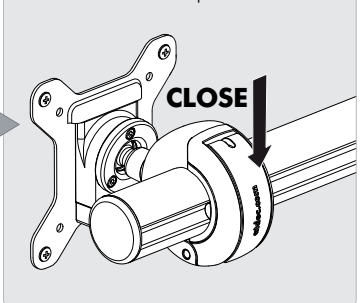
Slide the Quickshift Donut to desired position.



If necessary, adjust the tension between the Donut and the Pole using the 5mm Allen Key supplied.

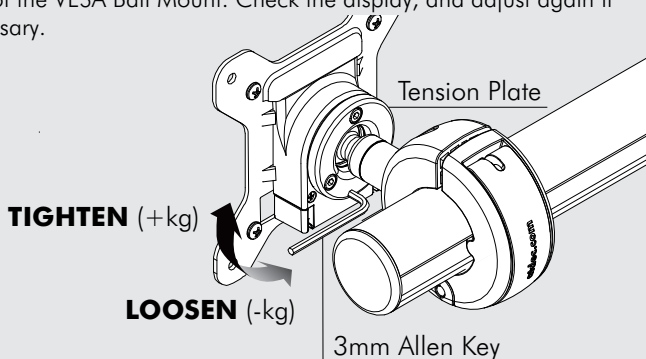


Close the lever to lock the Quickshift Donut in place.



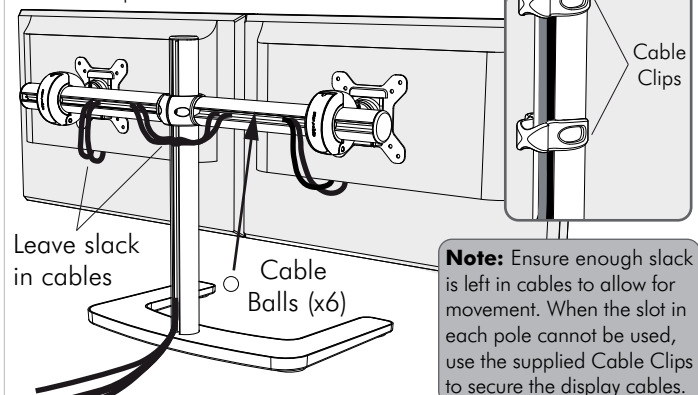
## Step 7. Adjust the VESA Ball Mount

Position your Display to the desired viewing angle using the  $\pm 20^\circ$  tilt allowed by the VESA Ball Mount. To make any adjustments, use the 3mm Allen Key supplied. Apply half a turn at a time to each screw on the Tension Plate to adjust evenly. If the display does not hold its position, or is too resistant, adjust the Tension Plate located at the rear of the VESA Ball Mount. Check the display, and adjust again if necessary.



## Step 8. Cable Management

Connect cables to your Displays, routing them down the rear of the poles. Push the cables into the slots, using either the Cable Balls or Cable Clips to secure them to the pole as shown.



## Installation Complete