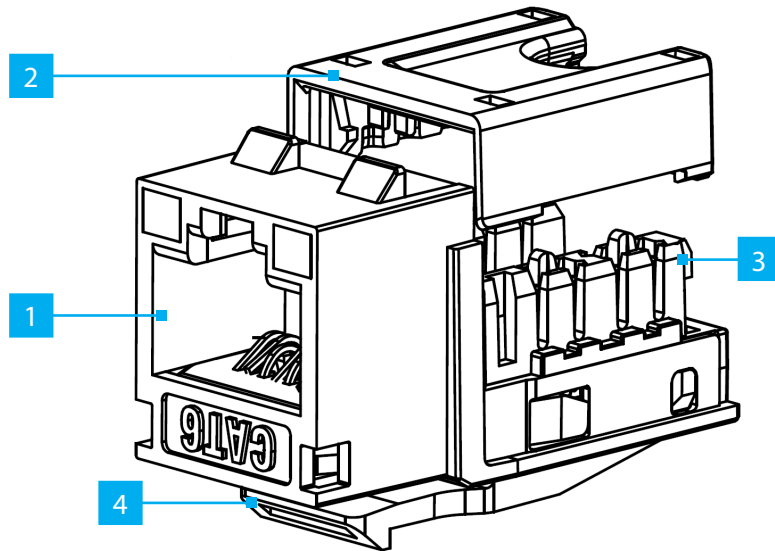


Installation Instructions for 110-Type RJ45 Keystone Jacks

Front View



*Product may vary from image

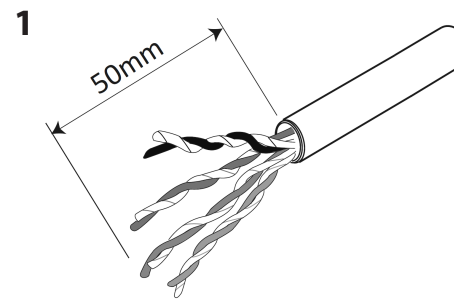
	Components	Function
1	RJ45 Port	<ul style="list-style-type: none"> Connect an RJ45 Ethernet Cable to the RJ45 Keystone Jack
2	Wire Cap	<ul style="list-style-type: none"> Secures wires after termination and maintains pressure on punch-down connections
3	Punch Down Blocks (aka IDC Terminals)	<ul style="list-style-type: none"> Insert twisted pair wires and terminate using a Punch-Down Tool Color-coded T568A/B layout for 110-Type termination is embossed on the RJ45 Keystone Jack for correct pairing
4	Snap-In Tab	<ul style="list-style-type: none"> Secures the RJ45 Keystone Jack into a Wall Plate or Patch Panel slot

Requirements

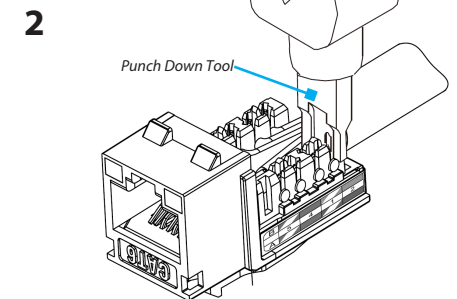
For the latest manuals, product information, technical specifications, and declarations of conformance, please visit: www.StarTech.com/support

- Ethernet Cable
- 110-Type Punch Down Tool (www.startech.com/110punchtool)
- Cable Stripper (www.startech.com/cablestripcut)

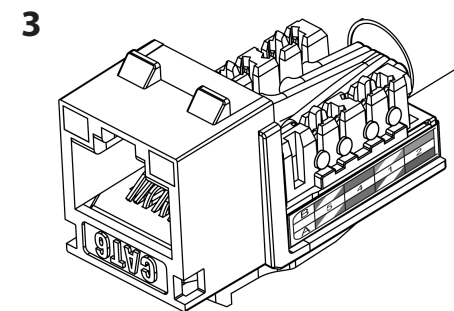
Installation



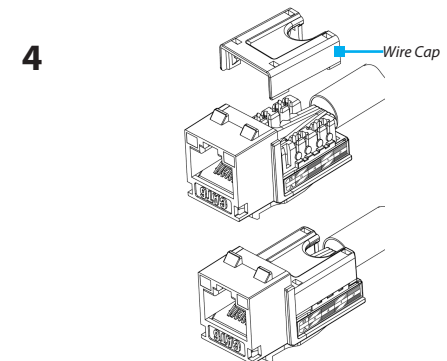
Note: Using a Cable Stripper, strip approximately 2 inches (50mm) of the outer jacket from the Ethernet Cable. Carefully separate the twisted pairs and straighten the individual wires.



Note: Insert the wires into the Punch Down Blocks. Ensure that the wires match the color-coded T568A/B configuration for correct termination. Use a 110 Punch Down Tool to firmly press the wires into the Punch Down Blocks.



Note: Punch down the remaining wires and trim off any excess wire neatly as shown.



Note: Place the Wire Cap over the Punch Down Blocks and press down firmly until it snaps into position. Install the RJ45 Keystone Jack into a Patch Panel or Wall Plate.

Use of Trademarks, Registered Trademarks, and other Protected Names and Symbols

This manual may make reference to trademarks, registered trademarks, and other protected names and/or symbols of third-party companies not related in any way to StarTech.com. Where they occur these references are for illustrative purposes only and do not represent an endorsement of a product or service by StarTech.com, or an endorsement of the product(s) to which this manual applies by the third-party company in question. StarTech.com hereby acknowledges that all trademarks, registered trademarks, service marks, and other protected names and/or symbols contained in this manual and related documents are the property of their respective holders.

Warranty Information

This product is backed by a two-year warranty.

For further information on product warranty terms and conditions, please refer to www.startech.com/warranty.

Limitation of Liability

In no event shall the liability of StarTech.com Ltd. and StarTech.com USA LLP (or their officers, directors, employees or agents) for any damages (whether direct or indirect, special, punitive, incidental, consequential, or otherwise), loss of profits, loss of business, or any pecuniary loss, arising out of or related to the use of the product exceed the actual price paid for the product. Some states do not allow the exclusion or limitation of incidental or consequential damages. If such laws apply, the limitations or exclusions contained in this statement may not apply to you.

Safety Measures

- Read the entire manual and ensure the instructions are fully understood before assembling and/or using this product.

Mesures de sécurité

- Lisez tout le manuel et assurez-vous que vous comprenez les instructions avant de commencer à assembler et utiliser ce produit.

安全対策

- 最初に取扱説明書を最後まで読み、本製品の組み立て方をすべて理解してから組み立て作業を始めて下さい。

Misure di Sicurezza

- Leggere l'intero manuale e assicurarsi di aver compreso tutte le istruzioni prima di iniziare ad assemblare e a utilizzare questo prodotto.

Säkerhetsåtgärder

- Läs hela manualen och se till att du förstår instruktionerna innan du börjar montera och använda produkten.

Medidas de Seguridad

- Lea todo el manual y asegúrese de haber comprendido bien las instrucciones antes de proceder con el ensamblaje y el uso de este producto.

Veiligheidsmaatregelen

- Lees de gehele handleiding en zorg dat u de instructies begrijpt voordat u dit product in elkaar zet en gebruikt.

Sicherheitsmaßnahmen

- Lesen Sie das gesamte Handbuch und vergewissern Sie sich, dass Sie die Anweisungen verstanden haben, bevor Sie das Produkt zusammenbauen und benutzen



StarTech.com Ltd.

45 Artisans Crescent
London, Ontario
N5V 5E9
Canada

StarTech.com LLP

4490 South Hamilton
Road
Groveport, Ohio
43125
U.S.A.

StarTech.com Ltd.

Unit B, Pinnacle 15
Gowerton Road
Brackmills,
Northampton
NN4 7BW
United Kingdom

StarTech.com Ltd.

Siriusdreef 17-27
2132 WT Hoofddorp
The Netherlands

FR: startech.com/fr

DE: startech.com/de

ES: startech.com/es

NL: startech.com/nl

IT: startech.com/it

JP: startech.com/jp