



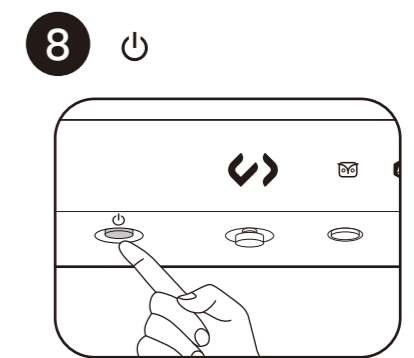
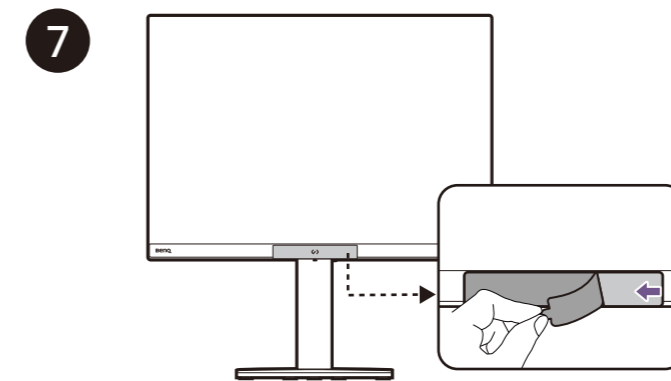
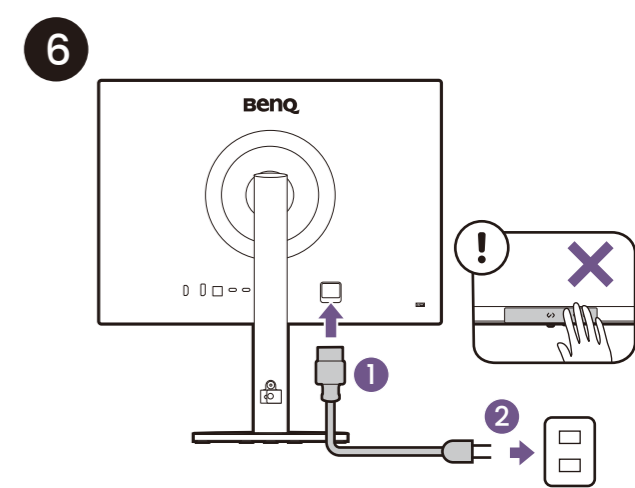
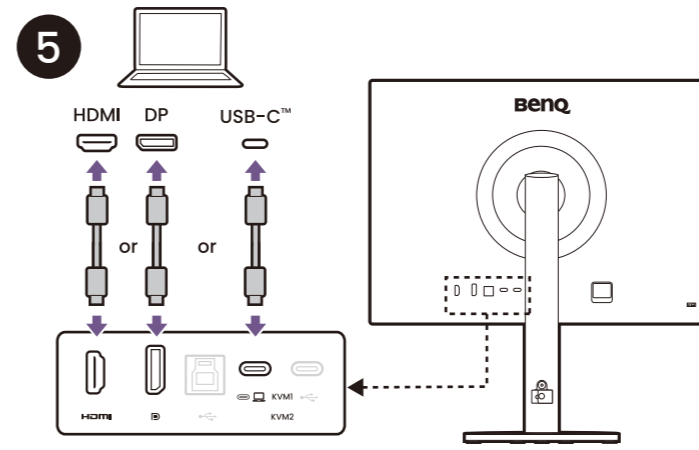
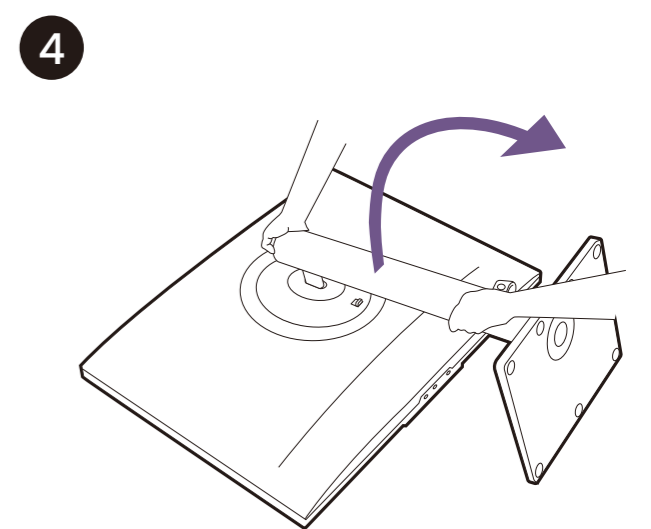
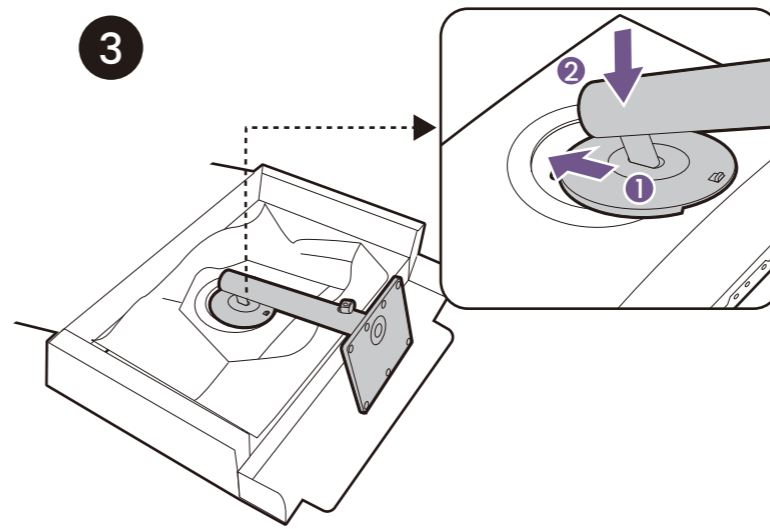
Easy start with videos

# LCD Monitor Quick Start Guide

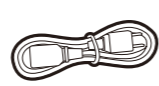
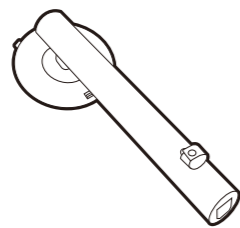
Programming Monitor | RD Series

DN: RD280UG-EQ-V0

© 2025 BenQ Corporation. All rights reserved. Rights of modification reserved.



## Package contents



Power cord



USB-C™

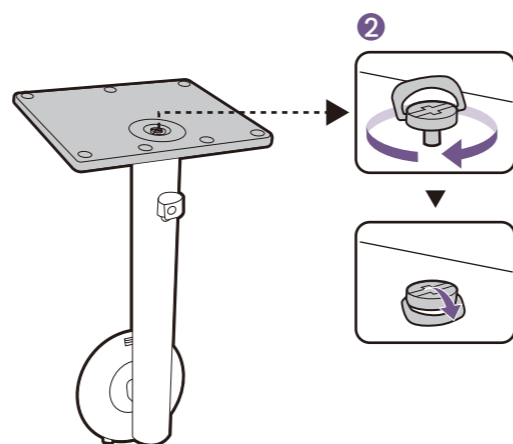
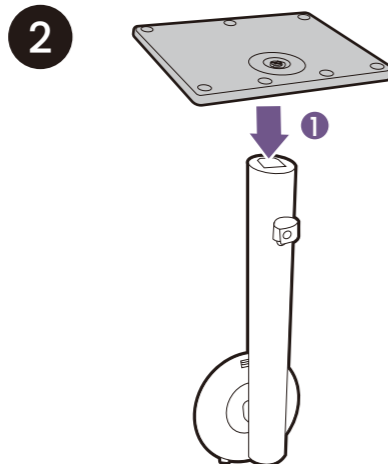
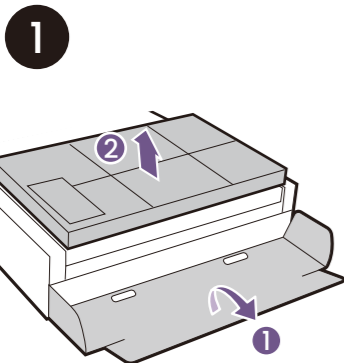


HDMI



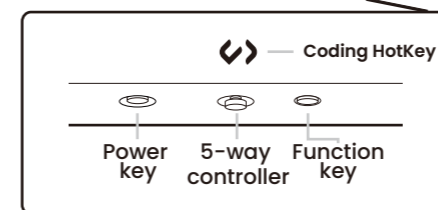
USB-B

## Setup

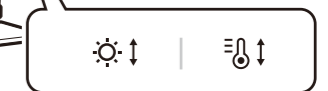


Programming Series  
Ultimate Coding Productivity

### Function Bar



### MoonHalo



Use 5-way controller (◀/▶) to access Quick Menu for MoonHalo

