

# IP8M-2496E-V2

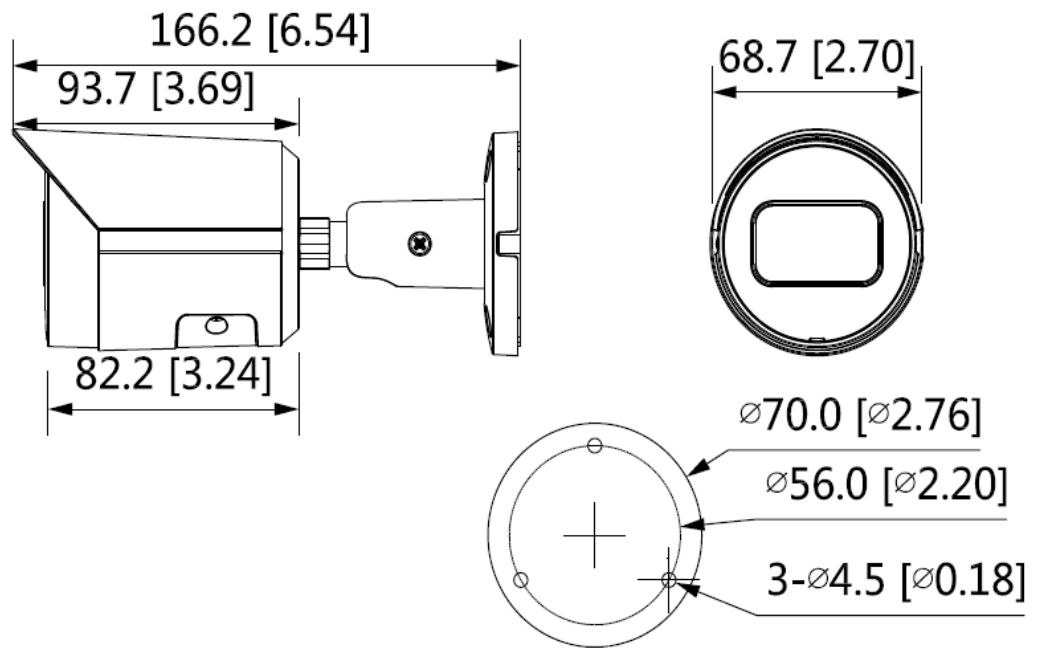
## Amcrest Ultra-HD 4K Outdoor AI Bullet Camera

### Technical Specifications

<b>Model</b>	<b>IP8M-2496EW-V2 / IP8M-2496EB-V2</b>				
<b>Camera</b>					
Image Sensor	1/2.7" 8Megapixel progressive CMOS				
Effective Pixels	3840 (H) × 2160 (V)				
RAM/ROM	256MB (RAM) / 128MB (ROM)				
Scanning System	Progressive				
Electronic Shutter Speed	Auto/Manual 1/3 s–1/100,000 s				
Minimum Illumination	0.009 Lux@F2.0				
IR Distance	98.43 ft				
IR On/Off Control	Auto/Manual				
IR LEDs	1				
Pan/Tilt/Rotation Range	Pan: 0°-360°, Tilt: 0°-90°, Rotation Range: 0°-360°				
<b>Lens</b>					
Lens Type	Fixed-Focal				
Mount Type	M12				
Focal Length	2.8mm				
Max Aperture	F2.0				
Field of View	H: 105°, V: 56°, D: 125°				
Iris Type	Fixed				
Close Focus Distance	3.3 ft				
DORI Distance	<b>Lens</b>	<b>Detect</b>	<b>Observe</b>	<b>Recognize</b>	<b>Identify</b>
	2.8mm	74.7 ft	98.1 ft	48.9 ft	24.6 ft
<b>Note:</b> The DORI distance calculated based on sensor specification and lab test result 62676-4 which defines the criteria for Detect, Observe, Recognize, and Identify.					
<b>IVS Features</b>					
IVS	Tripwire, Intrusion				
<b>Video</b>					
Compression	H.265, H.264, H.264B, MJPEG				
Smart Codec	Supported				
Frame Rate	Main Stream: 3840 x 2160 (1 fps – 15 fps) 2688 x 1520 (1 fps – 25/30 fps) Sub Stream: 704 x 576 (1 fps – 25 fps) 704 x 576 (1 fps – 30 fps)				
Stream Capability	2 Streams				

Resolution	3840 × 2160 (3840 × 2160); 3072 × 2048 (3072 × 2048); 3072 × 1728 (3072 × 1728); 2592 × 1944 (2592 × 1944); 2688 × 1520 (2688 × 1520); 3M (2048 × 1536); 2304 × 1296 (2304 × 1296); 1080p (1920 × 1080); 1.3M (1280 × 960); 720p (1280 × 720); D1 (704 × 576/704 × 480); VGA (640 × 480); CIF (352 × 288/352 × 240)
Bit Rate Control	CBR/VBR
Bit Rate	H.264: 32 Kbps – 8192 Kbps H.265: 12 Kbps – 8192 Kbps
Day / Night	Auto(ICR) / Color / B/W
BLC	Supported
HLC	Supported
WDR	120dB
White Balance	Auto/natural/streetlamp/outdoor/manual/regional custom
Gain Control	Auto/Manual
Noise Reduction	3D DNR
Motion Detection	Off / On (4 areas, rectangular)
Region of Interest	Up to 4 areas
Smart IR	Supported
Image Rotation	0°/90°/180°/270° (90° / 270° only supported with 8MP)
Mirror	Supported
Privacy Masking	4 areas
<b>Network</b>	
Network	RJ-45 (10/10/100 Base T)
Protocol	IPv4; IPv6; HTTP; HTTPS; TCP; UDP; ARP; RTP ; RTSP; RTCP; RTMP; SMTP; FTP; SFTP; DHCP; DNS; DDNS; UPnP; NTP; PPPoE;
Interoperability	ONVIF(Profile S/Profile G/Profile T); CGI; P2P
User/Host	20
Edge Storage	FTP, NAS, MicroSD (up to 256 GB)
Management Software	Amcrest Surveillance Pro, Amcrest View Pro (iOS/Android), Amcrest Cloud, Amcrest Blue Iris, most mainstream web browsers including; Google Chrome, Mozilla Firefox, Microsoft Edge, Safari, etc.
<b>General</b>	
Power Supply	12V DC, 2.0A / PoE (802.3 af)
Power Consumption	<5.5W
<b>Environment</b>	
Operating Conditions	–40°F to +140°F / less than ≤ 95% RH
Storage Temperature	–40°F to +140°F
Protection Grade	IP67
<b>Structure</b>	
Casing	Metal
Dimensions	6.54" × Φ2.76
Net Weight	1.1 lb.
Gross Weight	1.3 lbs.

### Dimensions (mm[inches])



### Mounting

Pole Mount	Junction Mount
AMCPFA134 + AMCPFA152-E	AMCPFA134
