

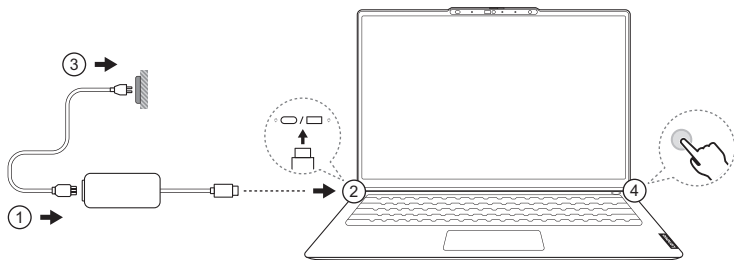
Lenovo
ThinkBook

Lenovo ThinkBook 14 Gen 6+
Lenovo ThinkBook 16 Gen 6+

Lenovo



Get it started



i Selected models come with a wall-mounted ac power adapter. Product illustrations may not be exactly the same as the actual product.

i Asterisks (***) are used in this publication to mark parts and features that are not available on all product models.



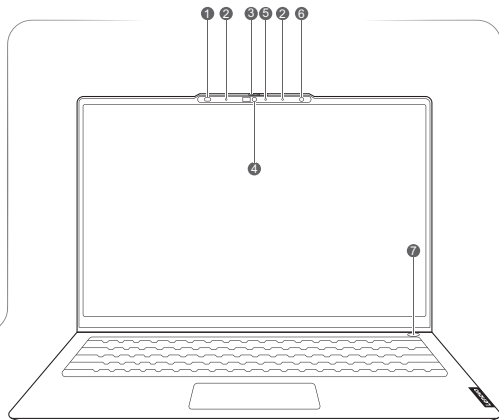
Overview

① ToF sensor*

② Microphones

③ Camera cover

④ Camera

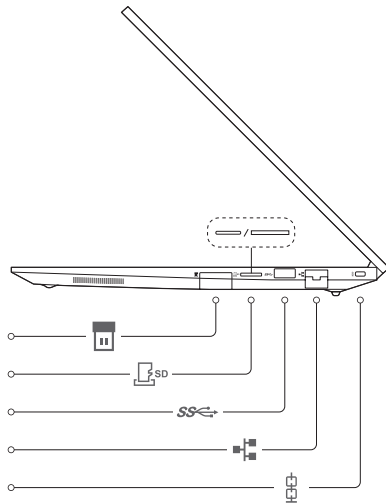
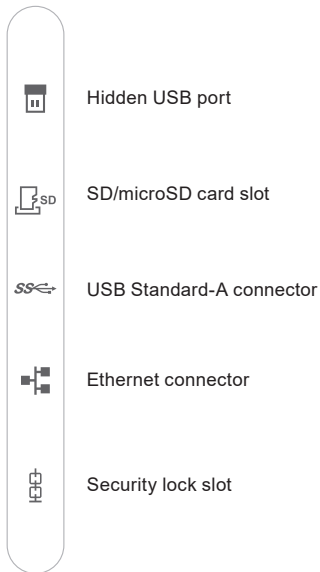


Camera light ⑤

Ambient light sensor ⑥

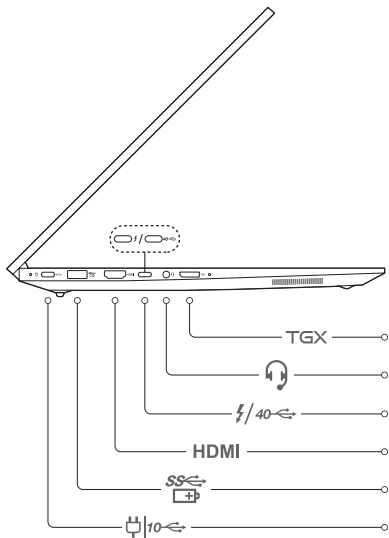
Power button
(with embedded
fingerprint reader*) ⑦

14/16-inch models



14/16-inch models

- i** The hidden USB port is designed for connecting nano receivers for wireless devices. The 14-inch models come with a microSD card slot while the 16-inch models come with an SD card slot.
- i** See *User Guide* for USB transfer rates.



14-inch models

TGX

External graphics extension dock connector*



Combo audio jack



Multi-purpose USB Type-C® connector

HDMI

HDMI™ connector



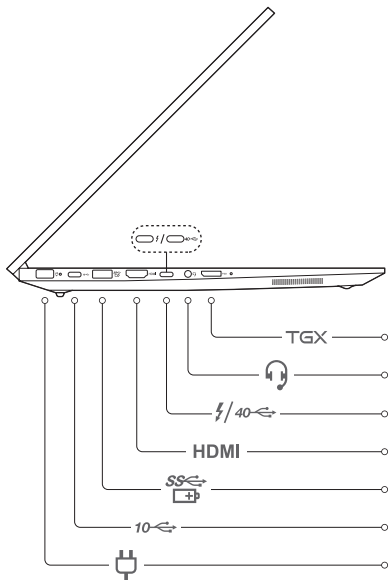
USB Standard-A connector (always-on)



Multi-purpose USB Type-C connector



The TGX connector is available on selected models.



16-inch models (rectangular power connector)

TGX

External graphics extension dock connector*



Combo audio jack



Multi-purpose USB Type-C connector

HDMI

HDMI connector



USB Standard-A connector (always-on)



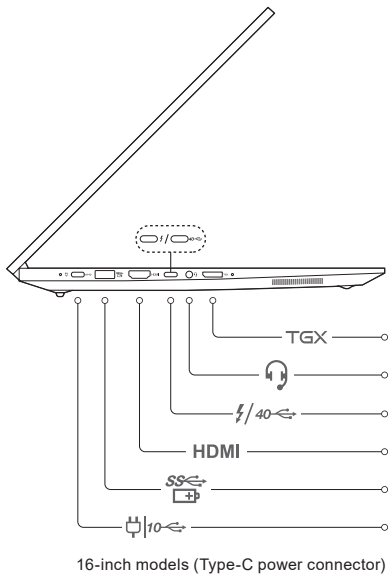
Multi-purpose USB Type-C connector


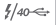

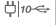


Power connector



The TGX connector is available on selected models.



- TGX External graphics extension dock connector*
-  Combo audio jack
-  Multi-purpose USB Type-C connector
- HDMI HDMI connector
-  USB Standard-A connector (always-on)
-  Multi-purpose USB Type-C connector

i The TGX connector is available on selected models.

First Edition (May 2024)
© Copyright Lenovo 2024.

Lenovo and the Lenovo logo are trademarks of Lenovo. The terms HDMI and HDMI High-Definition Multimedia Interface, and the HDMI logo are trademarks or registered trademarks of HDMI Licensing Administrator, Inc. in the United States and other countries. USB Type-C is a registered trademark of USB Implementers Forum. All other trademarks are the property of their respective owners.

LIMITED AND RESTRICTED RIGHTS NOTICE:

If data or software is delivered pursuant to a General Services Administration "GSA" contract, use, reproduction, or disclosure is subject to restrictions set forth in Contract No. GS-35F-05925.



For FSC Mix logo only