

POSX

POINT OF SALE SIMPLIFIED



ION TP5

All-In-One Terminal

User's Manual

v1.2

The information contained in this document is subject to change without notice. We make no warranty of any kind with regard to this material, including, but not limited to, the implied warranties of merchantability and fitness for a particular purpose. We shall not be liable for errors contained herein or for incidental or consequential damages in connection with the furnishing, performance, or use of this material.

This document contains proprietary information that is protected by copyright. All rights are reserved. No part of this document may be photocopied, reproduced or translated to another language without the prior written consent of the manufacturer.

TRADEMARK

Intel®, Pentium® and MMX are registered trademarks of Intel® Corporation. Microsoft® and Windows® are registered trademarks of Microsoft Corporation. Other trademarks mentioned herein are the property of their respective owners.

Safety

IMPORTANT SAFETY INSTRUCTIONS

1. To disconnect the machine from the electrical power supply, shut the terminal down and remove the power cord plug from the wall socket. The wall socket must be easily accessible and in close proximity to the machine.
2. Read these instructions carefully. Save these instructions for future reference.
3. Follow all warnings and instructions marked on the product.
4. Do not use this product near water.
5. Do not place this product on an unstable cart, stand, or table. The product may fall, causing injury or serious damage to the product.
6. Slots and openings in the cabinet and the back or bottom are provided for ventilation to ensure reliable operation of the product and to protect it from overheating. These openings must not be blocked or covered. The openings should never be blocked by placing the product on a bed, sofa, rug, or other similar surface. This product should never be placed near or over a radiator or heat register or in a built-in installation unless proper ventilation is provided.
7. This product should be operated from the type of power indicated on the electrical safety label. If you are not sure of the type of power available, consult your dealer or local power company.
8. Do not allow anything to rest on the power cord. Do not place this product where persons will walk on the cord.
9. Never push objects of any kind into this product through cabinet slots as they may touch dangerous voltage points or short out parts that could result in a fire or electric shock. Never spill liquid of any kind on the product.



This device complies with the requirements of the EEC directive 2004/108/EC with regard to “Electromagnetic compatibility” and 2006/95/EC “Low Voltage Directive”.



This device complies with part 15 of the FCC rules. Operation is subject to the following two conditions:

- (1) This device may not cause harmful interference.
- (2) This device must accept any interference received, including interference that may cause undesired operation.

CAUTION ION LITHIUM BATTERIES

There is a danger of explosion if the battery is replaced incorrectly. Replace only with the same or equivalent type recommended by the manufacturer. Discard used batteries according to the manufacturer’s instructions.



Battery Caution

Risk of explosion if battery is replaced by an incorrectly type. Dispose of used battery according to the local disposal instructions.



Safety Caution

Note: To comply with IEC60950-1 Clause 2.5 (limited power sources, L.P.S) related legislation, peripherals shall be 4.7.3.2 “Materials for fire enclosure” compliant.

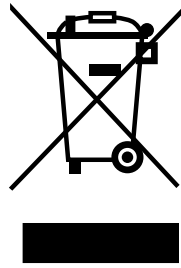
4.7.3.2 Materials for fire enclosures

For MOVABLE EQUIPMENT having a total mass not exceeding 18kg.the material of a FIRE ENCLOSURE, in the thinnest significant wall thickness used, shall be of V-1 CLASS MATERIAL or shall pass the test of Clause A.2.

For MOVABLE EQUIPMENT having a total mass exceeding 18kg and for all STATIONARY EQUIPMENT, the material of a FIRE ENCLOSURE, in the thinnest significant wall thickness used, shall be of 5VB CLASS MATERIAL or shall pass the test of Clause A.1

LEGISLATION AND WEEE SYMBOL

2012/19/EU Waste Electrical and Electronic Equipment Directive on the treatment, collection, recycling and disposal of electric and electronic devices and their components.



The crossed dust bin symbol on the device means that it should not be disposed of with other household wastes at the end of its working life. Instead, the device should be taken to the waste collection centers for activation of the treatment, collection, recycling and disposal procedure.

To prevent possible harm to the environment or human health from uncontrolled waste disposal, please separate this from other types of wastes and recycle it responsibly to promote the sustainable reuse of material resources.

Household users should contact either the retailer where they purchased this product, or their local government office, for details of where and how they can take this item for environmentally safe recycling.

Business users should contact their supplier and check the terms and conditions of the purchase contract.

This product should not be mixed with other commercial wastes for disposal.

USER INFORMATION REQUIREMENTS

Products shall be shipped with informational materials to notify customers of the following:

1. A description of power management settings that have been enabled by default.
2. A description of the timing settings for various power management features and instructions for properly waking the product from Sleep Mode.

Products shall be shipped with one or more of the following:

1. A list of default power management settings.
2. A note stating that default power management settings have been selected for compliance with ENERGY STAR (within 15 min of user inactivity for the display, within 30 min for the computer, if applicable per Table2), and are recommended by the ENERGY STAR program for optimal energy saving.
3. Information about ENERGY STAR and the benefits of power management, to be located at or near the beginning of the hard copy or electronic user manual, or in a package or box insert.

The power management feature allows the computer to initiate a low-power or "Sleep" mode after a period of user inactivity. When used with an external ENERGY STAR qualified monitor, this feature also supports similar power management features of the monitor. To take advantage of these potential energy savings, the power management feature can be set to behave in the following ways when the system is operating on AC power.

- Turn off the display after 15 minutes.
- Initiate Sleep after 30 minutes.

Revision History

Changes to the original user manual are listed below:

Revision	Description	Date
1.0	<ul style="list-style-type: none">Initial release	July 2015
1.1	<ul style="list-style-type: none">Instruction on locking the back cover addedInstruction on installing the LCM module added	April 2016
1.2	<ul style="list-style-type: none">Rear 8" LCD installation instructions and specifications added	September 2016

Table of Contents

1. Packing List.....	1
1-1. Standard Accessories.....	1
1-2. Optional Accessories	2
2. System View	3
2-1. Front View	3
2-2. Side View.....	5
2-3. IO Port View	6
3. Assembly & Disassembly	7
3-1. Unlocking the Back Cover	7
3-2. Removing the Rear Housing	7
3-3. Installing the Power Adapter.....	8
3-4. Dimensions.....	9
4. Peripheral Installation	10
4-1. Installing the MSR	10
4-2. Installing the LCM Module	11
4-3. Loading the Thermal Printer Paper	12
4-4. Installing the Rear LCD Module.....	13
5. Specifications	14

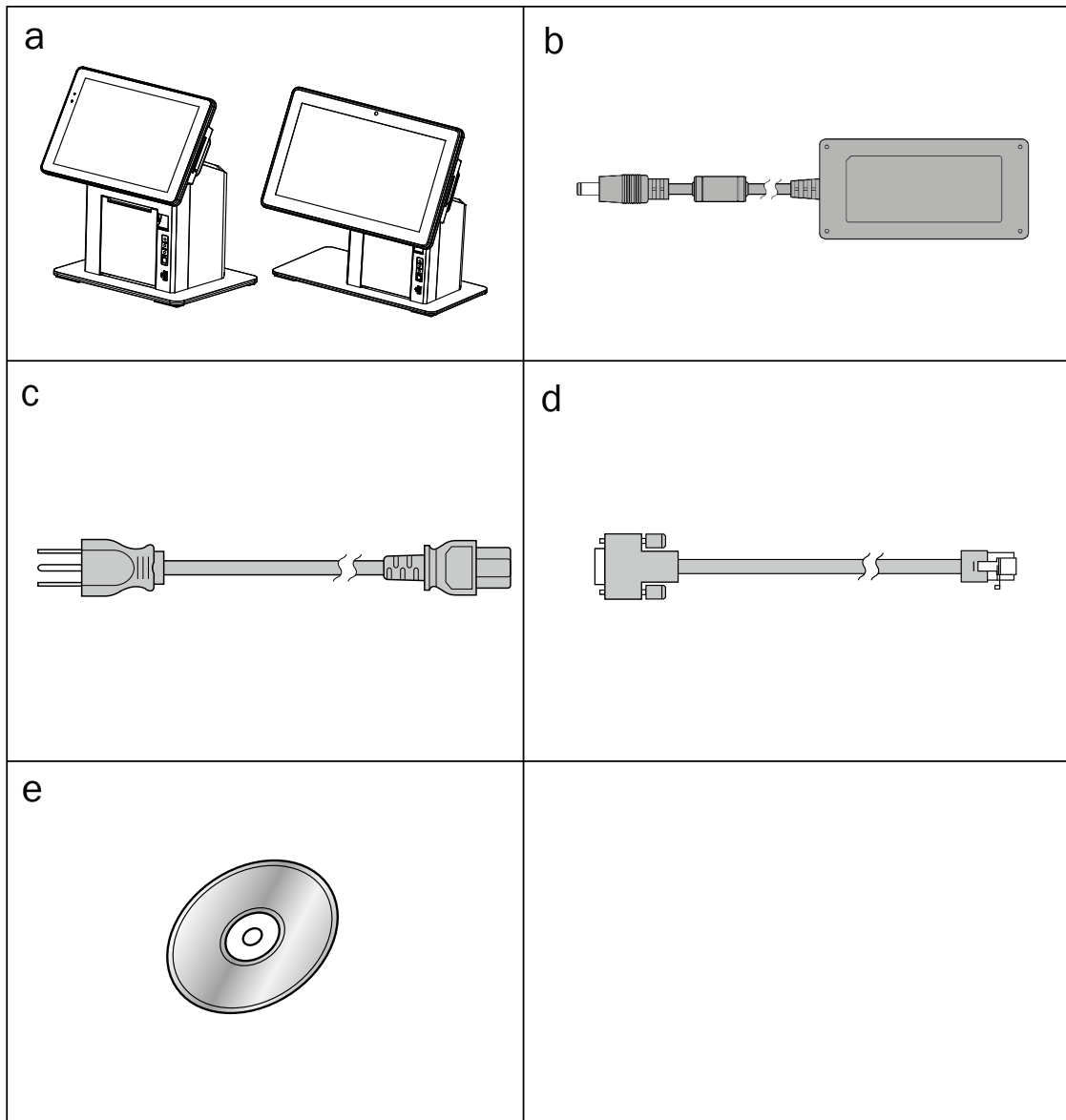
6. Jumper Settings.....	16
6-1. Printer Board Settings	16

Appendix: Driver Installation 17

The page is intentionally left blank.

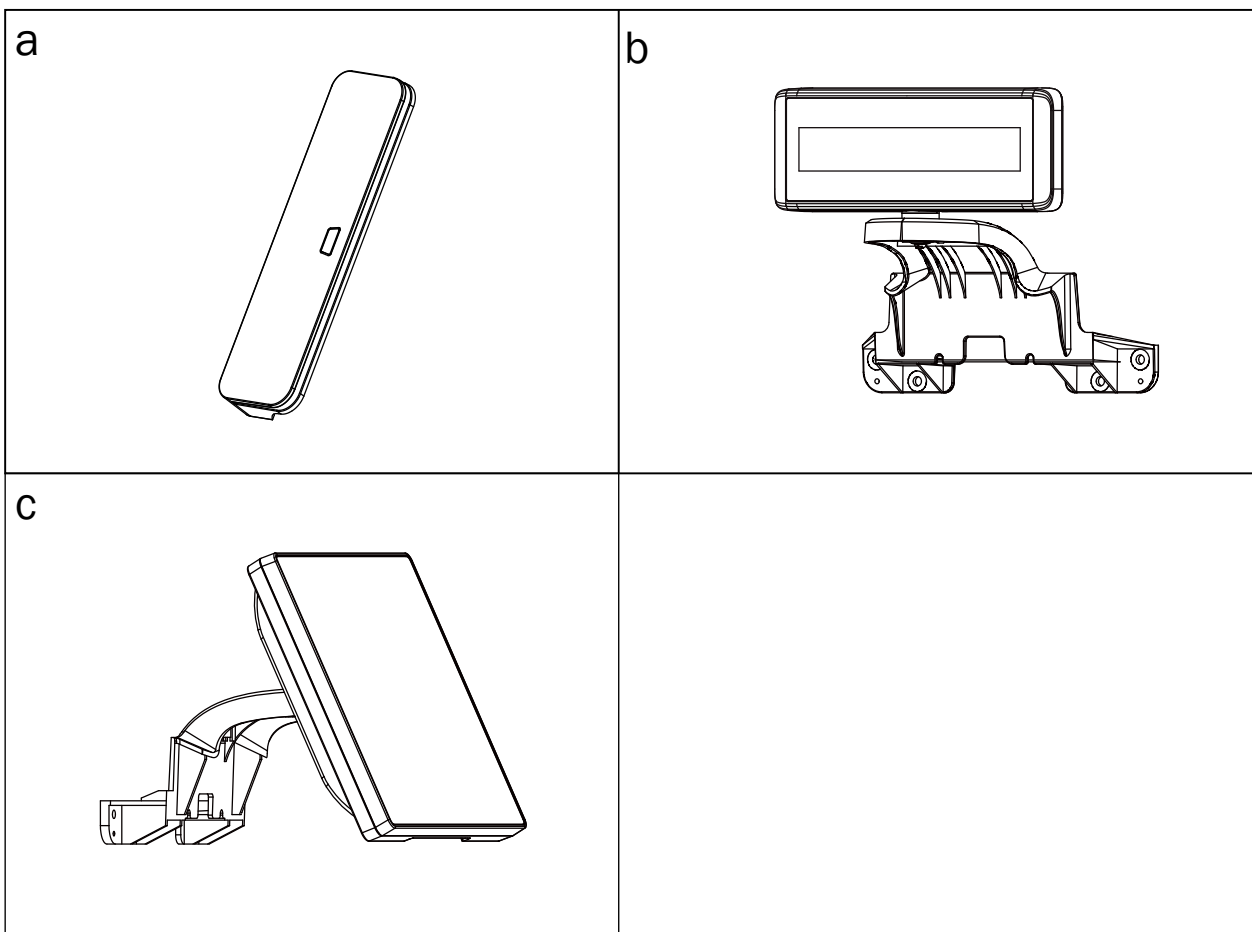
1. Packing List

1-1. Standard Accessories



- a. TP5 System
- b. Power adapter
- c. Power cord
- d. RJ45-DB9 cable (x1)
- e. Driver CD

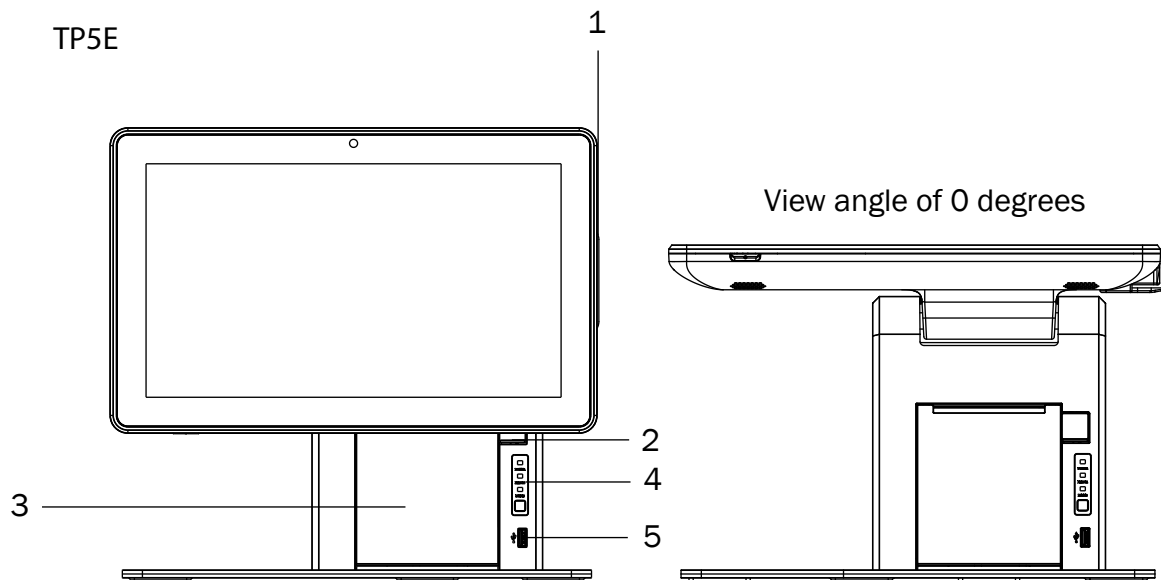
1-2. Optional Accessories



- a. MSR module
- b. LCM module
- c. Rear LCD module

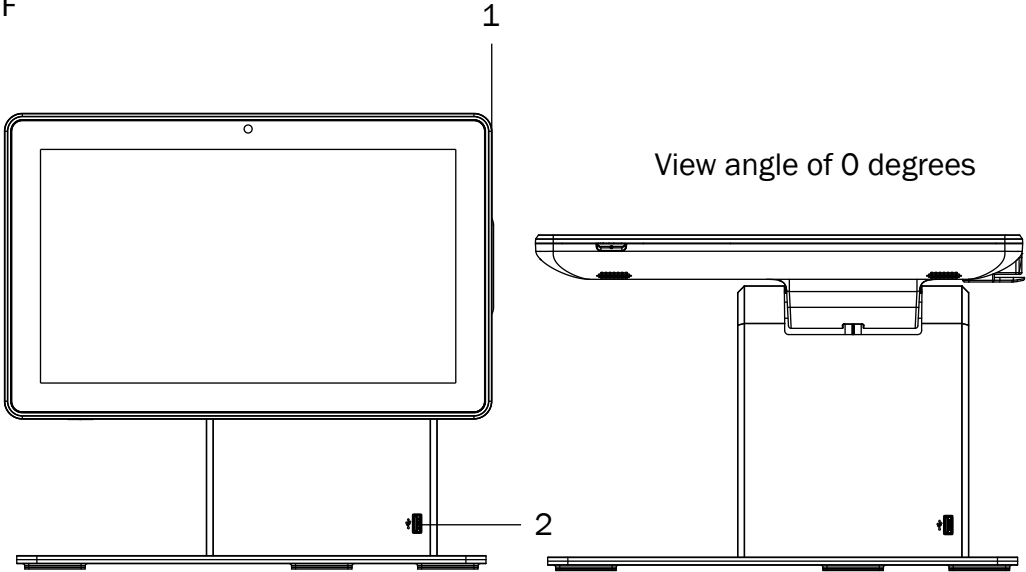
2. System View

2-1. Front View



Item No.	Description
1	MSR module
2	Thermal printer open door button
3	Thermal printer
4	Printer indicator(power, error, and paper) & Paper feed button
5	USB

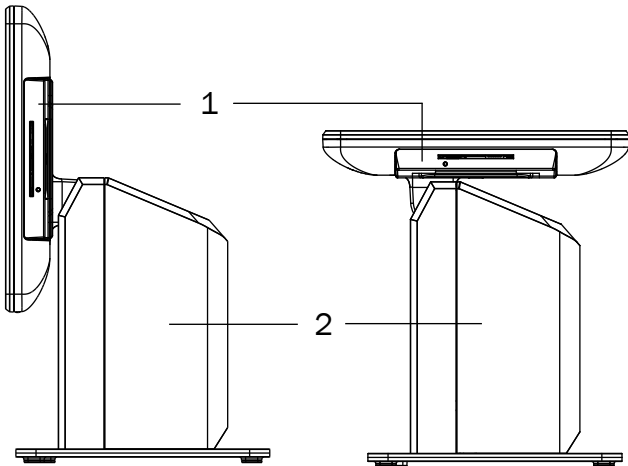
TP5F



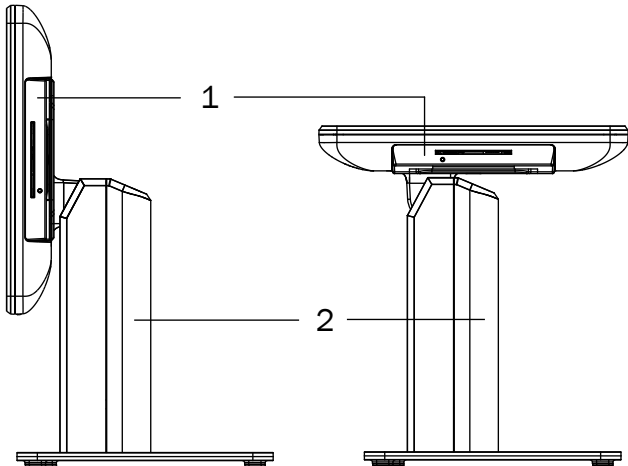
Item No.	Description
1	MSR module
2	USB

2-2. Side View

TP5E



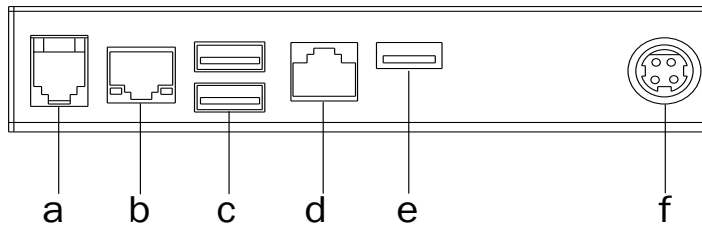
TP5F



Item No.	Description
1	MSR module
2	System cover (IO board and thermal printer inside on TP5E)

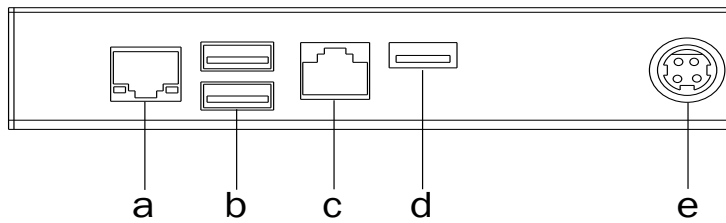
2-3. IO Port View

TP5E



Item No.	Description
a	Cash Drawer
b	LAN
c	USB 2.0 (x2)
d	COM port
e	USB 2.0
f	DC 19V in

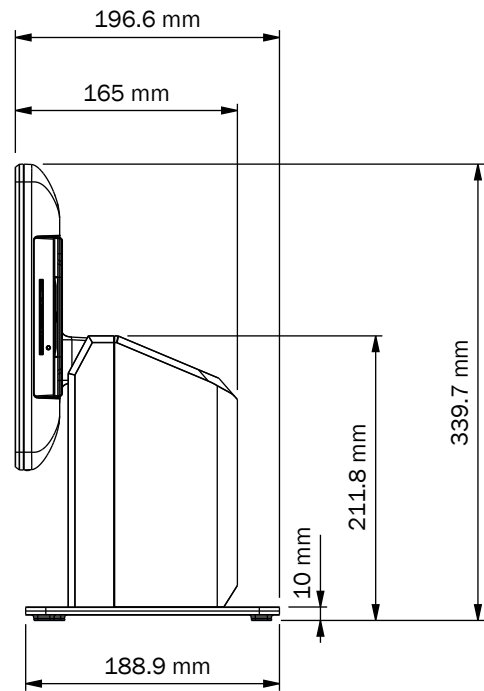
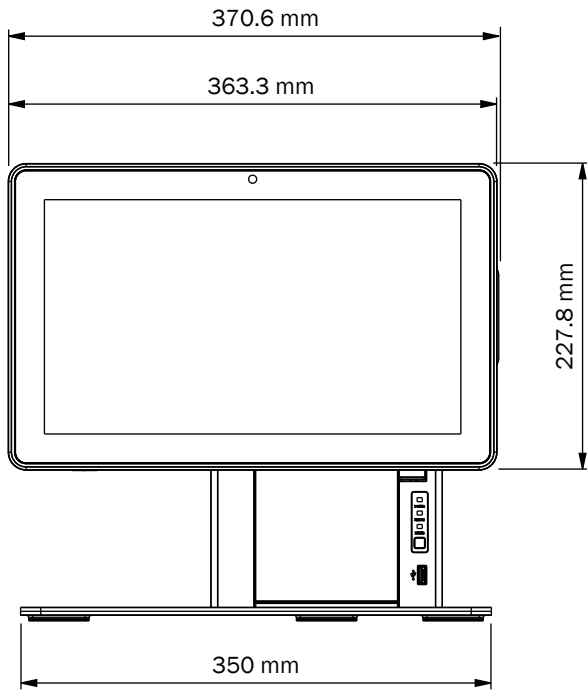
TP5F



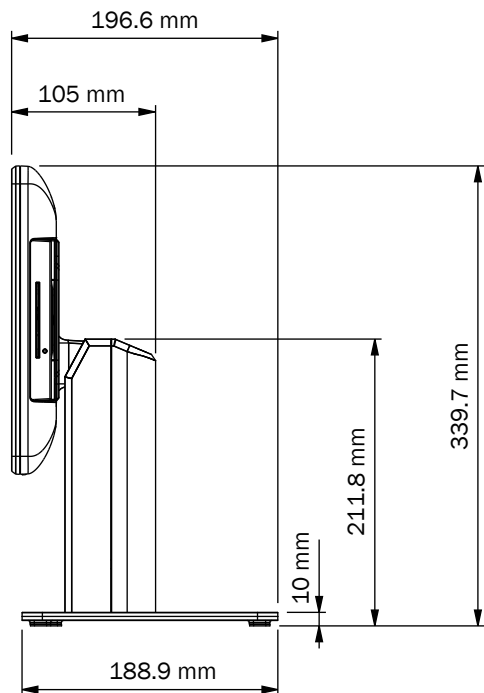
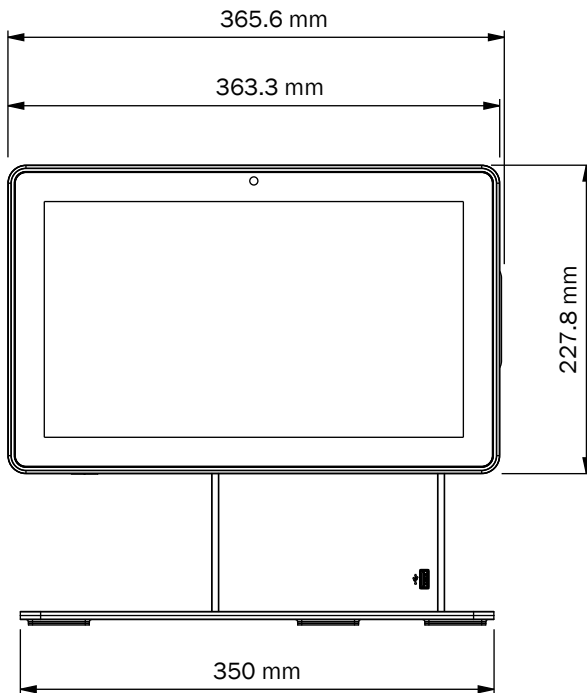
Item No.	Description
a	LAN
b	USB 2.0 (x2)
c	COM port
d	USB 2.0
e	DC 19V in

2-4. Dimensions

TP5E

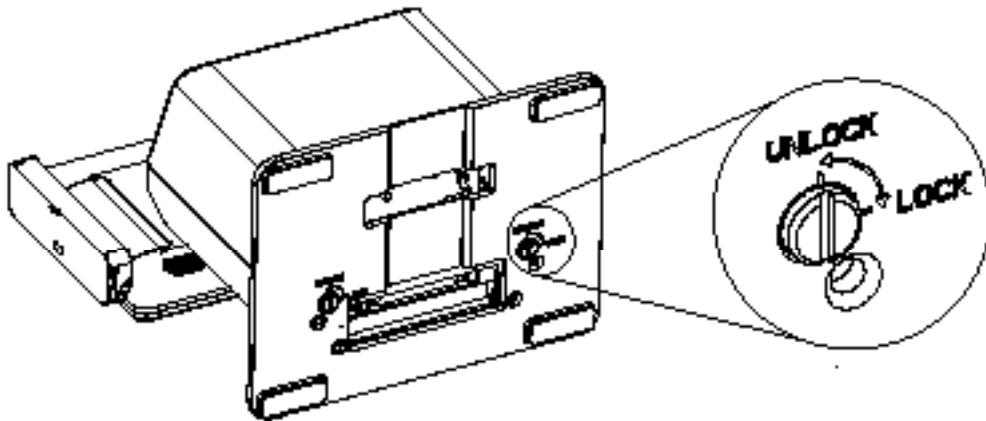


TP5F



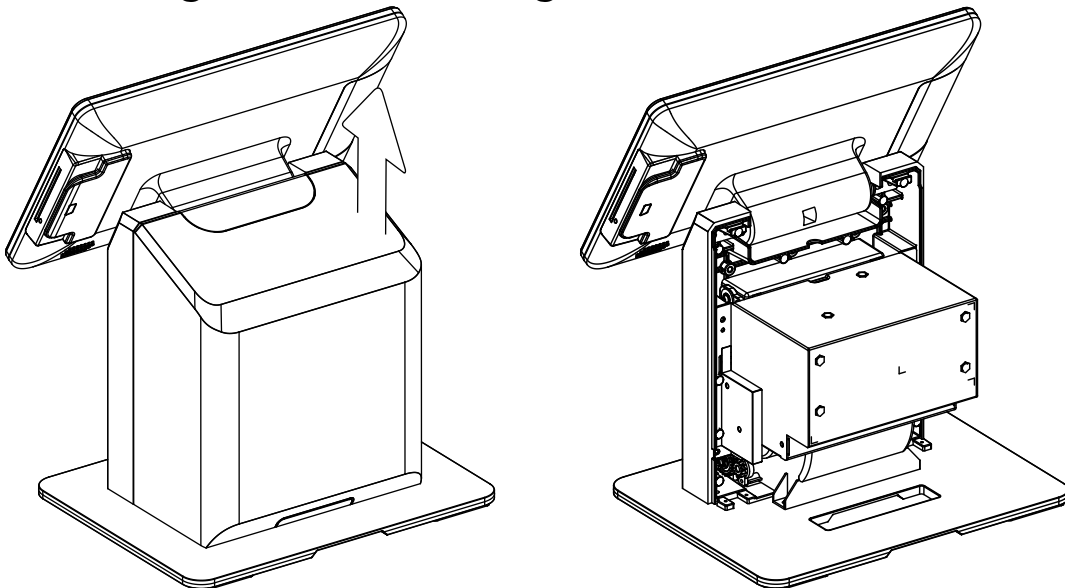
3. Assembly & Disassembly

3-1. Unlocking the Back Cover



1. On some models the back cover of the system is secured by two locking screws which are located at the bottom of the stand.
2. To open the back cover, place the system face down, Insert a flat head screwdriver or a small coin into the groove of the screw and turn to the Unlock position to unlock.
3. To lock the system, turn the screw to the lock position.

3-2. Removing the Rear Housing

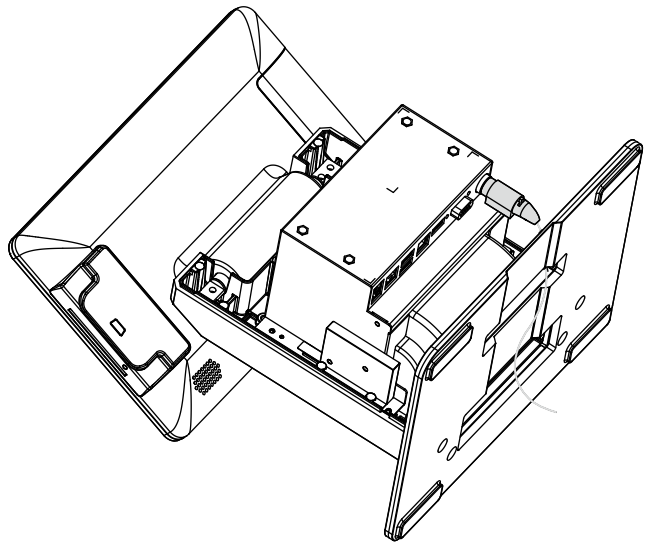


1. Use both hands to pull the system cover upward to release the cover from the system.

3-3. Installing the Power Adapter

The system is equipped with a 90W power adapter. Please connect it to the system as shown below.

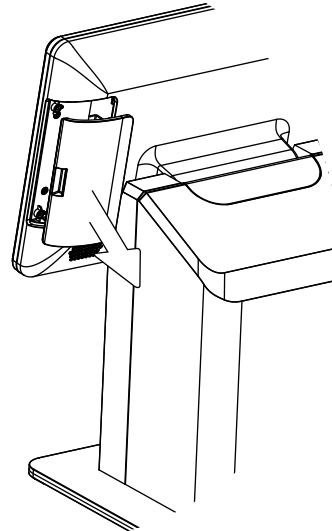
1. Follow the steps described in Chapter 3-1 to remove the rear housing.
2. Place the system face down to access the bottom of the stand.
3. Thread the power adapter cable through the hole of the stand as shown in the picture.
4. Find the power connector on the right of the I/O panel (refer to chapter 2-4) and connect the power adapter directly to the DC-IN connector.



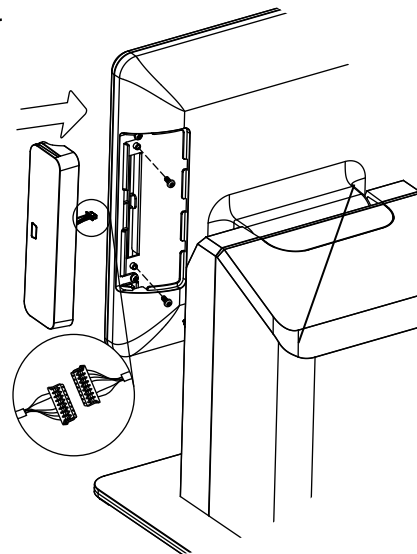
4. Peripheral Installation

4-1. Installing the MSR

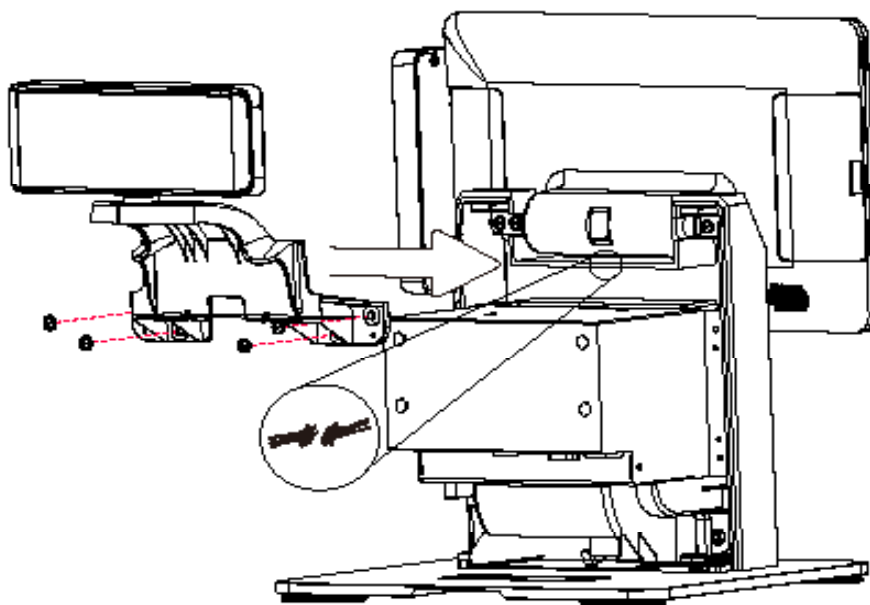
1. Remove the dummy cover.



2. Connect the MSR cable to the connector on the system side.
3. Put the MSR module in place and fasten the screws (x2) on the back to secure the module.



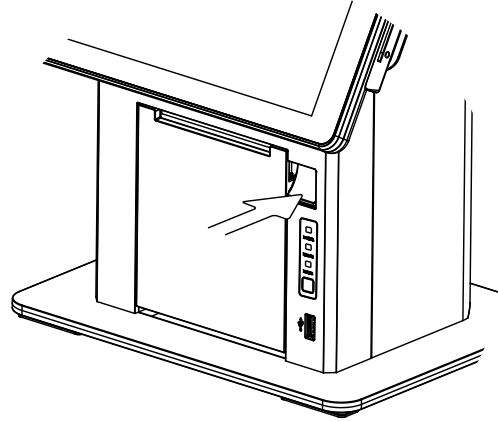
4-2. Installing the LCM Module



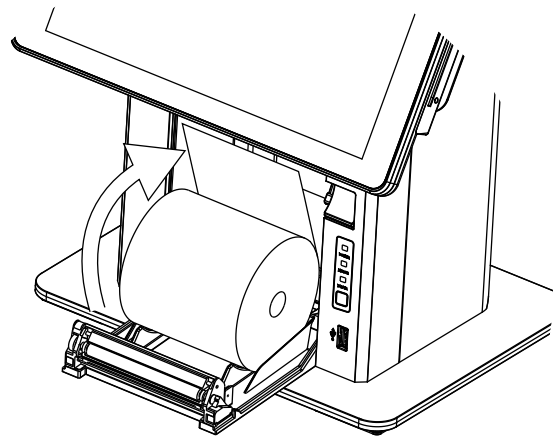
1. Follow the steps described in Chapter 3-1 and 3-2 to open the back cover of the system, then remove the LCM cover from the back housing.
2. Attach the LCM module and fasten the screws (x4).
3. Connect the LCM cable (x1) to the connector on system side.
4. Close the back cover.

4-3. Loading the Thermal Printer Paper

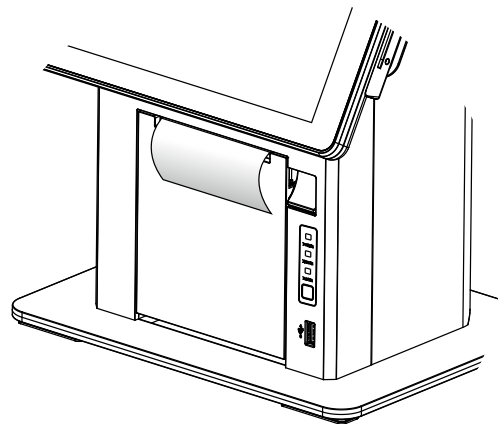
1. Press the button on the right side to open the thermal printer module.



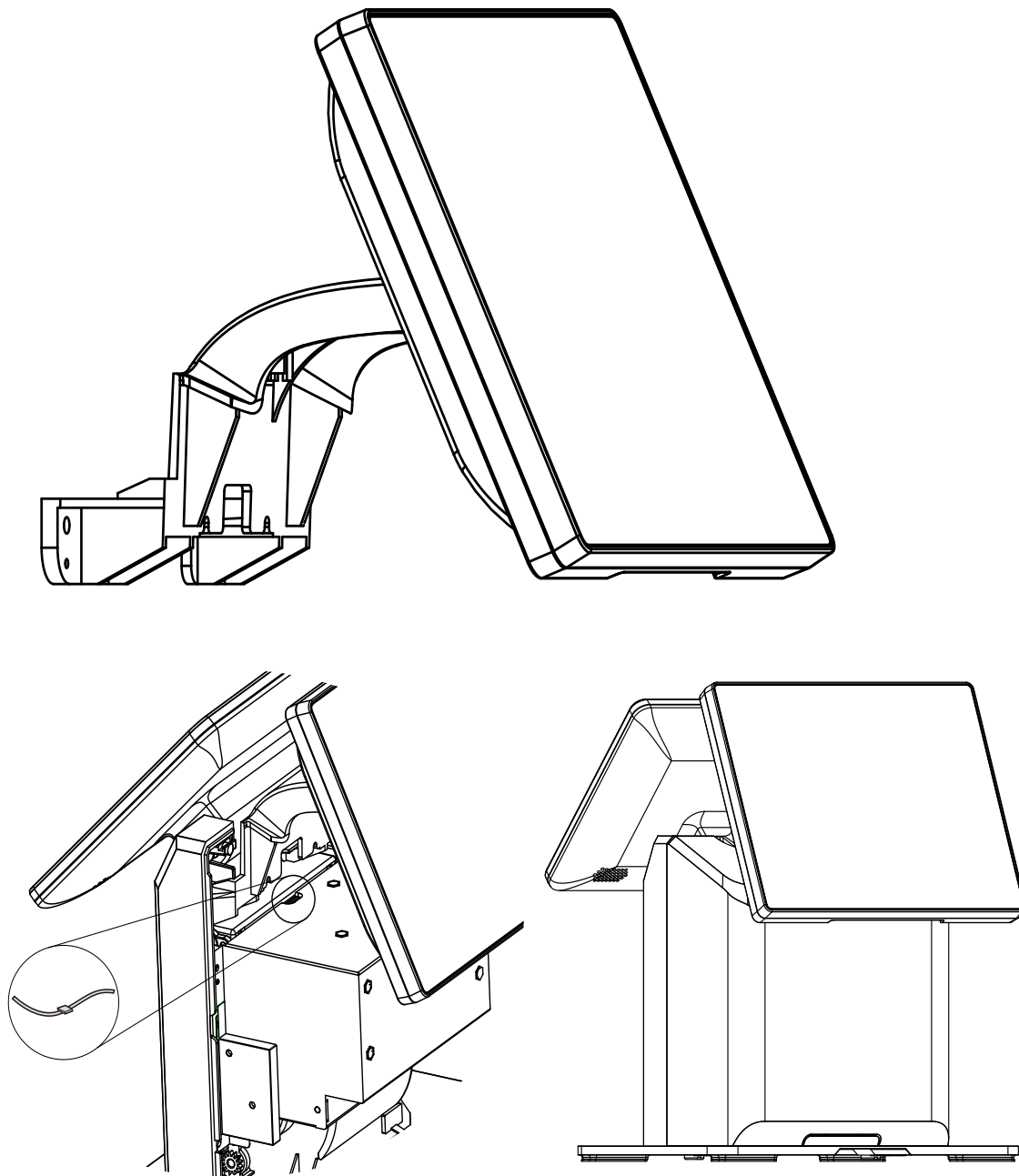
2. Place the paper roll inside the printer slot, pull out a length of paper and then close the cover over the end of the paper.



3. The paper will automatically feed through the printer (the system must be powered on).



4-4. Installing the Rear LCD Module



1. Follow the steps described in Chapter 3-1 and 3-2 to open the back cover of the system, then remove the LCM cover from the back housing.
2. Attach the rear LCD display module and fasten the screws (x4).
3. Connect the rear LCD display cable to the connector on system side.
4. Close the back cover and lock the bolt screw at the bottom of the stand plate.

5. Specifications

POS Terminals

ION TP5

MODEL	ION-TP5F-Z
Processor	Intel Atom Z3735F up to 1.86GHz Quad Core
Bezel	TruFlat Bezel
Chip Set	Processor Integrated
System Memory	2GB DDR3L
Hard Drive	32GB eMMC
LCD Display	14" (356mm) LED LCD
Resolution	1366 x 768
Graphic Memory	Intel Gen7 up to 646MHz
Electrical	90W/19V

PHYSICAL	
Housing	ABS
Weight	12.13lbs (5.5Kkg)
Dimensions (w/base) (WxDxH)	14.3" x 7.8" x 13.4" (363mm x 197mm x 340mm)
Tilt Angle	0° - 90°
Housing Color	Black and Silver
Capacitive Touch	10 Point

PORTS	
USB	4 x USB Type A (USB 2.0)
Serial	1 x RJ45 COM1
LAN	1 x RJ45
Cash Drawer Port	None

ENVIRONMENTAL	
Operating	32°F - 95°F (0°C - 35°C)
Humidity	20% - 80% RH non-condensing
Warranty	3-year warranty with free *2-day Advance Exchange Service
Certifications	FCC Class B, CE, LVD, NOM
Supported OS	Windows 8, Windows 10

OPTIONAL ACCESSORIES	
ION-MR514	3-track Magnetic Stripe Reader with USB interface
ION-RD5-LCM	Integrated 2 x 20 LCM customer display

WARRANTY EXTENSIONS AND UPGRADES	
ZWE-TPC	2-Year Warranty Extension
ZOE-TPC3	3-Year Overnight Exchange*
ZOE-TPC5	5-Year Overnight Exchange*

*Available in USA and Canada

NOTE: These models will require some software modification for full printer capability

MODEL	
Processor	Intel Atom Z3735F up to 1.86GHz Quad Core
Bezel	TruFlat Bezel
Chip Set	Processor Integrated
System Memory	2GB DDR3L
Hard Drive	32GB eMMC
LCD Display	14" (356mm) LED LCD
Resolution	1366 x 768
Graphic Memory	Intel Gen7 up to 646MHz
Electrical	90W/19V

PORTS	
USB	4 x USB Type A (USB 2.0)
Serial	1 x RJ45 COM1
LAN	1 x RJ45
Cash Drawer Port	1 x RJ11

PHYSICAL	
Housing	ABS
Weight	12.13lbs (5.5Kkg)
Dimensions (w/base) (WxDxH)	14.3" x 7.8" x 13.4" (363mm x 197mm x 340mm)
Tilt Angle	0° - 90°
Housing Color	Black and Silver
Capacitive Touch	10 Point

ENVIRONMENTAL	
Operating Temperature	32°F - 95°F (0°C - 35°C)
Humidity	20% - 80% RH non-condensing
Warranty	3-year warranty with free *2-day Advance Exchange Service
Certifications	FCC Class B, CE, LVD, NOM
Supported OS	Windows 8.1, Windows 10

PRINTER SPECIFICATION	
Interface Details	Integrated USB
Emulation	Limited ESC/POS Command Compatible
Print Method	Direct Thermal
Printing Speed	6.3"/sec (160 mm/sec)
Print Resolution	180 DPI x 180 DPI
Printing Direction	Unidirectional with Friction Feed
Sensors	Paper End
Reliability	TPH Life 62.14 miles (100KM)

PAPER	
Type	Thermal Paper
Width	3.13" (79.5mm)
Thickness	0.002" (0.06mm) - 0.0035" (0.09mm)
Roll Diameter	Max 3.15" (80mm)
Roll Core Inner Diameter	Minimum 0.314" (8mm)
Character Set	Extended Graphics, Code Page 1252
Character/Line	(12 x 24) 48 columns
Barcodes Supported	EAN-8, EAN-13, CODE 39, ITF, UPC-A, UPC-E, CODABAR, CODE 93, CODE 128

AUTOCUTTER	
Type	JamFree auto-retracting guillotine
Life	1,000,000 Cuts
Cutting Method	Full/Partial Cut

OPTIONAL ACCESSORIES	
ION-MR514	3-track Magnetic Stripe Reader with USB interface
ION-RD5-LCM	Integrated 2 x 20 LCM customer display

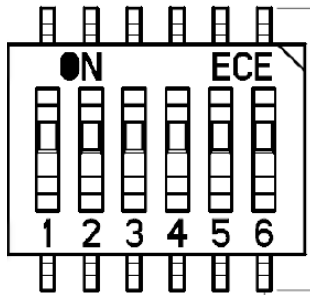
WARRANTY EXTENSIONS	
ZWE-TPC	2-Year Warranty Extension
ZOE-TPC3	3-Year Overnight Exchange*
ZOE-TPC5	5-Year Overnight Exchange*

*Available in USA and Canada

6. Jumper Settings

6-1. Printer Board Settings

Printer Board



ON=Down
OFF=Up

Hardware Reset	
Function	JP2
Normal	* N/C
Reset	1-2

Interface Select		
SW1	ON	OFF
1	USB	COM

Appendix: Driver Installation

The shipping package includes a Driver CD, where all drivers and utilities can be found. Please insert the Driver CD into a computer with a CD drive and open the “index.htm” file and select the terminal model. For more information please visit www.pos-x.com