



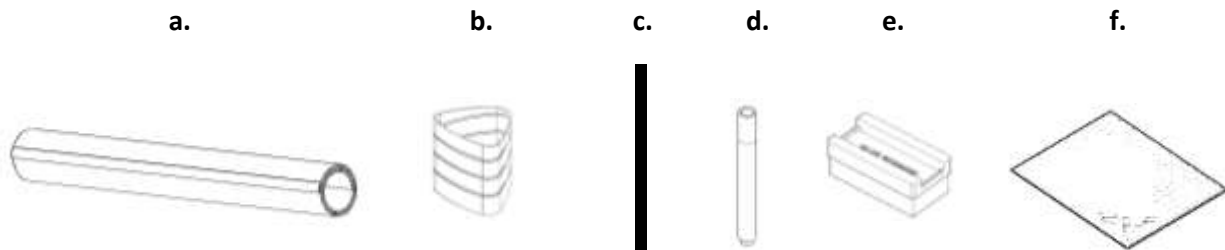
Insta-DEM Series

Magnetic Dry-Erase Front Projection Screen

User's Guide

What's in the package

Please make sure all parts listed below are included. If anything is missing please contact us immediately.



Parts List	QTY
a. Insta-DEM Screen Material	1
b. Pen Holder	1
c. Magnetic bar	2
d. Whiteboard markers	3
e. Elite special high density eraser	2
f. Microfiber cleaning cloth	1

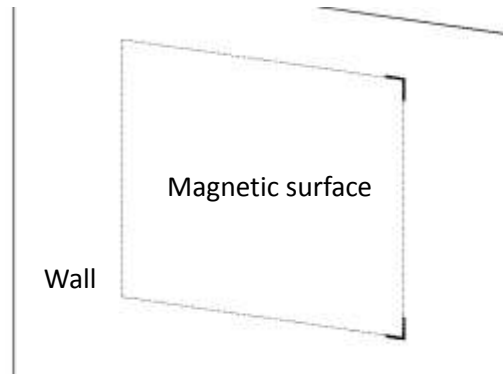
Notes:

1. For best results and maximum product longevity, **ONLY use Elite Screens high density whiteboard Eraser**
2. Please use the microfiber cloth and clean water to cleanse the surface every 2-4 weeks to maintain a fresh and clean projection surface.

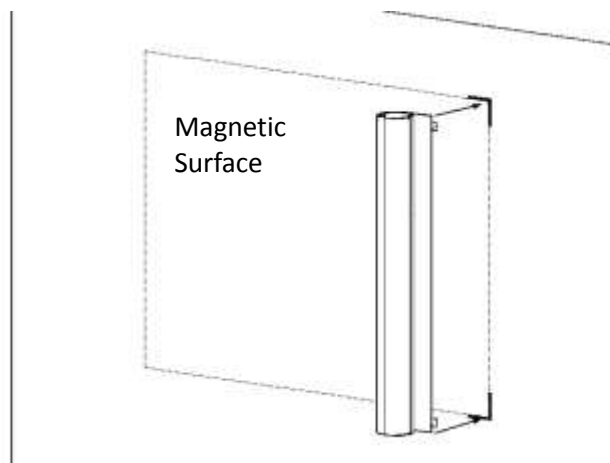
Installation

Attention: Prolonged storage of the Insta-DEM in its factory packaging *may result* in the material not being able to lie flat once removed from its tube. An easy way to remedy this is to remove the material from the tube and roll it up in a reverse manner for 5 minutes. This will flatten out the material and make it more pliable to work with.

1. Clean the magnetic surface location where the **Insta-DEM Screen** will be installed.
2. Measure and mark the top-right and bottom-right corner of the installation location.



3. Attach the Insta-DEM Screen to the top-right and bottom-right corner of the magnetic surface location as shown below.

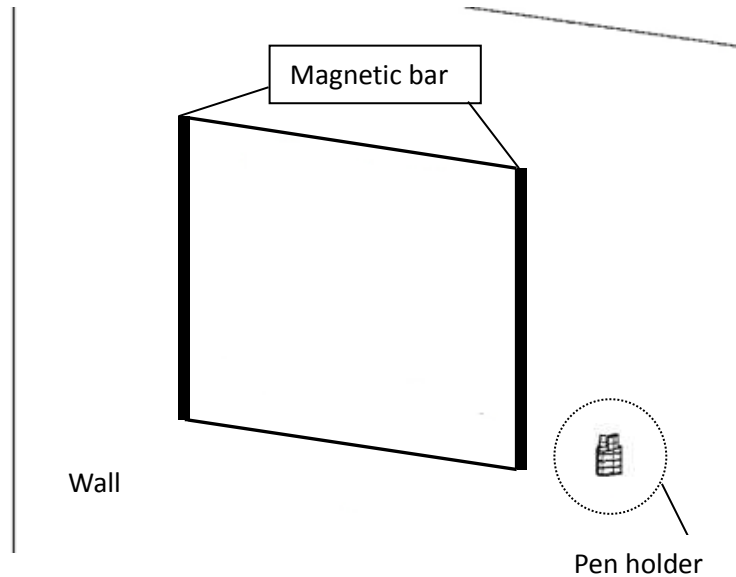


4. Carefully unroll the material and firmly attach the top and bottom until the Insta-DEM Screen is completely attached to the magnetic surface.

- Secure the edges by placing the magnetic bar on the left and right side of the Insta-DEM Screen. This allows the material to lay flat on the magnetic surface.

Note:

The magnetic bars can be removed once the Insta-DEM screen material is securely attached to the magnetic surface.



- Peel the tape strip off the back of the pen holder and attach the pen holder to the wall or your preferred location.

Use only the included erasers to remove and erase dry-erase markings. For a deep clean, we recommend using a non-alcohol based dry-erase board cleaner with a soft microfiber cloth.

Elite offers a replacement kit (**part number ZER3**) which includes:

- 1 x bottle of 8.45 oz cleaning solution
- 1 x microfiber cloth
- 2 x high density foam erasers
- 2 x sets of dry-erase markers (4 total)



Contact your reseller or visit shop.elitescreens.com for pricing and purchase.

For more information, technical support or your local Elite Screens contact, please visit www.elitescreens.com