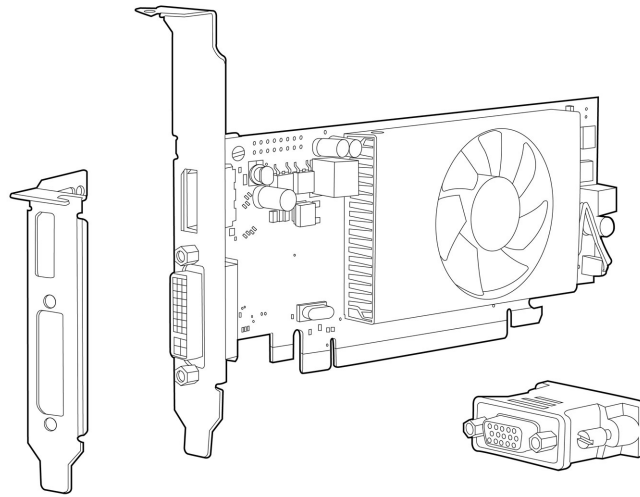


Overview



Models

AMD Radeon HD 8490 DP (1GB) PCIe x16 Graphics Card

E1C64AA

Introduction

Get impressive graphics and high resolution dual-display performance in a low profile, PCI Express x16 graphics add-in card based on the AMD Radeon HD 8490 Graphics Processor. Improve your everyday PC, Web conferencing, and video or photo editing.

Performance and Features

- Enjoy current high-resolution monitor support from dual-link DVI and be future-ready with the multimode DisplayPort connector, which enables connection to DVI-D, VGA, and HDMI monitors.¹
- The DisplayPort output also supports audio with video. HDCP support on DisplayPort and DVI provides enhanced security for your content.
- Get peak bandwidth support from the full 16-lane PCIe 3.0 bus. Eliminate the need to share PC system memory with 1 GB DDR3 dedicated on-board graphics frame buffer memory.
- Experience OpenGL 4.0 and DirectX 11 application support with compatibility integrated into the hardware.
- Unleash the best graphics performance possible from your GPU with AMD Catalyst, which allows you to customize a stable, reliable experience and quickly and easily adjust your GPU for optimal video performance.

¹DVI-I to VGA adapter is included. Optional DisplayPort adapters for DVI-D, HDMI and VGA in kits, FH973AT, BP937AA, and AS615AA sold separately.

Overview

Compatibility

The AMD Radeon HD 8490 is supported on the following platforms: HP ProDesk 600 TWR, SFF; HP EliteDesk 800 G1 TWR; HP Compaq 6305 Pro MT, SFF.

Service and Support

The AMD Radeon HD 8490 has a one-year limited warranty or the remainder of the warranty of the HP product in which it is installed. Technical support is available seven days a week, 24 hours a day by phone, as well as online support forums. Parts and labor are available on-site within the next business day. Telephone support is available for parts diagnosis and installation. Certain restrictions and exclusions apply.

Technical Specifications

Form Factor (H x L)	Low Profile: 2.713 × 6.15 in With full height bracket attached; Includes low profile bracket for installation into Small Form Factor chassis
Graphics Controller	AMD Radeon HD 8490
Bus Type	PCI Express x16, 2.0 compliant
Memory	Size: 1GB , DDR3 SDRAM, 64bit wide bus Clock: 900 Mhz Memory Bandwidth: 14.4 GB/s
Connectors	Dual link DVI-I and Display Port connectors* *All digital outputs support HDCP.
Display Port Features	DisplayPort multi-mode support High Bit Rate 2 (HBR2) support Audio over DisplayPort support Multi Streaming Technology (MST) for support of a maximum of 4 displays connected to the card
Maximum Resolution	2048 x 1536 VGA; 2560x1600 DVI-D & DisplayPort

Display resolutions and refresh rates

NOTE: Other resolutions may be available but are not recommended as they may not have been tested and qualified by HP.

Resolution	Maximum Refresh Rate (Hz)	
	Analog Connection	Digital Connection
640x480	85	60
720x480	85	60
720x576	85	60
800x600	85	60
1024x768	85	60
1280x720	85	60
1280x768	85	60
1280x1024	85	60
1440x900	75	75
1600x1024	85	60
1600x1200	85	60
1680x1050	75	75-R
1920x1080	85	60-R
1920x1200	85	60-R
1920x1440	85	N/A
2048x1536	75	N/A
2560x1440	N/A	60
2560x1600	N/A	60

Image Quality Features AMD HD Media Accelerator:

- H.264

Technical Specifications

- VC-1
- MPEG-2
- Adobe Flash

Enhanced Video Quality features:

- Dual-stream (HD+SD) playback support
- UVD 2 dedicated video playback accelerator
- Advanced post-processing and scaling
- Dynamic contrast enhancement and color correction
- Brighter whites processing (blue stretch)
- Independent video gamma control
- Dynamic video range control

Shading Architecture	Shader Model 5.0
Supported Graphics APIs	DX11, OpenGL 4.0
Agency Approvals	BSMI, CE Mark, C-tick, FCC, ICES/C.I.S.P.R, KCC, UL, VCCI
Available Graphics Drivers	Windows 8, Windows 8 Pro, Windows 7 Professional (64-bit and 32-bit) Red Hat Enterprise Linux (RHEL) SUSE Linux Enterprise Desktop 11 (64-bit and 32-bit)

HP qualified drivers may be preloaded or the latest HP qualified drivers are available from the HP support Web site: <http://welcome.hp.com/country/us/en/support.html>

Linux drivers are available from the AMD website and may be available in a Linux distribution. Refer to the Open Source and Linux from HP website: <http://www.hp.com/wwsolutions/linux/products/clients/> for support information.

Power Consumption	30 Watts (Maximum) NOTE: The thermal solution used on this card is a temperature controlled active fan heatsink to minimize acoustic noise
Kit Contents	AMD Radeon HD 8490 DP (1GB) PCIe x16 Graphics Card with attached full height bracket Low profile bracket Software Driver CD Documentation

© Copyright 2013 Hewlett-Packard Development Company, L.P.

The only warranties for HP products and services are set forth in the express warranty statements accompanying such products and services. Nothing herein should be construed as constituting an additional warranty. HP shall not be liable for technical or editorial errors or omissions contained herein. The information contained herein is subject to change without notice.

Microsoft, Windows, Windows 7, and Windows Vista are registered trademarks or trademarks of Microsoft Corporation in the U.S. and/or other countries. AMD, ATI, and Radeon are registered trademarks of Advanced Micro Devices, Inc.