

Product Highlights

5 Megapixel 2560 x 1920 Resolution

A 5 megapixel sensor provides stunning high resolution images helping to ensure that you capture the details you need

Rugged Construction

IP66 weatherproof housing and weathershield makes the DCS-6517 ideal for the most demanding of surveillance environments

Versatile Installation

Power over Ethernet support and a range of mounting options allows installation in a wide variety of indoor and outdoor locations and situations



DCS-6517

5 Megapixel Varifocal Outdoor Dome Network Camera

Features

Exceptional Video Quality

- 1/3.2" 5 Megapixel CMOS sensor
- Full HD resolution of 1920 x 1080, max. 2560 x 1920
- Wide Dynamic Range image enhancement
- H.264, MJPEG codec support for streaming and recording
- Motion detection
- Privacy mask

Outdoor Placement

- Built-in IR LED illuminator with a 20 metre range for use in dark areas
- Range of mounting options for flexible placement
- Rugged IP66 weatherproof housing
- IK10 vandal-proof
- Sunshield to protect unit when mounted outdoors

Flexibility

- microSD Card slot for onboard storage¹
- 10/100 Fast Ethernet port with PoE ensures easy integration into your network
- DI/DO socket for connection to external devices
- Audio in and out jacks can be connected to a microphone and speaker for 2-way communication

The D-Link DCS-6517 5 Megapixel Varifocal Outdoor Dome Network Camera is a high definition professional surveillance and security solution suitable for businesses and enterprises. The camera uses a 5 megapixel progressive scan CMOS sensor to deliver truly superior quality video in all conditions. The all-in-one rugged design makes this camera extremely reliable and ideal for deployment in surveillance applications without the need for additional accessories.

Built for the Outdoors

Specially built for outdoor use, the DCS-6517 has an IP66 weatherproof housing that protects it from dirt and rain. The durable housing of the DCS-6517 has also been designed to meet IK10 vandal proof specifications, meaning that it can be deployed into areas that are prone to vandalism. Combined with its power over Ethernet (PoE) capability, the DCS-6517 truly is a versatile solution that can be used in a wide range of applications.

Continuous Monitoring

In low-light situations, the IR cut filter automatically slides out of the way to use all available light. The DCS-6517 also has built-in IR LED illuminators with a 20 metre range, allowing the camera to keep watch even in complete darkness. These features work together to give you a reliable surveillance camera capable of monitoring an area 24 hours a day.

To maximise bandwidth efficiency and improve image quality, the DCS-6517 provides real-time video compression using the H.264, and MJPEG codecs, and supports three separate profiles for simultaneous video streaming and recording. This versatility enables a wide variety of security applications, such as monitoring public areas to detect incidents and to coordinate responses, enforcing access control to restricted areas, deterring criminal activity, or monitoring inventory.

5 Megapixel Varifocal Outdoor Dome Network Camera

Flexible Connectivity

The DCS-6517 has a built-in 802.3af compliant PoE module that simplifies installation by providing power and networking connectivity with a single cable, reducing the need to drill holes or lay additional cabling. In addition, the included digital input and output connector enables connections to external devices such as IR sensors, switches and alarm relays.

Robust Management Software

The DCS-6517 5 Megapixel Varifocal Outdoor Dome Network Camera includes D-ViewCam™, a complete surveillance software package that enables you to view, manage, and record from up to 32 cameras on a single computer in a central location. Recordings and e-mail alerts can be triggered through motion detection or events triggered by digital input devices, keeping administrators informed of any unusual activity.



If the worst should happen to your network you need the very best support and fast. Downtime costs your business money. D-Link Assist maximises your uptime by solving technical problems quickly and effectively. Our highly trained technicians are on standby around the clock, ensuring that award-winning support is only a phone call away.

With a choice of three affordable service offerings covering all D-Link business products, you can select the package that suits you best:

D-Link Assist Gold - for comprehensive 24-hour support

D-Link Assist Gold is perfect for mission-critical environments where maximum uptime is a high priority. It guarantees four hour around-the-clock response. Cover applies 24/7 for every day of the year including holidays.

D-Link Assist Silver - for prompt same-day assistance

D-Link Assist Silver is designed for 'high availability' businesses that require rapid response within regular working hours. It provides a four hour response service Monday to Friday from 8am to 5pm, excluding holidays.

D-Link Assist Bronze - for guaranteed response on the next business day

D-Link Assist Bronze is a highly cost-effective support solution for less critical environments. Response is guaranteed within eight business hours Monday to Friday from 8am to 5pm, excluding holidays.

D-Link Assist can be purchased together with any D-Link business product. So whether you're buying Switching, Wireless, Storage, Security or IP Surveillance equipment from D-Link, your peace of mind is guaranteed. D-Link Assist also offers installation and configuration services to get your new hardware working quickly and correctly.

5 Megapixel Varifocal Outdoor Dome Network Camera

Technical Specifications

Camera

Camera Hardware Profile	<ul style="list-style-type: none"> • 1/3.2" 5 Megapixel CMOS sensor • 20 metre IR illumination distance • Built-in Infrared-Cut Removable (ICR) Filter module • Minimum illumination: <ul style="list-style-type: none"> • 0.5 Lux Color mode • 0.1 Lux Black and White mode • 0 Lux Black and White mode with IR LED on • Minimum object distance 0.3 m 	<ul style="list-style-type: none"> • 3 ~ 10.5 mm DC iris vari-focal lens • Aperture F1.4 • Angle of view <ul style="list-style-type: none"> • (H) 25.48° to 85.03° • (V) 19.09° to 65.47° • Shutter Speed: 1/2.5 ~ 1/10,000 • 4x Digital zoom
Camera Housing	<ul style="list-style-type: none"> • IP66 compliant weatherproof housing • IK-10 compliant vandal-proof housing 	<ul style="list-style-type: none"> • Included sunshield
Image Features	<ul style="list-style-type: none"> • Configurable image size, quality, frame rate, and bit rate • Time stamp and text overlays • 3 Configurable motion detection windows • Tamper detection 	<ul style="list-style-type: none"> • Configurable privacy mask zones • Configurable exposure, brightness, saturation, contrast, sharpness, white balance, WDR, flip and mirror
Video Compression	<ul style="list-style-type: none"> • Simultaneous H.264/MJPEG format compression • H.264 multicast streaming 	<ul style="list-style-type: none"> • JPEG for still images
Video Resolution	<ul style="list-style-type: none"> • 16:9 1920x1080, 1280x720, 960 x 540, 640 x 360 at up to 30 fps 	<ul style="list-style-type: none"> • 4:3 - 2560x1920, 2048x1536, 1600x1200, 1280x960, 800 x 600, 640 x 480, 320 x 240 at up to 15 fps
Audio Support	<ul style="list-style-type: none"> • AAC 	<ul style="list-style-type: none"> • G.711
External Device Interfaces	<ul style="list-style-type: none"> • 10/100 BASE-TX Ethernet port with PoE • 1 DI / 1 DO • Reset button 	<ul style="list-style-type: none"> • Video Out (BNC) • microSD card Slot (SD/SDHC) • Audio input / output

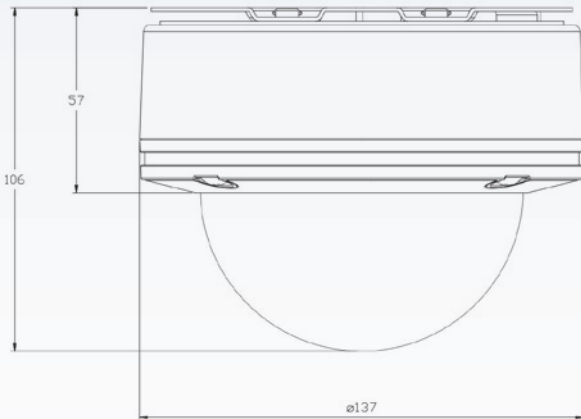

Network

Network Protocols	<ul style="list-style-type: none"> • IPv6 • IPv4 • TCP/IP • UDP • ICMP • DHCP client • NTP client (D-Link) • DNS client • DDNS client (D-Link) • SMTP client • FTP client 	<ul style="list-style-type: none"> • HTTP / HTTPS • Samba client • PPPoE • UPnP port forwarding • RTP / RTSP / RTCP • IP filtering • QoS • CoS • Multicast • ONVIF compliant • SNMP
Security	<ul style="list-style-type: none"> • Administrator and user group protection • Remote client access control 	<ul style="list-style-type: none"> • HTTP and RTSP authentication • HTTPS encryption for web access

System Management

System Requirements for Web Interface	<ul style="list-style-type: none"> • Browser: Internet Explorer 7 or higher, Firefox, Chrome, Safari 	
Event Management	<ul style="list-style-type: none"> • Motion detection • Event notification and uploading of snapshots/video clips via e-mail or FTP 	<ul style="list-style-type: none"> • Supports multiple HTTP, SMTP, and FTP servers • Multiple event notifications • Multiple recording methods for easy backup
Remote Management	<ul style="list-style-type: none"> • Take snapshots/video clips and save to local hard drive 	<ul style="list-style-type: none"> • Configuration interface accessible via web browser
OS Support	<ul style="list-style-type: none"> • Operating System: Windows 7/8/XP/Vista/2000 	
D-ViewCam™ System Requirements	<ul style="list-style-type: none"> • Operating System: Windows 7/8/XP/Vista/2000 • Web Browser: Internet Explorer 7 or higher 	<ul style="list-style-type: none"> • Protocol: Standard TCP/IP
D-ViewCam™ Software Functions	<ul style="list-style-type: none"> • Remote management/control of up to 32 cameras • Supports all management functions provided in web interface 	<ul style="list-style-type: none"> • Viewing of up to 32 cameras on one screen • Scheduled motion triggered, or manual recording options

5 Megapixel Varifocal Outdoor Dome Network Camera

General	
Weight	• 1.25 kg (2.75 lbs)
Power	• Input: 12 V DC 1.5 A, 50/60 Hz, IEEE 802.3af PoE Class 0
Power Consumption	• Max:11.6 W (PoE, heater on)
Temperature	• Operating: -40 to 50 °C (-40 to 122 °F) • Storage: -20 to 70 °C (-4 to 158 °F)
Humidity	• Operating: 20% to 90% non-condensing • Storage: 5% to 95% non-condensing
Certifications	• CE • FCC • CE LVD • C-Tick
Dimensions	
Optional Accessories	
Part Number	Description
DCS-34-3	 <p>Bent Arm Mount 253 x 150 mm (9.96 x 5.9 inches), 770 grams (1.7 lbs)</p>

¹SD/SDHC/SDXC v3.1 compatible



For more information: www.dlink.com

D-Link European Headquarters. D-Link (Europe) Ltd., D-Link House, Abbey Road, Park Royal, London, NW10 7BX.
Specifications are subject to change without notice. D-Link is a registered trademark of D-Link Corporation and its overseas subsidiaries.
All other trademarks belong to their respective owners. ©2015 D-Link Corporation. All rights reserved. E&OE.

Updated October 2015

D-Link[®]
Building Networks for People