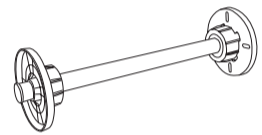
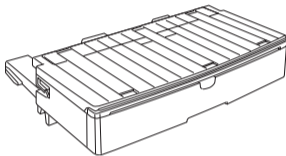
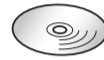
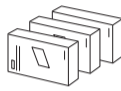
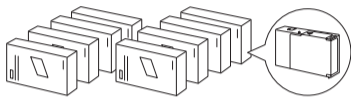
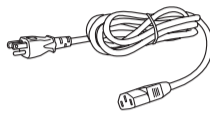
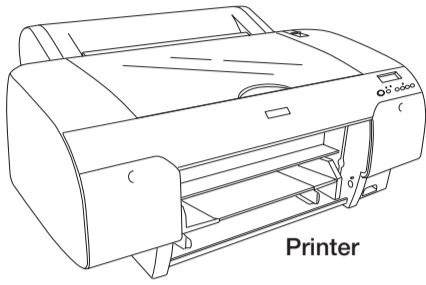


Start Here

Epson Stylus® Pro 4880

Unpack

1 Make sure you have these items:

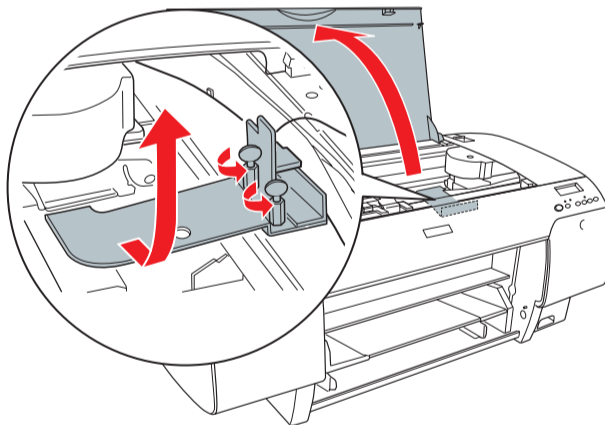


Warning: The printer weighs about 88.6 pounds (40.2 kg) without ink or paper and should be lifted and moved by two people.

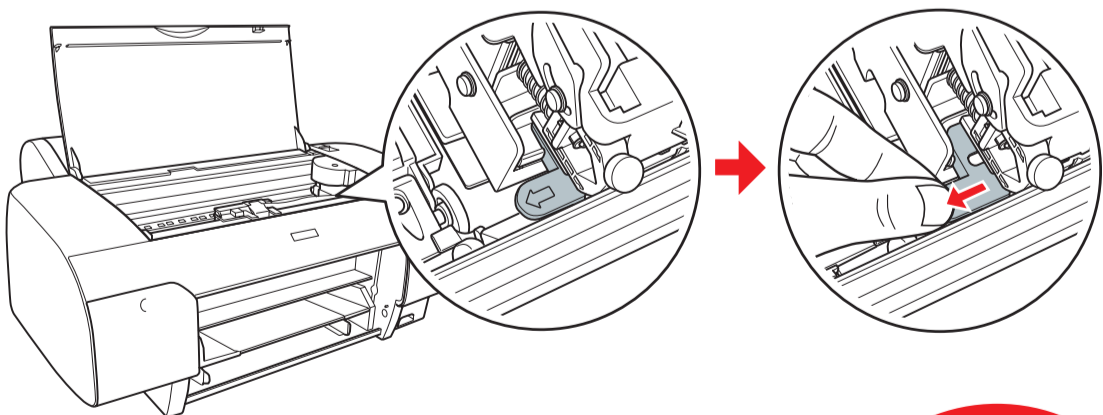
Note: Do not open ink cartridge packages until you are ready to install the ink. Cartridges are vacuum packed to maintain reliability.

2 Remove all the packing materials and tape. Check carefully for all the tape inside and outside the printer. Save the box and packaging in case you need to ship the printer.

3 Remove the two screws and the carriage retainer bracket.



4 Unlock the print head carriage by pulling the green tab to the left. Do not remove the tab.

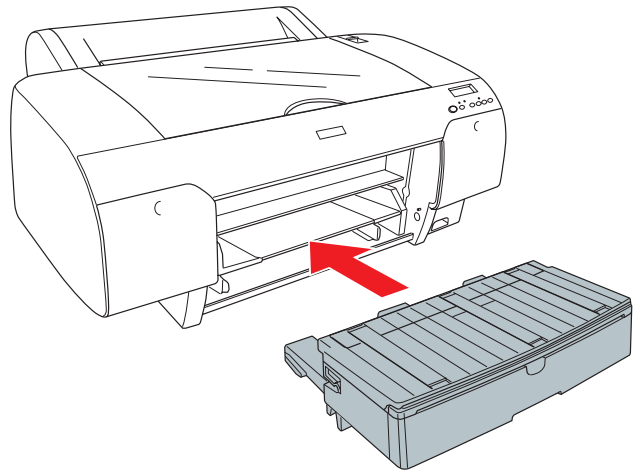
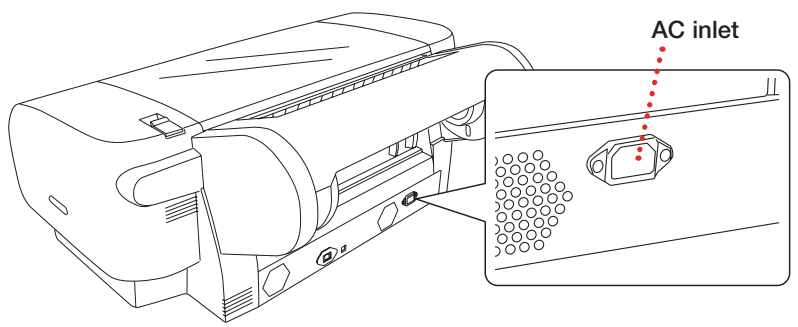


Caution: Do not push the green tab down or you may break it.




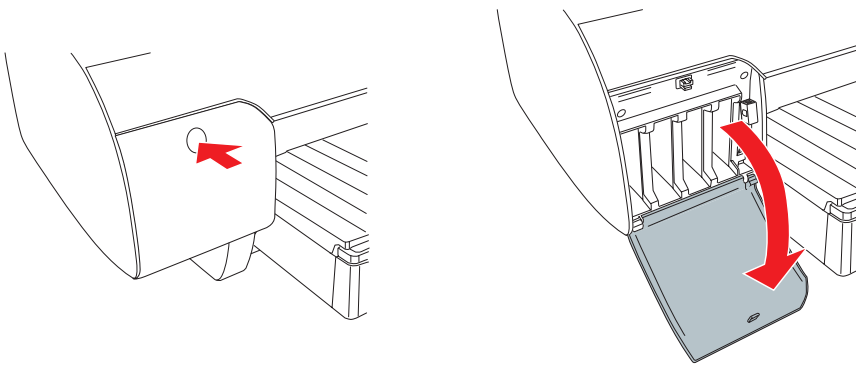
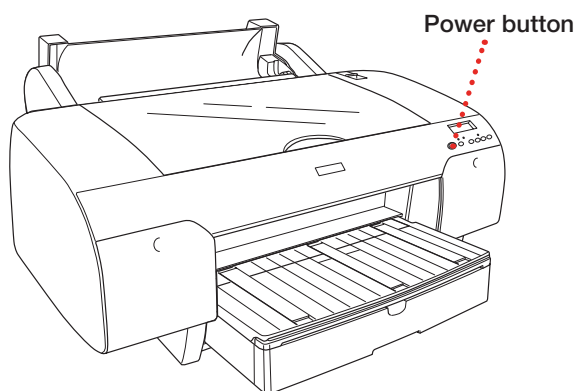
Set Up and Turn On the Printer

- 1** Connect the power cord to the AC inlet on the back of the printer. (Do not connect the printer cable yet.)
- 2** Plug the other end of the power cord into a properly grounded electrical outlet.
- 3** Insert the paper tray into the slots at the front of the printer.

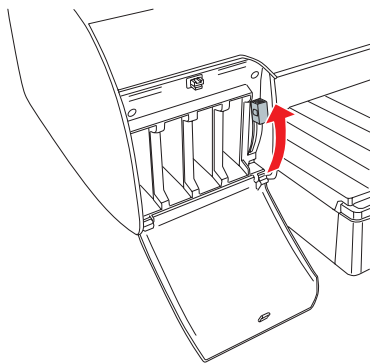


Install Ink Cartridges

- 1** Press the  power button to turn on the printer.
- 2** Press both ink compartment covers to open them.

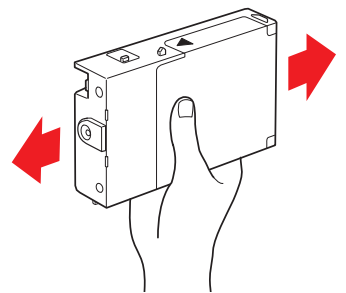


- 3** Raise both ink levers.

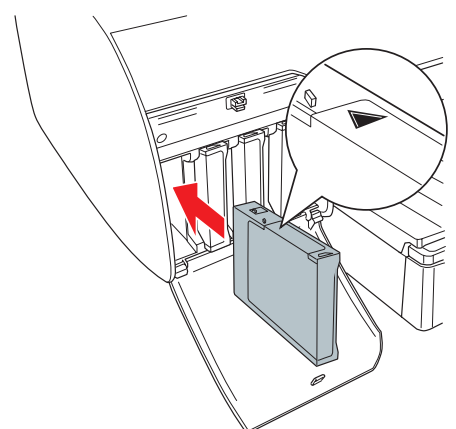


- 4** Remove each ink cartridge from its package and gently shake the cartridge.

Note: The first time you install ink cartridges, the printer uses some ink to charge the printing system, so print yields may be lower with the first cartridges. Subsequent ink cartridges will last for their full rated life.



- 5** Install the ink cartridges in the printer. Hold each cartridge with the arrow pointing toward the printer, then insert it into its slot. Make sure you insert each cartridge in the correct slot.




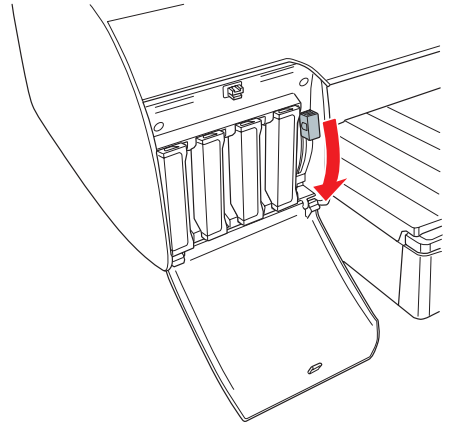
6 After installing all 8 cartridges, lower the ink levers. The printer begins charging the ink delivery system and the **■** pause light flashes.

7 After approximately 2 minutes, ink lever messages appear on the LCD. Follow the instruction to raise or lower the ink levers.

Caution: Charging takes about 8 minutes. Never turn off the printer, open the cover, remove the rear cover, release the paper lever, or remove the ink cartridges or maintenance tank while the **■** pause light is flashing, or you may damage the printer.

8 When **READY** appears on the LCD display, charging is complete. Close the ink compartment covers.

Caution: Always turn off the printer using the  power button. Then wait until the LCD display turns off. This ensures that the print head is safely capped.



Install Software for a USB Connection

Your printer software works with Windows Vista[®], Vista x64, Windows[®] XP, XP Professional x64 Edition, and Macintosh[®] OS X 10.4.9 or higher, or 10.5 or higher. If you are using the USB interface, follow the steps below to install the printer software. If you are using the Ethernet interface, follow the steps in Chapter 1 of the *Printer Guide* to configure the printer and install the software.


When you're finished installing software, update the printer firmware if necessary. See chapter 1 of the *Printer Guide* for instructions.

Macintosh

1 Make sure your Macintosh and printer are turned on.

2 Connect the USB cable.

3 Insert the Epson Stylus Pro 4880 printer CD. If necessary, double-click the Epson CD-ROM desktop icon.

4 Double-click the  **Epson** icon.

5 Click **Install**.

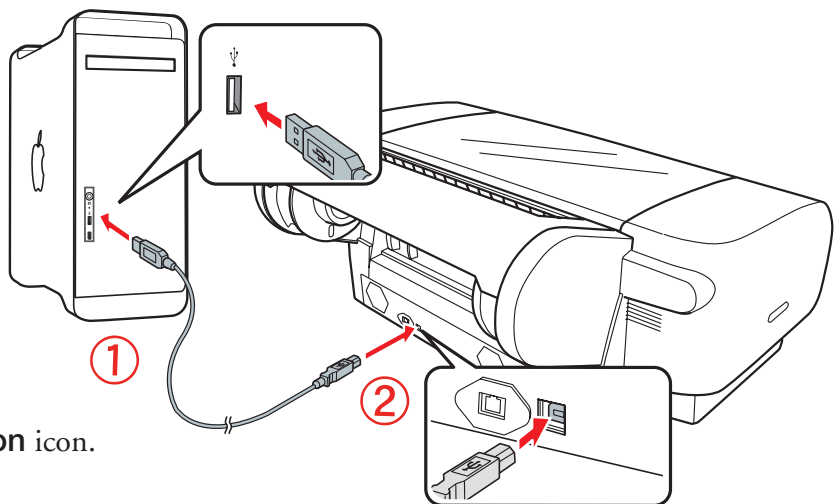
Note: If you see a message that the installer has detected an older version of EpsonNet Config on your system, you must uninstall the older version before you can install the new one. To uninstall, drag the EpsonNet folder to the trash. Then reinstall your printer software.

6 Follow the on-screen instructions to install all the necessary software and manuals, and place a link to the Epson Professional Imaging Website on your desktop.

7 Open the **Applications** folder, then open the **Utilities** folder. Open the **Printer Setup Utility** and click the **Add** icon at the top of the printer list window. (If you see a message that you have no printers available, click **Cancel**.)

8 Select the **Stylus Pro 4880** and click **Add**.

9 Close the printer list and any open windows, then eject the CD.



Windows

- 1 Make sure your computer and printer are turned on but the printer is NOT CONNECTED to your computer.

Note: If you see a Found New Hardware Wizard screen, click **Cancel** and disconnect the USB cable.

- 2 Insert the Epson Stylus Pro 4880 printer CD.

Note: With Windows Vista, if you see the AutoPlay window, click **Run Epsetup.exe**. When you see the User Account Control screen, click **Continue**.

- 3 Click **Install**.

Note: If you see message asking if you want to install or run various installation programs, select **Continue**, **Continue Anyway**, or **Install this driver software anyway**.

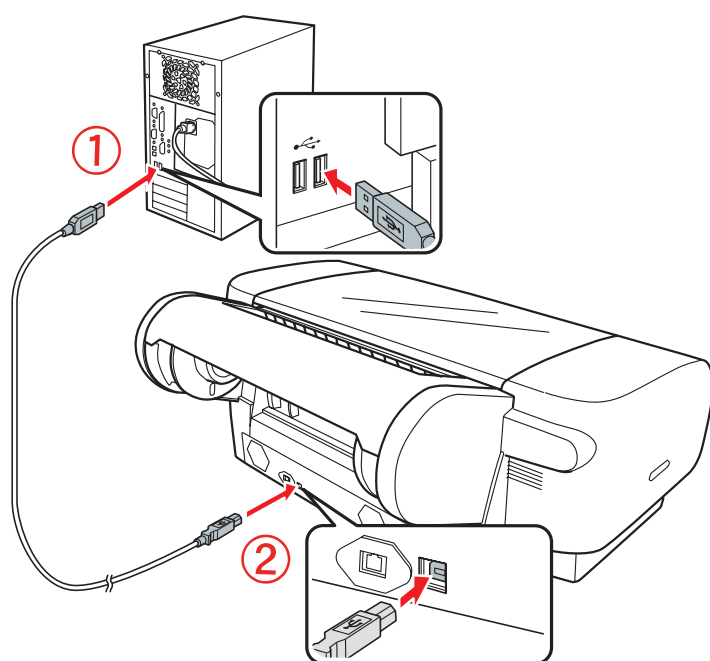


- 4 When you see a window asking you to connect the printer, connect the USB cable.

Note: With Windows XP, if you see a Found New Hardware Wizard screen after you connect the printer, select **No**, not this time and click **Next**. Then click **Next** again.

Note: If installation doesn't continue after a moment, make sure you securely connected and turned on the printer.

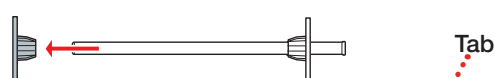
- 5 Follow the on-screen instructions to install all the necessary software and manuals, and place a link to the Epson Professional Imaging Website on your desktop.



- 6 When you're done, click **Exit** and remove the CD.

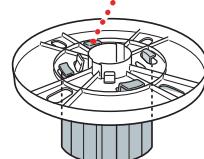
Load Roll Paper

- 1 Slide the black paper stop off the end of the spindle.

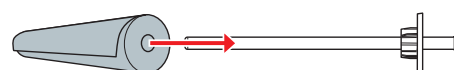


- 2 If the paper has a 2-inch core, remove the adapters by pressing the four tabs.

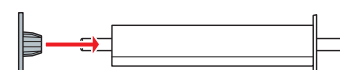
Note: Make sure your hands are clean, and avoid touching the printable surface of the paper. Try to handle paper by the edges. Make sure you don't rub or scratch the coating or dent the edges of the paper.



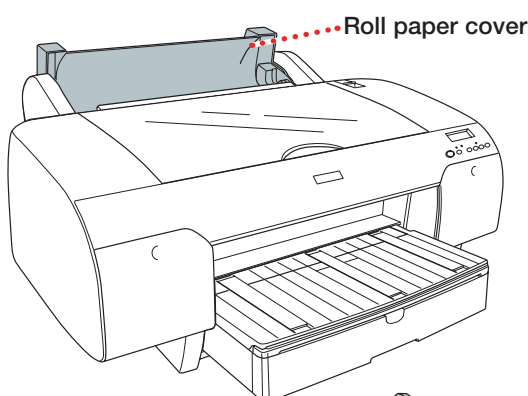
- 3 Position the roll so the paper unwinds as shown, then slide it onto the spindle.



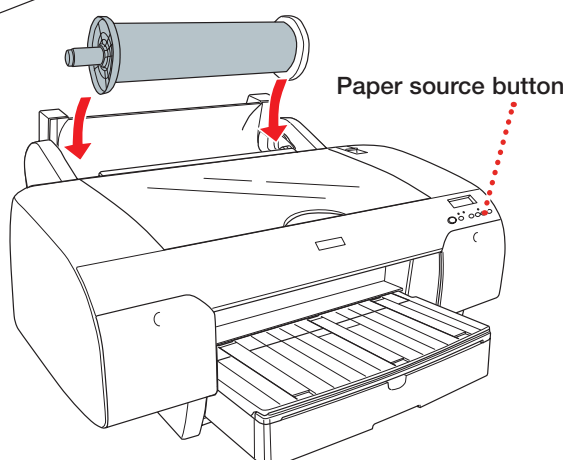
- 4 Slide the black paper stop back onto the spindle. Insert it firmly into the end of the roll.





- 5 Open the roll paper cover.



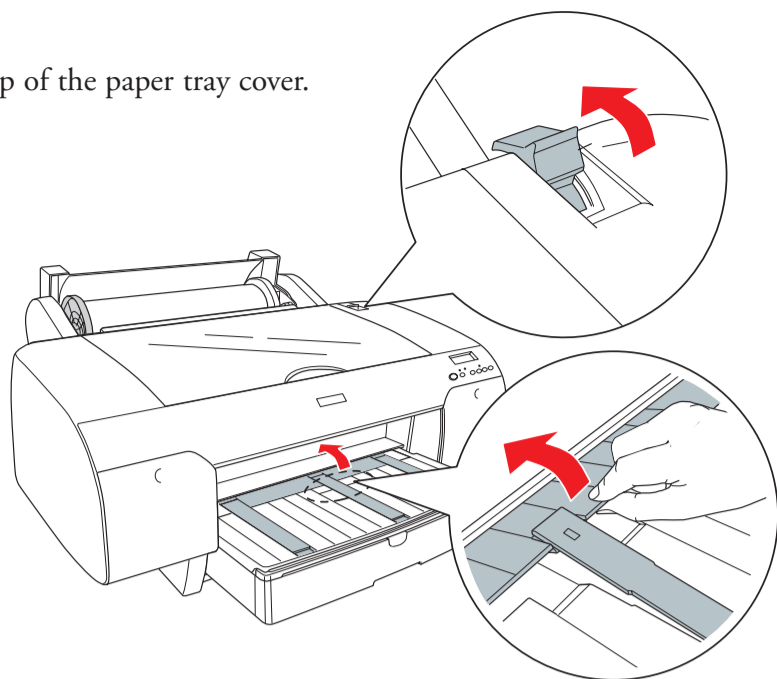
- 6 Place the paper and spindle in the printer as shown, with the black end on the left.



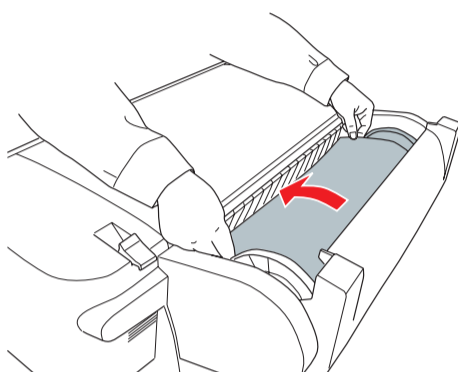
7 Make sure the printer is powered on and ready. Press the < paper source button until the  or  roll paper icon appears.

8 Raise the roll paper support on top of the paper tray cover.

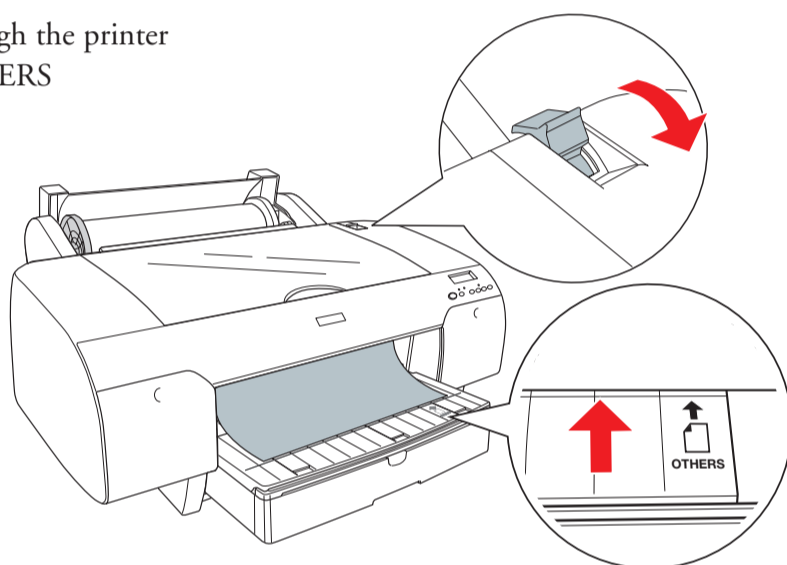
9 Release the paper lever.



10 Hold both sides of the paper and feed into the slot.



11 Feed the paper all the way through the printer until it is aligned with the OTHERS mark on the paper tray cover. Align the right edge with the vertical mark on the right side of the tray cover. Then return the paper lever to the secured position and close the roll paper cover.



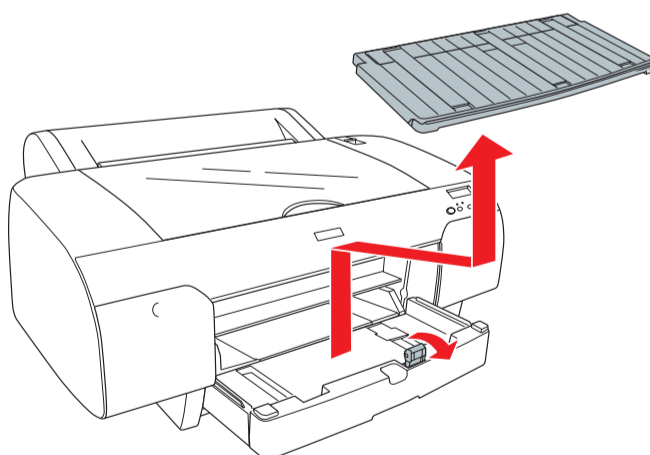
Load Cut Sheet Paper

When you are ready to print on cut sheet paper, make sure you release the paper lever and wind up the roll paper. Then return the paper to the secured position and close the roll paper cover. Also, make sure you lower the roll paper support on the paper tray.

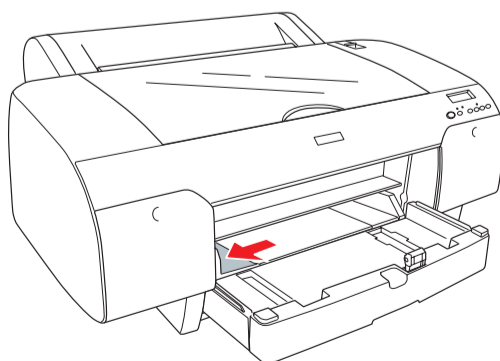
Note: Some paper types cannot be used with the paper tray. You need to load them through the front or rear manual feed slots. See the *Printer Guide* for details.

1 Remove the paper tray cover and flip up the paper guide roller.

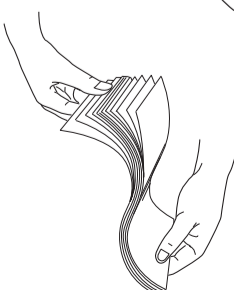
Note: If your paper size is A3 or larger, pull out the paper tray.



2 Slide the edge guide all the way to the left.



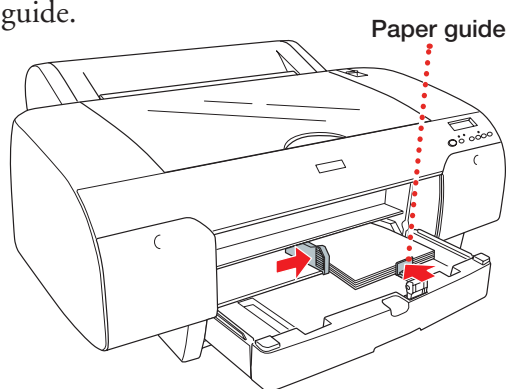
3 Thumb through a stack of paper, then gently tap it on a flat surface to even the edges.



- 4** Load the sheets in portrait orientation, with the whiter or glossier printable side face down. Place the paper all the way back, against the right side of the tray.

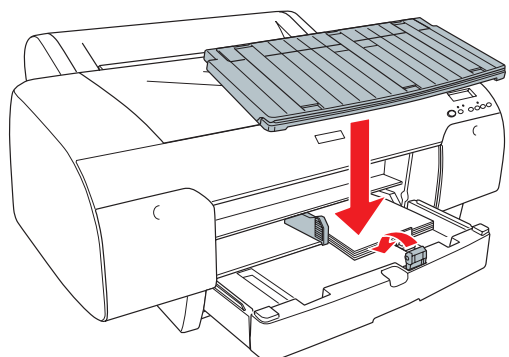
Don't load paper above the arrow mark inside the edge guide.

- 5** Adjust the paper tray and edge guide according to the paper size. For small sheets, raise the paper guide and move it to the edge of the stack.



- 6** Flip down the paper guide roller, then replace the paper tray cover and adjust its length.

Note: Make sure the roll paper support is not raised.



- 7** Press the < paper source button until you see the  cut sheet icon.

Any Questions?

Look here for answers:

Quick Reference Guide

Keep this book handy for instructions on loading paper, replacing ink cartridges and other components, checking and aligning the print head, and what to do when you see a printer error message. You can hang it on the side of your printer by using the included hook.

Printer Guide

Basic steps for using your printer. See Chapter 1 to install the printer software if you are connecting the printer on a network.

On-screen User's Guide

Double-click the **ESP4880 User's Guide** desktop icon for easy access to Epson Stylus Pro 4880 information.

On-screen Network Guide

Double-click the **Epson Network Guide** desktop icon for instructions on configuring the printer for a network.

On-screen help with your software

Select **Help** or **?** when you're using your software.

Epson Technical Support

Internet Support

epson.com/support

Epson PreferredSM Limited Warranty Plan

(888) 377-6611. Make sure you have your Epson Preferred Unit ID number. If you have any difficulty with this service, call (562) 276-1305. You can purchase a one- or two-year extended service plan through your Epson authorized reseller or from Epson.[®]

Need Ink and Paper?

For the best prints, use genuine Epson ink and paper. You can purchase them from an Epson Professional Imaging authorized reseller. To find the nearest reseller visit www.proimaging.epson.com (U.S. sales), www.epson.ca (Canadian sales), or call 800-GO-EPSON (800-463-7766). Or you can also purchase online at www.proimaging.epson.com (U.S. sales) or www.epson.ca (Canadian sales).

Epson and Epson Stylus are registered trademarks and Epson Exceed Your Vision is a trademark of Seiko Epson Corporation. Epson Preferred is a service mark of Epson America, Inc.

General Notice: Other product names used herein are for identification purposes only and may be trademarks of their respective owners. Epson disclaims any and all rights in those marks.

The contents of this sheet are subject to change without notice.

© 2007 Epson America, Inc. 9/07

Printed in USA

CPD-24504