

AXIS P5414-E PTZ Dome Network Camera

Intelligent direct drive HDTV PTZ dome



- > Outdoor wall-mount design for easy installation
- > Repaintable integrated sunshield
- > Durable, low maintenance mechanics
- > HDTV 720p with 18x zoom
- > Two-way audio & I/Os

AXIS P5414-E PTZ Dome Network Camera is an attractively priced, outdoor-ready HDTV 720p PTZ dome with 18x optical zoom for wall-mount surveillance installations. Designed to blend in with the environment, the camera is ideal for use in city and perimeter surveillance, parking houses and school yards.

The camera's built-in wall bracket enables easy installation and lowers total installation costs since a separate mounting accessory is not required. The integrated sunshield can be easily removed and repainted to match the color of a building façade. The sloping form helps the camera resist attempts by vandals to pull it down with a rope.

AXIS P5414-E's innovations extend inside as well. It has a direct drive pan/tilt system that enables unsurpassed endurance. With no belts or gears, AXIS P5414-E is a reliable, low-maintenance PTZ camera.

When mounted on the corner of a building, AXIS P5414-E enables a 270° pan for wide area coverage. The 18x optical zoom with autofocus in combination with the HDTV 720p resolution provides highly detailed zoomed-in views. Support for Advanced Gatekeeper enables the camera to automatically pan, tilt and zoom in to a preset position when motion is detected in a predefined area.

The camera has a hidden junction box that supports two-way audio, a memory card slot, four configurable input/output ports for external devices, and the option of using either 24 V DC or Power over Ethernet Plus (IEEE 802.3at).

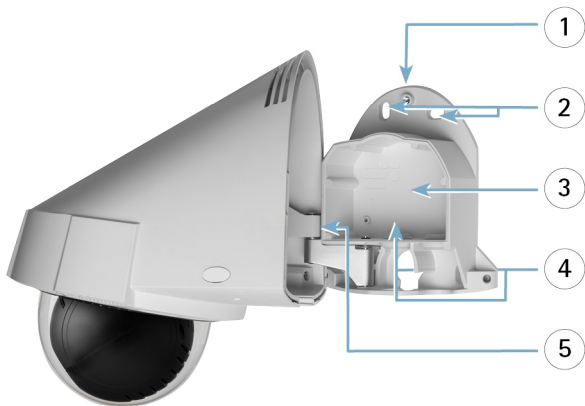


Innovation inside and out



AXIS P5414-E introduces an intelligent, direct drive pan/tilt system and a new design for wall-mount PTZ cameras that enables easy and discreet installation

Easy to install; blends in with environment

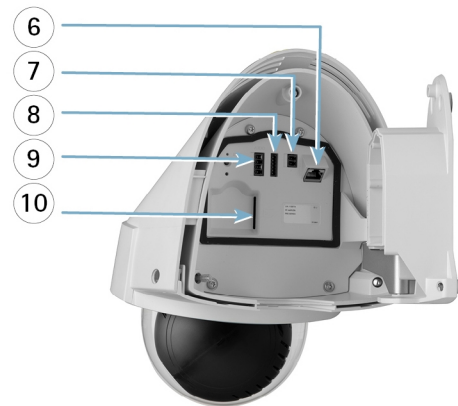


AXIS P5414-E comes with a built-in wall bracket (1) for easy installation. Oblong screw holes (2) make leveling easier. Extra space (3) is provided for service loops and there are holes (4) for cables. With a lift-off hinge (5), the camera, together with the integrated sunshield, is easily hung onto the wall bracket, freeing up hands to make cable connections. The hinge allows the camera unit to swing in and be fastened with three screws.



Shaped like a lamp, the camera's sloping form not only makes it more discreet, but also hinders attempts by vandals to pull it down with a rope. The sunshield (at left) covers the entire camera and can be easily removed into two parts and repainted to match the wall color. Air vents in the sunshield are designed to prevent the entry of wasps and other big insects.

Hidden and waterproof junction box



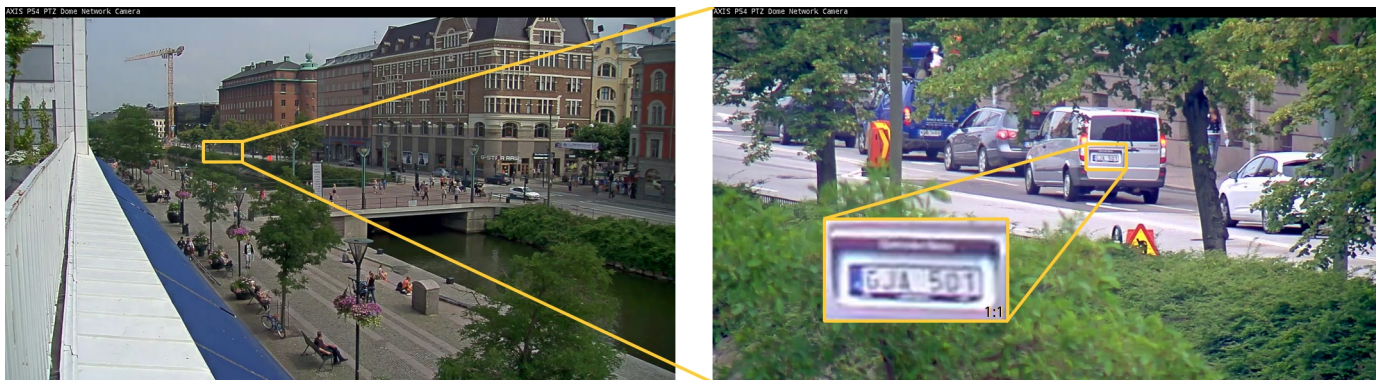
The waterproof IP66-rated junction box contains an RJ45 connector (6) for network connection and power using Power over Ethernet Plus (PoE+). Users can also choose to power (7) the camera using a 24 V DC cable (cable not included). There are also four configurable input/output ports (8) for connection to external devices to enhance alarm management. Two-way audio, with mic in/line in and line output (9), is supported. A memory card slot (10) enables recordings to be stored locally on an SD/SDHC/SDXC card.

Unsurpassed mechanical endurance



AXIS P5414-E is directly attached to the drive shaft of two motors (pointed out in image at left)—one for panning and another for tilting the camera. With no parts such as belts or gears, AXIS P5414-E's durable pan/tilt system is fast and provides customers with a reliable, low-maintenance PTZ camera.

HDTV quality and 18x optical zoom



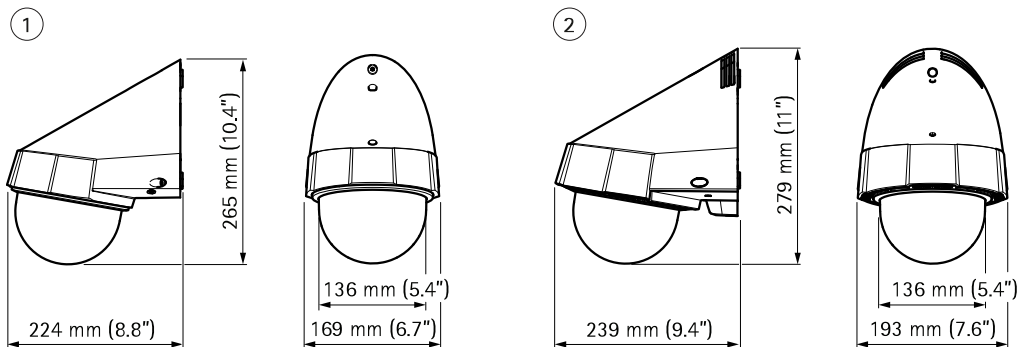
Images from AXIS P5414-E. Left: wide view. Right: 18x zoomed-in view where the license plate of a vehicle 200 m (660 ft.) away can be read.

AXIS P5414-E offers superb HDTV 720p video in compliance with SMPTE 296M standard of 1280x720 pixel resolution, full frame rate, HDTV color fidelity and a 16:9 format. With 18x optical zoom and autofocus, the license plate of a car can be read 200 m (660 ft.) away. In low light or

night-time conditions, the camera's automatic day/night functionality enables it to make use of infrared light from available light sources to produce high-quality black and white video.

Dimensions

1. Without sunshield: side and front views
2. With sunshield: side and front views



Optional accessories

1. AXIS P54 Smoked Dome A
2. AXIS T94P01B Corner Bracket
3. AXIS T98A19-VE Surveillance Cabinet
4. AXIS T8310 Video Surveillance Control Board
5. AXIS T90A Illuminators
6. Axis High PoE midspans
7. AXIS Camera Station and video management software from Axis' Application Development Partners. For more information, see www.axis.com/products/video/software/



Technical Specifications - AXIS P5414-E PTZ Dome Network Camera

Models	AXIS P5414-E 50 Hz, AXIS P5414-E 60 Hz	
Camera		
Image sensor	1/2.9" progressive scan RGB CMOS	
Lens	f=4.7–84.6 mm, F1.6–2.8, autofocus Horizontal angle of view: 59°–4°	
Day and night	Automatically removable infrared-cut filter	
Minimum illumination	Color: 0.4 lux at 30 IRE F1.6 B/W: 0.04 lux at 30 IRE F1.6	
Shutter time	2 s to 1/28000 s	
Pan/Tilt/Zoom	Pan: ± 135° ^a , 0.2–350°/s Tilt: 0°– 90°, 0.2–350°/s 18x optical zoom and 12x digital zoom, total 216x zoom 100 preset positions, Limited guard tour, Control queue, Focus window, On-screen directional indicator	
Video		
Video compression	H.264 Main and Baseline Profiles (MPEG-4 Part 10/AVC) Motion JPEG	
Resolutions	1280x720 (HDTV 720p) to 240x135	
Frame rate	H.264: Up to 25/30 fps (50/60 Hz) in all resolutions Motion JPEG: Up to 25/30 fps (50/60 Hz) in all resolutions	
Video streaming	Multiple, individually configurable streams in H.264 and Motion JPEG Controllable frame rate and bandwidth VBR/CBR H.264	
Image settings	Compression, Color, Brightness, Sharpness, Contrast, White balance, Exposure control, Exposure zones, Backlight compensation, Fine tuning of behavior at low light, Text and image overlay, 20 individual 3D privacy masks	
Audio		
Audio streaming	Two-way	
Audio compression	AAC-LC 8/16 kHz, G.711 PCM 8 kHz, G.726 ADPCM 8 kHz Configurable bit rate	
Audio input/output	External microphone or line input, and line output	
Network		
Security	Password protection, IP address filtering, HTTPS ^b encryption, IEEE 802.1X ^b network access control, Digest authentication, User access log	
Supported protocols	IPv4/v6, HTTP, HTTPS ^b , SSL/TLS ^b , QoS Layer 3 DiffServ, FTP, CIFS/SMB, SMTP, Bonjour, UPnP, SNMPv1/v2c/v3 (MIB-II), DNS, DynDNS, NTP, RTSP, RTP, TCP, UDP, IGMP, RTCP, ICMP, DHCP, ARP, SOCKS	
System integration		
Application Programming Interface	Open API for software integration, including VAPIX [®] and AXIS Camera Application Platform; specifications at www.axis.com AXIS Video Hosting System (AVHS) with One-Click Camera Connection ONVIF Profile S, specifications at www.onvif.org	
Intelligent video	Video motion detection, Audio detection, Advanced Gatekeeper, AXIS Camera Application Platform enabling installation of additional applications	
Event triggers	Video motion detection, Audio detection, External input, PTZ preset, Temperature, Memory card full	
Event actions	File upload: FTP, HTTP, network share and email Notification: email, HTTP and TCP External output, PTZ preset, Guard tour, Play audio clip, Video and audio recording to edge storage, Day/night mode, Pre- and post-alarm video buffering	
Data streaming	Event data	
Built-in installation aids	Pixel counter	
General		
Casing	IP66- and NEMA 4X-rated metal casing (aluminum), clear dome (PC), sunshield (ASA)	
Memory	256 MB RAM, 128 MB Flash	
Power	Power over Ethernet Plus (PoE+) IEEE 802.3at Type 2 Class 4, max. 30 W 24 V DC max. 16 W (PoE+ midspan and power supply not included)	
Connectors	RJ45 for 10BASE-T/100BASE-TX PoE Terminal blocks for DC input, 4 configurable alarm inputs/outputs, mic in/line in, line out	
Edge storage	SD/SDHC/SDXC slot supporting memory card up to 64 GB (card not included) Support for recording to network share (network-attached storage or file server)	
Operating conditions	-20 °C to 50 °C (-4 °F to 122 °F) Humidity 10–100% RH (condensing)	
Approvals	EN 50121-4, IEC 62236-4: 2008, EN 50581, EN 55022 Class B, EN 61000-6-1, EN 61000-6-2, EN 55024, FCC Part 15 Subpart B Class B, ICES-003 Class B, VCCI Class B, C-tick AS/NZS CISPR 22 Class B, KCC KN22 Class B, KN24, IEC/EN/UL 60950-1, IEC/EN/UL 60950-22, IEC 60068-2-1, IEC 60068-2-2, IEC 60068-2-6, IEC 60068-2-14, IEC 60068-2-27, IEC 60068-2-30, IEC 60068-2-78, IEC 60529 IP66, NEMA 250 Type 4X, ISO 4892-2	
Weight	3.5 kg (7.7 lb.)	
Included accessories	Installation Guide, AVHS Authentication key, Installation and Management Software CD, Windows decoder 1–user license	
Video management software	AXIS Camera Companion (included), AXIS Camera Station and video management software from Axis' Application Development Partners (not included). For more information, see www.axis.com/products/video/software	
Warranty	Axis 3-year warranty and AXIS Extended Warranty option, see www.axis.com/warranty	

- With corner-mount installations, there is slight visual obstruction from the housing in the upper left/right corner of the image at pan end points.
- This product includes software developed by the OpenSSL Project for use in the OpenSSL Toolkit. (www.openssl.org), and cryptographic software written by Eric Young (ey@cryptsoft.com).

More information is available at www.axis.com