

**AA1403019-E6-AO**  
10Gbase SFP+ Twinax Cable

**Features**

- Support for multi-gigabit data rates up to 10Gb/s
- Data rates backward compatible to 1 Gb/s
- Hot-pluggable SFP 20PIN footprint
- Improved Pluggable Form Factor (IPF) compliant for enhanced EMI/EMC performance
- Compatible to SFP+ MSA
- Compatible to SFF-8431, SFF-8432
- RoHS Compatible



**Application**

- High capacity I/O in Storage Area Networks, Network Attached Storage, and Storage Servers
- Switched fabric I/O such as ultra high bandwidth switches and routers
- Data center cabling infrastructure
- High density connections between networking equipment

**Product Description**

AddOn Computer's Twinax are cost effective hot pluggable cables for 10G Ethernet and 10G Fiber Channel applications. The SFP+ modules open the capability to achieve high port density, configurability and utilization at a low cost. Also, helps reduced your power budget. AddOn Computer's Twinax cables meet and exceed OEM's performance and reliability.

## Pin Description

Pin	Logic	Symbol	Description	Notes
1		VeeT	Transmitter Ground	
2	LV-TTL-O	TX_Fault	N/A	1
3	LV-TTL-I	TX_DIS	Transmitter Disable	2
4	LV-TTL-I/O	SDA	Tow Wire Serial Data	
5	LV-TTL-I	SCL	Tow Wire Serial Clock	
6		MOD_DEFO	Module present, connect to VeeT	
7	LV-TTL-I	RS0	N/A	1
8	LV-TTL-O	LOS	LOS of Signal	2
9	LV-TTL-I	RS1	N/A	1
10		VeeR	Receiver Ground	
11		VeeR	Receiver Ground	
12	CML-O	RD-	Receiver Data Inverted	
13	CML-O	RD+	Receiver Data Non-Inverted	
14		VeeR	Receiver Ground	
15		VccR	Receiver Supply 3.3V	
16		VccT	Transmitter Supply 3.3V	
17		VeeT	Transmitter Ground	
18	CML-I	TD+	Transmitter Data Non-Inverted	
19	CML-I	TD-	Transmitter Data Inverted	
20		VeeT	Transmitter ground	

### Notes:

1. Signals not supported in SFP+ Copper pulled-down to VeeT with 30K ohms resistor.
2. Passive cable assemblies do not support LOS and TX\_DIS.

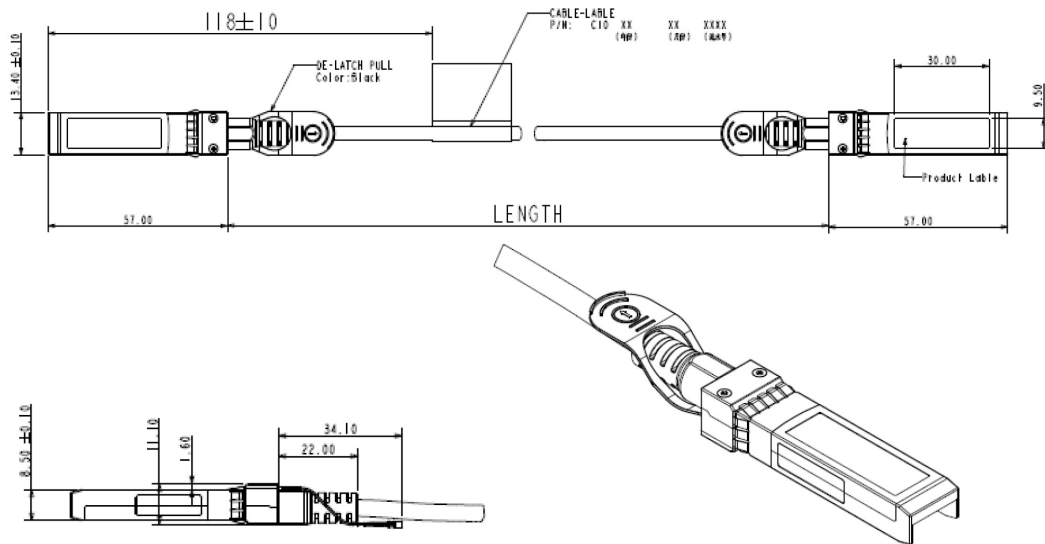
### Recommended Operating Conditions

Parameter	Min.	Typ.	Max.	Unit
Storage Temperature		-40	+85	°C
Operating Case Temperature	Tc	0	+70	°C

### Systems

Performance	Media
10 Gb/s line speed, full duplex Bit error rate: better than 10E-12	Hot-pluggable, industry-standard Small Form-Factor Pluggable (SFP+) copper cable, available as 7m.

## Mechanical Specification



## Contact Information

AddOn Computer, Inc. is a leading supplier of Memory Upgrade, Network Transceivers and Network connectivity products to Channel Partners, Resellers and OEMs, with more than seventeen years of direct industry experience. AddOn Computer has been the exclusive supplier to Ingram Micro's "Memory Upgrades" program for the past nine years.

AddOn Computer maximizes profitable opportunities for our partners. Our ability to source product worldwide, ensures that our pricing will always be competitive. Offering turnkey solutions, AddOn Computer has forged a reputation as a solutions provider, delivering high quality, cost effective product in a timely and reliable manner.

Corporate office:  
AddOn Computer  
30400 Esperanza  
Rancho Santa Margarita, CA 92688

Tel: 877-292-1701  
Fax: 949-266-9273  
Email: [sales@addoncomputer.com](mailto:sales@addoncomputer.com)  
Email: [support@addoncomputer.com](mailto:support@addoncomputer.com)  
Web: <http://www.addoncomputer.com>