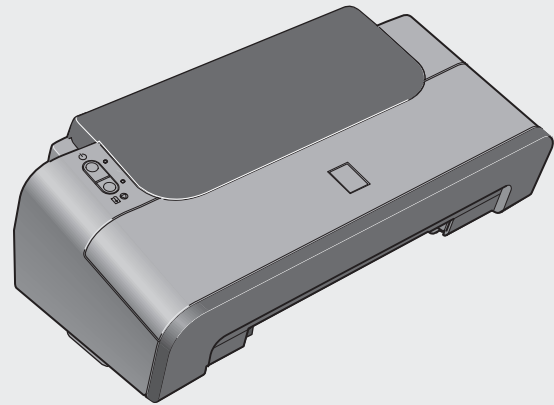
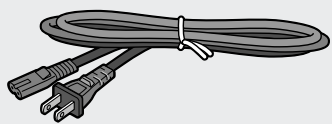


1 Unpack the Printer

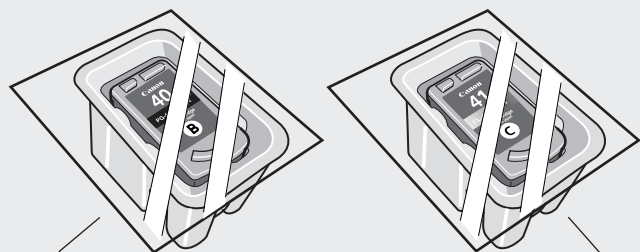
- Carefully remove all items from the box.



PIXMA iP1700 Photo Printer



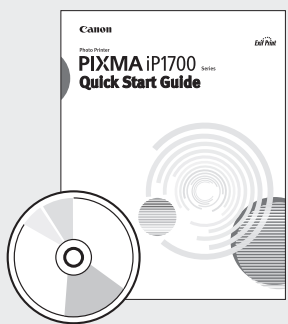
Power Cord



PG-40

FINE Cartridges

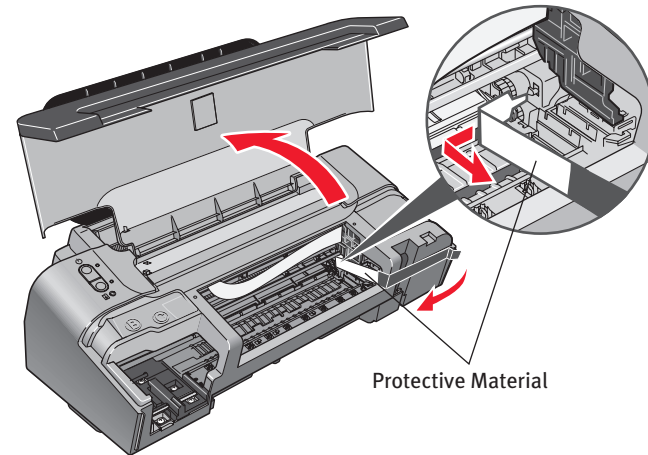
CL-41



Documentation and Software Kit

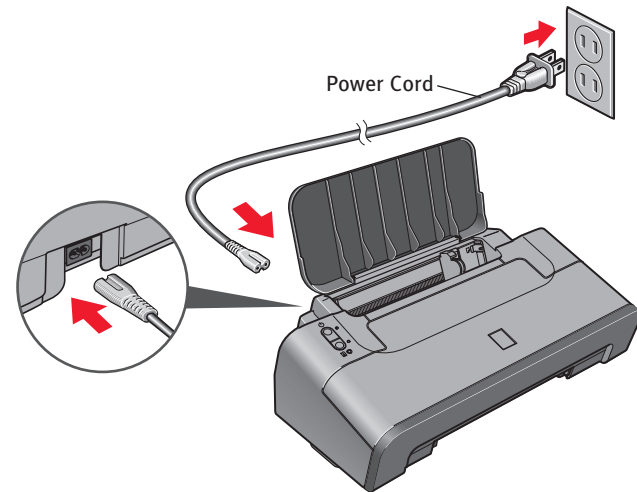
2 Prepare the Printer

- Open the Paper Support and the Front Cover, then remove the Protective Material on the right side.



Protective Material

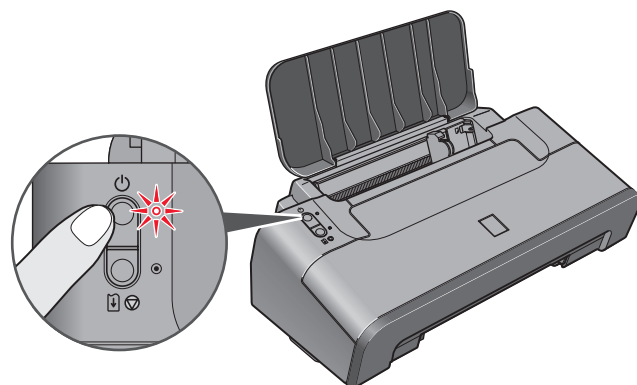
- Plug the Power Cord into the back of the printer and connect the other end to a power outlet.



Power Cord

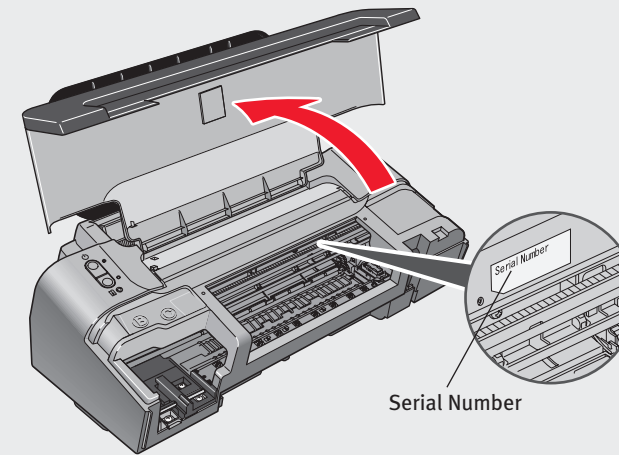
NOTE: Do NOT connect the USB cable at this stage.

- TURN THE PRINTER ON.** The printer will initialize. Wait until the **POWER** lamp remains fully lit.



3 Install the FINE Cartridges

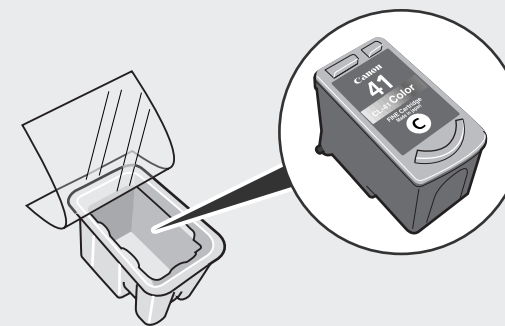
- Open the Front Cover. The FINE Cartridge Holder automatically moves to the left.



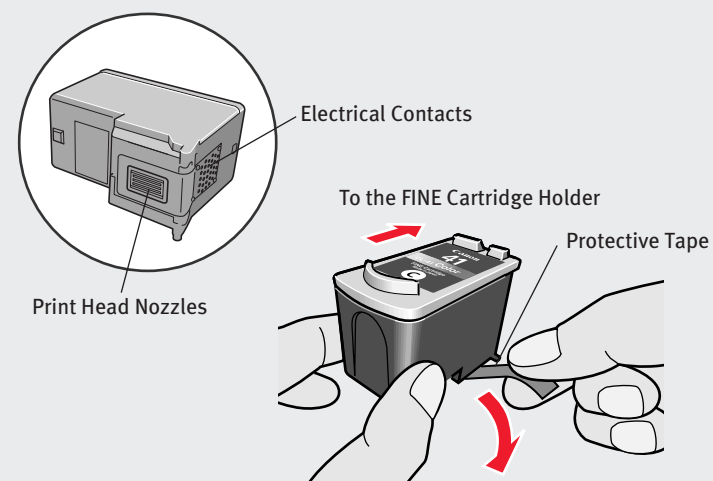
Serial Number

- Write down the serial number. You will need this to register the product.

- Remove the Color FINE Cartridge (CL-41) from its box.



- Remove the Protective Tape gently.



Electrical Contacts

Print Head Nozzles

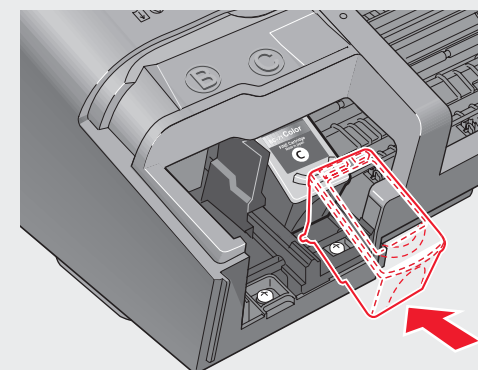
To the FINE Cartridge Holder

Protective Tape

NOTE:

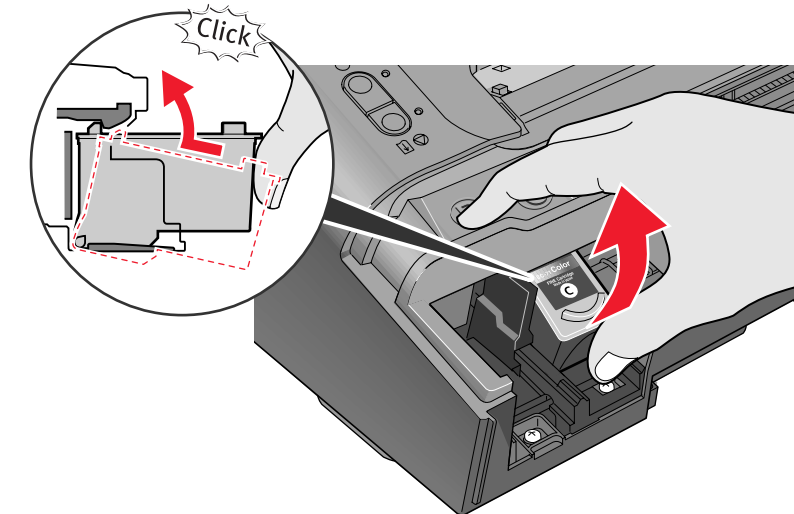
- Do not touch the electrical contacts or Print Head Nozzles on a FINE Cartridge. The printer may not print out properly if you touch it.
- Do not reattach the Protective Tape once you have removed it.
- Handle the removed Protective Tape carefully to avoid getting your hands dirty or staining surrounding work area.

- Insert the Color FINE Cartridge slightly slanted into the right slot (C).

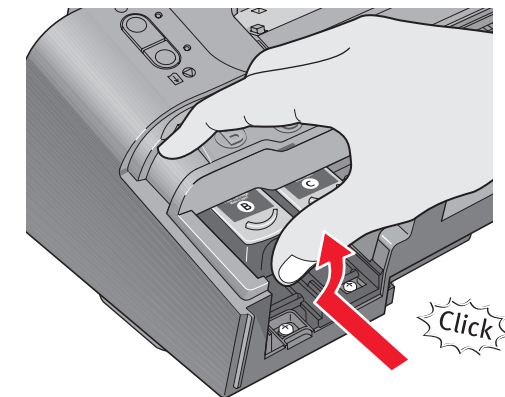


- Push up the FINE Cartridge until it clicks into place.

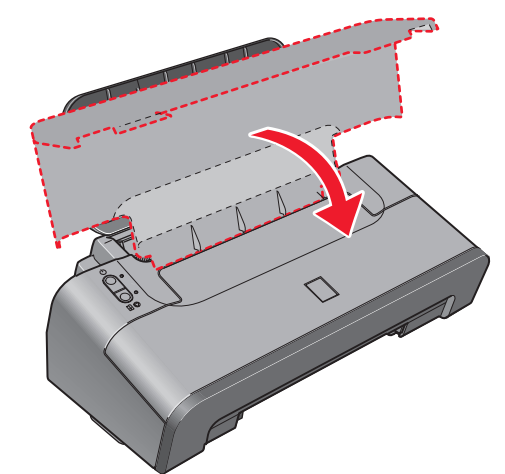
IMPORTANT: For correct printer operation, make sure the FINE Cartridge is secure in slots.



- Repeat the procedure for the Black FINE Cartridge (PG-40), inserting it into the left slot (B).



- Close the Front Cover.



NOTE: The printer will perform a Print Head Cleaning after the cover is closed. Wait until the process is complete before proceeding.

IMPORTANT: Wait until the preparatory operation is complete; this takes about one to two minutes.

Continue with Step 4 on side two.



4 Windows® Printer Driver Installation

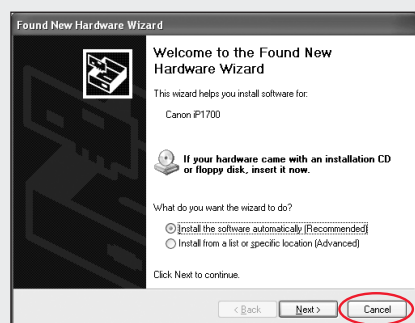
1 TURN THE PRINTER OFF.

2 Turn the computer on and start Windows.

NOTE:

- Before installing the driver, disable all anti-virus programs and automatically loading programs.
- For Windows XP or Windows 2000, log on to Windows as a member of the **Administrators** group before continuing.
- Do not switch users during the installation process.

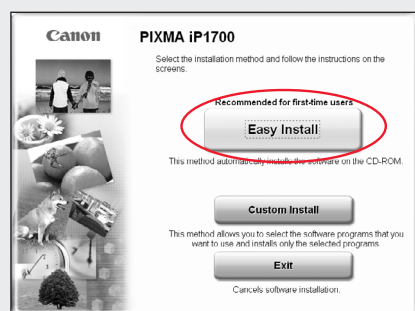
IMPORTANT: If you see the **Found New Hardware Wizard**, click **Cancel**.



3 Insert the *Setup CD-ROM*.

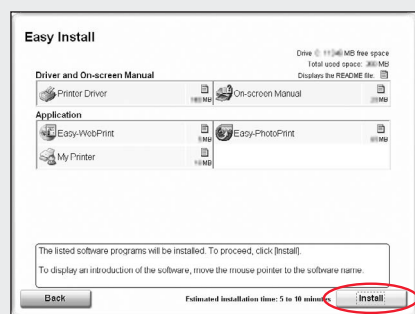
The setup program should run automatically.

4 When the main menu appears, click **Easy Install** and follow the on-screen instructions.



NOTE: There are two types of the printer driver installations: the **Easy Install** installation and the **Custom Install** installation. Select **Easy Install** in order to install the printer driver, On-screen Manuals, and application softwares. Select **Custom Install** in order to choose the options you would like to install.

5 When the **Easy Install** window appears, click **Install**.

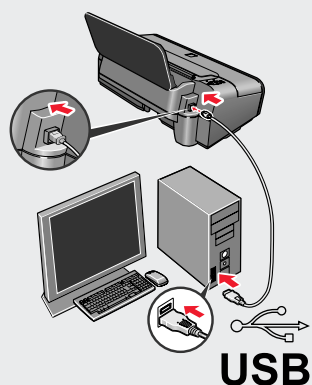
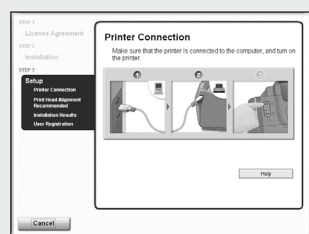


NOTE:

- To install PhotoRecord and Adobe RGB (1998), click **Custom Install** and follow the instructions on the screen.
- Move the cursor over items to display explanations of each application below.
- Adobe RGB (1998) cannot be installed in Windows Me and Windows 98.

6 Read the **License Agreement**, then click **Yes** to continue. Installation of the printer driver, On-screen Manuals, and application softwares will begin. Follow the on-screen instructions.

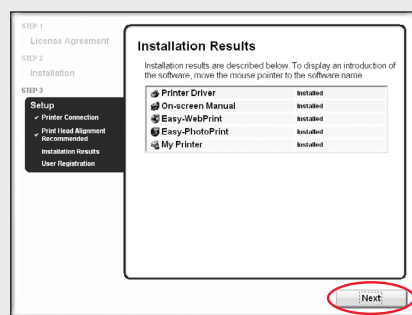
7 When the **Printer Connection** window appears, connect the USB cable to the computer and the other end to the printer.



8 TURN THE PRINTER ON.

IMPORTANT: If you cannot proceed to the next procedure after two minutes, refer to **“Troubleshooting”** instructions in the *Quick Start Guide*.

9 Follow the on-screen instructions to install the remaining software. When the **Installation Results** window appears, click **Next**.



NOTE: When the **Print Head Alignment Recommended** window appears, click **Next**.

10 Follow the on-screen instructions to register your product.

11 When the **Installation completed successfully** window appears, click **Exit**.

NOTE: If a message prompting you to restart the computer appears, check the check box and click **Restart**.



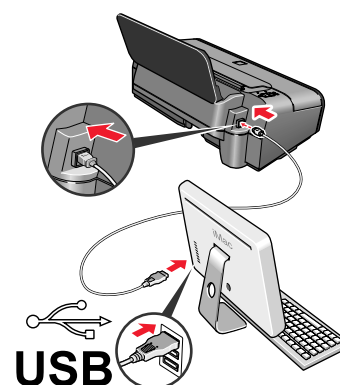
NOTE: If the straight line is misaligned or print quality is not satisfactory after installing the printer driver, you may need to align the Print Head. Refer to **“Aligning the Print Head”** instructions in the *Quick Start Guide*.

4 Macintosh® Printer Driver Installation

NOTE:

- The screens below refer to Mac® OS X v.10.4.x installation. Screens may differ depending on the operating system you are using.
- Before installing the driver, disable all anti-virus programs and automatically loading programs.
- Do not remove or insert the USB cable during installation, as this may result in the computer or printer not operating normally.

1 Connect the end of the USB cable to the computer, the other to the printer.

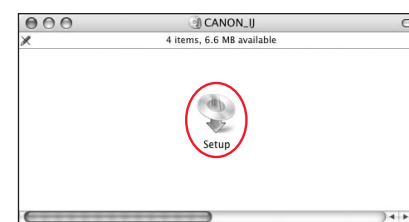


2 Turn on your Mac.

3 Insert the *Setup CD-ROM*.

NOTE: If the **CD-ROM** folder does not open automatically, double-click the **CD-ROM** icon on the desktop.

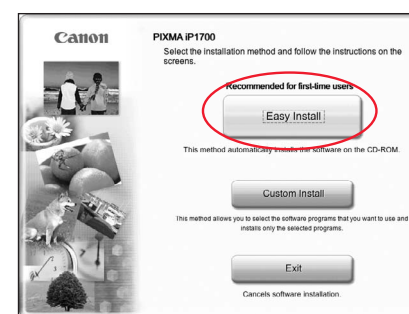
4 Double-click the **Setup** icon.



5 When the **Authenticate** screen appears, enter your administrator name and password. Click **OK**. If you do not know your administrator name or password, click **?**, then follow the on-screen instructions.

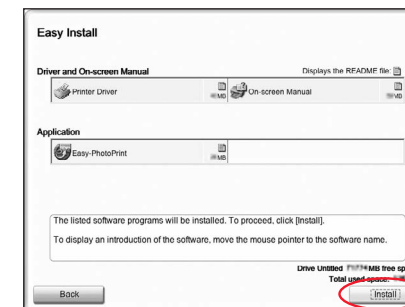


6 When the main menu appears, click **Easy Install** and follow the on-screen instructions.



NOTE: There are two types of the printer driver installations: the **Easy Install** installation and the **Custom Install** installation. Select **Easy Install** in order to install the printer driver, On-screen Manuals, and application softwares. Select **Custom Install** in order to choose the options you would like to install.

7 When the **Easy Install** screen appears, click **Install**.



NOTE: Move the cursor over items to display explanations of each application below.

8 Read the **License Agreement**, then click **Yes** to continue. Installation of the printer driver, On-screen Manuals, and application softwares will begin. Follow the on-screen instructions.

9 Follow the on-screen instructions to register your product.

10 When the **Installation completed successfully** screen appears, click **Restart**.



11 After restarting the computer, start **Printer Setup Utility** (start **Print Center** when you use Mac OS X v.10.2.8) and then check that the name of the printer you want to use is shown in **Printer List**. If the printer name is not displayed, press the **Add** button to add the printer. For more detailed instructions, refer to the Mac on-screen Help.

NOTE: If the straight line is misaligned or print quality is not satisfactory after installing the printer driver, you may need to align the Print Head. Refer to **“Aligning the Print Head”** instructions in the *Quick Start Guide*.