

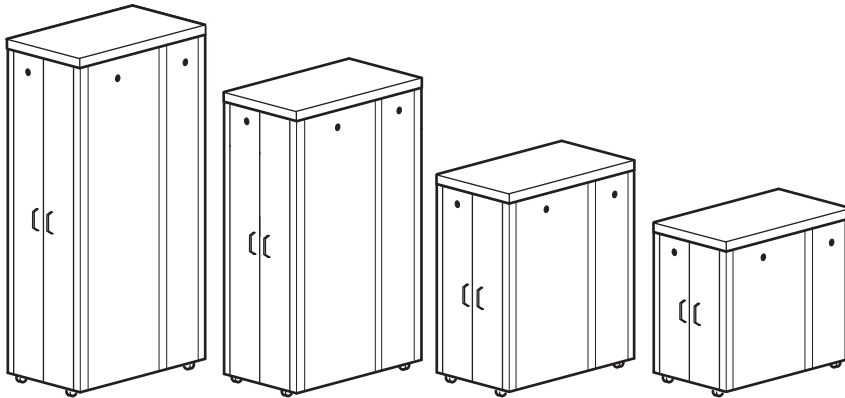
NetShelter™ Soundproof Racks

Installation

AR4012A, AR4017A, AR4017IA, AR4032A, AR4032IA, AR4038LA, AR4038LIA



Release date: 5/2024



Legal Information

The Schneider Electric brand and any trademarks of Schneider Electric SE and its subsidiaries referred to in this guide are the property of Schneider Electric SE or its subsidiaries. All other brands may be trademarks of their respective owners.

This guide and its content are protected under applicable copyright laws and furnished for informational use only. No part of this guide may be reproduced or transmitted in any form or by any means (electronic, mechanical, photocopying, recording, or otherwise), for any purpose, without the prior written permission of Schneider Electric.

Schneider Electric does not grant any right or license for commercial use of the guide or its content, except for a non-exclusive and personal license to consult it on an “as is” basis. Schneider Electric products and equipment should be installed, operated, serviced, and maintained only by qualified personnel.

As standards, specifications, and designs change from time to time, information contained in this guide may be subject to change without notice.

To the extent permitted by applicable law, no responsibility or liability is assumed by Schneider Electric and its subsidiaries for any errors or omissions in the informational content of this material or consequences arising out of or resulting from the use of the information contained herein.

Contents

Introduction	1
Product Overview	1
Safety	2
SAVE THESE INSTRUCTIONS	2
Qualified Personnel	2
Rack Safety	3
Labels	4
Inventory	5
Component Identification	5
Hardware Bag Contents	6
Tools Required (not provided)	6
Installation	7
Location Requirements	7
Move the Rack	7
Level the Rack	8
Tools Required (not provided)	8
Ground the Rack	9
Configuration	10
Front Doors	10
Hinges	10
Rear Door	11
Side Panels	13
Rack PDU	15
AR4012A	15
AR4017A, AR4032A, and AR4038LA	15
AR4017IA, AR4032IA, and AR4038LIA	15
Vertical 0U Accessory Channels	16
Vertical Mounting Flanges	17
Adjust the vertical mounting flanges on the horizontal mounting rails	17
Cable Management	18
Equipment Installation	19
Cage Nuts	19
Equipment Distribution in the Rack	20
Internal Dimensions	20
Accessories	21
Blanking Panels	21

Maintenance	22
Fan Modules	22
Safety Labels	22
Reset button	22
Fan Module Configuration	23
Remove the Fan Module	24
Fan Power Cord	26
Thermostat	27
Fan Specifications	27
Specifications	28
Two Year Factory Warranty	30
Terms of warranty	30
Non-transferable warranty	30
Exclusions	30
Warranty claims	30

Introduction

NetShelter™ Soundproof Racks are high-quality, IT racks for storage of industry-standard (EIA/ECA-310), 19 in (483 mm) rack-mount hardware, including servers and voice, data, networking, and internetworking devices. Additionally, NetShelter Soundproof Racks offer a ventilated environment with Rack Power Distribution included in an attractive, wood finished rack.

This manual covers the general installation and customization of the NetShelter Soundproof Racks.

Product Overview

SKU	Voltage	U-Space *	Mounting Width mm (in)	Mounting Depth mm (in)	Rack Height mm (in)	Rack Width mm (in)	Rack Depth mm (in)
AR4012A	120V	12U	482 (19)	870 (34.25)	782 (30.78)	750 (29.53)	1130 (44.45)
AR4017A	120V	17U	482 (19)	870 (34.25)	1002 (39.4)	750 (29.53)	1130 (44.45)
AR4017IA	230V	17U	482 (19)	870 (34.25)	1002 (39.4)	750 (29.53)	1130 (44.45)
AR4032A	120V	32U	482 (19)	870 (34.25)	1666 (65.5)	750 (29.53)	1130 (44.45)
AR4032IA	230V	32U	482 (19)	870 (34.25)	1666 (65.5)	750 (29.53)	1130 (44.45)
AR4038LA	120V	38U	482 (19)	880 (34.6)	1937 (76.8)	750 (29.53)	1130 (44.45)
AR4038LIA	230V	38U	482 (19)	880 (34.6)	1937 (76.8)	750 (29.53)	1130 (44.45)

* One U = 44.45 mm (1.75 in)

Safety

SAVE THESE INSTRUCTIONS

Read these instructions carefully and look at the equipment to become familiar with it before trying to install, operate, service or maintain it. The following safety messages may appear throughout this manual or on the equipment to warn of potential hazards or to call attention to information that clarifies or simplifies a procedure.



The addition of this symbol to a Danger or Warning product safety label indicates that an electrical hazard exists that will result in personal injury if the instructions are not followed.



This is the safety alert symbol. It is used to alert you to potential personal injury hazards. Obey all safety messages that follow this symbol to avoid possible injury or death.

DANGER

DANGER indicates a hazardous situation which, if not avoided, **will result in** death or serious injury.

Failure to follow these instructions will result in death or serious injury.

WARNING

WARNING indicates a hazardous situation which, if not avoided, **could result in** death or serious injury.

Failure to follow these instructions can result in death, serious injury or equipment damage.

CAUTION

CAUTION indicates a hazardous situation which, if not avoided, **could result in** minor or moderate injury.

Failure to follow these instructions can result in injury or equipment damage.

NOTICE

NOTICE is used to address practices not related to physical injury. The safety alert symbol is not used with this type of safety message.

Failure to follow these instructions can result in equipment damage.

Qualified Personnel

Electrical equipment should only be installed, operated, serviced, and maintained by qualified personnel.

A qualified person is one who has skills and knowledge related to the construction, installation and operation of electrical equipment and has received safety training to recognize and avoid the hazards involved.

Rack Safety

DANGER

HAZARD OF ELECTRIC SHOCK, EXPLOSION, OR ARC FLASH

- Follow all local and national codes when installing the Rack PDU.
- Connect the Rack PDU to the UPS, if installed, or to a single-outlet dedicated circuit.
- Utility power for the Rack PDU must be close to the rack and readily accessible.
- The power cord for the fan module is plugged into the installed Rack PDU.
- The plug to the utility power for the Rack PDU serves as the power disconnect.
- Ensure proper grounding is supplied through utility power cord, or supply alternate grounding to the rack.
- Never use extension cords to connect power to the Rack PDU.

Failure to follow these instructions will result in death or serious injury.

WARNING

TIP/HEAVY EQUIPMENT HAZARD

- At least two people are required to move the rack.
- On 32U and 38U racks: For extra stability, load at least 158 kg (350 lb) into the bottom of the rack before moving the rack on its casters.
- When moving the rack on its casters, ensure the path of the rack is free of obstacles and debris.
- When moving the rack on its casters, make sure the leveling feet are in the fully raised position and push the rack from the front or rear. Never push the rack from the sides.

Failure to follow these instructions can result in death, serious injury or equipment damage.

CAUTION

WEIGHT AND LEVERAGE HAZARD

- The leveling feet must be lowered before installing your components.
- Install the heaviest components toward the bottom of the rack to prevent the rack from becoming top-heavy.
- Doors and side panels are heavy. Removal or installation requires at least two people.
- Fan modules are heavy. Two people are recommended when removing the fan modules from the rack.

Failure to follow these instructions can result in injury or equipment damage.

NOTICE

EQUIPMENT DAMAGE HAZARD

- To ensure adequate air movement, place the rear of the rack no closer than 200 mm (8 in) to the wall.
- Caster loads: The rack can be moved on its casters (the Dynamic Load) with up to 750 kg (1650 lb) of equipment installed. Once in place, lower the leveling feet. With the leveling feet lowered (the Static Load), the 32U and 38U static racks can be loaded with up to 1500 kg (3300 lb). The 12U and 17U static racks can be loaded with up to 840 kg (1848 lb).
- Use only the supplied power cord to power the fan module.

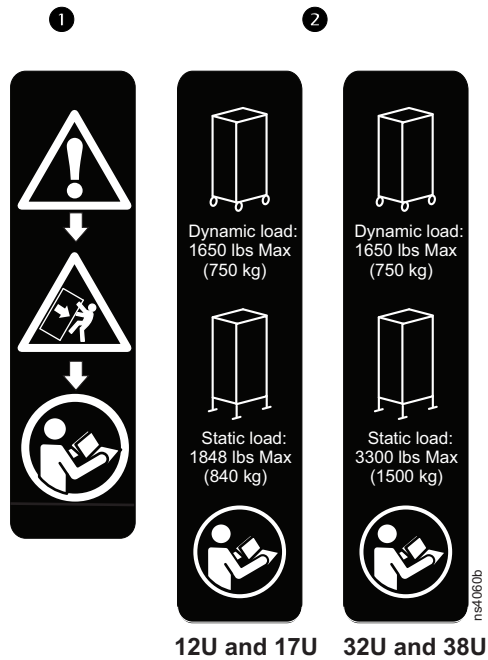
Failure to follow these instructions can result in equipment damage.

Labels

Safety and informational labels are affixed to the rack. Read and follow the instructions on the labels.

Tip Hazard and Weight limit labels are attached to the frame of the rack.

1. Observe Tip Hazards. Be sure to read all of the instructions for the rack.
2. Observe the load restrictions for the rack. The Dynamic load is limited to 750 kg (1650 lb). This is the maximum load for moving the rack on its casters. The Static load is limited to 840 kg (1848 lb) for the 12U and 17U racks. The Static load for the 32U and 38U racks is limited to 1500 kg (3300 lb). This is the maximum load for the rack while resting on its leveling feet. Read the manual.

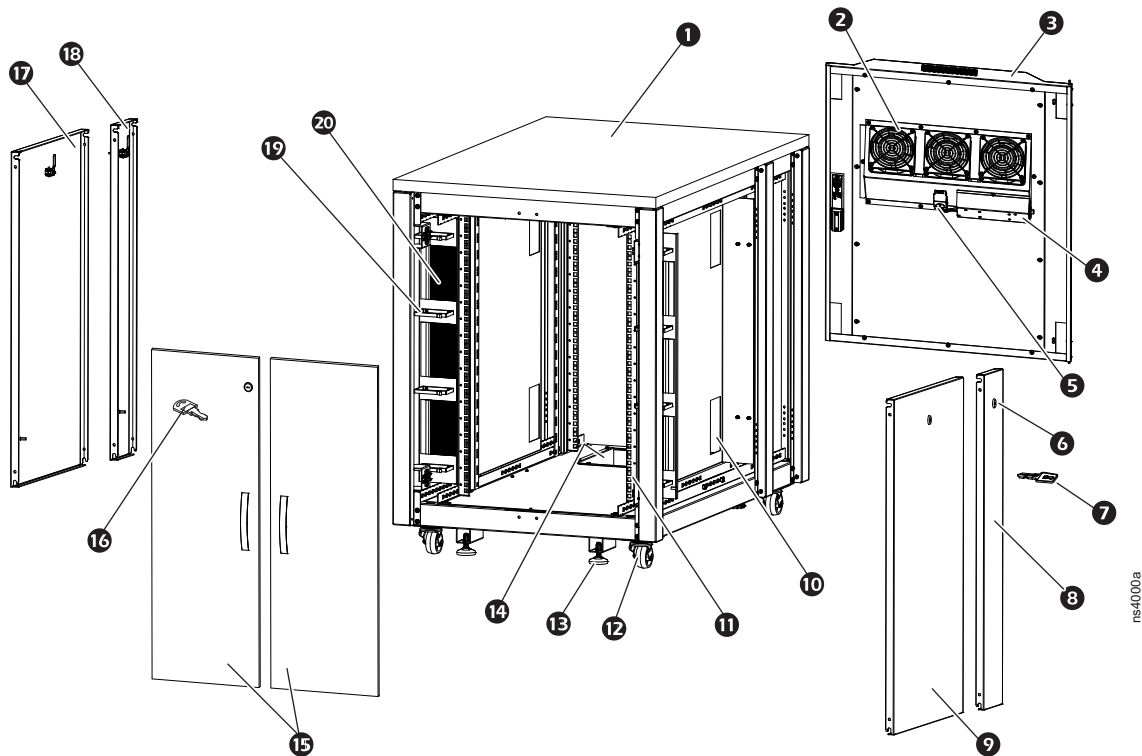


Inventory



Upon receipt of your NetShelter Soundproof Rack, inspect for damage and notify the shipping carrier and APC at apc.com/support immediately if any damage is found.

Component Identification



Item	Description	Item	Description	Item	Description
1	Wood roof panel	7	Side panel key (in hardware bag)	14	Cable access passage
2	Fan module	8	Right rear side panel	15	Front doors
3	Rear door	9	Right front side panel	16	Door Key (in hardware bag)
4	Fan DC power module	10	Airflow and cable access port	17	Left front side panel
5	Fan thermostat	11	Vertical 0U accessory channel	18	Left rear side panel
6	Side panel lock	12	Caster	19	Cable manager
		13	Leveling foot	20	Brush strips

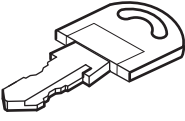



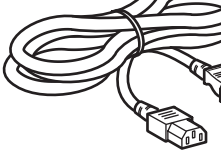
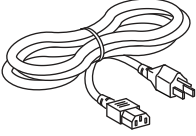
Not shown: 1. Rack PDUs (see “Rack PDU” on page 15 for more information)

- AR4012A - Miniblock 4747
- AR4017A, AR4032A, and AR4038LA - AP9562
- AR4017IA, AR4032IA, and AR4038LIA - EPDU1016B

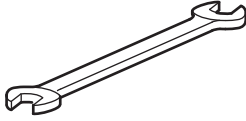
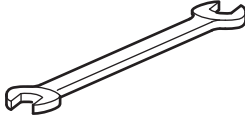
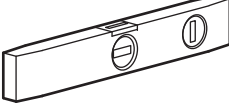
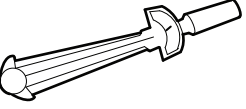
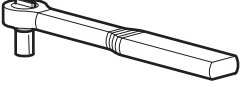
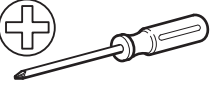
2. Hardware bag

The hardware bag is located inside the rack. The rear (fan) door is unlocked when the rack is shipped. Contents of the hardware bag are described on the following page.

Hardware Bag Contents

					
Front door key	Side panel and rear door keys (2)	M6 Phillips head screws (20)	M6 Cage nuts (20)	Fan power cord AR4012A, AR4017A, AR4032A, AR4038LA	Fan power cord AR4017IA, AR4032IA, AR4038LIA

Tools Required (not provided)

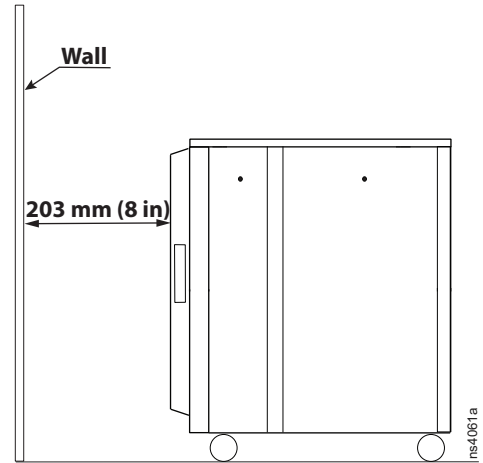
		
19-mm, open-ended wrench	13-mm, open-ended wrench	Level
		
Torque wrench	Socket wrench and 13mm socket	Phillips head screwdriver

Installation

Location Requirements

When planning the location for your NetShelter Soundproof Rack, make sure you have enough room to leave at least 203 mm (8 in) of space between the back of the rack and the wall so that proper ventilation can occur.

The final location for your rack should include sufficient space to perform everyday tasks and occasional maintenance.



Move the Rack

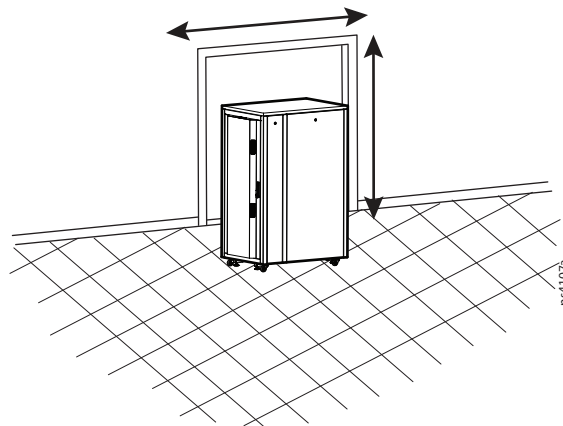
WARNING

TIP/HEAVY EQUIPMENT HAZARD

- At least two people are required to move the 32U and 38U racks.
- For greater stability, when moving 32U and 38U racks on their casters, load at least 159 kg (350 lb) in the bottom of the rack before moving the rack on its casters.
- Ensure the path of the rack is free of obstacles and debris.
- When moving the rack on its casters, make sure the leveling feet are in the fully raised position and push the rack from the front or rear. Never push the rack from the sides.
- Do not move a loaded rack on its casters if the weight exceeds the Maximum Dynamic Load of 750 kg (1650 lb).
- Do not overload the rack. Observe the Maximum Static Weight labels on your rack.

Failure to follow these instructions can result in death, serious injury or equipment damage.

Note the dimensions of any doorways or hallways in your path to reach the final location for your rack. Ensure you have enough space to move the rack through doorways or other obstacles.

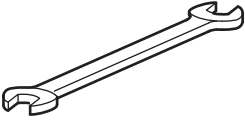
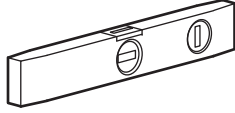


Level the Rack

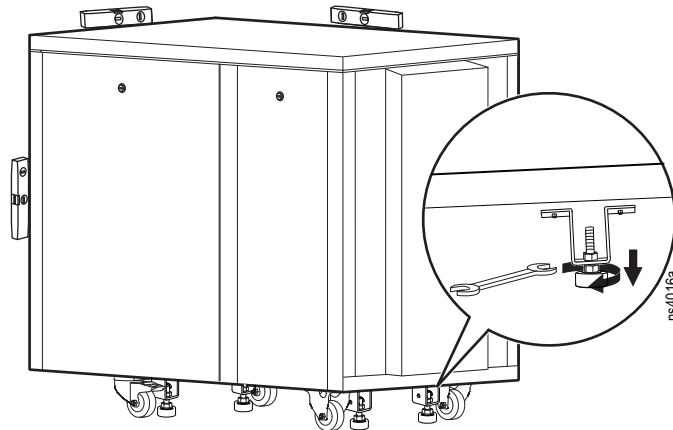
NOTICE

Leveling feet provide a stable base if the floor is uneven but, cannot compensate for a badly sloped surface.

Tools Required (not provided)

	
19-mm, open-ended wrench	Level

When the rack is in its final location, lower the leveling feet. Use a 19-mm, open-ended wrench (not provided) to lower the leveling feet. Use a level (not provided) to ensure the rack is level and plumb while lowering the leveling feet.



Ground the Rack

The NetShelter Soundproof Rack does not include a common grounding point. A common ground using a discrete bonding jumper must be connected directly to the rack. Follow all local and national codes.



DANGER

HAZARD OF ELECTRIC SHOCK, EXPLOSION, OR ARC FLASH

Ensure proper grounding is supplied through the utility power cord, or supply alternate grounding to the rack.

Failure to follow these instructions will result in death or serious injury.

Configuration

Before installing the rack, plan the location and space needed to install your equipment.

Front Doors

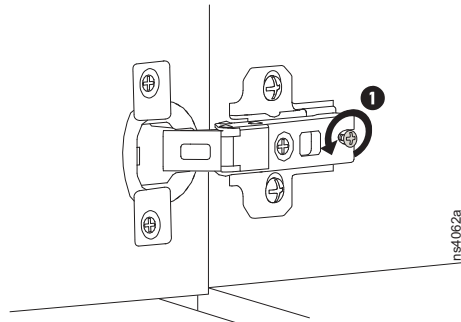
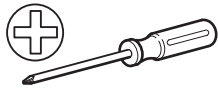
The doors may be opened or removed to access the interior. Removing a door or side panel can make it easier to install your equipment and route cables.

 CAUTION
WEIGHT AND LEVERAGE HAZARD
<ul style="list-style-type: none">• The doors are heavy. Two people are recommended when removing the doors from the rack.
Failure to follow these instructions can result in injury or equipment damage.

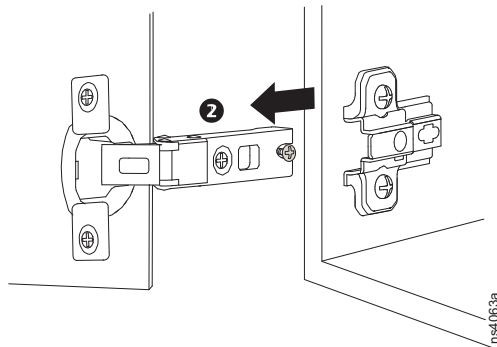
Hinges

Detach the hinges: The hinges on the doors can be detached in order to remove the doors. While at least one person is holding the door:

1. Loosen the retaining screw from the latch using a Phillips head screwdriver.



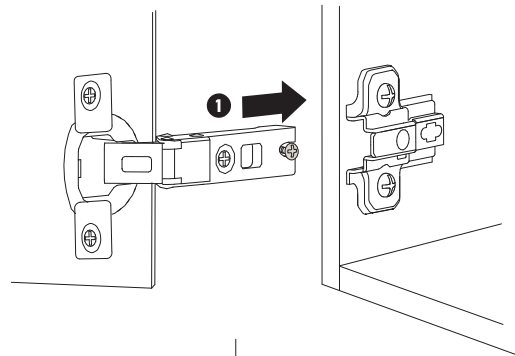
2. Lift the hinge arm off the mounting plate and slide the latch and door away from the mounting plate.



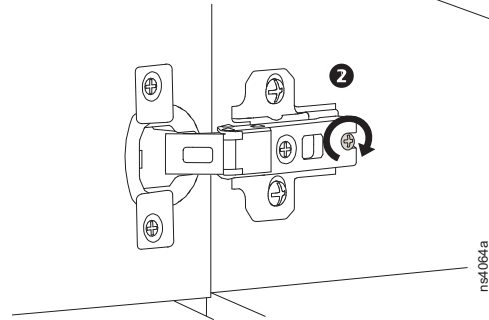
When all hinges have been detached from their mountings, the door can be removed.

To install the front doors you must attach the hinges. At least one person will be needed to hold the door in position while another person secures the hinges on the door to the mounting plates on the rack.

1. To attach the hinges, slide the hinge on the door into the mounting plate attached to the inside of the rack.



2. Tighten the retaining screw to secure the hinge to the mounting plate.



nsf064a

Rear Door

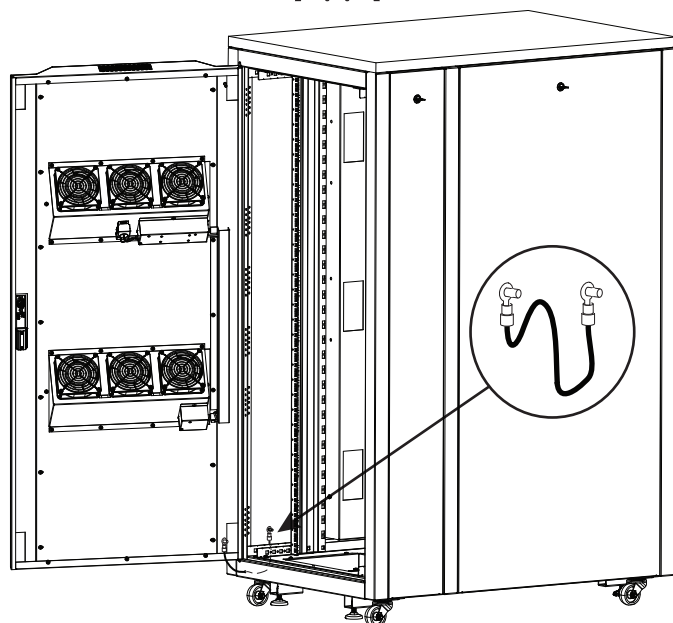
CAUTION

WEIGHT AND LEVERAGE HAZARD

The rear door is heavy. Removal and installation of the rear door requires at least two people.

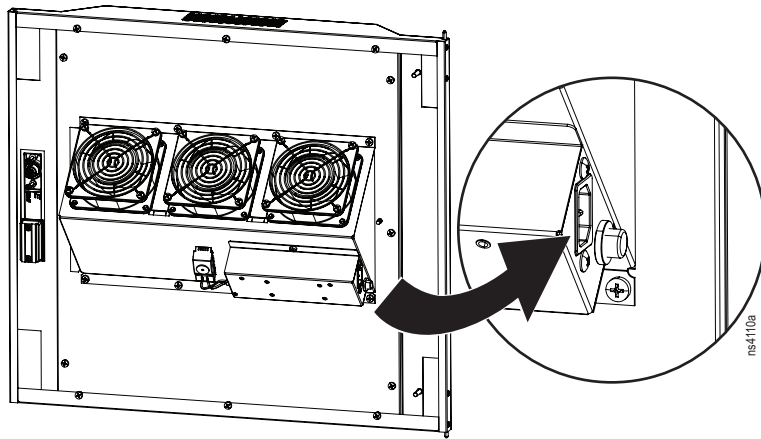
Failure to follow these instructions can result in injury or equipment damage.

1. Open the rear door and disconnect the ground cable.

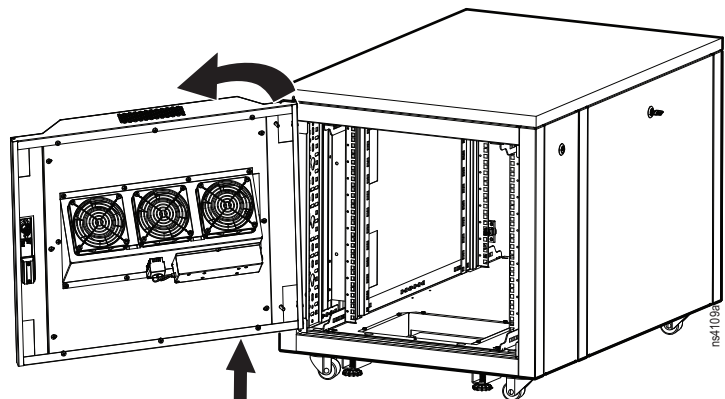
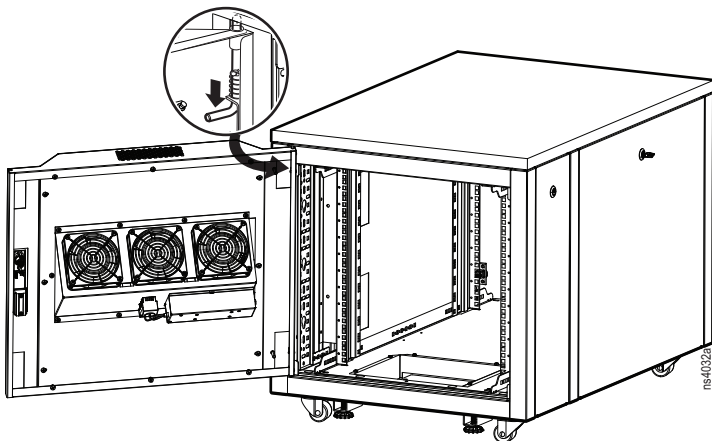


nsf037a

2. Disconnect the fan power cable from the DC power supply module.



3. The rear door has a spring-loaded pin securing the top of the door to the rack frame. The bottom of the door has a retaining pin which secures the bottom of the door to the rack frame. Pull down on the spring-loaded pin and tip the top of the door away from the rack. Lift the door up so the retaining pin can clear the rack frame.



Reverse the process to install the rear door.

Side Panels

Rear side panels can be removed for easier access during equipment installation. The larger forward side panels are accessed to allow for cable routing through the air flow chamber. The rear side panels allow access to the rack interior.

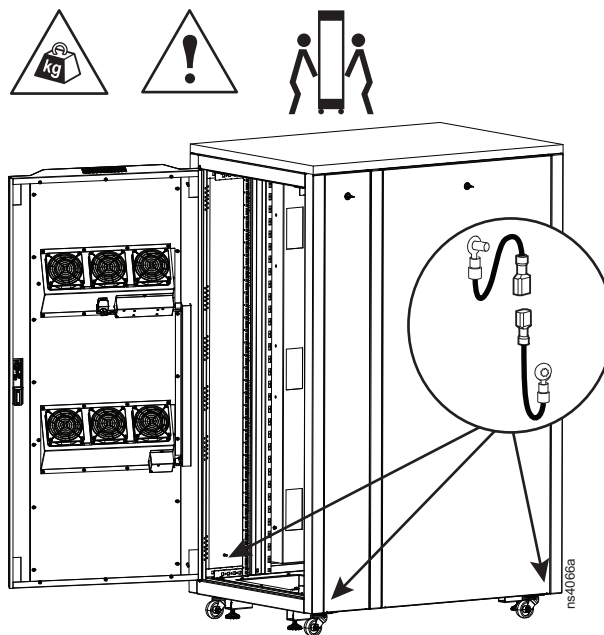
CAUTION

WEIGHT AND LEVERAGE HAZARD

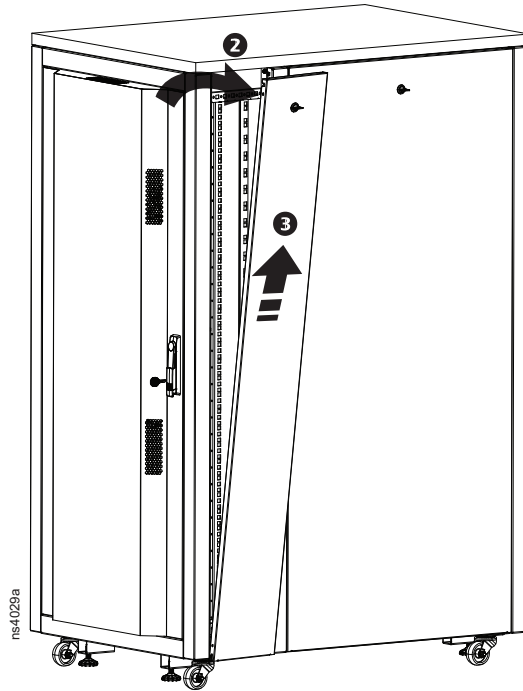
The side panels are heavy. At least two people are recommended when removing the side panels from the rack.

Failure to follow these instructions can result in injury or equipment damage.

1. Disconnect the ground wire from the side panel you want to remove. There is a ground wire on each side panel.



2. Unlock the side panel and tilt the panel out.
3. Lift the panel up and out of the channel in the rack frame.



Reverse the procedure to install the side panel.

Rack PDU

⚠ ⚠ DANGER

HAZARD OF ELECTRIC SHOCK, EXPLOSION, OR ARC FLASH

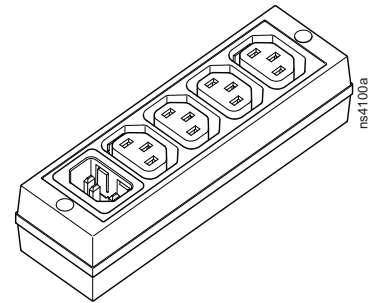
- Follow all local and national codes when installing the Rack PDU.
- Connect the Rack PDU to the UPS, if installed, or to a single-outlet dedicated circuit.
- Utility power for the Rack PDU must be close to the rack and readily accessible.
- The power cord for the fan module is plugged into the installed Rack PDU.
- The plug to the utility power for the Rack PDU serves as the power disconnect.
- Ensure proper grounding is supplied through utility power cord, or supply alternate grounding to the rack.
- Never use extension cords to connect power to the Rack PDU.

Failure to follow these instructions will result in death or serious injury.

Your NetShelter Soundproof Rack includes one of the following Rack Power Distribution Units depending upon the model.

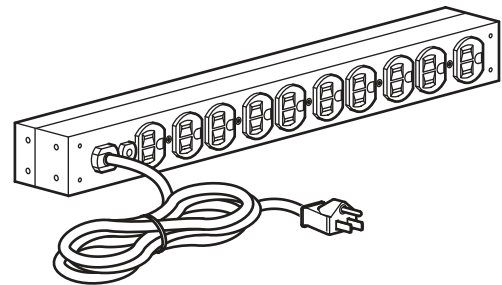
AR4012A

Miniblock 4747: Basic Rack PDU, four (4) C13 outlets, one C14 Input connection. The power cord is not provided.



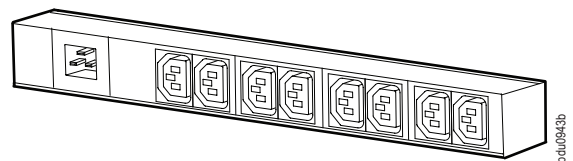
AR4017A, AR4032A, and AR4038LA

AP9562: 1U Basic Rack PDU, 120V, one (1) 15A circuit breaker, ten (10) NEMA 5-15 outlets, hardwired 3.66 m (12 ft) power cord with NEMA 5-15 plug.



AR4017IA, AR4032IA, and AR4038LIA

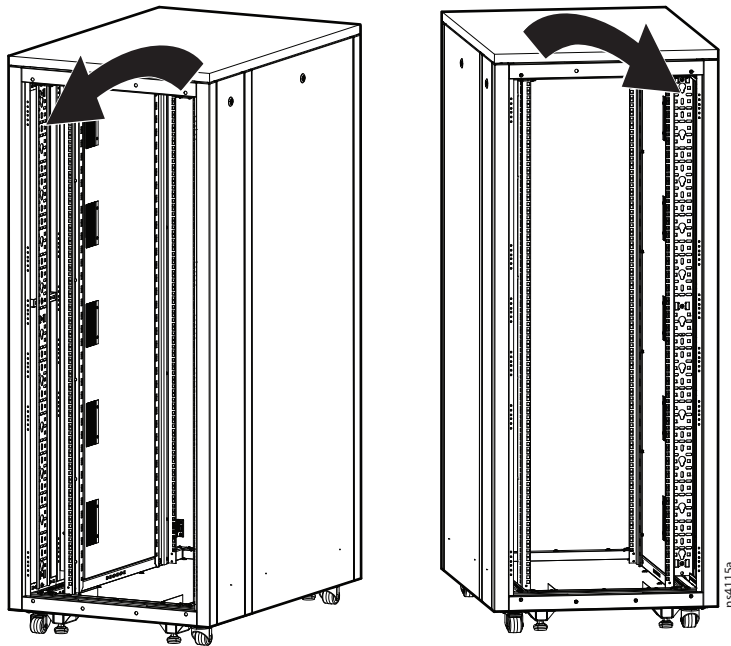
EPDU1016B: 1U Basic Easy PDU, 16A, 230V, Eight (8) C13 outlets, one (1) C20 input connection. The power cord is not provided.



Vertical 0U Accessory Channels

The vertical 0U accessory channels provide toolless mounting capabilities for Rack PDUs, cable containment brackets, and tie-off locations for cables.

There are two vertical 0U accessory channels located at the rear of the rack. One accessory channel is located on the hinge side of the rack facing the interior of the rack. The second accessory channel is located on the other side of the rack and faces the rear door. The accessory channels are secured using three (3) Phillips head screws and can be removed, if desired.



Vertical Mounting Flanges

Vertical mounting flanges come factory installed on the rack in the proper position for use with rack-mountable equipment having a depth of 736mm (29 in). The front and rear mounting flanges are adjustable to accommodate equipment with other depths.

The **Minimum** adjustment is 691mm (27.20 in). The **Maximum** adjustment is 826mm (32.51 in) in 22.5mm (7/8 in) increments.

Adjust the vertical mounting flanges on the horizontal mounting rails

CAUTION

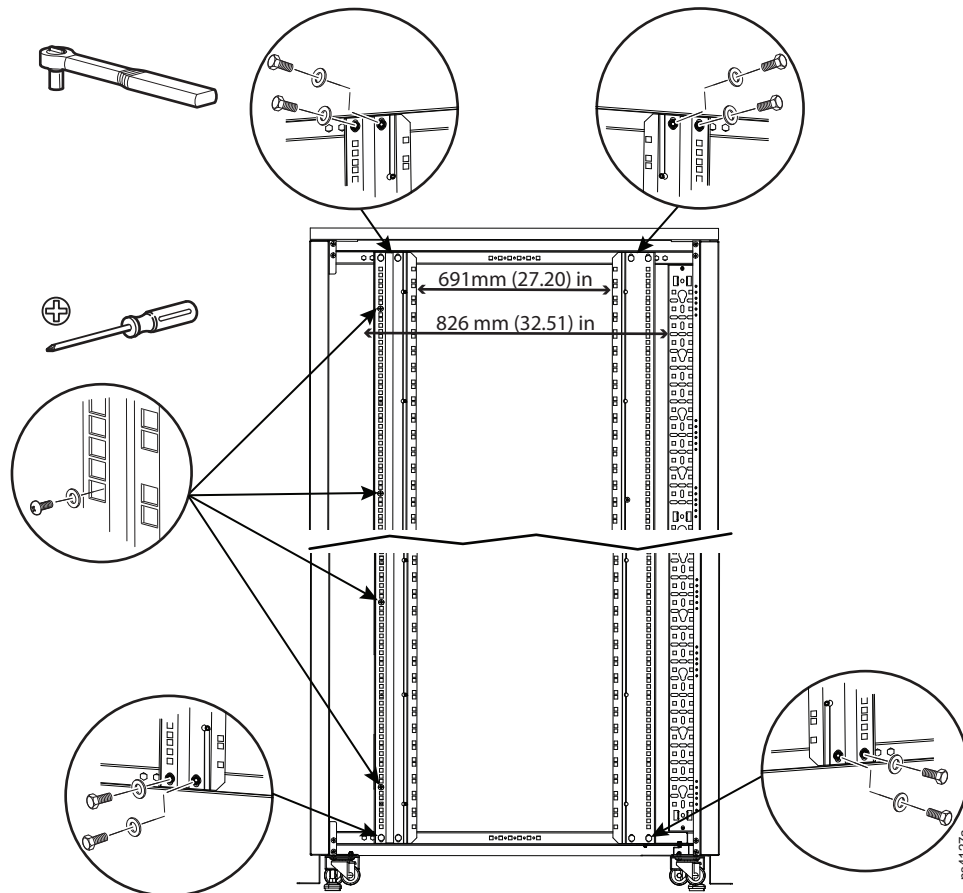
EQUIPMENT DAMAGE HAZARD

Any equipment installed to the vertical mounting flanges must be removed before attempting to move the vertical mounting flanges.

Failure to follow these instructions can result in injury or equipment damage.

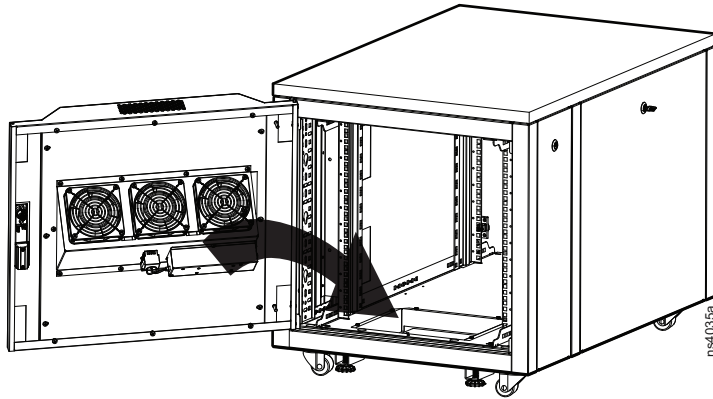
1. Phillips head screws and washers secure the front vertical mounting flange to the side of the rack. Use a Phillips head screwdriver (not provided) to remove two (2) Phillips head screws and washers on 12U and 17U racks and four (4) Phillips head screws and washers on 32U and 38U racks.
2. The front and rear vertical mounting flanges are secured to the horizontal mounting rails at the top and bottom by bolts and washers. Use a socket wrench and 13mm socket (not provided) to remove the bolts.
3. Reposition the vertical mounting flange to your chosen position and install the hardware.

32U rack shown below:

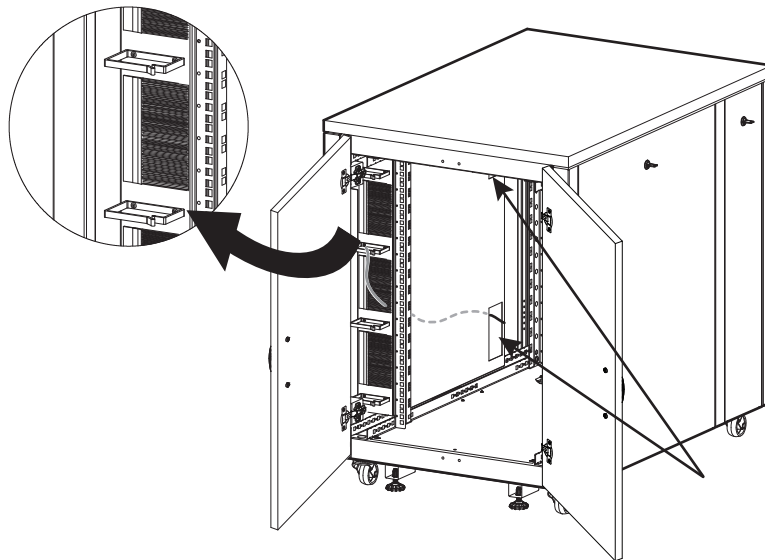


Cable Management

The rack has a cable access opening 350mm (13.78 in) x 250mm (9.84 in) on the rear of the rack floor. The cable opening has a cover made from the insulating liner material to help secure the cables while preventing the entry of dust and debris.



Cable managers are attached to the frame of the brush strips at the front of the rack. Cables can be routed through the air flow chambers behind the brush strips. Cables can exit the air flow chambers through the openings at the rear (interior) of the rack.



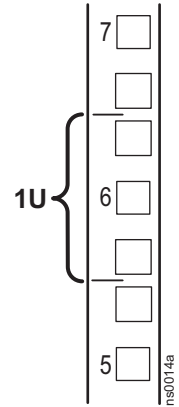
Equipment Installation

NOTE: NetShelter Soundproof Racks are intended for use with Listed equipment. If you install un-Listed equipment, you should evaluate the safety of your configuration.

Cage Nuts

Proper location in the rack for cage nuts:

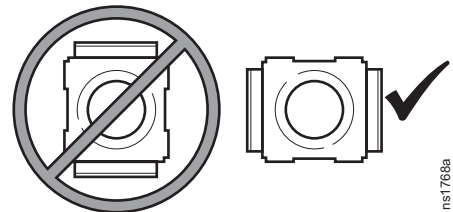
1. Locate the top and bottom U-space on the vertical mounting rails. Every third hole on the mounting rails is numbered to indicate the middle of a U-Space
2. Install the cage nuts on the interior of the vertical mounting rail; then install the shelf or equipment.



!	CAUTION
<p>FALLING EQUIPMENT HAZARD Do NOT install cage nuts vertically with the tabs engaging the top and bottom of the square hole. Failure to follow these instructions can result in injury or equipment damage.</p>	

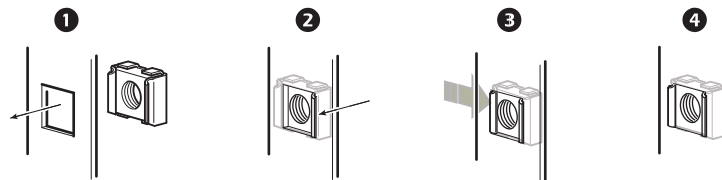
Install cage nuts horizontally, with the tabs engaging the sides of the square hole.

Install the cage nuts on the interior of the vertical mounting rail.



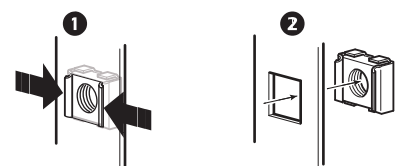
To install a cage nut:

1. The cage nut is installed from the inside of the mounting rail.
2. Hook one tab of the cage nut assembly through the square hole.
3. Pull the cage nut toward the side of the rail that the tab is already through to squeeze it and push the other tab through the hole.
4. The cage nut will snap into position.



To remove a cage nut:

1. Remove any attached screw.
2. Squeeze the tabs on the sides of the cage nut and push to release it from the square hole.



Equipment Distribution in the Rack

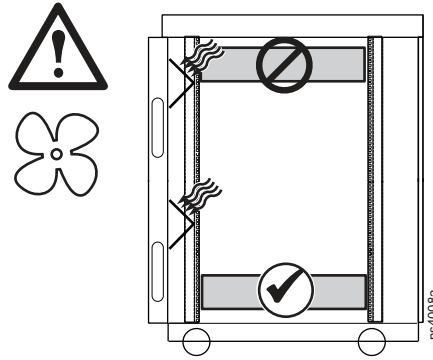
Follow the guidelines below for proper installation and operation of your equipment in the NetShelter Soundproof Rack.

Avoid clustering hot-running equipment such as servers, dense redundant arrays of independent disks (RAID), and large voice-over-internet-protocol (VOIP) switches in one part of the rack.

Instead, distribute the thermal load evenly up and down the rack such that each fan module supports an equal amount of the thermal load.

Each fan module protrudes into the rack. This does not create an issue for the installation of most equipment.

To allow for ample cable space to the rear of the rack, deep servers should be installed in the rack space above and below the fans.



Internal Dimensions

The fan module creates a triangular protrusion which reduces the internal depth of the rack at that point.

The depth of your equipment should be considered to ensure room for cables and for adequate air circulation.

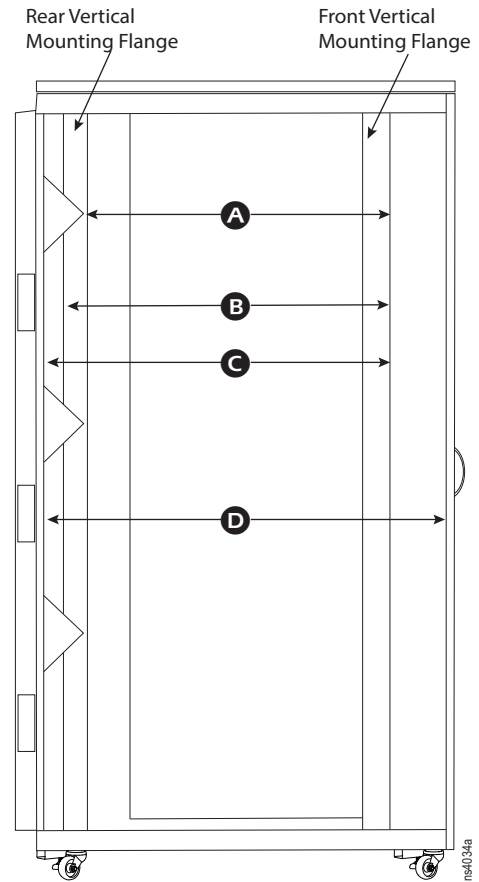
Deep servers should be installed above or below the fan modules.

A - 770mm (30.31 in)

B - 789.5mm (29.29)

C - 893mm (35.15)

D - 1042mm (41.0 in)



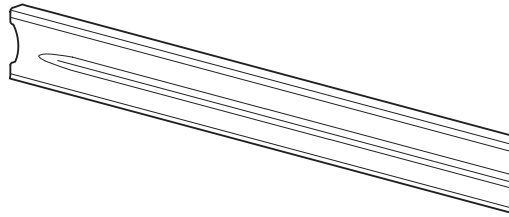
Accessories

Accessories for your NetShelter Soundproof rack can be ordered on the APC website, www.apc.com.

Blanking Panels

Blanking panels are intended to assist in the management of airflow within the rack. Use the provided blanking panels to close up any large open spaces in the rack. The NetShelter Soundproof rack works best when air can travel through the equipment vents and above and below any equipment that generates thermal energy.

Plastic Airflow Management Blanking Panels snap into place without the use of tools.



Maintenance

Fan Modules

DANGER

HAZARD OF ELECTRIC SHOCK, EXPLOSION, OR ARC FLASH

The power cable for the fan module is plugged into the installed Rack PDU. Disconnect the power cable from the Rack PDU and from the fan module before attempting to remove or perform any service on the fan module.

Failure to follow these instructions will result in death or serious injury.

CAUTION

PINCH HAZARD

Power cables must be secured to avoid pinching when the door is closed.

Failure to follow these instructions can result in injury or equipment damage.

CAUTION

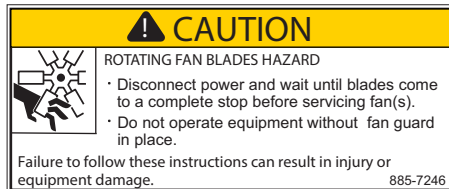
WEIGHT AND LEVERAGE HAZARD

At least two people are recommended when removing the fan modules from the rack.

Failure to follow these instructions can result in injury or equipment damage.

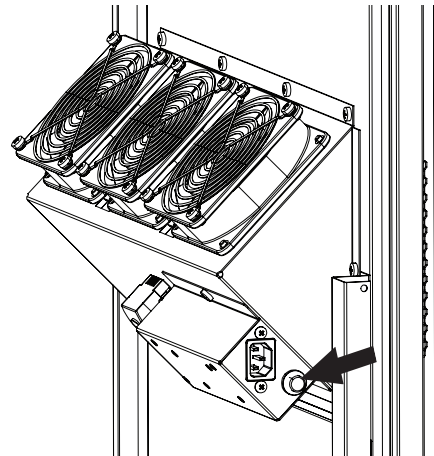
Safety Labels

Observe the Safety Labels on the fan modules.



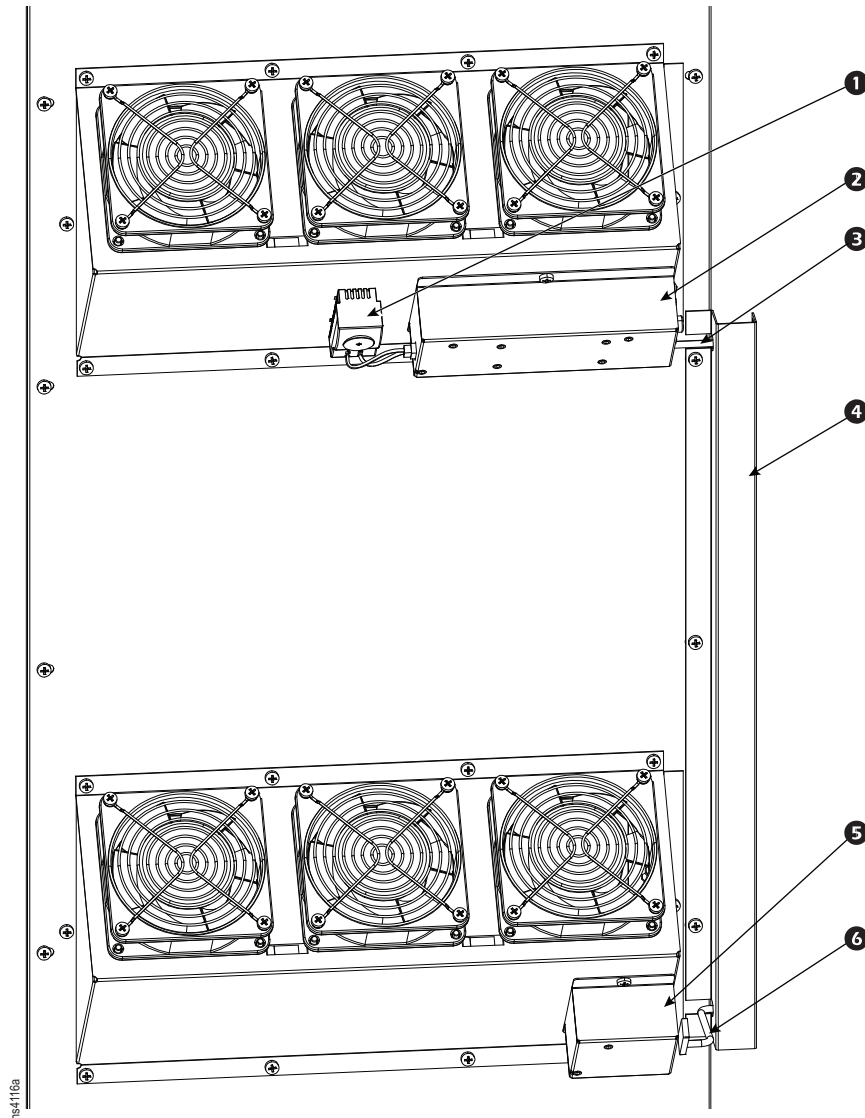
Reset button

The DC power supply for the fan module contains a reset button. Erratic mains power in some areas may cause the fuse in the DC power supply to trip. Should your power issues cause the fans to stop, press the reset button to restart the fans.



Fan Module Configuration

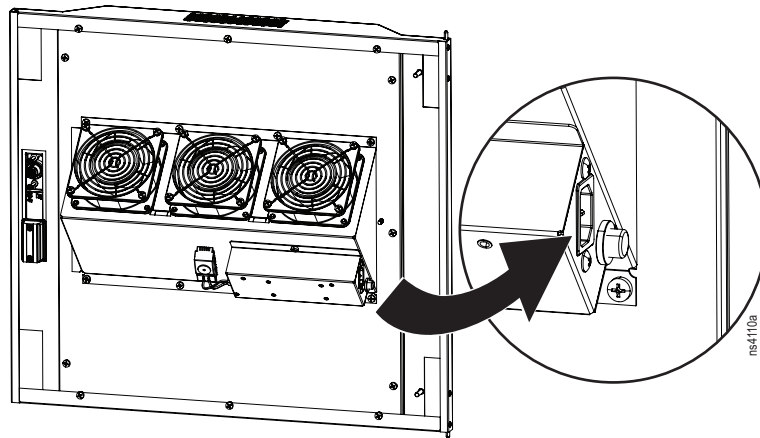
32U and 38U Racks include multiple fan modules: There are two (2) fan modules on the rear door of the 32U rack and three (3) fan modules on the rear door of the 38U racks. Depending upon your model's configuration, there may be only one power supply for all the fan modules. The additional fan modules may have a connector box to bring power from the power supply. Fan modules on the rear door of a 32U rack are shown below.



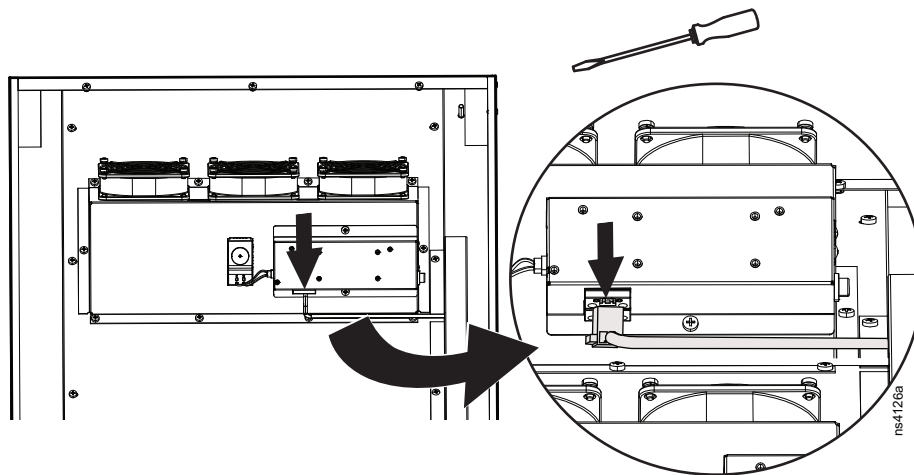
❶	Thermostat
❷	Power supply
❸	Power cable from DC power supply
❹	Cable cover
❺	Connector box for power supply cable
❻	Power supply cable and connector to Connector box

Remove the Fan Module

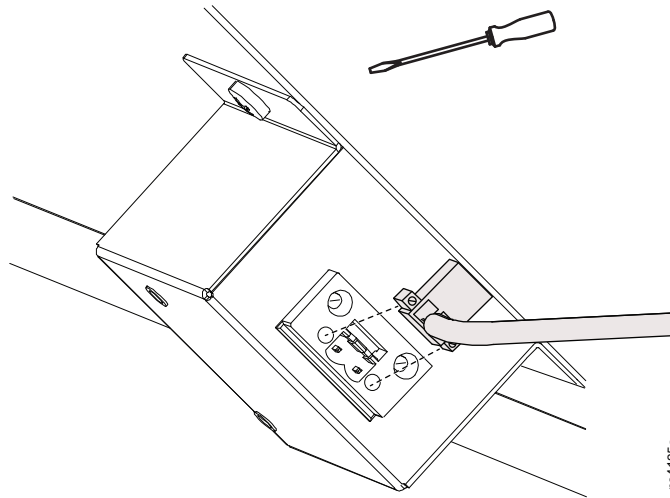
1. Open the rear door to access the fan modules.
2. Unplug the power cable from the Rack PDU and then disconnect the power cable from the fan module power supply.



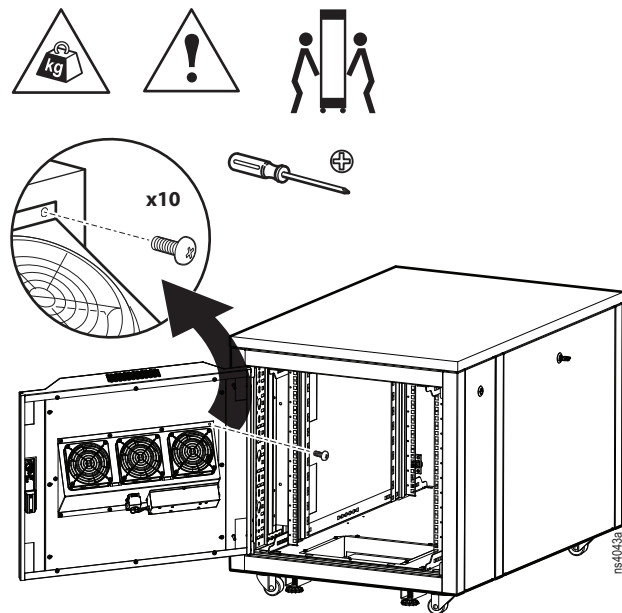
3. If your NetShelter Soundproof Rack includes more than one fan module, and the additional fan modules include connector boxes, you will need to disconnect the cable connecting the fan module power supply to the connector boxes. On the underside of the power supply, loosen the two (2) screws on the cable connection with a small flat tip screwdriver (not provided) and pull the connector from the socket on the power supply.



4. If you are removing a fan module with a connector box: Disconnect the cable to the connector box on the fan module. You will need to loosen the two (2) screws on the cable connector with a small flat tip screwdriver (not provided) and pull the connector from the socket on the connection box.



4. Remove the ten (10) Phillips head screws securing the fan module to the door.



Reverse the procedure to install the fan module.

Fan Power Cord



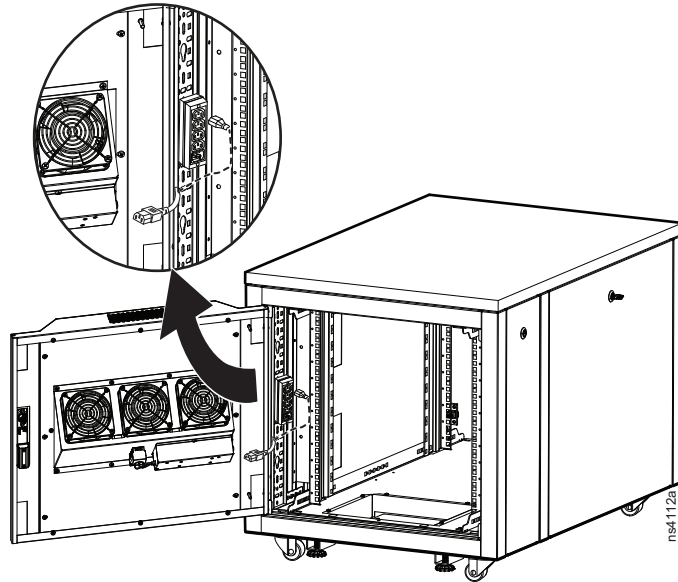
CAUTION

PINCH HAZARD

Power cords must be secured to avoid pinching when the door is closed.

Failure to follow these instructions can result in injury or equipment damage.

Disconnect the power cord from the Rack PDU before disconnecting the cord from the fan power supply.



Thermostat

At some point, the thermostat may need to be replaced. Use care when performing this task. Replacement thermostats are available on the APC website. Go to www.apc.com/support.

⚠ ⚠ DANGER

HAZARD OF ELECTRIC SHOCK, EXPLOSION, OR ARC FLASH

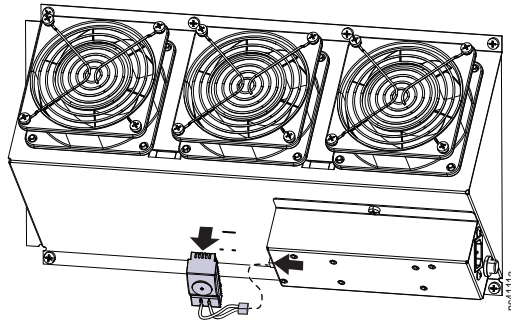
Disconnect the power cord from the Rack PDU and from the fan module power supply before attempting to replace the thermostat.

Failure to follow these instructions will result in death or serious injury.

The thermostat is located on the fan module next to the power supply.

If the thermostat must be replaced:

1. Disconnect the power cord from the Rack PDU and the fan power supply.
2. Pull the connector wire from the power supply and unplug the thermostat from the fan module.



3. Reverse the steps to install a replacement thermostat.

Fan Specifications

Electrical	
Input Voltage	110-240V
Input Frequency	50/60Hz
Input Power	160W
Input Connections	(1) C14
Output Current (Maximum)	3.5A
Environmental	
Operating Temperature	-25 to 60°C (-13 to 140°F)
Ingress Protection Rating	IP54
Compliance	
Safety Verification	UL

Specifications

SKU	AR4012A	AR4017A	AR4017IA
Electrical			
Normal Input Voltage	120V	120V	230V
Input Frequency	50/60 Hz		
Fan Inlet Connection	IEC-320-C14		
Fan Power Supply DC Output Voltage	12V		
Fan Power Consumption	14 Watts		
Static Load Rating	840 kg (1848 lb)		
Dynamic Load Rating	750 kg (1650 lb)		
Weight - kg (lb)	114 (251.32)	144 (317.46)	
Shipping Weight - kg (lb)	158 (348.33)	185 (414.46)	
Dimensions, H x W x D mm (in)	785 x 750 x 1130 (30.9 x 29.5 x 44.5)	1002 x 750 x 1130 (39.5 x 29.52 x 44.48))	
Shipping Dimensions, H x W x D mm (in)	1025 x 850 x 1250 (40.35 x 33.16 x 49.21)	1245 x 850 x 1250 (49.01 x 33.16 x 49.21)	
Environmental			
Maximum Recommended Thermal Load	1.2 kW (4,100 BTU/hr) 1 Fan Module		
Noise Reduction	18.5 dB(A) @ 1 m away		
Temperature Operating/Storage	-5 to 45 C° (-23 to 113 F°)		
Humidity Operating/Storage	5 - 95% RH, non-condensing		
Maximum Elevation (above MSL) Operating/Storage, m (ft)	0 - 3000 m (0 - 10,000 ft) / 0 - 15000 m (0 - 50,000 ft)		
Compliance			
EMC Verification	UL, cUL, CE		
Safety Verification	UL, CE		
Environmental	RoHS and Reach		
18.5 dB equates to perceived drop in noise of 98.5%. The rack generates 48.5 dB of noise during normal operation. This is below standard office ambient noise levels of approximately 50 dB.			

SKU	AR4032A	AR4032IA	AR4038LA	AR4038LIA
Electrical				
Normal Input Voltage	120V	230V	120V	230
Input Frequency	50/60 Hz			
Fan Inlet Connection	IEC-320-C14			
Fan Power Consumption	28 Watts		42 Watts	
Physical				
Available U-Space	32U		38U	
Static Load Rating	1500 kg (3300 lb)			
Dynamic Load Rating	750 kg (1650 lb)			
Weight - kg (lb)	216 (476.19)		259 (570.9)	
Shipping Weight - kg (lb)	260 (573.2)		303 (668)	
Dimensions, H x W x D mm (in)	1666 x 750 x 1130 (65.5 x 29.5 x 44.5)		1937 x 750 x 1130 (76.26 x 29.5 x 44.5)	
Shipping Dimensions, H x W x D mm (in)	1787 x 850 x 1250 (70.35 x 33.16 x 49.21)		2180 x 850 x 1250 (85.82 x 33.16 x 49.21)	
Environmental				
Maximum Recommended Thermal Load	2.4 kW (8,200 BTU/hr) 2 Fan Module		3.6 kW (12,300 BTU/hr) 3 Fan Modules	
Noise Reduction	18.5 dB(A) @ 1 m away			
Temperature Operating/Storage	-5 to 45 C° (-23 to 113 F°)			
Humidity Operating/Storage	5 - 95% RH, non-condensing			
Maximum Elevation (above MSL) Operating/Storage, m (ft)	0 - 3000 m (0 - 10,000 ft) / 0 - 15000 m (0 - 50,000 ft)			
Compliance				
EMC Verification	UL, cUL, CE			
Safety Verification	UL, CE			
Environmental	RoHS and Reach			
18.5 dB equates to perceived drop in noise of 98.5%. The rack generates 48.5 dB of noise during normal operation. This is below standard office ambient noise levels of approximately 50 dB.				

Two Year Factory Warranty

The limited warranty provided by Schneider Electric in this Statement of Limited Factory Warranty applies only to products you purchase for your commercial or industrial use in the ordinary course of your business.

Terms of warranty

Schneider Electric warrants its products to be free from defects in materials and workmanship for a period of two years from the date of purchase. The obligation of Schneider Electric under this warranty is limited to repairing or replacing, at its sole discretion, any such defective products. This warranty does not apply to equipment that has been damaged by accident, negligence, or misapplication or has been altered or modified in any way. Repair or replacement of a defective product or part thereof does not extend the original warranty period. Any parts furnished under this warranty may be new or factory- remanufactured.

Non-transferable warranty

This warranty extends only to the original purchaser who must have properly registered the product. The product may be registered at the Schneider Electric Web site, www.se.com.

Exclusions

Schneider Electric shall not be liable under the warranty if its testing and examination disclose that the alleged defect in the product does not exist or was caused by end user's or any third person's misuse, negligence, improper installation or testing. Further, Schneider Electric shall not be liable under the warranty for unauthorized attempts to repair or modify wrong or inadequate electrical voltage or connection, inappropriate on-site operation conditions, corrosive atmosphere, repair, installation, start-up by non-Schneider Electric designated personnel, a change in location or operating use, exposure to the elements, Acts of God, fire, theft, or installation contrary to Schneider Electric recommendations or specifications or in any event if the Schneider Electric serial number has been altered, defaced, or removed, or any other cause beyond the range of the intended use.

THERE ARE NO WARRANTIES, EXPRESS OR IMPLIED, BY OPERATION OF LAW OR OTHERWISE, OF PRODUCTS SOLD, SERVICED OR FURNISHED UNDER THIS AGREEMENT OR IN CONNECTION HERewith. SCHNEIDER ELECTRIC DISCLAIMS ALL IMPLIED WARRANTIES OF MERCHANTABILITY, SATISFACTION AND FITNESS FOR A PARTICULAR PURPOSE. SCHNEIDER ELECTRIC EXPRESS WARRANTIES WILL NOT BE ENLARGED, DIMINISHED, OR AFFECTED BY AND NO OBLIGATION OR LIABILITY WILL ARISE OUT OF, SCHNEIDER ELECTRIC RENDERING OF TECHNICAL OR OTHER ADVICE OR SERVICE IN CONNECTION WITH THE PRODUCTS. THE FOREGOING WARRANTIES AND REMEDIES ARE EXCLUSIVE AND IN LIEU OF ALL OTHER WARRANTIES AND REMEDIES. THE WARRANTIES SET FORTH ABOVE CONSTITUTE SCHNEIDER ELECTRIC'S SOLE LIABILITY AND PURCHASER'S EXCLUSIVE REMEDY FOR ANY BREACH OF SUCH WARRANTIES. SCHNEIDER ELECTRIC WARRANTIES EXTEND ONLY TO PURCHASER AND ARE NOT EXTENDED TO ANY THIRD PARTIES.

IN NO EVENT SHALL SCHNEIDER ELECTRIC, ITS OFFICERS, DIRECTORS, AFFILIATES OR EMPLOYEES BE LIABLE FOR ANY FORM OF INDIRECT, SPECIAL, CONSEQUENTIAL OR PUNITIVE DAMAGES, ARISING OUT OF THE USE, SERVICE OR INSTALLATION, OF THE PRODUCTS, WHETHER SUCH DAMAGES ARISE IN CONTRACT OR TORT, IRRESPECTIVE OF FAULT, NEGLIGENCE OR STRICT LIABILITY OR WHETHER SCHNEIDER ELECTRIC HAS BEEN ADVISED IN ADVANCE OF THE POSSIBLY OF SUCH DAMAGES. SPECIFICALLY, SCHNEIDER ELECTRIC IS NOT LIABLE FOR ANY COSTS, SUCH AS LOST PROFITS OR REVENUE, LOSS OF EQUIPMENT, LOSS OF USE OF EQUIPMENT, LOSS OF SOFTWARE, LOSS OF DATA, COSTS OF SUBSTITUENTS, CLAIMS BY THIRD PARTIES, OR OTHERWISE.

NO SALESMAN, EMPLOYEE OR AGENT OF SCHNEIDER ELECTRIC IS AUTHORIZED TO ADD TO OR VARY THE TERMS OF THIS WARRANTY. WARRANTY TERMS MAY BE MODIFIED, IF AT ALL, ONLY IN WRITING SIGNED BY AN SCHNEIDER ELECTRIC OFFICER AND LEGAL DEPARTMENT.

Warranty claims

Customers with warranty claims issues may access the Schneider Electric customer support network through the Support page of the Schneider Electric Web site, www.se.com/support. Select your country from the country selection pull-down menu at the top of the Web page. Select the Support tab to obtain contact information for customer support in your region.

Radio Frequency Interference



USA—FCC

This equipment has been tested and found to comply with the limits for a Class A digital device, pursuant to part 15 of the FCC Rules. These limits are designed to provide reasonable protection against harmful interference when the equipment is operated in a commercial environment. This equipment generates, uses, and can radiate radio frequency energy and, if not installed and used in accordance with this user manual, may cause harmful interference to radio communications. Operation of this equipment in a residential area is likely to cause harmful interference. The user will bear sole responsibility for correcting such interference.

APC

70 Mechanic Street
Foxboro, MA 02035
USA

www.apc.com

As standards, specifications, and design change from time to time,
please ask for confirmation of the information given in this publication.

© 2023–2024 Schneider Electric. All rights reserved.

990-900008A-001