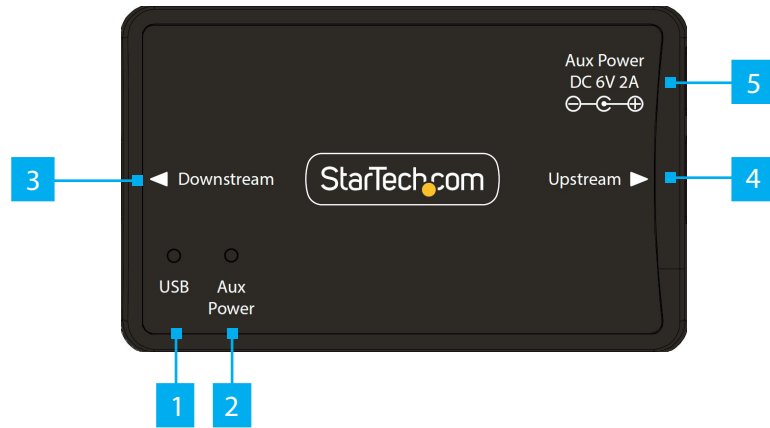


1-Port Industrial USB 2.0 Galvanic Isolator - Up to 6000V

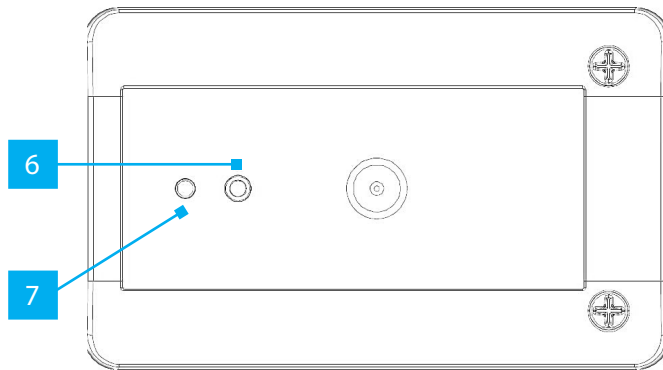
Product ID

U1-USB-ISOLATOR

Top View



Bottom View



*Product may vary from image

	Port/Connector	Function
1	USB LED	<ul style="list-style-type: none"> Solid Blue: Indicates there's a USB Device connected to the Isolated USB Device Port Note: The Host Computer must detect the connected USB Device before the LED turns on. Off: No USB Device connected on the Isolated USB Device Port
2	Aux Power LED	<ul style="list-style-type: none"> Solid Green: External power is being supplied Off: No external power is being supplied
3	Isolated USB Device Port (Downstream)	<ul style="list-style-type: none"> USB Type-A port. Provide up to 250mA output when not using the optional power adapter USB 2.0 compliant Supports 1.5Mbps and 12Mbps only
4	USB Host Port (Upstream)	<ul style="list-style-type: none"> USB Type-B port Connect to the Host Computer using the supplied USB-B to USB-A Cable
5	DC Power Port	<ul style="list-style-type: none"> (Optional) If the Isolated USB Device requires more than 250mA and less or equal than 500mA, an external Power Supply (not included) is required 6V DC 2A Power Adapter Recommended Type M barrel plug: Ø 5.5x2.1x9.5mm. Center tip positive
6	DIN Rail Mounting Point	<ul style="list-style-type: none"> Use to secure the included DIN Rail Mounting Kit
7	Guide Peg	<ul style="list-style-type: none"> Helps to install the DIN Rail Mounting Kit so it can be installed only in one way

Package Contents

- USB Isolator x 1
- 3ft (0.9m) USB-B to USB-A Cable x 1
- Adhesive Strip x 1
- DIN Rail Mounting Kit x 1
- Quick-Start Guide x 1

Requirements

For the latest manuals, product information, technical specifications, and declarations of conformance, please visit: www.StarTech.com/U1-USB-ISOLATOR

- Phillips head screwdriver
- Available USB-Type A port on the Host Computer
- (Optional) 6V DC Power Supply with Type M Barrel Plug

Installation

1. Connect the **USB-Type B** side of the **USB-B to USB-A Cable** to the **USB Host Port**. Connect the other end of the cable to an available **USB Type-A** port on the **Host Computer**.

Note: No drivers or additional software is needed for the USB 2.0 Galvanic Isolator.

2. Connect an **USB device** to the **Isolated USB Device Port**.

DIN Rail Mounting (optional)

1. Use the **Guide Peg** at the bottom of the **USB 2.0 Galvanic Isolator** to align the **DIN Rail Mounting Kit** into its correct position. Use a **Phillips Head Screwdriver** to install the self-tapping screw and secure the **DIN Rail Mounting Kit**. (Figure 1)

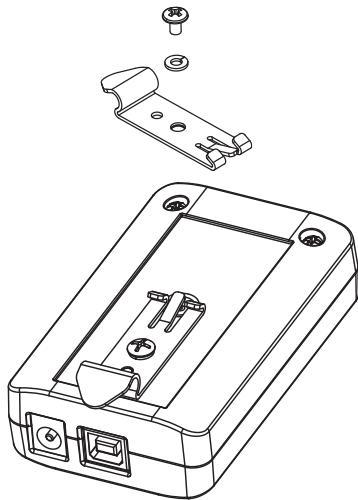


Figure 1

2. Mount the **USB 2.0 Galvanic Isolator** by inserting the **Mounting Plate** onto the **DIN Rail** at an angle, starting from the top then push against the **DIN Rail**. (Figure 2)

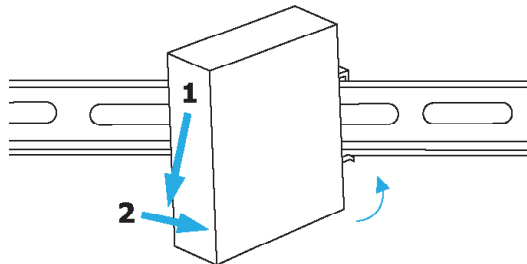


Figure 2

Surface Mounting (optional)

1. Remove one of the protective backings from the **Adhesive Strip**.
2. Attach the **Adhesive Strip** to the back of the **USB 2.0 Galvanic Isolator** by applying light pressure for a few seconds.
3. Remove the remaining protective backing from the **Adhesive Strip**.
4. Firmly attach the **USB 2.0 Galvanic Isolator** to a clean flat surface.

Regulatory Compliance

FCC Compliance Statement

This equipment has been tested and found to comply with the limits for a Class B digital device, pursuant to Part 15 of the FCC Rules. These limits are designed to provide reasonable protection against harmful interference in a residential installation. This equipment generates, uses, and can radiate radio frequency energy and, if not installed and used in accordance with the instructions, may cause harmful interference to radio communications. However, there is no guarantee that interference will not occur in a particular installation. If this equipment does cause harmful interference to radio or television reception, which can be determined by turning the equipment off and on, the user is encouraged to try to correct the interference by one or more of the following measures:

- Reorient or relocate the receiving antenna.
- Increase the separation between the equipment and receiver.
- Connect the equipment to an outlet on a different circuit than the receiver.
- Consult the dealer or an experienced radio/TV technician for help.

Any changes or modifications not expressly approved by the party responsible for compliance could void the user's authority to operate the device. If shielded interface cables are included with the product, or if additional components or accessories are designated for use with the installation, they must be used to ensure compliance with FCC regulations.

ISED Statement / Déclaration d'ISDE

CAN ICES-003(B) / NMB-003(B)

This Class B digital apparatus complies with Canadian ICES-003.

This device complies with ISED Canada licence-exempt RSS standard(s). Operation is subject to the following two conditions: (1) this device may not cause interference, and (2) this device must accept any interference, including interference that may cause undesired operation of the device.

Cet appareil numérique de la classe B est conforme à la norme NMB-003 du Canada.

Le présent appareil est conforme aux CNR d'ISDE Canada applicables aux appareils radio exempts de licence. L'exploitation est autorisée aux deux conditions suivantes : (1) l'appareil ne doit pas produire de brouillage, et (2) l'appareil doit accepter tout brouillage radioélectrique subi, même si le brouillage est susceptible d'en compromettre le fonctionnement.

Use of Trademarks, Registered Trademarks, and other Protected Names and Symbols

This manual may make reference to trademarks, registered trademarks, and other protected names and/or symbols of third-party companies not related in any way to StarTech.com. Where they occur these references are for illustrative purposes only and do not represent an endorsement of a product or service by StarTech.com, or an endorsement of the product(s) to which this manual applies by the third-party company in question. StarTech.com hereby acknowledges that all trademarks, registered trademarks, service marks, and other protected names and/or symbols contained in this manual and related documents are the property of their respective holders.

PHILLIPS® is a registered trademark of Phillips Screw Company in the United States or other countries.

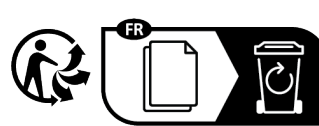
Warranty Information

This product is backed by a two-year warranty.

For further information on product warranty terms and conditions, please refer to www.startech.com/warranty.

Limitation of Liability

In no event shall the liability of StarTech.com Ltd. and StarTech.com USA LLP (or their officers, directors, employees or agents) for any damages (whether direct or indirect, special, punitive, incidental, consequential, or otherwise), loss of profits, loss of business, or any pecuniary loss, arising out of or related to the use of the product exceed the actual price paid for the product. Some states do not allow the exclusion or limitation of incidental or consequential damages. If such laws apply, the limitations or exclusions contained in this statement may not apply to you.



Points de collecte sur www.quefairedemesdechets.fr
Privilégiez la réparation ou le don de votre appareil !

StarTech.com Ltd.
45 Artisans Crescent
London, Ontario
N5V 5E9
Canada

StarTech.com LLP
4490 South Hamilton
Road
Groveport, Ohio
43125
U.S.A.

StarTech.com Ltd.
Unit B, Pinnacle 15
Gowerton Road
Brackmills,
Northampton
NN4 7BW
United Kingdom

StarTech.com Ltd.
Siriusdreef 17-27
2132 WT Hoofddorp
The Netherlands

FR: startech.com/fr
DE: startech.com/de
ES: startech.com/es
NL: startech.com/nl
IT: startech.com/it
JP: startech.com/jp