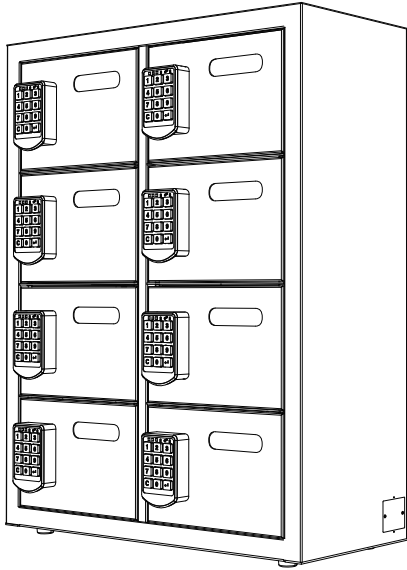
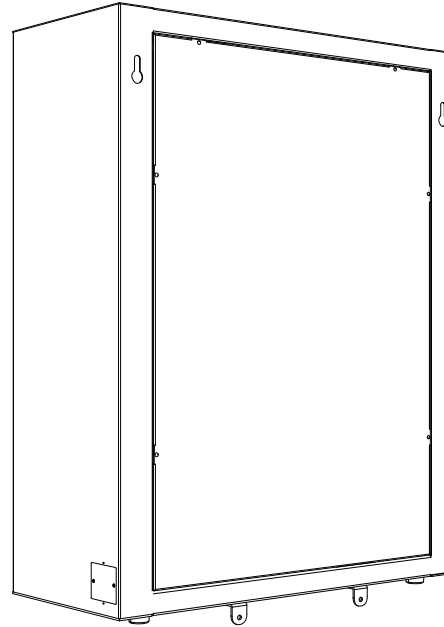


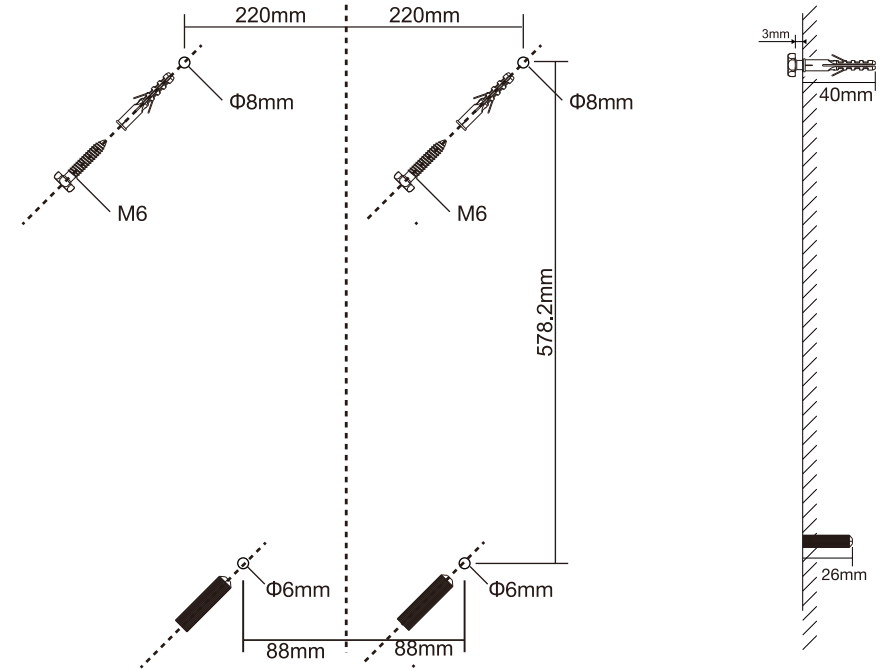
8 Bay Cell Phone Charging Locker



A1 INSTALLATION

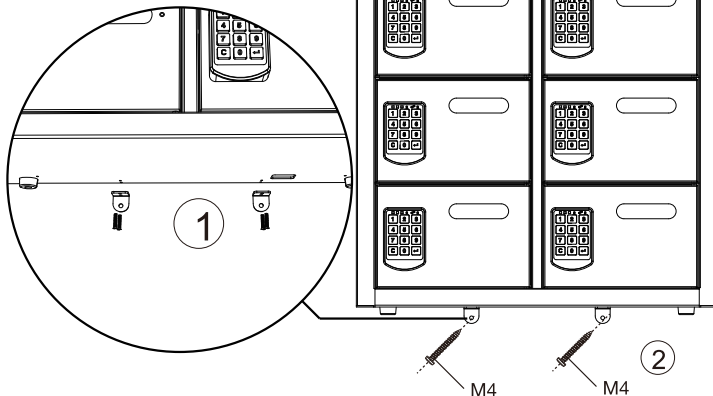


Drill 2x $\Phi 6$ mm holes & 2x $\Phi 8$ mm holes on wall according to the drawing.
Fix 2 x expansion screws leaving 3mm off the wall.

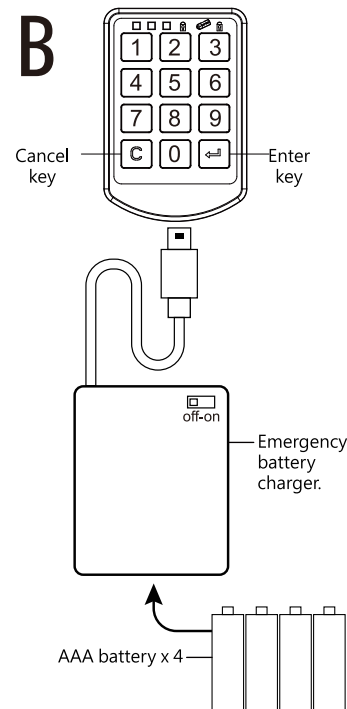


A2

- Fix 2 x L metal pieces at the bottom with 4 x M3 screws.
- Hang the Locker onto the 2x M6 screws. Fix the bottom 2 x M4 screws to secure the unit in place.



B



UNLOCK THE DOOR WHEN FIRST TIME USING

- Put in AAA battery x 4 to the Emergency battery charger.
- Charge door locks at the bottom to activate the locker.
- Type "0000" and Enter to unlock the pin code locker.

Admin Pin Code

Default Admin Pin Code "00000000"

Admin Pin Code can be formed of 4 to 10 digits. It remains effective after power off.

Change of Admin Pin Code

Press and hold Enter for 5 seconds. > Yellow LED starts flashing. > Input old Admin Pin Code. > Press Enter. > Input new Admin Pin Code. > Press Enter to confirm. > Green LED light up and beeper sound to confirm.

Pin Code Protection

When several pin code attempt failed. Yellow LED flash 4 times and the system will lock up for a minute.

Low Battery Alarm

When RED flashes indicate the system could operate for another 100 times. Please change batteries soon.

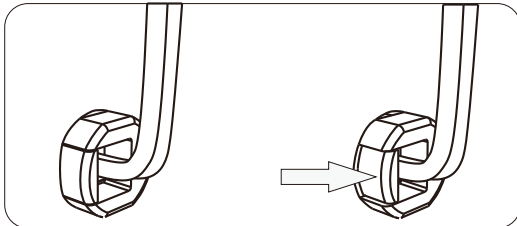
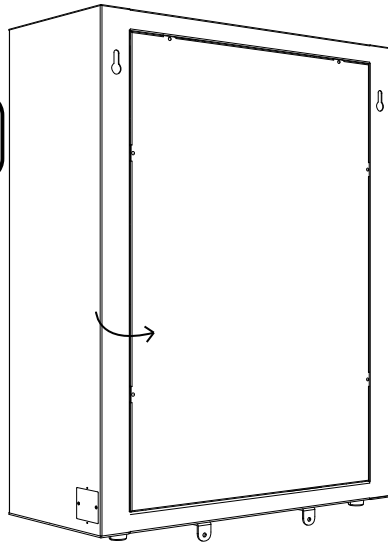
Emergency lock open

- When admin pin code is forgotten, please contact supplier with the lock's serial no. (printed on a label next to the mini USB slot).
- When run out of battery, please use emergency power pack to supply electricity to the system
- When system fail. Please open locker from the back of the unit.

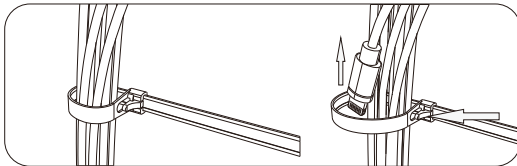
C

REPLACING CHARGING CABLES

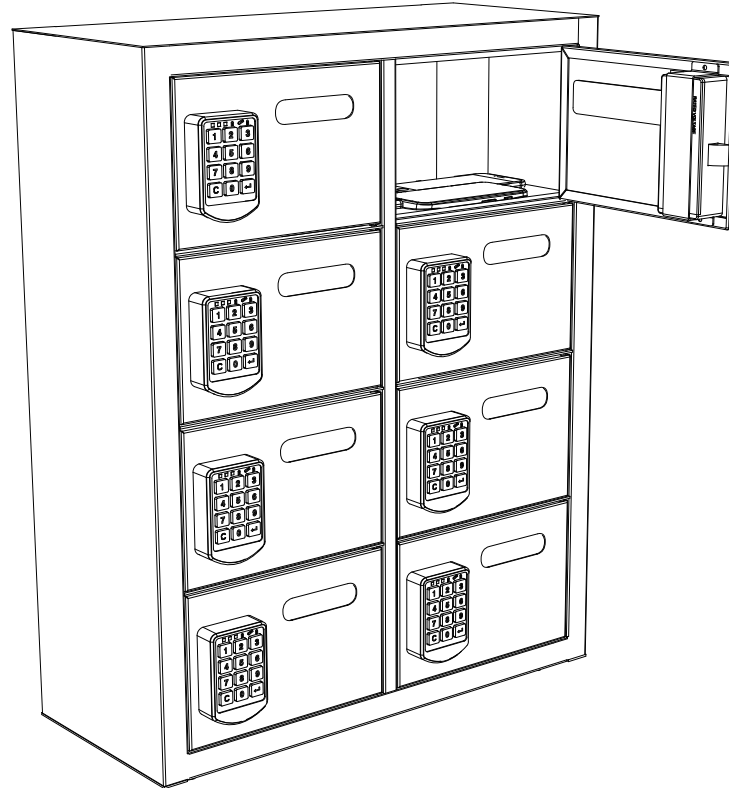
1. Open back door



2. Open cable clamp by pushing the side piece toward inside

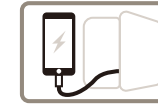


3. Loosen cable tie by lifting the hook.



D

INSTRUCTIONS



1 Open any available locker door, connect your phone to the charging cable.



2 Close the locker door. Enter an unique self-default 4 digit pin code, then press "Enter" to lock the door.



3 To unlock the door, simply enter your unique self-default 4 digit pin code.

SPECIFICATIONS

Weight:
22kg

Dimensions:
485(W)×639.5(H)×205(D) mm

WARNING



CAUTION
RISK OF ELECTRIC SHOCK
DO NOT DISASSEMBLE DEVICE

Notes on Use

- To prevent fire or shock hazard, do not expose the device to rain or moisture.
- To avoid electric shock please do not disassemble the device.
- If trouble occurs, immediately disconnected the device from wall socket.

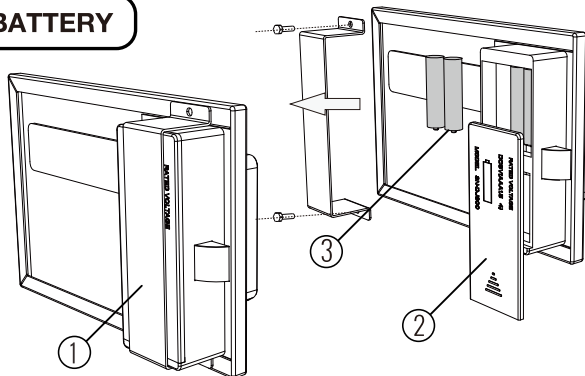
Maintenance

- Wipe the device with a soft dry cloth to prevent dust build up.
- If the device is very dirty, use a cloth with a bit of neutral solvent to clean it.
- Keep the device away from strong volatile solvents or chemicals, such as thinner, benzene, alcohol, pesticide, rubber or vinyl plastic etc, which may lead to deterioration or damage to your device.

E

CHANGE OF BATTERY

1. Remove battery cover metal holder.
2. Remove battery cover.
3. Replace new batteries.
4. Secure the battery cover and the metal holder back.



F

EMERGENCY

- 1. When out of battery:**
Use emergency power pack to supply electricity to the unit.

- 2. Forgot Admin Password:**

Send manufacturer the serial number of the unit printed at the bottom. A master pin could be generated and given.

