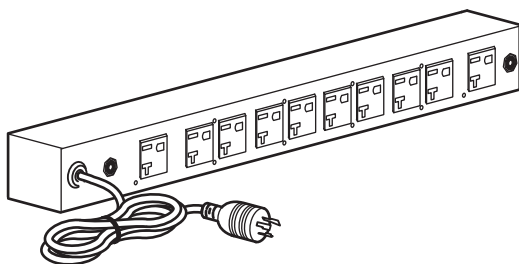


Installation

Basic Rack Power Distribution Units

AP9560

Publication Date: 12/2020
990-1202C



APC by Schneider Electric Legal Disclaimer

The information presented in this manual is not warranted by APC by Schneider Electric to be authoritative, error free, or complete. This publication is not meant to be a substitute for a detailed operational and site specific development plan. Therefore, APC by Schneider Electric assumes no liability for damages, violations of codes, improper installation, system failures, or any other problems that could arise based on the use of this Publication.

The information contained in this Publication is provided as is and has been prepared solely for the purpose of evaluating data center design and construction. This Publication has been compiled in good faith by APC by Schneider Electric. However, no representation is made or warranty given, either express or implied, as to the completeness or accuracy of the information this Publication contains.

IN NO EVENT SHALL APC BY SCHNEIDER ELECTRIC, OR ANY PARENT, AFFILIATE OR SUBSIDIARY COMPANY OF APC BY SCHNEIDER ELECTRIC OR THEIR RESPECTIVE OFFICERS, DIRECTORS, OR EMPLOYEES BE LIABLE FOR ANY DIRECT, INDIRECT, CONSEQUENTIAL, PUNITIVE, SPECIAL, OR INCIDENTAL DAMAGES (INCLUDING, WITHOUT LIMITATION, DAMAGES FOR LOSS OF BUSINESS, CONTRACT, REVENUE, DATA, INFORMATION, OR BUSINESS INTERRUPTION) RESULTING FROM, ARISING OUT, OR IN CONNECTION WITH THE USE OF, OR INABILITY TO USE THIS PUBLICATION OR THE CONTENT, EVEN IF APC BY SCHNEIDER ELECTRIC HAS BEEN EXPRESSLY ADVISED OF THE POSSIBILITY OF SUCH DAMAGES. APC BY SCHNEIDER ELECTRIC RESERVES THE RIGHT TO MAKE CHANGES OR UPDATES WITH RESPECT TO OR IN THE CONTENT OF THE PUBLICATION OR THE FORMAT THEREOF AT ANY TIME WITHOUT NOTICE.

Copyright, intellectual, and all other proprietary rights in the content (including but not limited to software, audio, video, text, and photographs) rests with APC by Schneider Electric or its licensors. All rights in the content not expressly granted herein are reserved. No rights of any kind are licensed or assigned or shall otherwise pass to persons accessing this information. This Publication shall not be for resale in whole or in part.

Contents

| | |
|--|----------|
| Safety and Grounding | 1 |
| Overview | 2 |
| AP9560 | 2 |
| Horizontal mounting | 3 |
| Vertical mounting | 4 |
| Life-Support Policy | 5 |
| General policy | 5 |
| Examples of life-support devices | 6 |
| Factory Warranty | 6 |
| Terms of warranty | 6 |
| Non-transferable warranty | 6 |
| Exclusions | 6 |
| Warranty claims | 7 |

General Information

Safety and Grounding

Read the following information before installing or operating your APC by Schneider Electric Rack Power Distribution Unit (PDU).

DANGER

HAZARD OF ELECTRIC SHOCK, EXPLOSION, OR ARC FLASH

- The device is intended to be installed and operated by a skilled person in a controlled location with restricted access.
- This PDU is intended for indoor use only.
- Do not install this PDU where excessive moisture or heat is present.
- Never install any wiring, equipment, or PDUs during a lightning storm.
- Plug this PDU into a three-wire, grounded power outlet only. The power outlet must be connected to appropriate branch circuit/mains protection (fuse or circuit breaker). Connection to any other type of power outlet may result in a shock hazard.
- Use only the supplied brackets for mounting.
- Do not use extension cords or adapters with this PDU.
- Do not work alone under hazardous conditions.
- Check that the power cord, plug, and socket are in good condition.
- To reduce the risk of electric shock when grounding cannot be verified, disconnect the PDU from the power outlet before installing or connecting equipment. Reconnect to the power outlet only after making all connections.
- Equipment must have a protective earth connector which carries the leakage current from the load devices (computer equipment). Do not exceed a total leakage current of 3.5 mA.

Failure to follow these instructions will result in death or serious injury.

NOTICE

EQUIPMENT DAMAGE HAZARD

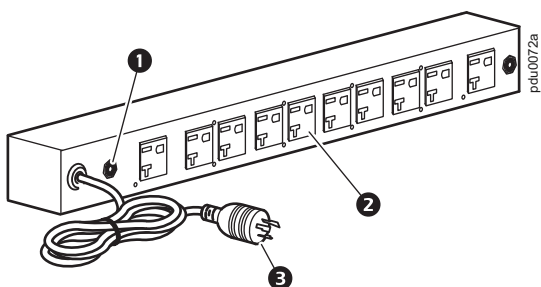
The ambient operating temperature of a closed or multi-unit rack environment may be greater than the ambient temperature of the room. Ensure the ambient operating temperature of your rack environment does not exceed the rated ambient operating temperature for the device.

Failure to follow these instructions can result in equipment damage.

Overview

The APC by Schneider Electric AP9560 is a 30 A rack-mount Power Distribution Unit (PDU) that provides 100-120 VAC power to rack-mount equipment.

AP9560



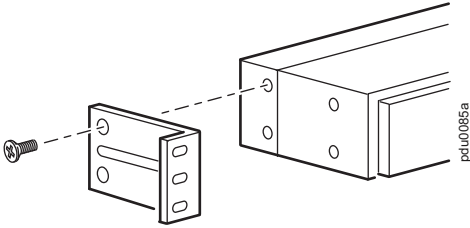
- ❶ 20 A circuit breakers (2)
- ❷ NEMA 5-20 outlets (10)
- ❸ 12-ft NEMA L5-30 power cord

Installation

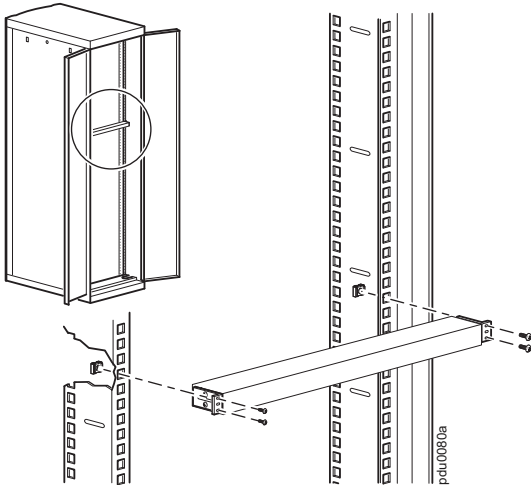
PDUs can be mounted in any standard EIA-310 rack or enclosure.

Horizontal mounting

1. Attach the horizontal mounting brackets (provided) to the PDU. Use only the supplied screws

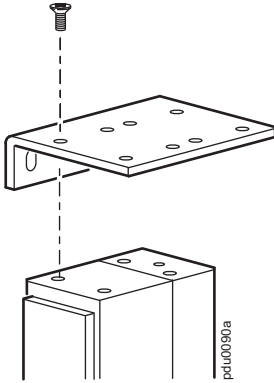


2. Install the PDU using the screws and caged nuts included with your rack or enclosure. The PDU will occupy 1 U-space.

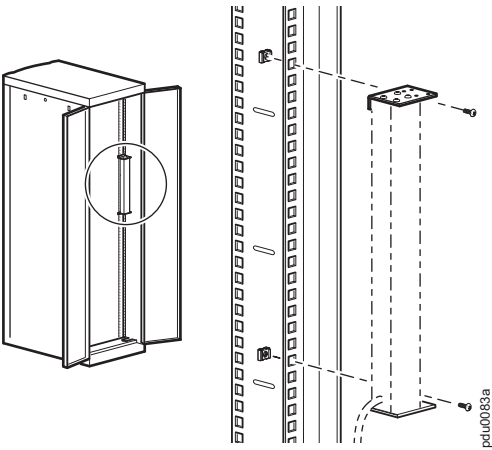


Vertical mounting

1. Attach the vertical-mounting brackets to the PDU.



2. Install the PDU on a vertical mounting rail in your rack or enclosure.



Specifications

Electrical

| | |
|---------------------|-------------------|
| Input voltage range | AP9560: 100–120 V |
|---------------------|-------------------|

| | |
|------------------|--------------|
| Max current draw | AP9560: 24 A |
|------------------|--------------|

Physical

| | |
|---------------------------|--|
| Dimensions (H × W × D) | 4.45 × 44.70 × 5.72 cm (1.75 × 17.60 × 2.25 in) |
|---------------------------|--|

| | |
|------------------------------------|--|
| Shipping dimensions (H × W × D) | 15.20 × 48.60 × 17.65 cm (6.00 × 19.12 × 6.95 in) |
|------------------------------------|--|

| | |
|--------|-----------------|
| Weight | 2.5 kg (5.5 lb) |
|--------|-----------------|

| | |
|-----------------|-----------------|
| Shipping weight | 3.6 kg (8.0 lb) |
|-----------------|-----------------|

Environmental

| | |
|-----------------------|----------------------|
| Elevation (above MSL) | |
| Operating | 3000 m (10,000 ft) |
| Storage | 15 000 m (50,000 ft) |

| | |
|-------------|----------------------------|
| Temperature | |
| Operating | –5 to 45°C (23 to 113°F) |
| Storage | –25 to 65°C (–13 to 149°F) |

| | |
|-----------|-----------------------|
| Humidity | |
| Operating | 5–95%, non-condensing |
| Storage | 5–95%, non-condensing |

Compliance

| | |
|--------|-------|
| Safety | cULus |
|--------|-------|

Life-Support Policy

General policy

APC by Schneider Electric does not recommend the use of any of its products in the following situations:

- In life-support applications where failure or malfunction of the APC by Schneider Electric product can be reasonably expected to cause failure of the life-support device or to affect significantly its safety or effectiveness.
- In direct patient care.

APC by Schneider Electric will not knowingly sell its products for use in such applications unless it receives in writing assurances satisfactory to APC by Schneider Electric that (a) the risks of injury or damage have been minimized, (b) the customer assumes all such risks, and (c) the liability of American Power Conversion is adequately protected under the circumstances.

Examples of life-support devices

The term *life-support device* includes but is not limited to neonatal oxygen analyzers, nerve stimulators (whether used for anesthesia, pain relief, or other purposes), autotransfusion devices, blood pumps, defibrillators, arrhythmia detectors and alarms, pacemakers, hemodialysis systems, peritoneal dialysis systems, neonatal ventilator incubators, ventilators (for adults and infants), anesthesia ventilators, infusion pumps, and any other devices designated as “critical” by the U.S. FDA.

Hospital-grade wiring devices and leakage current protection may be ordered as options on many APC UPS systems. APC does not claim that units with these modifications are certified or listed as hospital-grade by APC or any other organization. Therefore these units do not meet the requirements for use in direct patient care.

Factory Warranty

This warranty applies only to the products you purchase for your use in accordance with this manual.

Terms of warranty

APC by Schneider Electric warrants its products to be free from defects in materials and workmanship for a period of two years from the date of purchase. APC by Schneider Electric will repair or replace defective products covered by this warranty. This warranty does not apply to equipment that has been damaged by accident, negligence or misapplication or has been altered or modified in any way. Repair or replacement of a defective product or part thereof does not extend the original warranty period. Any parts furnished under this warranty may be new or factory-remanufactured.

Non-transferable warranty

This warranty extends only to the original purchaser who must have properly registered the product. The product may be registered at the APC by Schneider Electric website, www.apc.com.

Exclusions

APC by Schneider Electric shall not be liable under the warranty if its testing and examination disclose that the alleged defect in the product does not exist or was caused by end user's or any third person's misuse, negligence, improper installation or testing. Further, APC by Schneider Electric shall not be liable under the warranty for unauthorized attempts to repair or modify wrong or inadequate electrical voltage or connection, inappropriate on-site operation conditions, corrosive atmosphere, repair, installation, exposure to the elements, Acts of God, fire, theft, or installation contrary to APC by Schneider Electric recommendations or specifications or in any event if the APC by Schneider Electric serial number has been altered, defaced, or removed, or any other cause beyond the range of the intended use.

THERE ARE NO WARRANTIES, EXPRESS OR IMPLIED, BY OPERATION OF LAW OR OTHERWISE, OF PRODUCTS SOLD, SERVICED OR FURNISHED UNDER THIS AGREEMENT OR IN CONNECTION HEREWITH. APC BY SCHNEIDER ELECTRIC DISCLAIMS ALL IMPLIED WARRANTIES OF MERCHANTABILITY, SATISFACTION AND FITNESS FOR A PARTICULAR PURPOSE. APC BY SCHNEIDER ELECTRIC EXPRESS WARRANTIES WILL NOT BE ENLARGED, DIMINISHED, OR AFFECTED BY AND NO OBLIGATION OR LIABILITY WILL ARISE OUT OF, APC BY SCHNEIDER ELECTRIC RENDERING OF TECHNICAL OR OTHER ADVICE OR SERVICE IN CONNECTION WITH THE PRODUCTS. THE FOREGOING WARRANTIES AND REMEDIES ARE EXCLUSIVE AND IN LIEU OF ALL OTHER WARRANTIES AND REMEDIES. THE WARRANTIES SET FORTH ABOVE CONSTITUTE APC BY SCHNEIDER ELECTRIC'S SOLE LIABILITY AND PURCHASER'S EXCLUSIVE REMEDY FOR ANY BREACH OF SUCH WARRANTIES. APC WARRANTIES EXTEND ONLY TO PURCHASER AND ARE NOT EXTENDED TO ANY THIRD PARTIES.

IN NO EVENT SHALL APC BY SCHNEIDER ELECTRIC, ITS OFFICERS, DIRECTORS, AFFILIATES OR EMPLOYEES BE LIABLE FOR ANY FORM OF INDIRECT, SPECIAL, CONSEQUENTIAL OR PUNITIVE DAMAGES, ARISING OUT OF THE USE, SERVICE OR INSTALLATION, OF THE PRODUCTS, WHETHER SUCH DAMAGES ARISE IN CONTRACT OR TORT, IRRESPECTIVE OF FAULT, NEGLIGENCE OR STRICT LIABILITY OR WHETHER APC BY SCHNEIDER ELECTRIC HAS BEEN ADVISED IN ADVANCE OF THE POSSIBILITY OF SUCH DAMAGES. SPECIFICALLY, APC BY SCHNEIDER ELECTRIC IS NOT LIABLE FOR ANY COSTS, SUCH AS LOST PROFITS OR REVENUE, LOSS OF EQUIPMENT, LOSS OF USE OF EQUIPMENT, LOSS OF SOFTWARE, LOSS OF DATA, COSTS OF SUBSTITUTES, CLAIMS BY THIRD PARTIES, OR OTHERWISE.

NO SALESMAN, EMPLOYEE OR AGENT OF APC BY SCHNEIDER ELECTRIC IS AUTHORIZED TO ADD TO OR VARY THE TERMS OF THIS WARRANTY. WARRANTY TERMS MAY BE MODIFIED, IF AT ALL, ONLY IN WRITING SIGNED BY AN APC BY SCHNEIDER ELECTRIC OFFICER AND LEGAL DEPARTMENT.

Warranty claims

Customers with warranty claims issues may access the APC by Schneider Electric customer support network through the Support page of the APC by Schneider Electric website, www.apc.com/support. Select your country from the country selection pull-down menu at the top of the Web page. Select the Support tab to obtain contact information for customer support in your region.

Worldwide Customer Support

Customer support for this product is available at
www.apc.com.

© 2021 Schneider Electric. APC, the APC logo, and
InfraStruXure are trademarks owned by Schneider Electric
SE or its affiliates. All other trademarks may be property of
their respective owners.