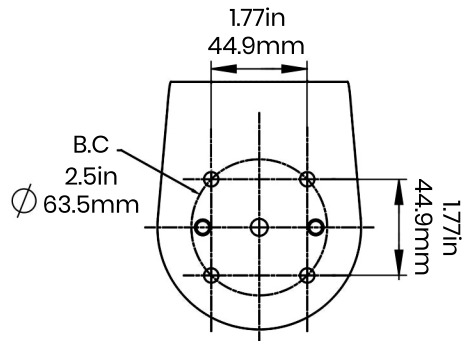
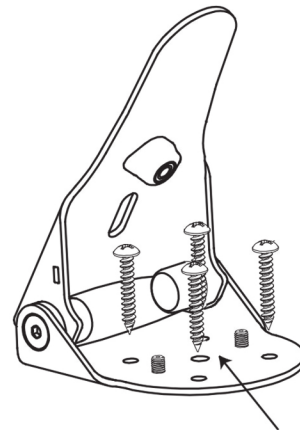


Fixed Mounting

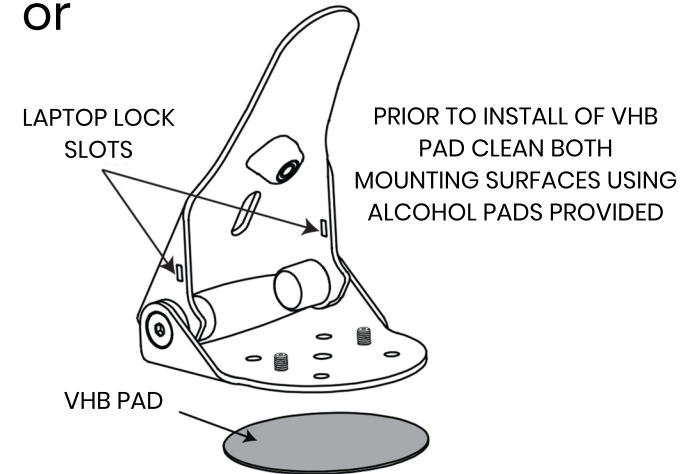


FIXED MOUNTING PATTERN

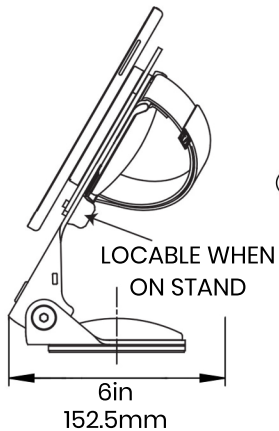


MOUNTING SCREWS NOT PROVIDED

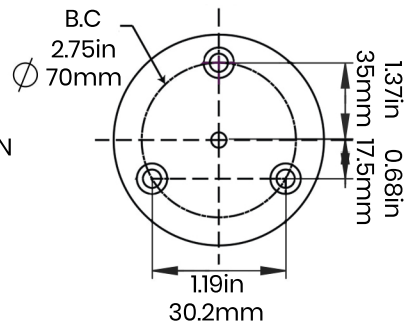
or



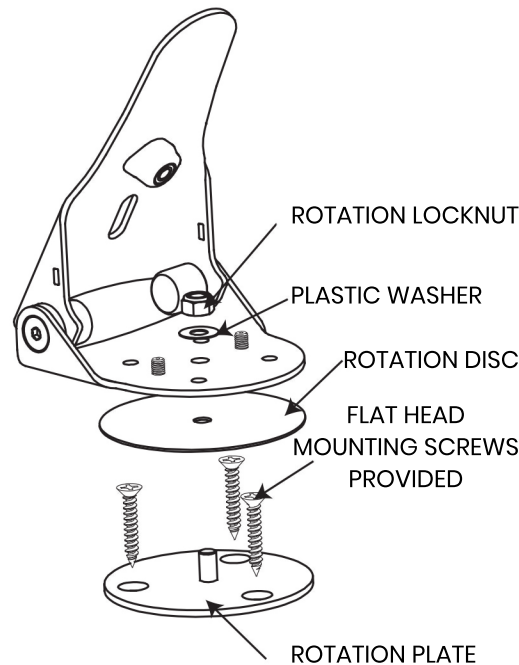
Rotation Mounting



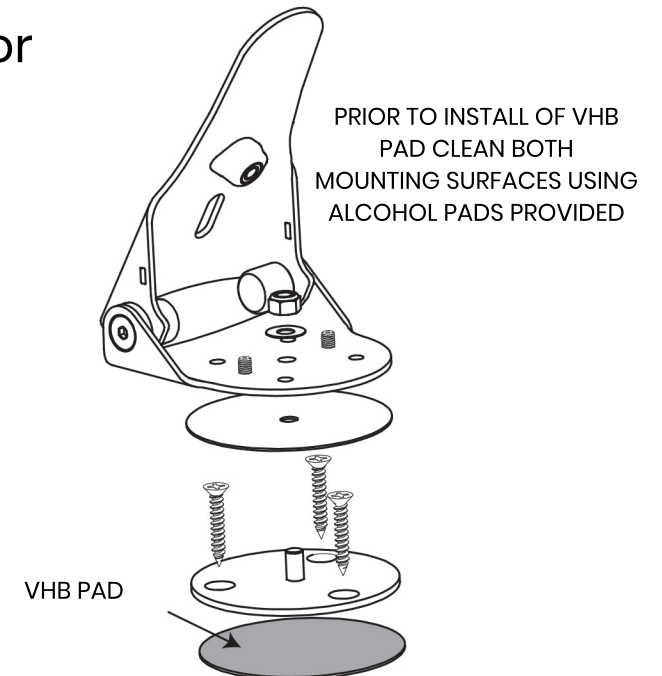
ROTATION CLEARANCE FOR BASE WITH 360 DEGREES OF ROTATION



ROTATION MOUNTING PATTERN

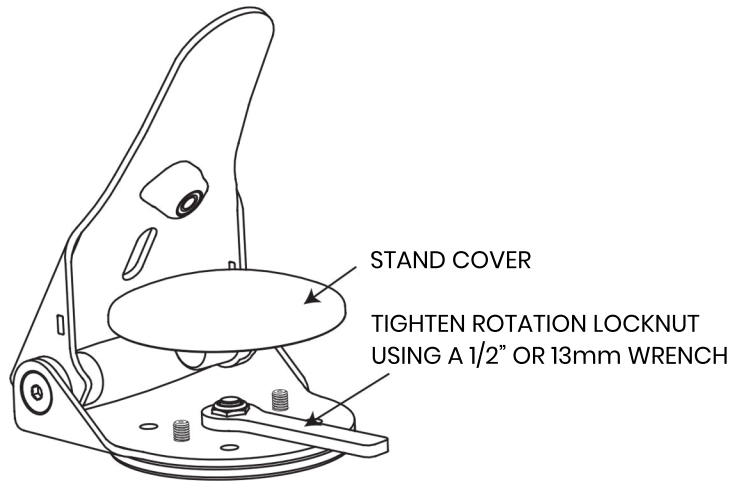


or

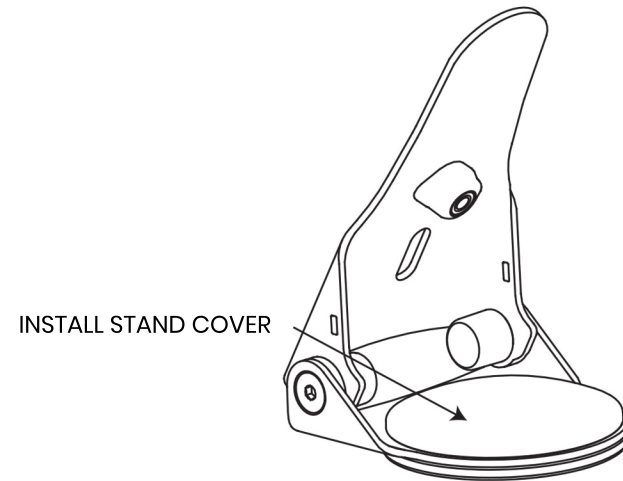


Stand Assembly Rotation

1

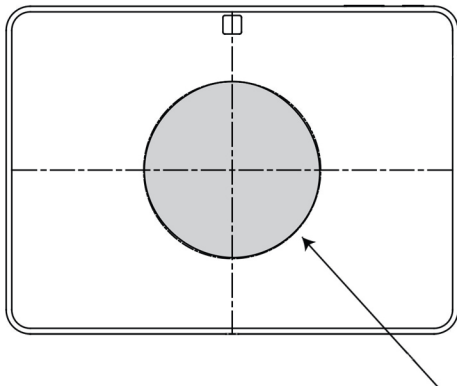


2



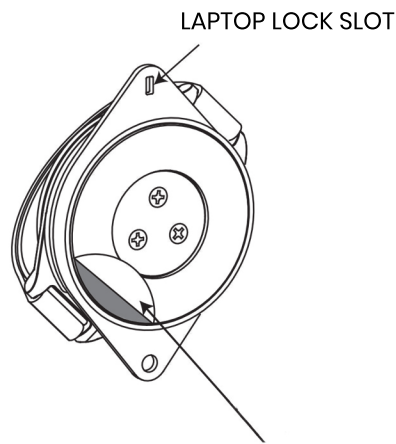
Tablet Bonding

1



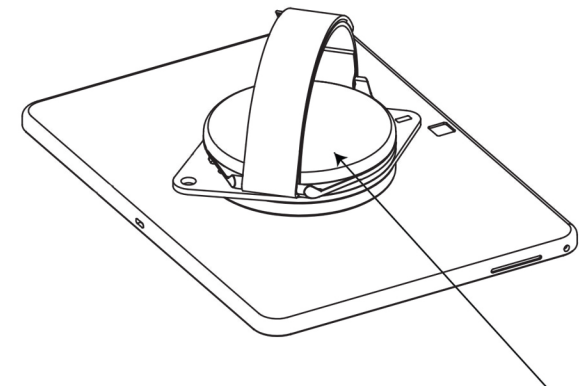
CLEAN A 3"/76.2mm DIAMETER SURFACE AREA CENTERED ON BACK OF YOUR TABLET WITH ALCOHOL PAD PROVIDED

2



PEEL COVER TO EXPOSE ADHESIVE PAD

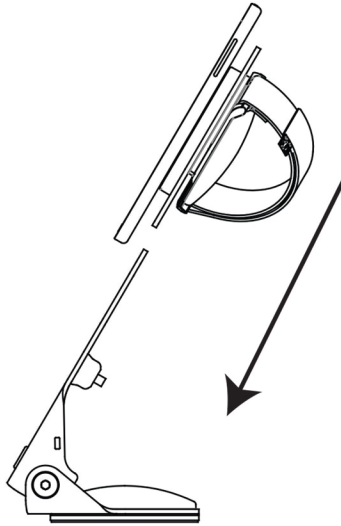
3



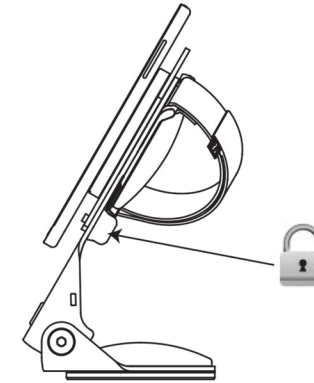
ADHERE GRIP TO BACK OF TABLET
LET BOND SIT FOR 12 HOURS
TO CURE AND BEST PERFORMANCE

Tablet Installation On Stand

1

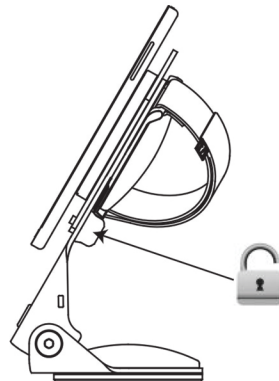


2



Tablet Removal From Stand

1



2

