

APC™ Smart-UPS™ Modular Ultra Input/Output wiring tray

The instructions remain the same for UPS frame with 125 A Input/Output wiring tray (SRYLFSU7) and UPS with 100 A Input/Output wiring tray (SYAFSU14).

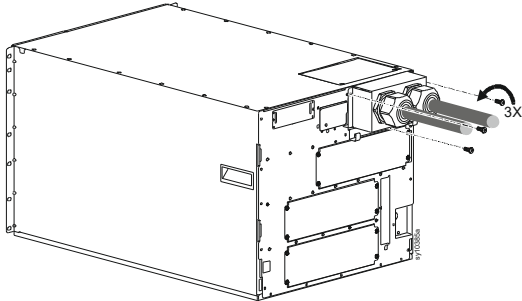
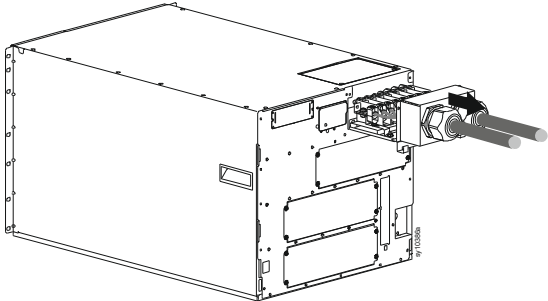
DANGER

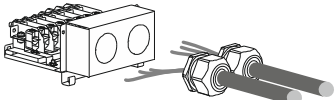
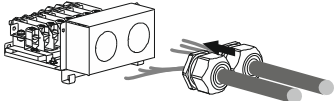
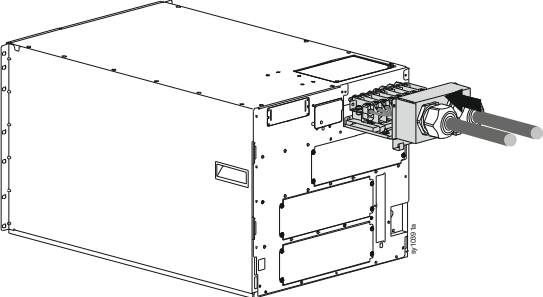
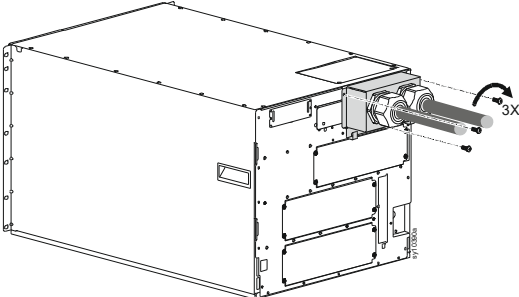
RISK OF ELECTRIC SHOCK

- The Input/Output wiring tray replacement must be done by a qualified service personnel.
- If system is wired to a Mains/Branch circuit breaker, set the breaker to Off position and apply the LOTO to the breaker panel.
- If the system is wired to a Service Bypass Unit (SBU), set the switch on the SBU to *Bypass* position and apply Lockout Tagout (LOTO) to the SBU switch.
- Turn off the UPS through the LCD Display. Use the “Turn off without delay” option. Refer to the UPS user manual for details.
- Set the SYSTEM ENABLE SWITCH to OFF position. Refer to the UPS user manual for details.
- Disconnect internal battery modules. Refer to the UPS user manual for details.
- Disconnect external battery pack (XBP), if connected.

Failure to follow these instructions will result in death or serious injury.

NOTE: UPS with 125 A Input/Output wiring tray is used for illustration purposes.

<p>1 Locate the screws securing the Input/Output wiring tray to the UPS frame and unfasten them.</p> <p>NOTE: 2 screws secure the 100 A Input/Output wiring tray and 3 screws secure the 125 A Input/Output wiring tray.</p>	
<p>2 Remove the Input/Output wiring tray.</p>	
<p>3 Loosen the screws securing the wires to the terminals and remove the wires from the terminal block.</p>	

4	Remove the strain reliefs (with the wires) from the wiring cover.	
5	Install the strain reliefs (with wires) on the wiring cover of the new Input/Output wiring tray.	
6	Secure the wires to the terminal block. Refer “Terminal Configuration” on page 2 for connection details. NOTE: Minimum tightening torque - 4.5 N m.	
7	Install the Input/output wiring tray in the UPS frame.	
8	Secure the Input/Output wiring tray to the UPS frame using the screws removed in step 1.	

Terminal Configuration

