

PA804UL & PA1004UL Installation Guide

Desktop and Ceiling Mount

Rev 1.1

Contents

Product Description, Lens Specs, Screen/Aspect Ratio	
Notes and Formulas	Pg. 1
Distance Charts and Formulas	Pg. 2-3
Ceiling Mount/Desktop Installation	Pg. 4
Lens Shift Adjustable Range	Pg. 5
Cabinet Dimensions	Pg. 6-9
Optional Lens Dimensions	Pg. 10
Ventilation Requirements/Portrait Requirements	Pg. 11
Regulatory Labels and Input Panel	Pg. 12
Control Codes	Pg. 13



Product Description

Type:	3 panel LCD projector, 0.76 p-Si TFT w/MLA	Dimensions: 23.6"(W) x 8.5"(H) x 19.3"(D)
		Weight: PA804UL: 53.1 lbs PA1004UL: 53.8 lbs
Resolution:	1920 x 1200 (16:10)	Brightness: PA804UL: 8,200 Lumens PA1004UL: 10,000 Lumens
Fan Noise:	PA804UL: 30 dB / 28dB @ 1 meter PA1004UL: 36 dB / 32dB @ 1 meter	
Power Consumption:	PA804UL: 675W (max) PA1004UL: 845W (max)	BTU's: PA804UL: 2295 BTU/hour PA1004UL: 2873 BTU/hour

Network Ready, integrated wired and wireless adapter
Manual: Lens Shift, Horizontal & Vertical /Zoom/ Focus using NP11FL, NP12ZL, NP13ZL, NP14ZL, NP15ZL

Lens Specifications

NP44ML-01LK :	Throw Ratio: 0.32:1 Screen Sizes: 100"-400"	Focal Length: 6.27mm F/#:2.0	Weight: 6.8lbs. / 3.1kg
NP11FL:	Throw Ratio: ~ 0.79:1 Screen Sizes: 40"-150"	Focal Length: 13.2mm F/#:2.3	Weight: 2.6lbs. / 1.2kg
NP12ZL:	Throw Ratio: 1.16 - 1.52:1 Screen Sizes: 30" - 500"	Focal Length: 19.4 – 25.3mm F/#:2.2 – 2.69	Weight: 2.6lbs. / 1.2kg
NP13ZL:	Throw Ratio: 1.46 – 2.95:1 Screen Sizes: 40" - 500"	Focal Length: 24.4 – 48.6mm F/#:1.7 – 2.37	Weight: 1.9lbs. / 0.84kg
NP14ZL:	Throw Ratio: 2.90 -4.64:1 Screen Sizes: 60" - 500"	Focal Length: 48.5 - 77.6mm F/#:2.2 -2.64	Weight: 2.2lbs. / 1.0kg
NP15ZL:	Throw Ratio: 4.59 – 7.02:1 Screen Sizes: 60"-500"	Focal Length: 76.6 –116.5mm F/#:2.2 -2.7	Weight: 2.2lbs. / 1.0kg
NP40ZL:	Throw Ratio: 0.79 – 1.11:1 Screen Sizes: 50"-500"	Focal Length: 13.3 – 18.6mm F/#:2.0 - 2.5	Weight: 3.5lbs. / 1.6kg
NP41ZL:	Throw Ratio: 1.30 – 3.02:1 Screen Sizes: 50" - 500"	Focal Length: 21.8 – 49.8mm F/#:1.7 – 2.0	Weight: 3.7lbs. / 1.7kg
NP43ZL:	Throw Ratio: 2.99 – 5.93:1 Screen Sizes: 50"-500"	Focal Length: 49.7 – 99.8mm F/#:2.2 -2.6	Weight: 3.7lbs. / 1.7kg

Screen/Aspect Ratio

4:3, 16:9 and 16:10 screens are fully supported with proper aspect ratio control for both type sources using NEC developed scaling technology. Menu selections have settings for each screen type and aspect ratio control for each source type.

Notes

- For screen sizes not indicated on the projection tables, use the formulas below.
- If the figures on the tables do not match the results of formulas, use the figures in the table.
- Distances are in inches, for millimeters multiply by 25.4.
- Distances may vary ±5%.

PA804UL & PA1004UL Installation Guide

Desktop and Ceiling Mount

Rev 1.1

Formulas: 16:10 Aspect Ratio (WUXGA)

The Projection Formulas use the image width for calculation. Image width is the same for all aspect ratios, only vertical image size varies. For proper projector placement, determine the image width for a desired screen size. Use the Screen Formulas below to calculate all screen dimensions. Plug in the image width for "W" in the Projection Formulas.

Refer to the diagrams and charts for popular screen sizes on page 2 and 3:

Projection Formulas:

- NP11FL:** C = 0.807W – 1.354
- NP12ZL:** C(Wide) = 1.185W – 1.794 ----- C(Tele) = 1.541W – 1.794
- NP13ZL:** C(Wide) = 1.488W – 1.974 ----- C(Tele) = 2.970W – 1.972
- NP14ZL:** C(Wide) = 2.961W – 4.844 ----- C(Tele) = 4.737W – 4.844
- NP15ZL:** C(Wide) = 4.681W – 7.630 ----- C(Tele) = 7.115W – 7.630
- NP40ZL:** C(Wide) = 0.807W – 1.535 ----- C(Tele) = 1.131W – 1.632
- NP41ZL:** C(Wide) = 1.323W – 1.763 ----- C(Tele) = 3.034W – 1.539
- NP43ZL:** C(Wide) = 2.929W + 5.143 ----- C(Tele) = 5.878W + 4.320

Horizontal Lens Shift Max (Right) = 0.30W (NP12ZL, NP13ZL, NP14ZL, NP15ZL)

Horizontal Lens Shift Max (Left) = 0.30W (NP12ZL, NP13ZL, NP14ZL, NP15ZL)

Horizontal Lens Shift Max (Right) = 0.30W (NP40ZL, NP41ZL, NP43ZL)

Horizontal Lens Shift Max (Left) = 0.30W (NP40ZL, NP41ZL, NP43ZL)

Definitions:

- W = Image Width
- H = Image Height (size)
- C = Throw distance

16:10 Screen Formulas

- W = H x 16/10
- H = W x 10/16
- Diagonal = W x 18.868/16

Screen Size (16:10)			Rear Lens	Zoom Lenses																
Diagonal	Width(W)	Height (H)	NP11FL	NP12ZL	NP13ZL	NP14ZL	NP15ZL	NP40ZL	NP41ZL	NP43ZL										
inches	inches	inches	inches	inches	inches	inches	inches	inches	inches	inches	inches	inches	inches	inches	inches	inches	inches	inches	inches	inches
0.79:1	1.16 - 1.52:1	1.46 - 2.95:1	2.90 - 4.64:1	4.60 - 7.02:1	0.79 - 1.11:1	1.30 - 3.02:1	2.99 - 5.93:1													
40	34	21	26.02	38.4 - 50.5	48.5 - 98.8	N/A - N/A	N/A - N/A	N/A - N/A	N/A - N/A	N/A - N/A	N/A - N/A	N/A - N/A	N/A - N/A	N/A - N/A	N/A - N/A	N/A - N/A	N/A - N/A	N/A - N/A	N/A - N/A	N/A - N/A
60	51	32	39.71	58.5 - 76.6	73.7 - 149.1	145.8 - 236.2	230.5 - 354.4	39.5 - 55.9	65.6 - 152.8	154.2 - 303.4										
67	57	36	44.50	65.5 - 85.8	82.6 - 166.8	163.4 - 264.3	258.3 - 396.6	44.3 - 62.6	73.4 - 170.8	171.6 - 338.3										
72	61	38	47.92	70.6 - 92.3	88.9 - 179.4	175.9 - 284.4	278.2 - 426.8	47.7 - 67.4	79.0 - 183.7	184.0 - 363.2										
84	71	45	56.13	82.6 - 108.0	104.0 - 209.6	206.1 - 332.6	325.8 - 499.2	55.9 - 78.9	92.5 - 214.6	213.8 - 423.0										
94	80	50	62.97	92.7 - 121.0	116.6 - 234.8	231.2 - 372.8	365.5 - 559.5	62.8 - 88.5	103.7 - 240.3	238.6 - 472.9										
100	85	53	67.08	98.7 - 128.9	124.2 - 249.9	246.2 - 396.9	389.3 - 595.7	66.9 - 94.3	110.4 - 255.7	253.5 - 502.8										
120	102	64	80.77	118.8 - 155.0	149.4 - 300.3	296.5 - 477.2	468.7 - 716.4	80.6 - 113.5	132.9 - 307.2	303.2 - 602.5										
150	127	79	N/A	148.9 - 194.2	187.3 - 375.8	371.8 - 597.7	587.8 - 897.4	101.1 - 142.2	166.5 - 384.4	377.7 - 752.0										
180	153	95	N/A	179.1 - 233.4	225.2 - 451.4	447.1 - 718.2	706.9 - 1078.4	121.6 - 171.0	200.2 - 461.6	452.2 - 901.5										
210	178	111	N/A	209.2 - 272.6	263.0 - 526.9	522.4 - 838.7	826.0 - 1259.4	142.2 - 199.8	233.8 - 538.8	526.7 - 1051.1										
240	204	127	N/A	239.4 - 311.8	300.9 - 602.5	597.8 - 959.2	945.0 - 1440.4	162.7 - 228.5	267.5 - 615.9	601.3 - 1200.6										
270	229	143	N/A	269.5 - 351.0	338.7 - 678.0	673.1 - 1079.7	1064.1 - 1621.4	183.2 - 257.3	301.1 - 693.1	675.8 - 1350.1										
300	254	159	N/A	299.7 - 390.2	376.6 - 753.6	748.4 - 1200.2	1183.2 - 1802.4	203.8 - 286.1	334.8 - 770.3	750.3 - 1499.7										
400	339	212	N/A	400.2 - 520.9	502.8 - 1005.4	999.5 - 1601.9	1580.2 - 2405.8	272.2 - 382.0	447.0 - 1027.6	998.7 - 1998.1										
500	424	265	N/A	500.6 - 651.6	628.9 - 1257.3	1250.6 - 2003.6	1977.1 - 3009.1	340.6 - 477.9	559.2 - 1284.9	1247.0 - 2496.6										

Note: For screen sizes not indicated in projection tables, refer to formulas above respective charts.

PA804UL & PA1004UL Installation Guide

Desktop and Ceiling Mount

Rev 1.1

Formulas: 16:10 Aspect Ratio (WUXGA)

The Projection Formulas use the image width for calculation. Image width is the same for all aspect ratios, only vertical image size varies. For proper projector placement, determine the image width for a desired screen size. Use the Screen Formulas below to calculate all screen dimensions. Plug in the image width for "W" in the Projection Formulas. Refer to the diagrams and charts for popular screen sizes on page 2 and 3:

Projection Formulas:

NP44ML-01LK: $A = (0.339 * W) - 25.2$
 $B = ((0.844 * W) + 6.614) - (0.5 * H)$
 $C = (0.339 * W) - 1.333$
 $D = (0.219 * W) - 1.791$
 $E = (0.219 * W) + 6.562$

Definitions:

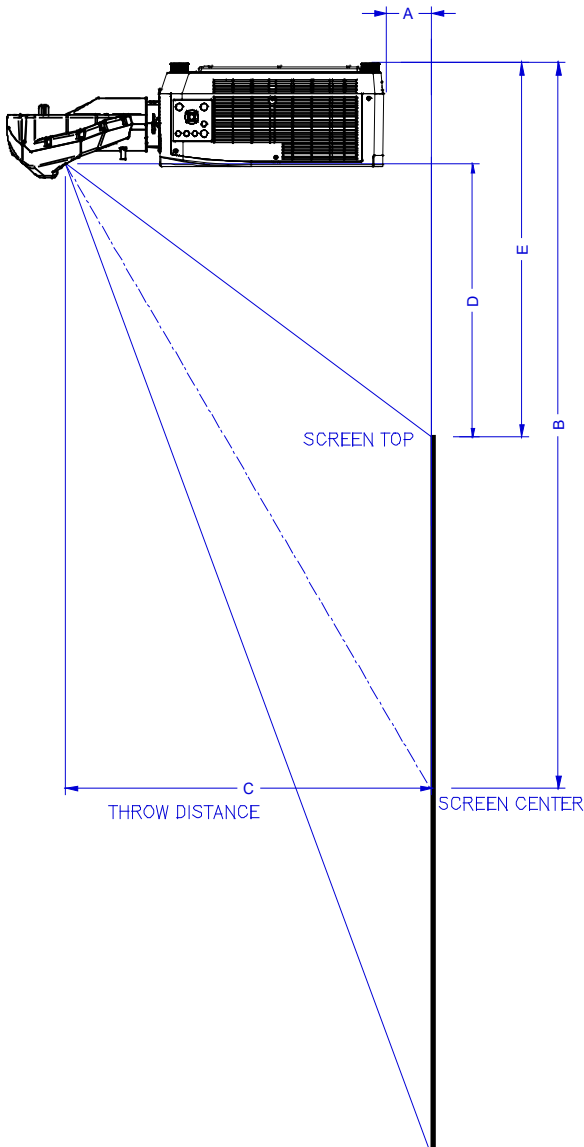
W = Image Width
 H = Image Height (size)
 C = Throw distance

16:10 Screen Formulas

$W = H \times 16/10$
 $H = W \times 10/16$
 Screen Diagonal = $W \times 18.868/16$

Distance Chart for popular 16:10 Screens (WUXGA)

NP44ML-01LK Installation



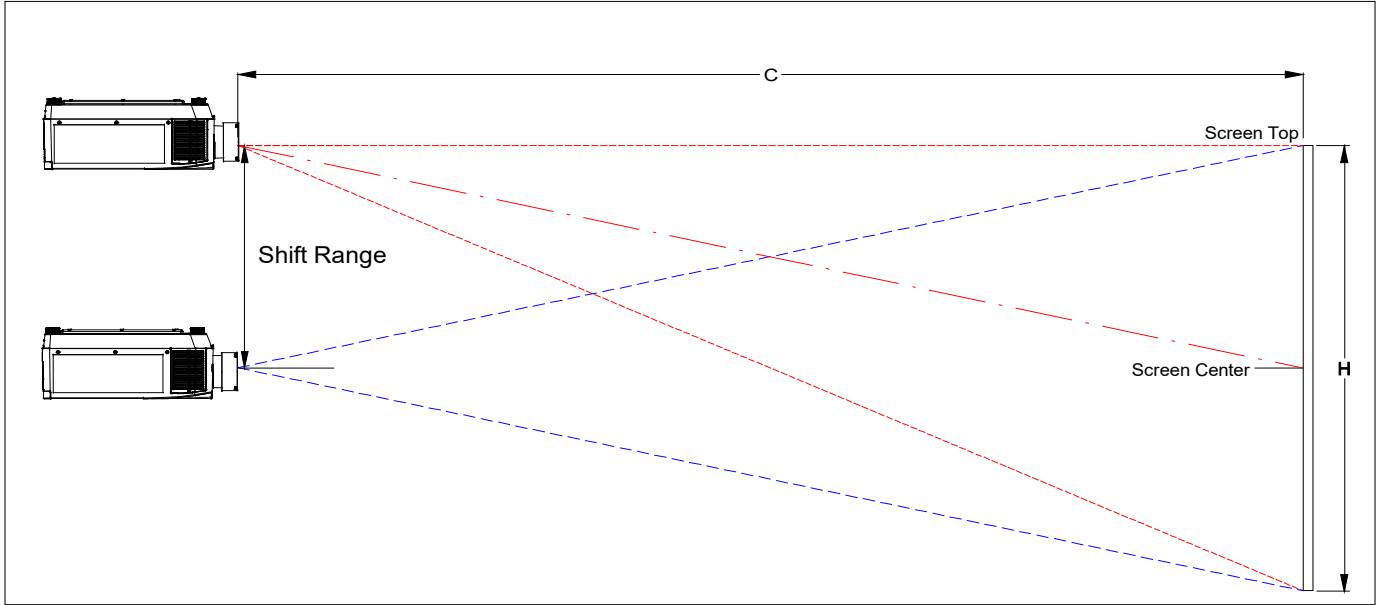
Screen Size (16:10)			A	B	C	D	E
Diagonal	Width(W)	Height (H)					
inches	inches	inches	inches	inches	inches	inches	inches
108	92	57	5.8	55.3	29.7	18.3	26.6
113	96	60	7.3	57.5	31.2	19.2	27.5
130	110	69	12.2	65.2	36.0	22.4	30.7
137	116	73	14.2	68.4	38.1	23.7	32.0
164	139	87	21.9	80.5	45.8	28.7	37.0
189	160	100	29.1	91.8	53.0	33.3	41.7
208	176	110	34.6	100.4	58.5	36.8	45.2
226	192	120	39.8	108.5	63.6	40.2	48.5
270	229	143	52.4	128.3	76.3	48.4	56.7
300	254	159	61.0	141.8	84.9	53.9	62.3
350	297	185	75.4	164.4	99.3	63.2	71.6

PA804UL & PA1004UL Installation Guide

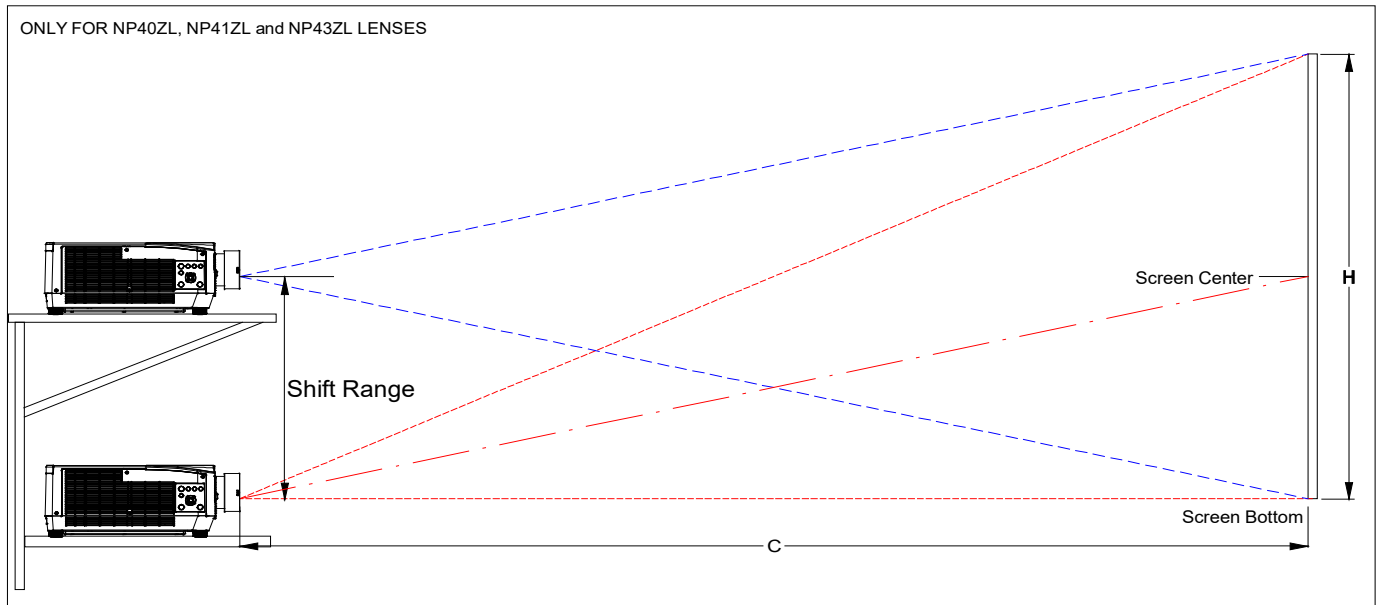
Desktop and Ceiling Mount

Rev 1.1

Ceiling Mount Installation



Desktop Installation



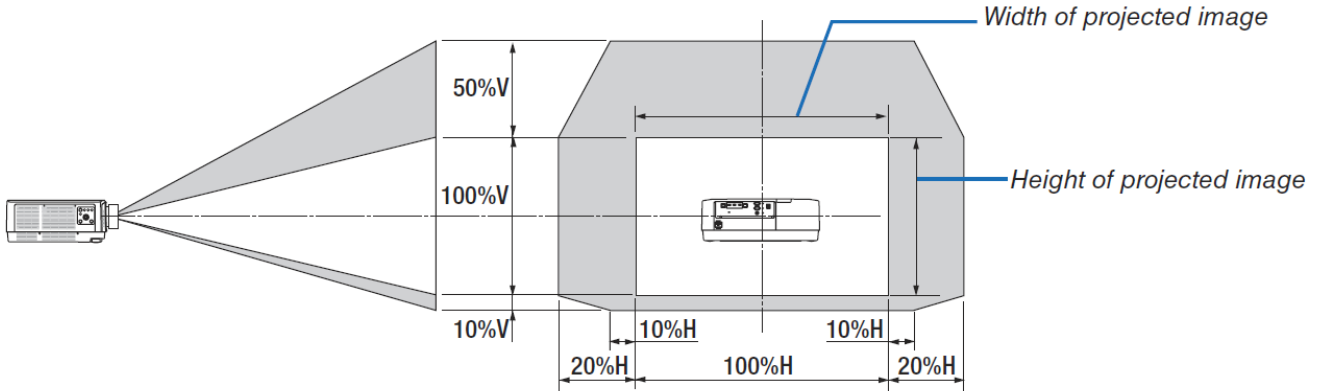
PA804UL & PA1004UL Installation Guide

Desktop and Ceiling Mount

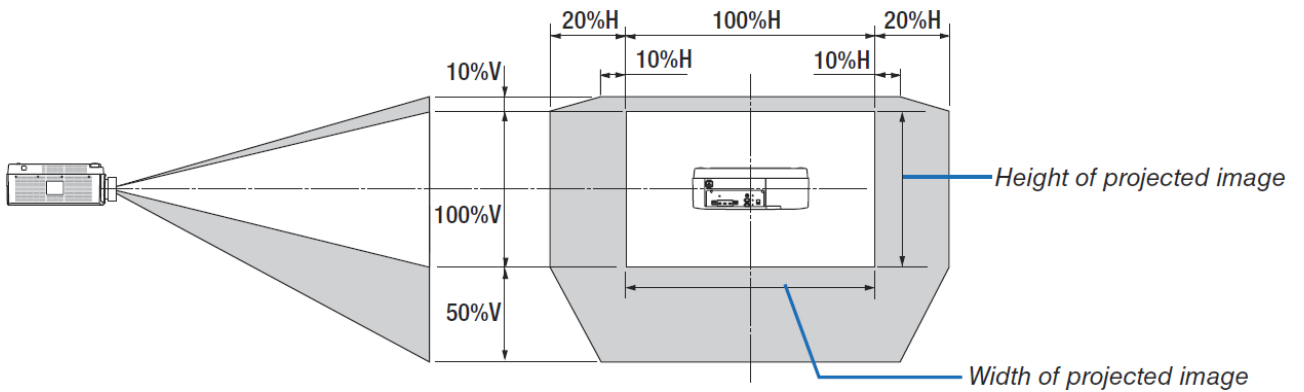
Rev 1.1

Lens Shift Adjustable Range

Desk/front projection



Ceiling/front projector



PA804UL & PA1004UL Installation Guide

Desktop and Ceiling Mount

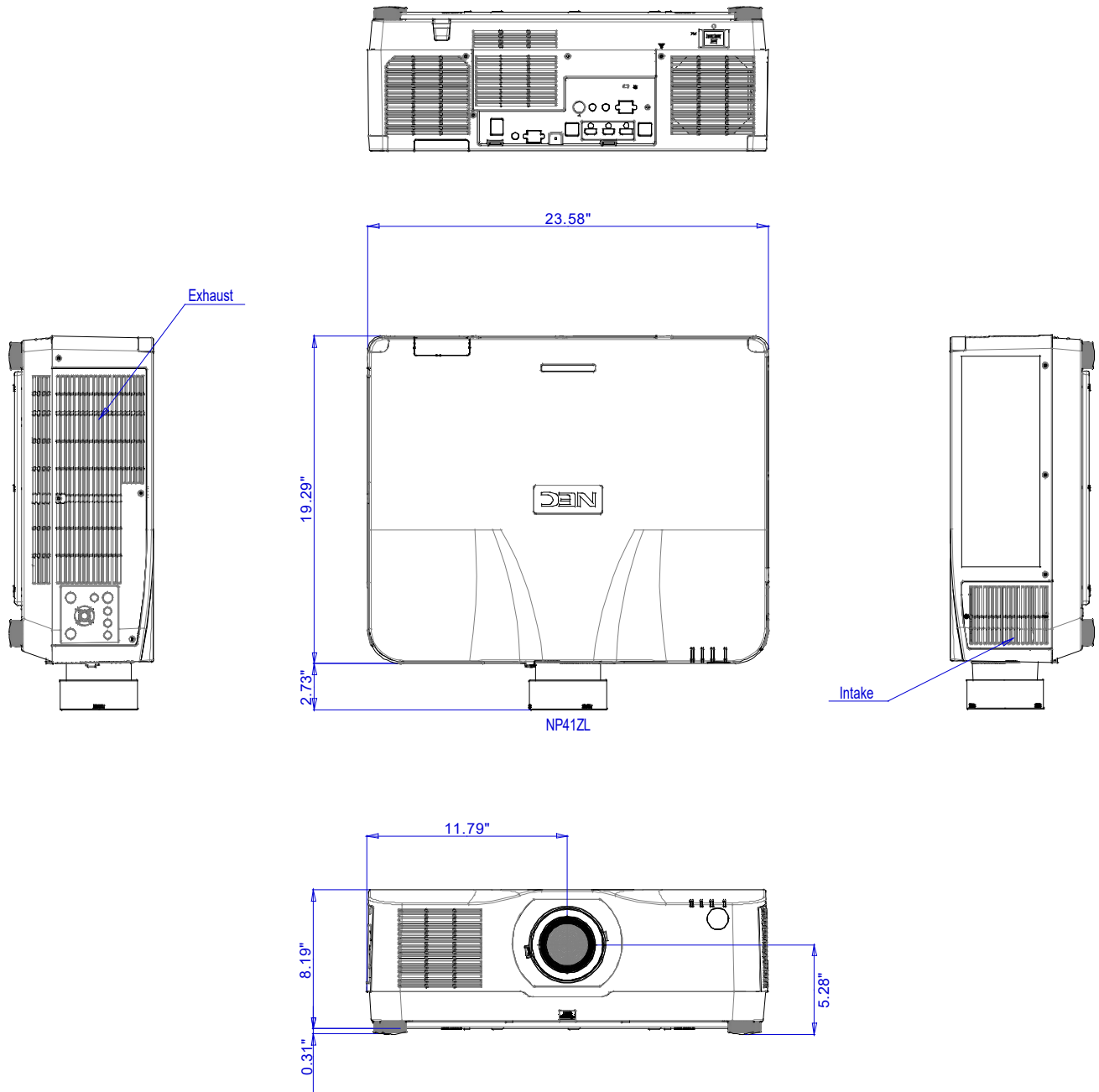
Rev 1.1

Cabinet Dimensions

The following diagrams show the cabinet dimensions for the PA804UL/PA1004UL.

Dimensions are in inches. For millimeters multiply by 25.4.

Note: Dimensions below shown with the NP41ZL lens

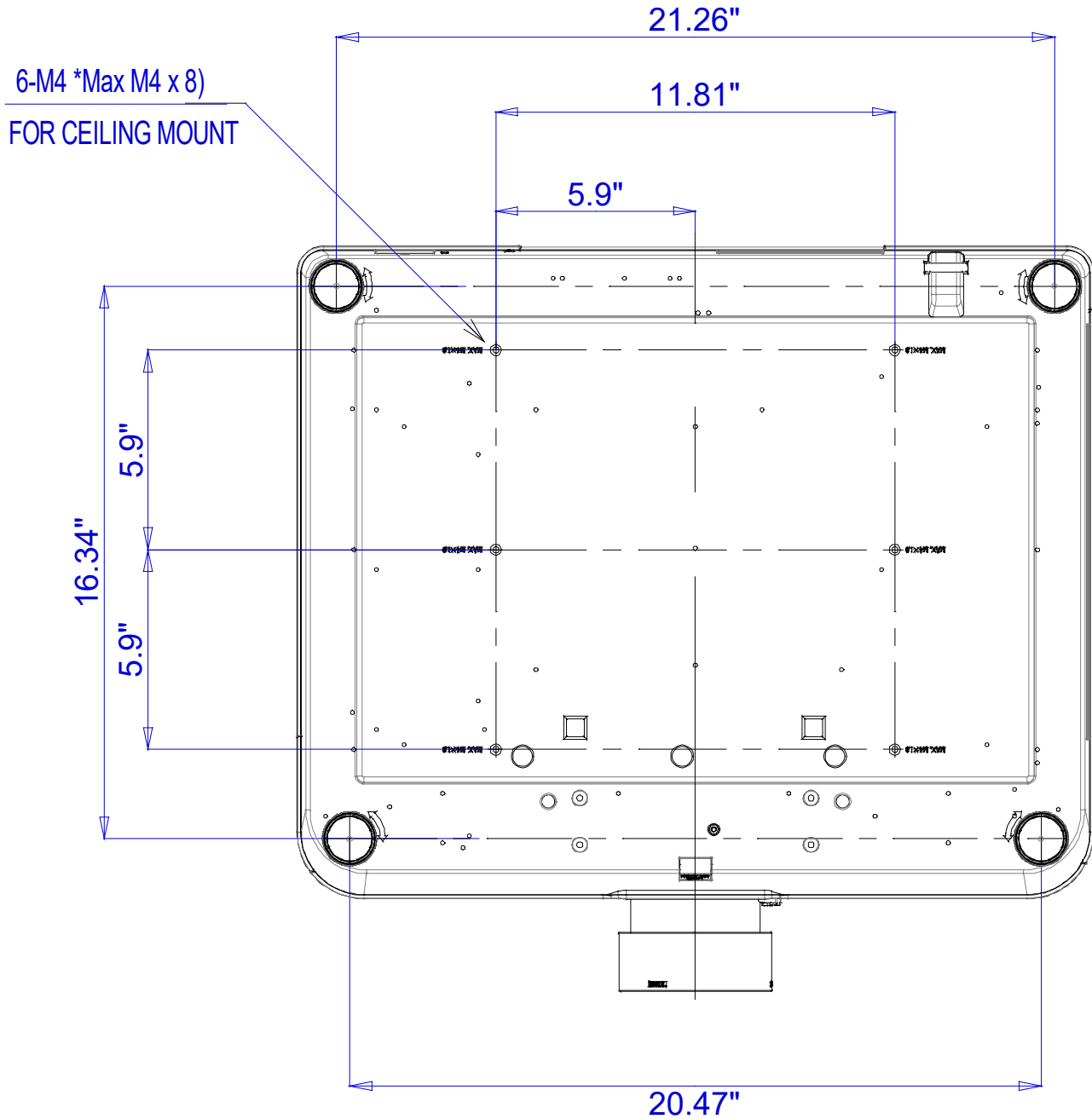


PA804UL & PA1004UL Installation Guide

Desktop and Ceiling Mount

Rev 1.1

Cabinet Dimensions



PA804UL & PA1004UL Installation Guide

Desktop and Ceiling Mount

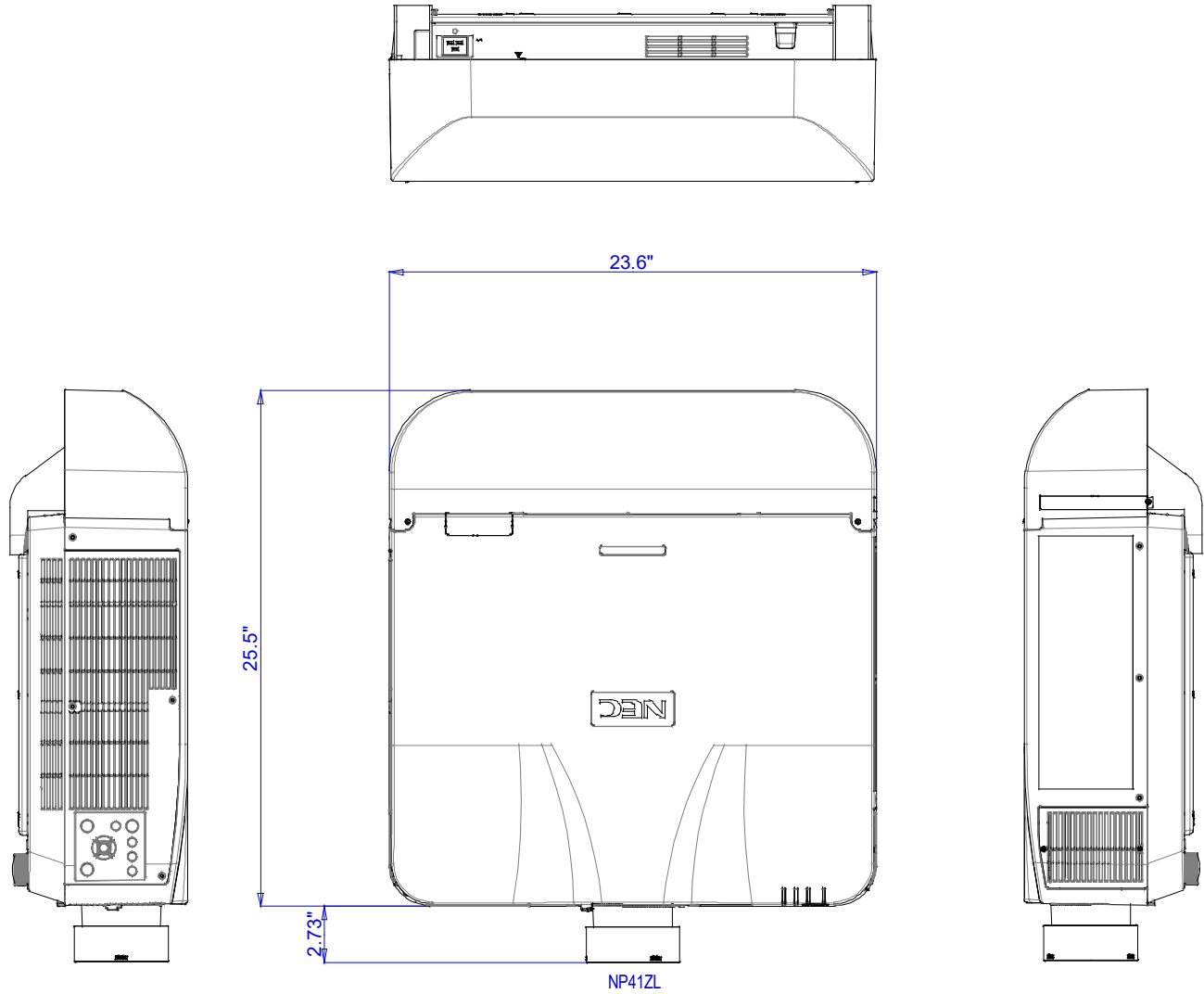
Rev 1.1

Cabinet Dimensions with Cable Cover

The following diagrams show the cabinet dimensions for the PA804UL/PA1004UL.

Dimensions are in inches. For millimeters multiply by 25.4.

Note: Dimensions below shown with the NP41ZL lens

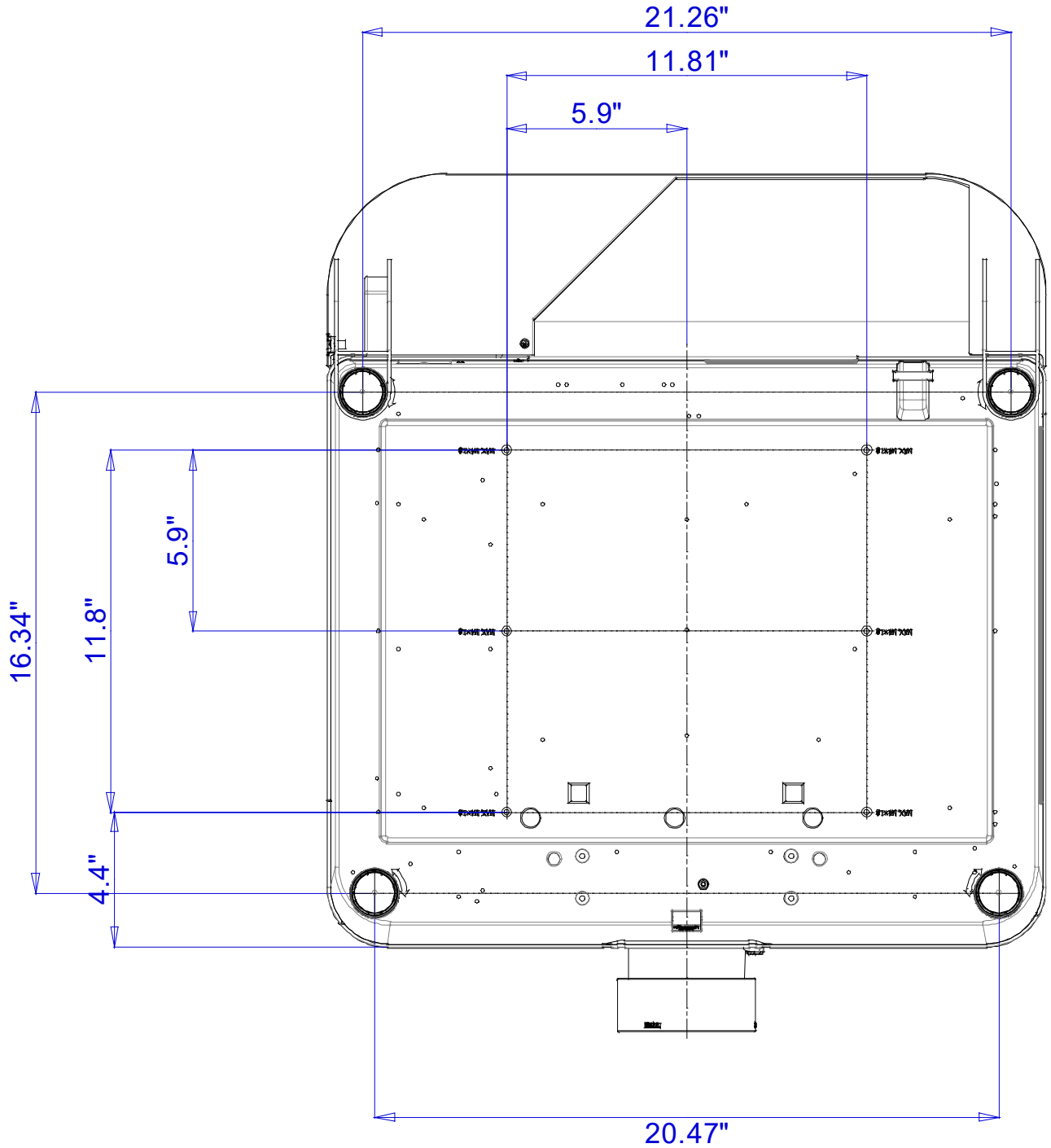


PA804UL & PA1004UL Installation Guide

Desktop and Ceiling Mount

Rev 1.1

Cabinet Dimensions with Cable Cover



PA804UL & PA1004UL Installation Guide

Desktop and Ceiling Mount

Rev 1.1

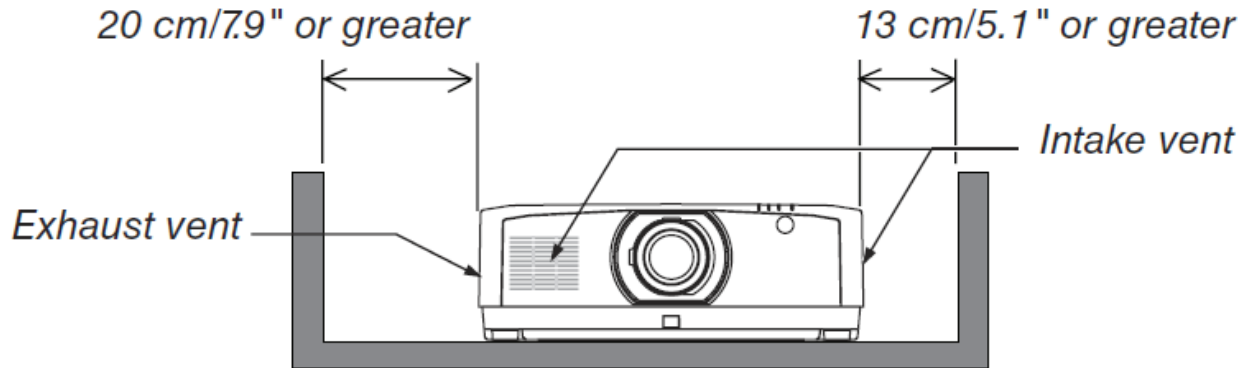
Optional Lens Dimensions (NP40ZL and NP43ZL)

PA804UL & PA1004UL Installation Guide

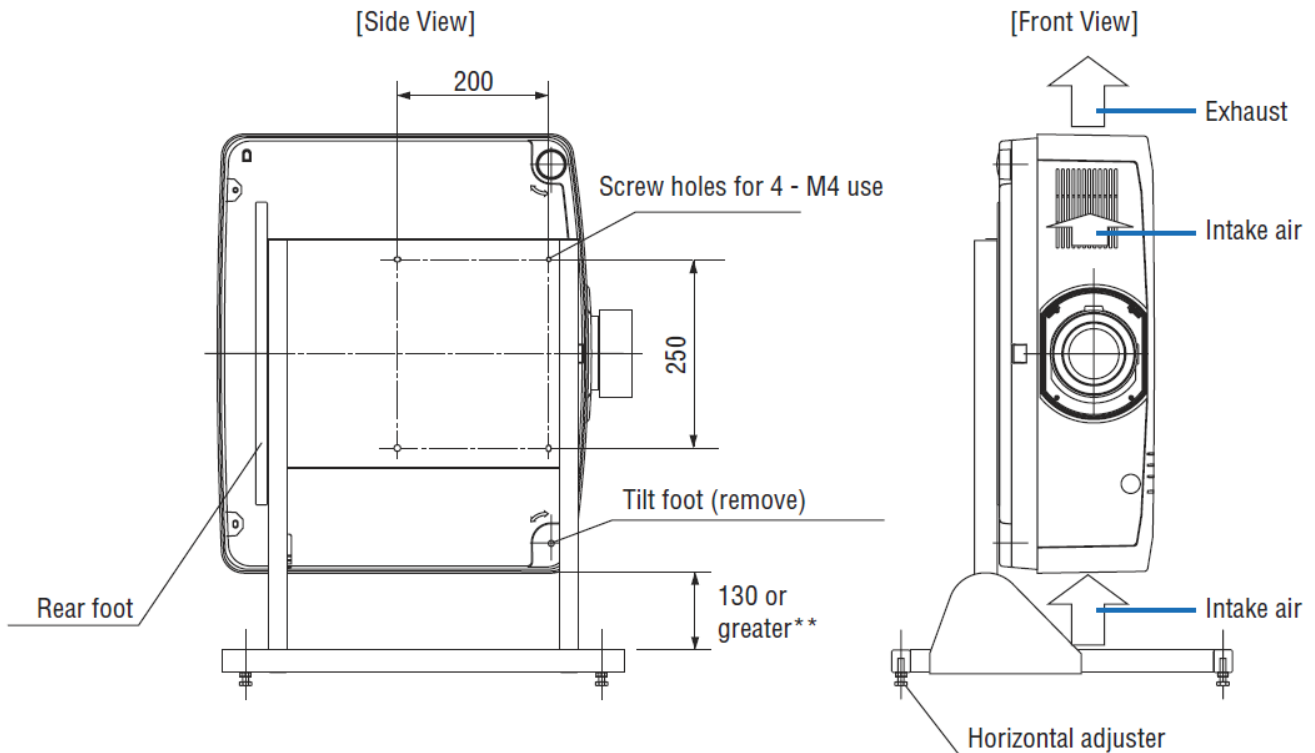
Desktop and Ceiling Mount

Rev 1.1

Ventilation Requirements



Portrait Requirements



PA804UL & PA1004UL Installation Guide

Desktop and Ceiling Mount

Rev 1.1

Regulatory Labels

Label 1



Label 2



Input Panel



PA804UL & PA1004UL Installation Guide

Desktop and Ceiling Mount

Rev 1.1

PC Control Codes

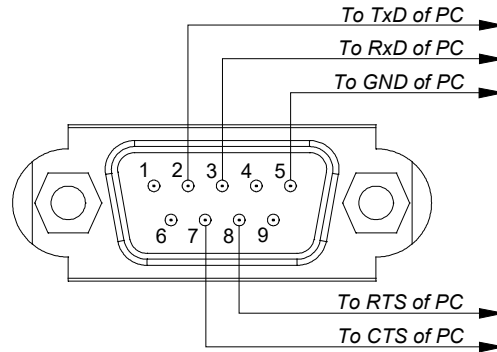
Function	Code Data									
POWER ON	02H	00H	00H	00H	00H	02H				
POWER OFF	02H	01H	00H	00H	00H	03H				
INPUT SELECT HDMI1	02H	03H	00H	00H	02H	01H	A1H	A9H		
INPUT SELECT HDMI2	02H	03H	00H	00H	02H	01H	A2H	AAH		
INPUT SELECT DisplayPort	02H	03H	00H	00H	02H	01H	A6H	AEH		
INPUT SELECT Computer	02H	03H	00H	00H	02H	01H	01H	09H		
INPUT SELECT HDBaseT	02H	03H	00H	00H	02H	01H	BFH	C7H		
PICTURE MUTE ON	02H	10H	00H	00H	00H	12H				
PICTURE MUTE OFF	02H	11H	00H	00H	00H	13H				
SOUND MUTE ON	02H	12H	00H	00H	00H	14H				
SOUND MUTE OFF	02H	13H	00H	00H	00H	15H				
ON SCREEN MUTE ON	02H	14H	00H	00H	00H	16H				
ON SCREEN MUTE OFF	02H	15H	00H	00H	00H	17H				
AUTO ADJUST	02H	0FH	00H	00H	02H	05H	00H	18H		

Cable Connection

Communication Protocol:

Baud Rate: 38400 bps (for cable lengths longer than 20', it is recommended changing to 9600 bps in setup menu)
 Data Length: 8 bits
 Parity: No Parity
 Stop Bit: 1 bit
 X on/off: None
 Communications: Full duplex

PC Control Connector (D-Sub 9P)



NOTE 1: Pins 1, 4, 6, and 9 are used inside the projector.

NOTE 2: For long cable runs it is recommended to set communication speed within the projector to 9600 bps.

NOTE 3: Jumper "Request to Send" and "Clear to Send" together on both ends of the cable to simplify cable connection.